

## HIN232, HIN236, HIN237, HIN238, HIN239, HIN240, HIN241

+5V Powered RS-232 Transmitters/Receivers

FN3138  
Rev 17.00  
August 6, 2015

The HIN232-HIN241 family of RS-232 transmitters/receivers interface circuits meet all EIA RS-232E and V.28 specifications, and are particularly suited for those applications where  $\pm 12V$  is not available. They require a single +5V power supply (except HIN239) and feature onboard charge pump voltage converters which generate +10V and -10V supplies from the 5V supply. The family of devices offer a wide variety of RS-232 transmitter/receiver combinations to accommodate various applications (see "Selection Table" on page 1).

The drivers feature true TTL/CMOS input compatibility, slew-rate-limited output, and 300 $\Omega$  power-off source impedance. The receivers can handle up to  $\pm 30V$ , and have a 3k $\Omega$  to 7k $\Omega$  input impedance. The receivers also feature hysteresis to greatly improve noise rejection.

### Features

- Meets All RS-232E and V.28 Specifications
- Requires Only Single +5V Power Supply
  - (+5V and +12V - HIN239)
- High Data Rate. . . . . 120kbps
- Onboard Voltage Doubler/Inverter
- Low Power Consumption
- Low Power Shutdown Function
- Three-State TTL/CMOS Receiver Outputs
- Multiple Drivers
  - $\pm 10V$  Output Swing for 5V Input
  - 300 $\Omega$  Power-Off Source Impedance
  - Output Current Limiting
  - TTL/CMOS Compatible
  - 30V/ $\mu s$  Maximum Slew Rate
- Multiple Receivers
  - $\pm 30V$  Input Voltage Range
  - 3k $\Omega$  to 7k $\Omega$  Input Impedance
  - 0.5V Hysteresis to Improve Noise Rejection
- Pb-free Available (RoHS compliant)

### Applications

- Any System Requiring RS-232 Communication Ports
  - Computer - Portable, Mainframe, Laptop
  - Peripheral - Printers and Terminals
  - Instrumentation
  - Modems

### Selection Table

| PART NUMBER | POWER SUPPLY VOLTAGE   | NUMBER OF RS-232 DRIVERS | NUMBER OF RS-232 RECEIVERS | EXTERNAL COMPONENTS | LOW POWER SHUTDOWN/TTL THREE-STATE | NUMBER OF LEADS |
|-------------|------------------------|--------------------------|----------------------------|---------------------|------------------------------------|-----------------|
| HIN232      | +5V                    | 2                        | 2                          | 4 Capacitors        | No/No                              | 16              |
| HIN236      | +5V                    | 4                        | 3                          | 4 Capacitors        | Yes/Yes                            | 24              |
| HIN237      | +5V                    | 5                        | 3                          | 4 Capacitors        | No/No                              | 24              |
| HIN238      | +5V                    | 4                        | 4                          | 4 Capacitors        | No/No                              | 24              |
| HIN239      | +5V and +7.5V to 13.2V | 3                        | 5                          | 2 Capacitors        | No/Yes                             | 24              |
| HIN240      | +5V                    | 5                        | 5                          | 4 Capacitors        | Yes/Yes                            | 44              |
| HIN241      | +5V                    | 4                        | 5                          | 4 Capacitors        | Yes/Yes                            | 28              |

## Pin Descriptions

| PIN                    | FUNCTION   |
|------------------------|--|
| V <sub>CC</sub>        | Power Supply Input 5V ±10%.  |
| V+                     | Internally generated positive supply (+10V nominal), HIN239 requires +7.5V to +13.2V.  |
| V-                     | Internally generated negative supply (-10V nominal).   |
| GND                    | Ground lead. Connect to 0V.  |
| C1+                    | External capacitor (+ terminal) is connected to this lead.   |
| C1-                    | External capacitor (- terminal) is connected to this lead.   |
| C2+                    | External capacitor (+ terminal) is connected to this lead.   |
| C2-                    | External capacitor (- terminal) is connected to this lead.   |
| T <sub>IN</sub>        | Transmitter Inputs. These leads accept TTL/CMOS levels. An internal 400kΩ pull-up resistor to V <sub>CC</sub> is connected to each lead.   |
| T <sub>OUT</sub>       | Transmitter Outputs. These are RS-232 levels (nominally ±10V).   |
| R <sub>IN</sub>        | Receiver Inputs. These inputs accept RS-232 input levels. An internal 5kΩ pull-down resistor to GND is connected to each input.  |
| R <sub>OUT</sub>       | Receiver Outputs. These are TTL/CMOS levels.   |
| $\overline{\text{EN}}$ | Enable input. This is an active low input which enables the receiver outputs. With $\overline{\text{EN}} = 5\text{V}$ , the receiver outputs are placed in a high impedance state. |
| SD                     | Shutdown Input. With SD = 5V, the charge pump is disabled, the receiver outputs are in a high impedance state and the transmitters are shut off.                                   |
| NC                     | No Connect. No connections are made to these leads.  |

**Ordering Information**

| PART NUMBER  | PART MARKING | TEMP. RANGE (°C) | PACKAGE                   | PKG. DWG. # |
|--|--------------|------------------|---------------------------|-------------|
| HIN232CBZ*<br>(Note)   | HIN232CBZ    | 0 to +70         | 16 Ld SOIC<br>(Pb-free)   | M16.3       |
| HIN232CPZ<br>(Note)  | HIN232CPZ    | 0 to +70         | 16 Ld PDIP**<br>(Pb-free) | E16.3       |
| HIN232IBZ*<br>(Note)   | HIN232IBZ    | -40 to +85       | 16 Ld SOIC<br>(Pb-free)   | M16.3       |
| HIN232IPZ<br>(Note)  | HIN232IPZ    | -40 to +85       | 16 Ld PDIP**<br>(Pb-free) | E16.3       |
| HIN236CBZ (No longer available or supported recommended replacement part ICL3243E) (Note)  | HIN236CBZ    | 0 to +70         | 24 Ld SOIC<br>(Pb-free)   | M24.3       |
| HIN237CBZ* (No longer available or supported recommended replacement part ICL3243E) (Note) | HIN237CBZ    | 0 to +70         | 24 Ld SOIC<br>(Pb-free)   | M24.3       |
| HIN238CBZ*(Note)   | HIN238CBZ    | 0 to +70         | 24 Ld SOIC<br>(Pb-free)   | M24.3       |
| HIN238IBZ*<br>(Note)   | HIN238IBZ    | -40 to +85       | 24 Ld SOIC<br>(Pb-free)   | M24.3       |
| HIN239CBZ*<br>(Note)   | HIN239CBZ    | 0 to +70         | 24 Ld SOIC<br>(Pb-free)   | M24.3       |
| HIN239CPZ<br>(Note)  | HIN239CPZ    | 0 to +70         | 24 Ld PDIP**<br>(Pb-free) | E24.3       |
| HIN240CNZ* (No longer available or supported) (Note)                                       | HIN240CNZ    | 0 to +70         | 44 Ld MQFP<br>(Pb-free)   | Q44.10X10   |
| HIN241CAZ (No longer available or supported) (Note)  | HIN241CAZ    | 0 to +70         | 28 Ld SSOP<br>(Pb-free)   | M28.209     |
| HIN241CBZ* (No longer available or supported) (Note)                                       | HIN241CBZ    | 0 to +70         | 28 Ld SOIC<br>(Pb-free)   | M28.3       |
| HIN241IBZ (No longer Available or supported) (Note)  | HIN241IBZ    | -40 to +85       | 28 Ld SOIC<br>(Pb-free)   | M28.3       |

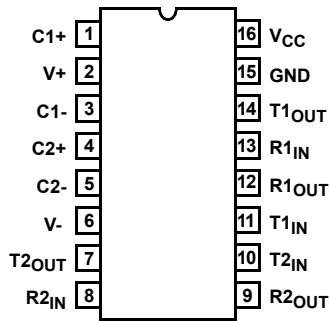
\*Add "-T" suffix for tape and reel. Please refer to TB347 for details on reel specifications.

NOTE: These Intersil Pb-free plastic packaged products employ special Pb-free material sets, molding compounds/die attach materials, and 100% matte tin plate plus anneal (e3 termination finish, which is RoHS compliant and compatible with both SnPb and Pb-free soldering operations). Intersil Pb-free products are MSL classified at Pb-free peak reflow temperatures that meet or exceed the Pb-free requirements of IPC/JEDEC J STD-020.

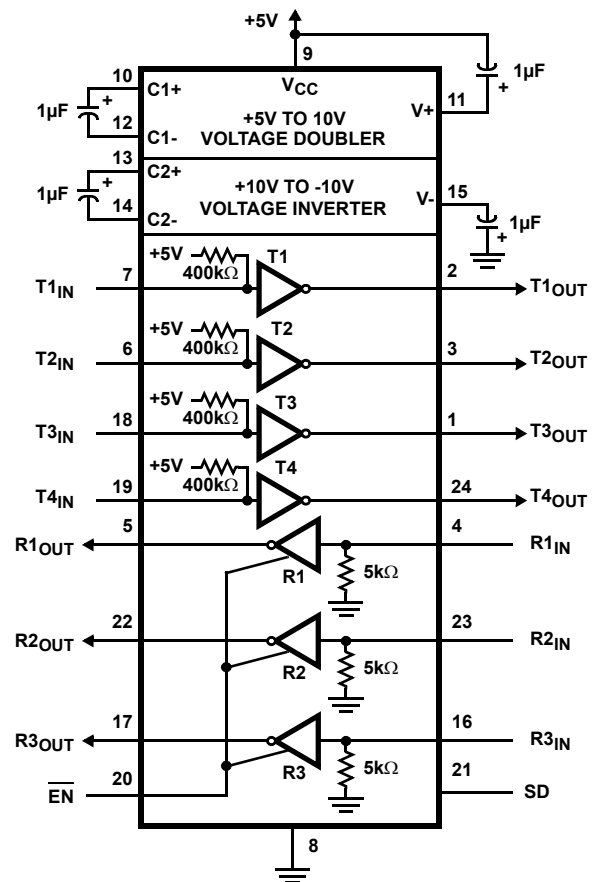
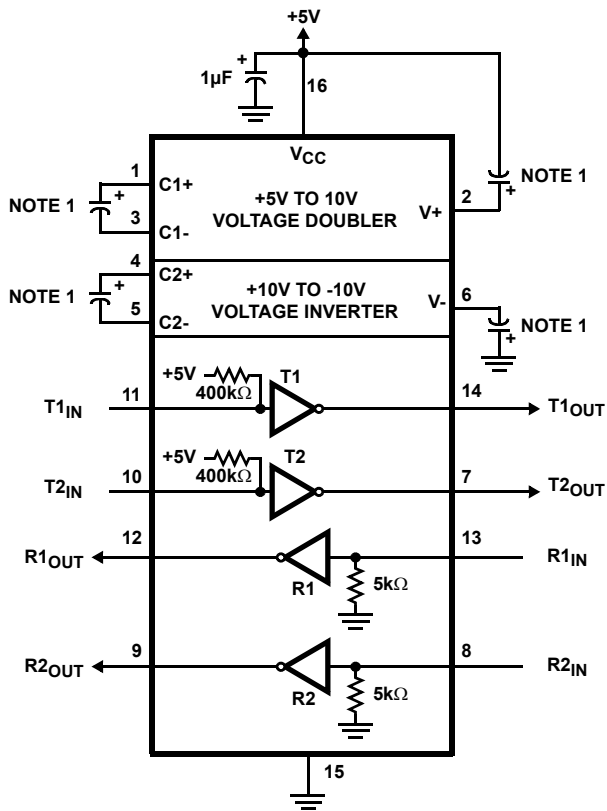
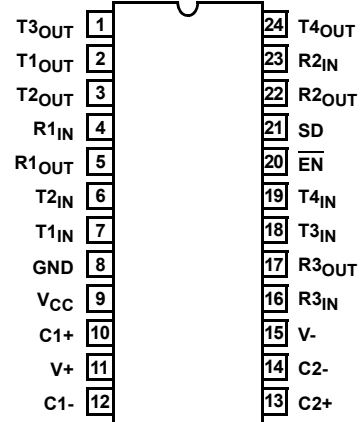
\*\*Pb-free PDIPs can be used for through hole wave solder processing only. They are not intended for use in Reflow solder processing applications.

**Pinouts**

**HIN232**  
(16 LD PDIP, SOIC)  
TOP VIEW



**HIN236**  
(24 LD SOIC)  
TOP VIEW

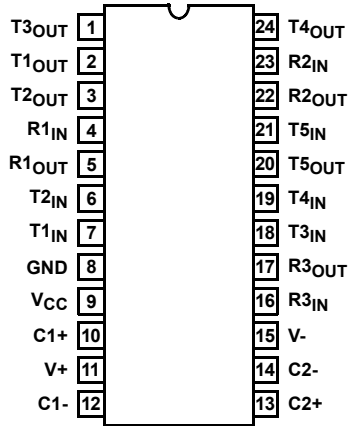


NOTE:

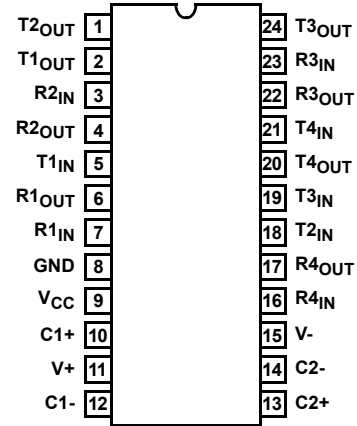
1. Either 0.1µF or 1µF capacitors may be used.

**Pinouts** (Continued)

**HIN237**  
(24 LD SOIC)  
TOP VIEW

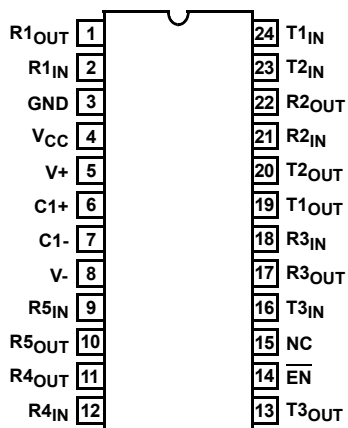


**HIN238**  
(24 LD PDIP, SOIC)  
TOP VIEW

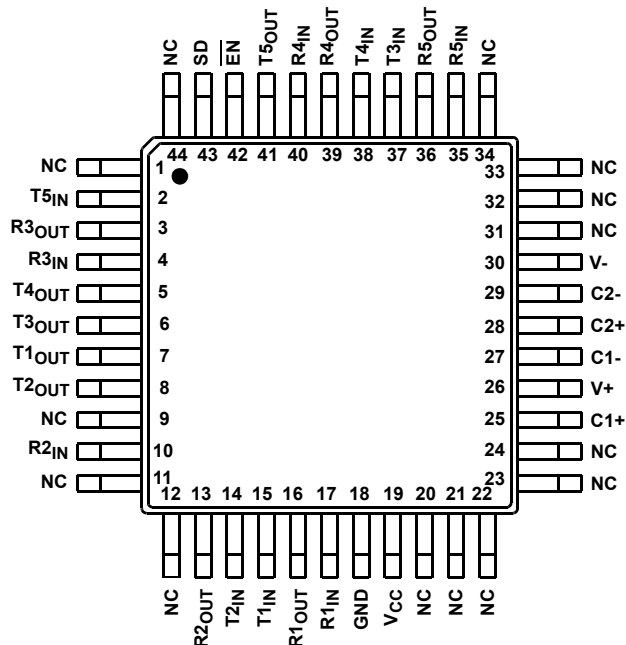


**Pinouts** (Continued)

**HIN239**  
(24 LD PDIP, SOIC)  
TOP VIEW



**HIN240**  
(44 LD MQFP)  
TOP VIEW



**Pinouts** (Continued)



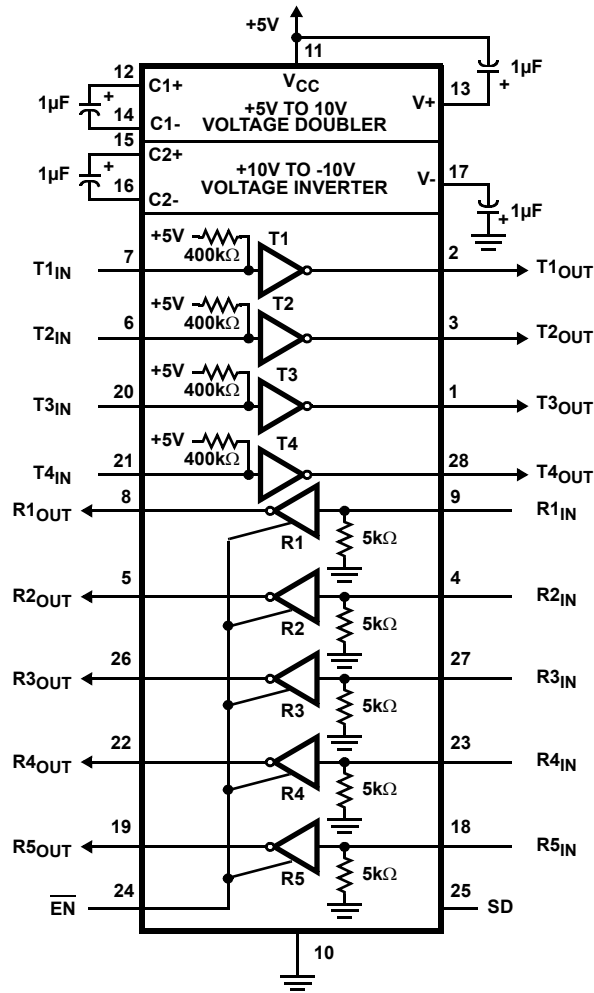
NOTE: For  $V_+ > 11V$ , use  $C_1 \leq 0.1\mu F$ .



**HIN241**  
(28 SOIC, SSOP)  
TOP VIEW



**Pinouts** (Continued)





### Absolute Maximum Ratings

|                           |   |
|---------------------------|---|
| V <sub>CC</sub> to Ground | (GND -0.3V) < V <sub>CC</sub> < 6V            |
| V+ to Ground (Note 2)     | (V <sub>CC</sub> -0.3V) < V+ < 13.2V          |
| V- to Ground              | -12V < V- < (GND +0.3V)                       |
| V+ to V-                  | 24V   |
| Input Voltages            |   |
| T <sub>IN</sub>           | -0.3V < V <sub>IN</sub> < (V+ +0.3V)          |
| R <sub>IN</sub>           | ±30V  |
| Output Voltages           |   |
| T <sub>OUT</sub>          | (V- -0.3V) < V <sub>TXOUT</sub> < (V+ +0.3V)  |
| R <sub>OUT</sub>          | (GND -0.3V) < V <sub>RXOUT</sub> < (V+ +0.3V) |
| Short Circuit Duration    |   |
| T <sub>OUT</sub>          | Continuous                                    |
| R <sub>OUT</sub>          | Continuous                                    |

### Operating Conditions

|                   |                |
|-------------------|----------------|
| Temperature Range |                |
| HIN2xxcx          | 0°C to +70°C   |
| HIN2xxlx          | -40°C to +85°C |

CAUTION: Do not operate at or near the maximum ratings listed for extended periods of time. Exposure to such conditions may adversely impact product reliability and result in failures not covered by warranty.

NOTE:

- Only HIN239. For V+ > 11V, C1 must be ≤0.1μF.
- θ<sub>JA</sub> is measured with the component mounted on a low effective thermal conductivity test board in free air. See Tech Brief TB379 for details.

### Thermal Information

|  |   |
|--|---|
| Thermal Resistance (Typical, Note 3)           | θ <sub>JC</sub> (°C/W)  |
| 16 Ld PDIP Package*                            | 90  |
| 24 Ld PDIP Package                             | 70  |
| 16 Ld SOIC Package                             | 100   |
| 24 Ld SOIC Package                             | 75  |
| 28 Ld SOIC Package                             | 70  |
| 28 Ld SSOP Package                             | 95  |
| 44 Ld MQFP Package                             | 80  |
| Maximum Junction Temperature (Plastic Package) | +150°C  |
| Maximum Storage Temperature Range              | -65°C to +150°C   |
| Pb-free Reflow Profile                         | see link below<br><a href="http://www.intersil.com/pbfree/Pb-FreeReflow.asp">http://www.intersil.com/pbfree/Pb-FreeReflow.asp</a> |

\*Pb-free PDIPs can be used for through hole wave solder processing only. They are not intended for use in Reflow solder processing applications.

### Electrical Specifications Test Conditions: V<sub>CC</sub> = +5V ±10%, T<sub>A</sub> = Operating Temperature Range

| PARAMETER   | TEST CONDITIONS                              | MIN (Note 5)                 | TYP | MAX (Note 5) | UNITS |    |
|---|--|------------------------------|-----|--------------|-------|----|
| <b>SUPPLY CURRENTS</b>  |  |                              |     |              |       |    |
| Power Supply Current, I <sub>CC</sub>                                       | No Load, T <sub>A</sub> = +25°C              | HIN232                       | -   | 5            | 10    | mA |
|   |  | HIN236-HIN238, HIN240-HIN241 | -   | 7            | 15    | mA |
|   |  | HIN239                       | -   | 0.4          | 1     | mA |
| V+ Power Supply Current, I <sub>CC</sub><br>No Load, T <sub>A</sub> = +25°C | No Load, T <sub>A</sub> = +25°C              | HIN239                       | -   | 5.0          | 15    | mA |
| Shutdown Supply Current, I <sub>CC</sub> (SD)                               | T <sub>A</sub> = +25°C                       | -                            | 1   | 10           | μA    |    |
| <b>LOGIC AND TRANSMITTER INPUTS, RECEIVER OUTPUTS</b>                       |  |                              |     |              |       |    |
| Input Logic Low, V <sub>IL</sub>  | T <sub>IN</sub> , $\overline{EN}$ , Shutdown | -                            | -   | 0.8          | V     |    |
| Input Logic High, V <sub>IH</sub>   | T <sub>IN</sub>                              | 2.0                          | -   | -            | V     |    |
|   | $\overline{EN}$ , Shutdown                   | 2.4                          | -   | -            | V     |    |
| Transmitter Input Pull-up Current, I <sub>p</sub>                           | T <sub>IN</sub> = 0V                         | -                            | 15  | 200          | μA    |    |
| TTL/CMOS Receiver Output Voltage Low, V <sub>OL</sub>                       | I <sub>OUT</sub> = 1.6mA                     | -                            | 0.1 | 0.4          | V     |    |
| TTL/CMOS Receiver Output Voltage High, V <sub>OH</sub>                      | I <sub>OUT</sub> = -1.0mA                    | 3.5                          | 4.6 | -            | V     |    |
| <b>RECEIVER INPUTS</b>  |  |                              |     |              |       |    |
| RS-232 Input Voltage Range V <sub>IN</sub>                                  |  | -30                          | -   | +30          | V     |    |
| Receiver Input Impedance R <sub>IN</sub>                                    | V <sub>IN</sub> = ±3V                        | 3.0                          | 5.0 | 7.0          | kΩ    |    |
| Receiver Input Low Threshold, V <sub>IN</sub> (H-L)                         | V <sub>CC</sub> = 5V, T <sub>A</sub> = +25°C | 0.8                          | 1.2 | -            | V     |    |
| Receiver Input High Threshold, V <sub>IN</sub> (L-H)                        | V <sub>CC</sub> = 5V, T <sub>A</sub> = +25°C | -                            | 1.7 | 2.4          | V     |    |
| Receiver Input Hysteresis V <sub>HYST</sub>                                 |  | 0.2                          | 0.5 | 1.0          | V     |    |

**Electrical Specifications** Test Conditions:  $V_{CC} = +5V \pm 10\%$ ,  $T_A =$  Operating Temperature Range (Continued)

| PARAMETER                                     | TEST CONDITIONS   | MIN (Note 5) | TYP      | MAX (Note 5) | UNITS     |
|---|---|--------------|----------|--------------|-----------|
| <b>TIMING CHARACTERISTICS</b>                 |   |              |          |              |           |
| Baud Rate (1 Transmitter Switching)           | $R_L = 3k\Omega$  | 120          | -        | -            | kbps      |
| Output Enable Time, $t_{EN}$                  | HIN236, HIN239, HIN240, HIN241  | -            | 400      | -            | ns        |
| Output Disable Time, $t_{DIS}$                | HIN236, HIN239, HIN240, HIN241  | -            | 250      | -            | ns        |
| Propagation Delay, $t_{PD}$                   | RS-232 to TTL   | -            | 0.5      | -            | $\mu s$   |
| Instantaneous Slew Rate SR                    | $C_L = 10pF$ , $R_L = 3k\Omega$ , $T_A = +25^\circ C$ (Note 4)                                    | -            | -        | 30           | $V/\mu s$ |
| Transition Region Slew Rate, $SR_T$           | $R_L = 3k\Omega$ , $C_L = 2500pF$ Measured from +3V to -3V or -3V to +3V, 1 Transmitter Switching | -            | 3        | -            | $V/\mu s$ |
| <b>TRANSMITTER OUTPUTS</b>                    |   |              |          |              |           |
| Output Voltage Swing, $T_{OUT}$               | Transmitter Outputs, $3k\Omega$ to Ground   | $\pm 5$      | $\pm 9$  | $\pm 10$     | V         |
| Output Resistance, $T_{OUT}$                  | $V_{CC} = V+ = V- = 0V$ , $V_{OUT} = \pm 2V$  | 300          | -        | -            | $\Omega$  |
| RS-232 Output Short Circuit Current, $I_{SC}$ | $T_{OUT}$ shorted to GND  | -            | $\pm 10$ | -            | mA        |

NOTE:

- Limits established by characterization and are not production tested.
- Parameters with MIN and/or MAX limits are 100% tested at +25°C, unless otherwise specified. Temperature limits established by characterization and are not production tested.

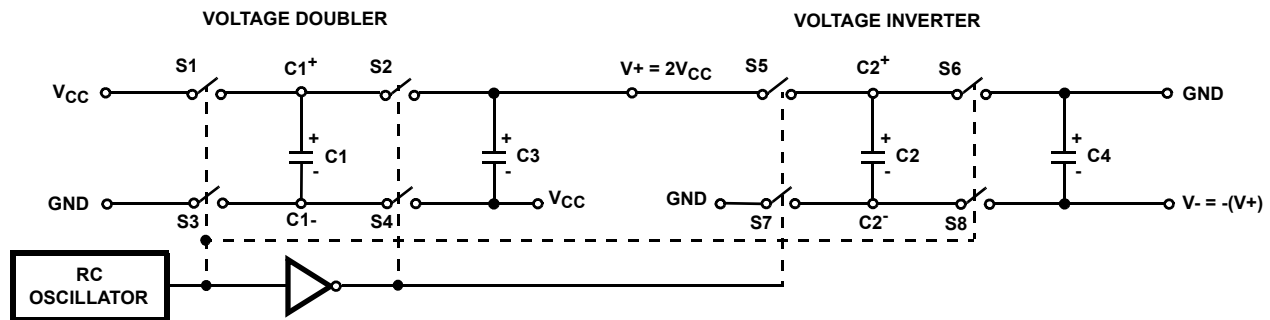


FIGURE 1. CHARGE PUMP

**Detailed Description**

The HIN232 thru HIN241 family of RS-232 transmitters/receivers are powered by a single +5V power supply (except HIN239), feature low power consumption, and meet all EIA RS-232C and V.28 specifications. The circuit is divided into three sections: The charge pump, transmitter, and receiver.

**Charge Pump**

An equivalent circuit of the charge pump is illustrated in Figure 1. The charge pump contains two sections: the voltage doubler and the voltage inverter. Each section is driven by a two-phase, internally generated clock to generate +10V and -10V. The nominal clock frequency is 16kHz. During phase one of the clock, capacitor C1 is charged to  $V_{CC}$ . During phase two, the voltage on C1 is added to  $V_{CC}$ , producing a signal across C3 equal to twice  $V_{CC}$ . During phase one, C2 is also charged to  $2V_{CC}$ , and then during phase two, it is

inverted with respect to ground to produce a signal across C4 equal to  $-2V_{CC}$ . The charge pump accepts input voltages up to 5.5V. The output impedance of the voltage doubler section (V+) is approximately 200 $\Omega$ , and the output impedance of the voltage inverter section (V-) is approximately 450 $\Omega$ . A typical application uses 1 $\mu F$  capacitors for C1-C4, however, the value is not critical. Increasing the values of C1 and C2 will lower the output impedance of the voltage doubler and inverter, increasing the values of the reservoir capacitors, C3 and C4, lowers the ripple on the V+ and V- supplies.

During shutdown mode (HIN236, HIN240 and HIN241), SHUTDOWN control line set to logic “1”, the charge pump is turned off, V+ is pulled down to  $V_{CC}$ , V- is pulled up to GND, and the supply current is reduced to less than 10 $\mu A$ . The transmitter outputs are disabled and the receiver outputs are placed in the high impedance state.

**Transmitters**

The transmitters are TTL/CMOS compatible inverters which translate the inputs to RS-232 outputs. The input logic threshold is about 26% of  $V_{CC}$ , or 1.3V for  $V_{CC} = 5V$ . A logic 1 at the input results in a voltage of between -5V and  $V_-$  at the output, and a logic 0 results in a voltage between +5V and  $(V_+ - 0.6V)$ . Each transmitter input has an internal  $400k\Omega$  pullup resistor so any unused input can be left unconnected and its output remains in its low state. The output voltage swing meets the RS-232C specifications of  $\pm 5V$  minimum with the worst case conditions of: all transmitters driving  $3k\Omega$  minimum load impedance,  $V_{CC} = 4.5V$ , and maximum allowable operating temperature. The transmitters have an internally limited output slew rate which is less than  $30V/\mu s$ . The outputs are short circuit protected and can be shorted to ground indefinitely. The powered down output impedance is a minimum of  $300\Omega$  with  $\pm 2V$  applied to the outputs and  $V_{CC} = 0V$ .

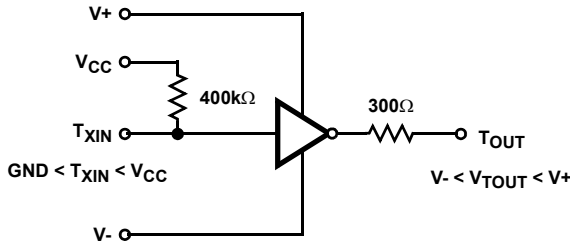


FIGURE 2. TRANSMITTER

**Receivers**

The receiver inputs accept up to  $\pm 30V$  while presenting the required  $3k\Omega$  to  $7k\Omega$  input impedance even if the power is off ( $V_{CC} = 0V$ ). The receivers have a typical input threshold of 1.3V which is within the  $\pm 3V$  limits, known as the transition region, of the RS-232 specifications. The receiver output is  $0V$  to  $V_{CC}$ . The output will be low whenever the input is greater than 2.4V and high whenever the input is floating or driven between  $+0.8V$  and  $-30V$ . The receivers feature 0.5V hysteresis to improve noise rejection. The receiver Enable line  $\overline{EN}$ , when set to logic "1", (HIN236, HIN239, HIN240, and HIN241) disables the receiver outputs, placing them in the high impedance mode. The receiver outputs are also placed in the high impedance state when in shutdown mode.

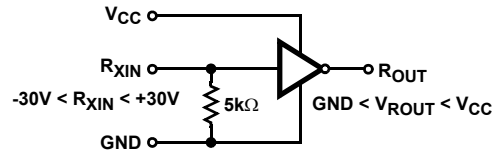


FIGURE 3. RECEIVER



$$\text{AVERAGE PROPAGATION DELAY} = \frac{t_{PHL} + t_{PLH}}{2}$$

FIGURE 4. PROPAGATION DELAY DEFINITION

### Typical Performance Curves



FIGURE 5. V- SUPPLY VOLTAGE vs  $V_{CC}$ , VARYING CAPACITORS

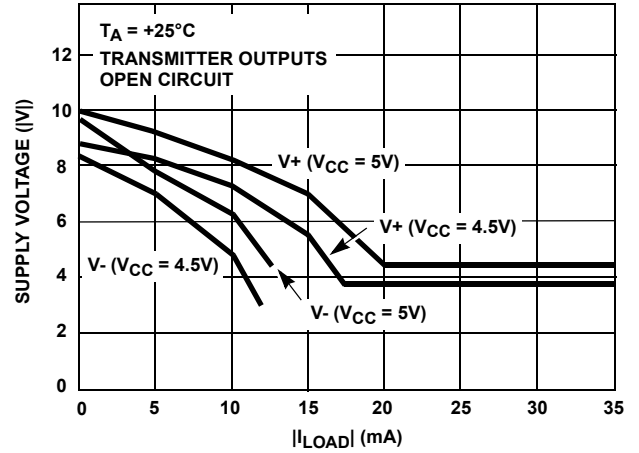


FIGURE 6.  $V_+$ ,  $V_-$  OUTPUT VOLTAGE vs LOAD (HIN232)

### Test Circuits (HIN232)



FIGURE 7. GENERAL TEST CIRCUIT



FIGURE 8. POWER-OFF SOURCE RESISTANCE CONFIGURATION

### Applications

The HIN2xx may be used for all RS-232 data terminal and communication links. It is particularly useful in applications where  $\pm 12V$  power supplies are not available for conventional RS-232 interface circuits. The applications presented represent typical interface configurations.

A simple duplex RS-232 port with CTS/RTS handshaking is illustrated in Figure 9. Fixed output signals such as DTR (data terminal ready) and DSRS (data signaling rate select) is generated by driving them through a  $5k\Omega$  resistor connected to  $V+$ .

In applications requiring four RS-232 inputs and outputs (Figure 10), note that each circuit requires two charge pump capacitors ( $C1$  and  $C2$ ) but can share common reservoir capacitors ( $C3$  and  $C4$ ). The benefit of sharing common reservoir capacitors is the elimination of two capacitors and the reduction of the charge pump source impedance which effectively increases the output swing of the transmitters.



FIGURE 9. SIMPLE DUPLEX RS-232 PORT WITH CTS/RTS HANDSHAKING



FIGURE 10. COMBINING TWO HIN232s FOR 4 PAIRS OF RS-232 INPUTS AND OUTPUTS

### Die Characteristics

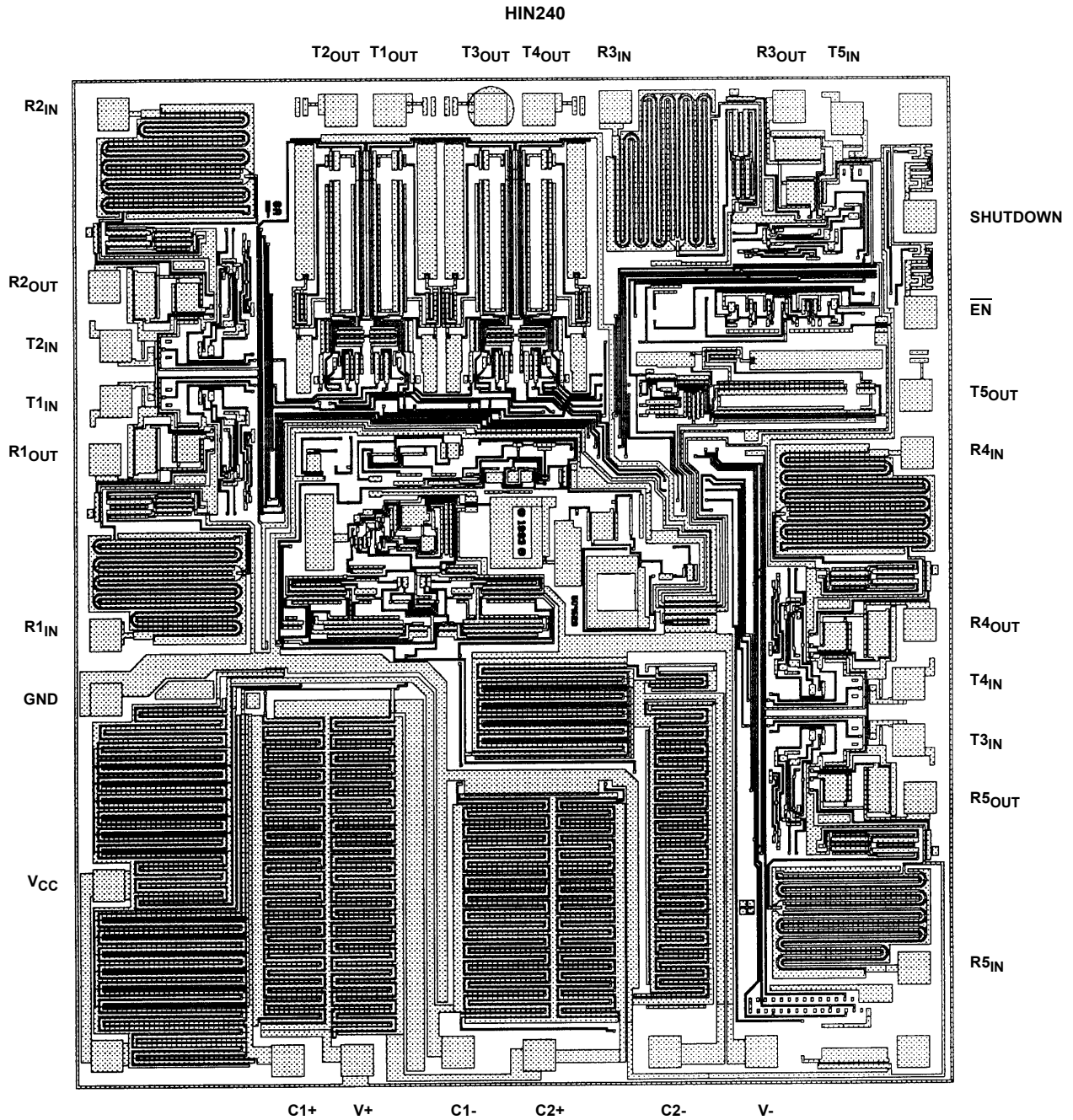
SUBSTRATE POTENTIAL

V+

TRANSISTOR COUNT

238

### Metallization Mask Layout



## Revision History

The revision history provided is for informational purposes only and is believed to be accurate, but not warranted. Please go to the web to make sure that you have the latest revision.

| DATE           | REVISION  | CHANGE  |
|----------------|-----------|---|
| August 6, 2015 | FN3138.17 | Added Rev History beginning with Rev 17.<br>Added About Intersil Verbiage<br>Updated Ordering Information Table on page 3.<br>Updated POD M24.3 to most current version change is as follows:<br>Updated to new POD standard by removing table listing dimensions and putting dimensions on drawing. Added Land Pattern.<br>Updated POD M28.3 to most current version change is as follows:<br>Added land pattern |

## About Intersil

Intersil Corporation is a leading provider of innovative power management and precision analog solutions. The company's products address some of the largest markets within the industrial and infrastructure, mobile computing and high-end consumer markets.

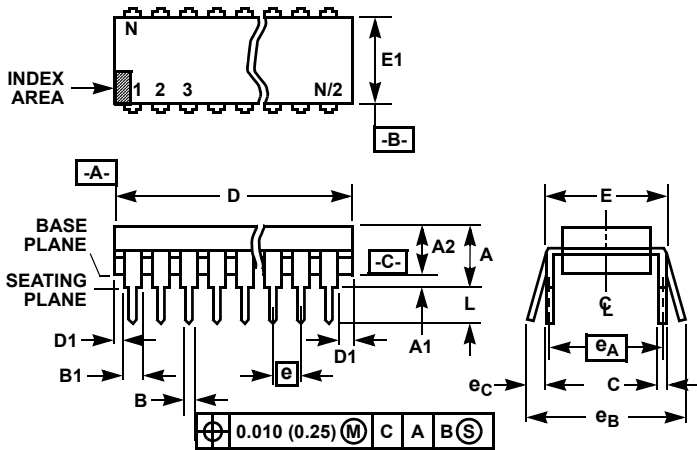
For the most updated datasheet, application notes, related documentation and related parts, please see the respective product information page found at [www.intersil.com](http://www.intersil.com).

You may report errors or suggestions for improving this datasheet by visiting [www.intersil.com/ask](http://www.intersil.com/ask).

Reliability reports are also available from our website at [www.intersil.com/support](http://www.intersil.com/support)



**Dual-In-Line Plastic Packages (PDIP)**



**NOTES:**

- Controlling Dimensions: INCH. In case of conflict between English and Metric dimensions, the inch dimensions control.
- Dimensioning and tolerancing per ANSI Y14.5M-1982.
- Symbols are defined in the "MO Series Symbol List" in Section 2.2 of Publication No. 95.
- Dimensions A, A1 and L are measured with the package seated in JEDEC seating plane gauge GS-3.
- D, D1, and E1 dimensions do not include mold flash or protrusions. Mold flash or protrusions shall not exceed 0.010 inch (0.25mm).
- E and  $e_A$  are measured with the leads constrained to be perpendicular to datum  $-C-$ .
- $e_B$  and  $e_C$  are measured at the lead tips with the leads unconstrained.  $e_C$  must be zero or greater.
- B1 maximum dimensions do not include dambar protrusions. Dambar protrusions shall not exceed 0.010 inch (0.25mm).
- N is the maximum number of terminal positions.
- Corner leads (1, N, N/2 and N/2 + 1) for E8.3, E16.3, E18.3, E28.3, E42.6 will have a B1 dimension of 0.030 - 0.045 inch (0.76 - 1.14mm).

**E16.3 (JEDEC MS-001-BB ISSUE D)  
16 LEAD DUAL-IN-LINE PLASTIC PACKAGE**

| SYMBOL | INCHES    |       | MILLIMETERS |       | NOTES |
|--------|-----------|-------|-------------|-------|-------|
|        | MIN       | MAX   | MIN         | MAX   |       |
| A      | -         | 0.210 | -           | 5.33  | 4     |
| A1     | 0.015     | -     | 0.39        | -     | 4     |
| A2     | 0.115     | 0.195 | 2.93        | 4.95  | -     |
| B      | 0.014     | 0.022 | 0.356       | 0.558 | -     |
| B1     | 0.045     | 0.070 | 1.15        | 1.77  | 8, 10 |
| C      | 0.008     | 0.014 | 0.204       | 0.355 | -     |
| D      | 0.735     | 0.775 | 18.66       | 19.68 | 5     |
| D1     | 0.005     | -     | 0.13        | -     | 5     |
| E      | 0.300     | 0.325 | 7.62        | 8.25  | 6     |
| E1     | 0.240     | 0.280 | 6.10        | 7.11  | 5     |
| e      | 0.100 BSC |       | 2.54 BSC    |       | -     |
| $e_A$  | 0.300 BSC |       | 7.62 BSC    |       | 6     |
| $e_B$  | -         | 0.430 | -           | 10.92 | 7     |
| L      | 0.115     | 0.150 | 2.93        | 3.81  | 4     |
| N      | 16        |       | 16          |       | 9     |

Rev. 0 12/93



**Dual-In-Line Plastic Packages (PDIP)**



**NOTES:**

- Controlling Dimensions: INCH. In case of conflict between English and Metric dimensions, the inch dimensions control.
- Dimensioning and tolerancing per ANSI Y14.5M-1982.
- Symbols are defined in the "MO Series Symbol List" in Section 2.2 of Publication No. 95.
- Dimensions A, A1 and L are measured with the package seated in JEDEC seating plane gauge GS-3.
- D, D1, and E1 dimensions do not include mold flash or protrusions. Mold flash or protrusions shall not exceed 0.010 inch (0.25mm).
- E and  $e_A$  are measured with the leads constrained to be perpendicular to datum  $-C-$ .
- $e_B$  and  $e_C$  are measured at the lead tips with the leads unconstrained.  $e_C$  must be zero or greater.
- B1 maximum dimensions do not include dambar protrusions. Dambar protrusions shall not exceed 0.010 inch (0.25mm).
- N is the maximum number of terminal positions.
- Corner leads (1, N, N/2 and N/2 + 1) for E8.3, E16.3, E18.3, E28.3, E42.6 will have a B1 dimension of 0.030 - 0.045 inch (0.76 - 1.14mm).

**E24.3 (JEDEC MS-001-AF ISSUE D)  
24 LEAD NARROW BODY DUAL-IN-LINE PLASTIC PACKAGE**

| SYMBOL | INCHES    |       | MILLIMETERS |       | NOTES |
|--------|-----------|-------|-------------|-------|-------|
|        | MIN       | MAX   | MIN         | MAX   |       |
| A      | -         | 0.210 | -           | 5.33  | 4     |
| A1     | 0.015     | -     | 0.39        | -     | 4     |
| A2     | 0.115     | 0.195 | 2.93        | 4.95  | -     |
| B      | 0.014     | 0.022 | 0.356       | 0.558 | -     |
| B1     | 0.045     | 0.070 | 1.15        | 1.77  | 8     |
| C      | 0.008     | 0.014 | 0.204       | 0.355 | -     |
| D      | 1.230     | 1.280 | 31.24       | 32.51 | 5     |
| D1     | 0.005     | -     | 0.13        | -     | 5     |
| E      | 0.300     | 0.325 | 7.62        | 8.25  | 6     |
| E1     | 0.240     | 0.280 | 6.10        | 7.11  | 5     |
| e      | 0.100 BSC |       | 2.54 BSC    |       | -     |
| $e_A$  | 0.300 BSC |       | 7.62 BSC    |       | 6     |
| $e_B$  | -         | 0.430 | -           | 10.92 | 7     |
| L      | 0.115     | 0.150 | 2.93        | 3.81  | 4     |
| N      | 24        |       | 24          |       | 9     |

Rev. 0 12/93

**Small Outline Plastic Packages (SOIC)**



**M16.3 (JEDEC MS-013-AA ISSUE C)  
16 LEAD WIDE BODY SMALL OUTLINE PLASTIC PACKAGE**

| SYMBOL   | INCHES    |        | MILLIMETERS |       | NOTES |
|----------|-----------|--------|-------------|-------|-------|
|          | MIN       | MAX    | MIN         | MAX   |       |
| A        | 0.0926    | 0.1043 | 2.35        | 2.65  | -     |
| A1       | 0.0040    | 0.0118 | 0.10        | 0.30  | -     |
| B        | 0.013     | 0.0200 | 0.33        | 0.51  | 9     |
| C        | 0.0091    | 0.0125 | 0.23        | 0.32  | -     |
| D        | 0.3977    | 0.4133 | 10.10       | 10.50 | 3     |
| E        | 0.2914    | 0.2992 | 7.40        | 7.60  | 4     |
| e        | 0.050 BSC |        | 1.27 BSC    |       | -     |
| H        | 0.394     | 0.419  | 10.00       | 10.65 | -     |
| h        | 0.010     | 0.029  | 0.25        | 0.75  | 5     |
| L        | 0.016     | 0.050  | 0.40        | 1.27  | 6     |
| N        | 16        |        | 16          |       | 7     |
| $\alpha$ | 0°        | 8°     | 0°          | 8°    | -     |

**NOTES:**

1. Symbols are defined in the "MO Series Symbol List" in Section 2.2 of Publication Number 95.
2. Dimensioning and tolerancing per ANSI Y14.5M-1982.
3. Dimension "D" does not include mold flash, protrusions or gate burrs. Mold flash, protrusion and gate burrs shall not exceed 0.15mm (0.006 inch) per side.
4. Dimension "E" does not include interlead flash or protrusions. Interlead flash and protrusions shall not exceed 0.25mm (0.010 inch) per side.
5. The chamfer on the body is optional. If it is not present, a visual index feature must be located within the crosshatched area.
6. "L" is the length of terminal for soldering to a substrate.
7. "N" is the number of terminal positions.
8. Terminal numbers are shown for reference only.
9. The lead width "B", as measured 0.36mm (0.014 inch) or greater above the seating plane, shall not exceed a maximum value of 0.61mm (0.024 inch)
10. Controlling dimension: MILLIMETER. Converted inch dimensions are not necessarily exact.

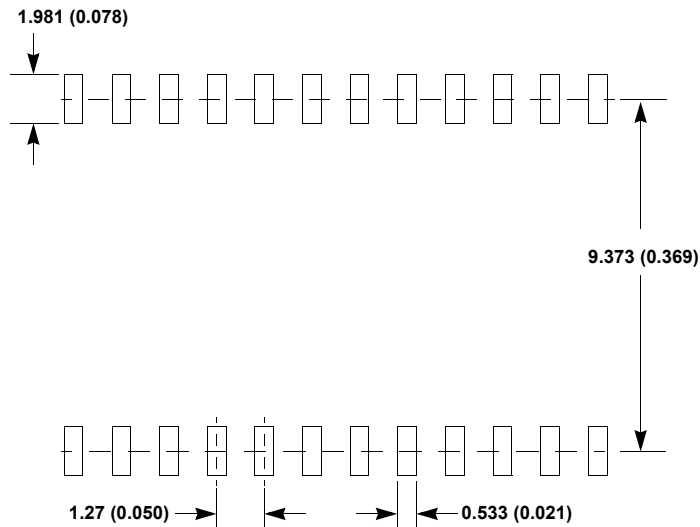
Rev. 1 6/05

# Package Outline Drawing

## M24.3

24 LEAD WIDE BODY SMALL OUTLINE PLASTIC PACKAGE (SOIC)

Rev 2, 3/11



**NOTES:**

1. Dimensioning and tolerancing per ANSI Y14.5M-1982.
2. Package length does not include mold flash, protrusions or gate burrs. Mold flash, protrusion and gate burrs shall not exceed 0.15mm (0.006 inch) per side.
3. Package width does not include interlead flash or protrusions. Interlead flash and protrusions shall not exceed 0.25mm (0.010 inch) per side.
4. The chamfer on the body is optional. If it is not present, a visual index feature must be located within the crosshatched area.
5. Terminal numbers are shown for reference only.
6. The lead width as measured 0.36mm (0.014 inch) or greater above the seating plane, shall not exceed a maximum value of 0.61mm (0.024 inch).
7. Controlling dimension: MILLIMETER. Converted inch dimensions in ( ) are not necessarily exact.
8. This outline conforms to JEDEC publication MS-013-AD ISSUE C.

**Small Outline Plastic Packages (SOIC)**



**M28.3 (JEDEC MS-013-AE ISSUE C)  
28 LEAD WIDE BODY SMALL OUTLINE PLASTIC PACKAGE**

| SYMBOL   | INCHES   |        | MILLIMETERS |       | NOTES |
|----------|----------|--------|-------------|-------|-------|
|          | MIN      | MAX    | MIN         | MAX   |       |
| A        | 0.0926   | 0.1043 | 2.35        | 2.65  | -     |
| A1       | 0.0040   | 0.0118 | 0.10        | 0.30  | -     |
| B        | 0.013    | 0.0200 | 0.33        | 0.51  | 9     |
| C        | 0.0091   | 0.0125 | 0.23        | 0.32  | -     |
| D        | 0.6969   | 0.7125 | 17.70       | 18.10 | 3     |
| E        | 0.2914   | 0.2992 | 7.40        | 7.60  | 4     |
| e        | 0.05 BSC |        | 1.27 BSC    |       | -     |
| H        | 0.394    | 0.419  | 10.00       | 10.65 | -     |
| h        | 0.01     | 0.029  | 0.25        | 0.75  | 5     |
| L        | 0.016    | 0.050  | 0.40        | 1.27  | 6     |
| N        | 28       |        | 28          |       | 7     |
| $\alpha$ | 0°       | 8°     | 0°          | 8°    | -     |

Rev. 1, 1/13

NOTES:

1. Symbols are defined in the "MO Series Symbol List" in Section 2.2 of Publication Number 95.
2. Dimensioning and tolerancing per ANSI Y14.5M-1982.
3. Dimension "D" does not include mold flash, protrusions or gate burrs. Mold flash, protrusion and gate burrs shall not exceed 0.15mm (0.006 inch) per side.
4. Dimension "E" does not include interlead flash or protrusions. Interlead flash and protrusions shall not exceed 0.25mm (0.010 inch) per side.
5. The chamfer on the body is optional. If it is not present, a visual index feature must be located within the crosshatched area.
6. "L" is the length of terminal for soldering to a substrate.
7. "N" is the number of terminal positions.
8. Terminal numbers are shown for reference only.
9. The lead width "B", as measured 0.36mm (0.014 inch) or greater above the seating plane, shall not exceed a maximum value of 0.61mm (0.024 inch)
10. Controlling dimension: MILLIMETER. Converted inch dimensions are not necessarily exact.

**TYPICAL RECOMMENDED LAND PATTERN**



### Shrink Small Outline Plastic Packages (SSOP)



**M28.209 (JEDEC MO-150-AH ISSUE B)**  
**28 LEAD SHRINK SMALL OUTLINE PLASTIC PACKAGE**

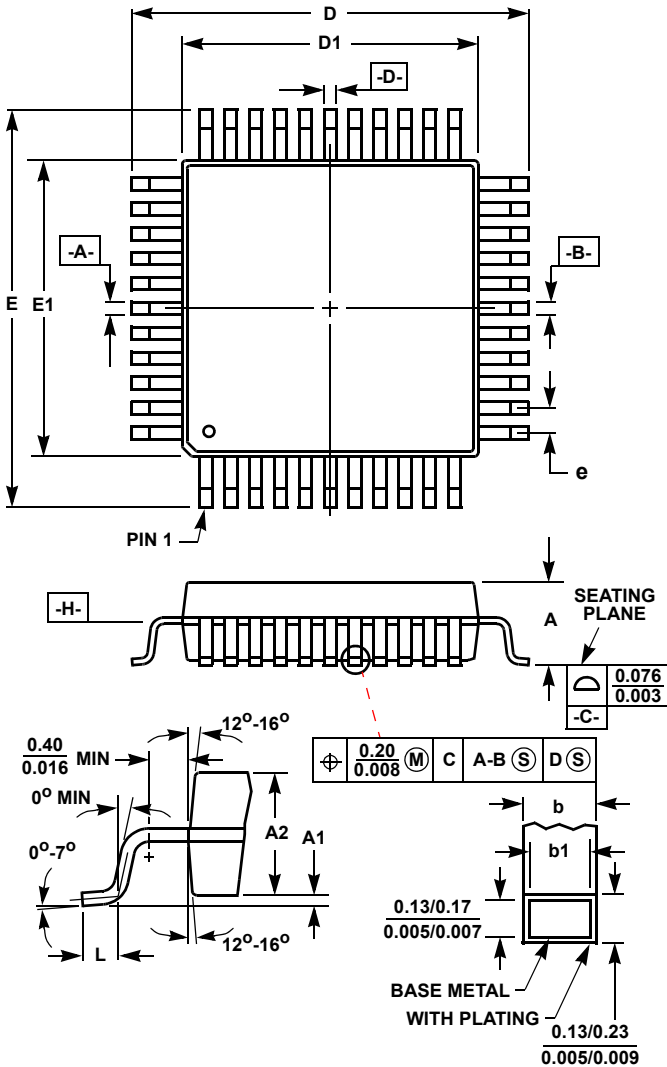
| SYMBOL   | INCHES    |       | MILLIMETERS |       | NOTES |
|----------|-----------|-------|-------------|-------|-------|
|          | MIN       | MAX   | MIN         | MAX   |       |
| A        | -         | 0.078 | -           | 2.00  | -     |
| A1       | 0.002     | -     | 0.05        | -     | -     |
| A2       | 0.065     | 0.072 | 1.65        | 1.85  | -     |
| B        | 0.009     | 0.014 | 0.22        | 0.38  | 9     |
| C        | 0.004     | 0.009 | 0.09        | 0.25  | -     |
| D        | 0.390     | 0.413 | 9.90        | 10.50 | 3     |
| E        | 0.197     | 0.220 | 5.00        | 5.60  | 4     |
| e        | 0.026 BSC |       | 0.65 BSC    |       | -     |
| H        | 0.292     | 0.322 | 7.40        | 8.20  | -     |
| L        | 0.022     | 0.037 | 0.55        | 0.95  | 6     |
| N        | 28        |       | 28          |       | 7     |
| $\alpha$ | 0°        | 8°    | 0°          | 8°    | -     |

**NOTES:**

1. Symbols are defined in the "MO Series Symbol List" in Section 2.2 of Publication Number 95.
2. Dimensioning and tolerancing per ANSI Y14.5M-1982.
3. Dimension "D" does not include mold flash, protrusions or gate burrs. Mold flash, protrusion and gate burrs shall not exceed 0.20mm (0.0078 inch) per side.
4. Dimension "E" does not include interlead flash or protrusions. Interlead flash and protrusions shall not exceed 0.20mm (0.0078 inch) per side.
5. The chamfer on the body is optional. If it is not present, a visual index feature must be located within the crosshatched area.
6. "L" is the length of terminal for soldering to a substrate.
7. "N" is the number of terminal positions.
8. Terminal numbers are shown for reference only.
9. Dimension "B" does not include dambar protrusion. Allowable dambar protrusion shall be 0.13mm (0.005 inch) total in excess of "B" dimension at maximum material condition.
10. Controlling dimension: MILLIMETER. Converted inch dimensions are not necessarily exact.

Rev. 2 6/05

**Metric Plastic Quad Flatpack Packages (MQFP)**



**Q44.10x10 (JEDEC MS-022AB ISSUE B)  
44 LEAD METRIC PLASTIC QUAD FLATPACK PACKAGE**

| SYMBOL | INCHES    |       | MILLIMETERS |       | NOTES |
|--------|-----------|-------|-------------|-------|-------|
|        | MIN       | MAX   | MIN         | MAX   |       |
| A      | -         | 0.096 | -           | 2.45  | -     |
| A1     | 0.004     | 0.010 | 0.10        | 0.25  | -     |
| A2     | 0.077     | 0.083 | 1.95        | 2.10  | -     |
| b      | 0.012     | 0.018 | 0.30        | 0.45  | 6     |
| b1     | 0.012     | 0.016 | 0.30        | 0.40  | -     |
| D      | 0.515     | 0.524 | 13.08       | 13.32 | 3     |
| D1     | 0.389     | 0.399 | 9.88        | 10.12 | 4, 5  |
| E      | 0.516     | 0.523 | 13.10       | 13.30 | 3     |
| E1     | 0.390     | 0.398 | 9.90        | 10.10 | 4, 5  |
| L      | 0.029     | 0.040 | 0.73        | 1.03  | -     |
| N      | 44        |       | 44          |       | 7     |
| e      | 0.032 BSC |       | 0.80 BSC    |       | -     |

Rev. 2 4/99

**NOTES:**

- Controlling dimension: MILLIMETER. Converted inch dimensions are not necessarily exact.
- All dimensions and tolerances per ANSI Y14.5M-1982.
- Dimensions D and E to be determined at seating plane **-C-**.
- Dimensions D1 and E1 to be determined at datum plane **-H-**.
- Dimensions D1 and E1 do not include mold protrusion. Allowable protrusion is 0.25mm (0.010 inch) per side.
- Dimension b does not include dambar protrusion. Allowable dambar protrusion shall be 0.08mm (0.003 inch) total.
- "N" is the number of terminal positions.

© Copyright Intersil Americas LLC 2004-2015. All Rights Reserved.  
All trademarks and registered trademarks are the property of their respective owners.

For additional products, see [www.intersil.com/en/products.html](http://www.intersil.com/en/products.html)

Intersil products are manufactured, assembled and tested utilizing ISO9001 quality systems as noted in the quality certifications found at [www.intersil.com/en/support/qualandreliability.html](http://www.intersil.com/en/support/qualandreliability.html)

Intersil products are sold by description only. Intersil may modify the circuit design and/or specifications of products at any time without notice, provided that such modification does not, in Intersil's sole judgment, affect the form, fit or function of the product. Accordingly, the reader is cautioned to verify that datasheets are current before placing orders. Information furnished by Intersil is believed to be accurate and reliable. However, no responsibility is assumed by Intersil or its subsidiaries for its use; nor for any infringements of patents or other rights of third parties which may result from its use. No license is granted by implication or otherwise under any patent or patent rights of Intersil or its subsidiaries.

For information regarding Intersil Corporation and its products, see [www.intersil.com](http://www.intersil.com)