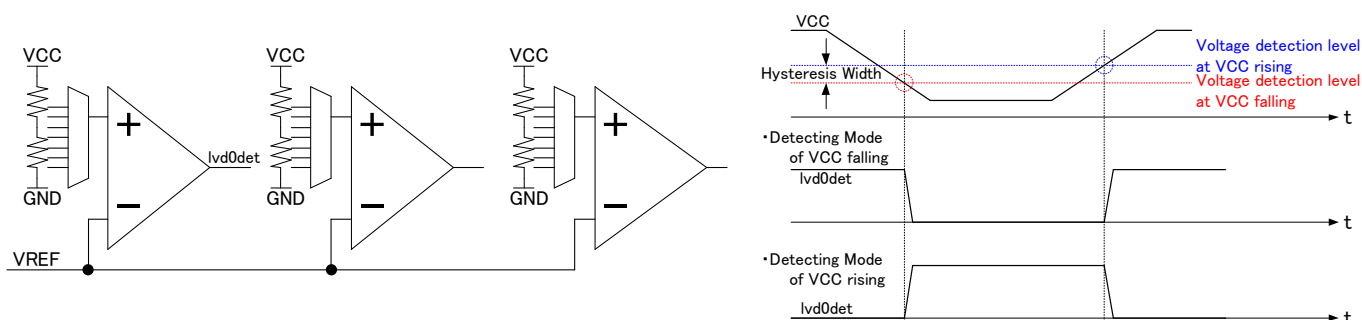


Voltage Detector Datasheet

Voltage Detector (3ch)

Overview

This Voltage Detector is to check power supply level operating at lower power supply voltage and low current consumption on T40ULP ESF3. The detection level can be selected from 1.52V to 3.72V at 45 steps. The detector has 2 modes, rise detection mode and fall detection mode.



Key Features

General

- Voltage Detector 3ch
- 45 levels for VCC monitoring about 50mV steps
- Hysteresis function
- Available Detecting of VCC falling/ Detecting of VCC rising mode
- Output load =< 1 [pF]

Electrical characteristics

Item	Unit	Spec			Remark	
		MIN	TYP	MAX		
Power Supply AVCC	V	1.42	-	3.63		
Temperature	°C	-40	25	125		
EM lifetime	-	10 years of continuous at 110°C				
Supply Current	CS+COMPx1chON	uA	-	3	6	
	CS+COMPx3chON	uA	-	7.5	12.5	
Sleep Current	uA	-	-	0.6		
VREF	V	-	0.8	-		
Voltage detection level	AVCC falling	V	1.52	-	3.72	
	AVCC rising	V	1.59	-	3.79	
Input offset	mV	-80	-	80	VREF error : ±1%	
Hysteresis Width	mV	-	70	-		
Response delay	us	-	-	200		
Voltage detector operation stabilization time	us	-	-	40		
Area	mm ²	-	-	0.054		

**This IP is contract design IP. Please contact for detail.*