

ISL23511

Single Push Button Controlled Potentiometer (XDCP™) Low Noise, Low Power, 32 Taps, Push Button Controlled Potentiometer

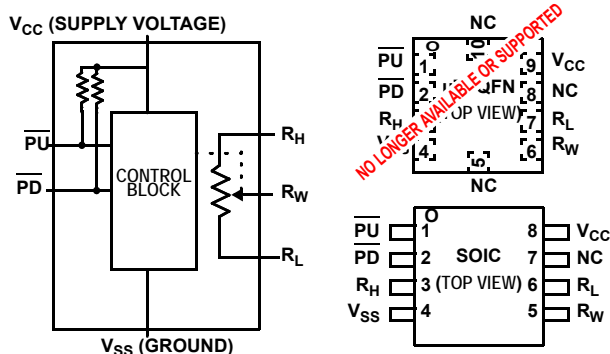
FN6588
Rev 2.00
September 9, 2015

The Intersil ISL23511 is a three-terminal digitally-controlled potentiometer (XDCP) implemented by a resistor array composed of 31 resistive elements and a wiper switching network. The ISL23511 features a push button control, a shutdown mode, as well as an industry-leading μ TQFN package.

The push button control has individual $\overline{\text{PU}}$ and $\overline{\text{PD}}$ inputs for adjusting the wiper. To eliminate redundancy, the wiper position will automatically increment or decrement if one of these inputs is held longer than 1s.

Forcing both $\overline{\text{PU}}$ and $\overline{\text{PD}}$ low for more than 2s activates shutdown mode. Shutdown mode disconnects the top of the resistor chain and moves the wiper to the lowest position, minimizing power consumption.

The three terminals accessing the resistor chain naturally configure the ISL23511 as a voltage divider. A rheostat is easily formed by floating an end terminal or connecting it to the wiper.



Features

- Solid-state volatile potentiometer
- Push button controlled
- Single or Auto increment/decrement
 - Fast Mode after 1s button press
- Shutdown Mode
- 32 wiper tap points
 - Zero scale wiper position on power-up
- Low power CMOS
 - $V_{CC} = 2.7V$ to $5.5V$
 - Terminal voltage, 0 to V_{CC}
 - Standby current, $3\mu A$ max
- R_{TOTAL} value = $10k\Omega$, $50k\Omega$
- Packages
 - 8 Ld SOIC and 10 Ld μ TQFN (2.1mmx1.6mm)
- Pb-free (RoHS compliant)

Applications

- Volume Control
- LED/LCD Brightness Control
- Contrast Control
- Programming Bias Voltages
- Ladder Networks

Ordering Information

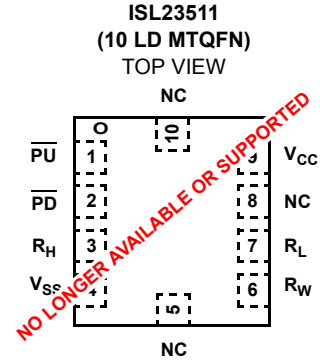
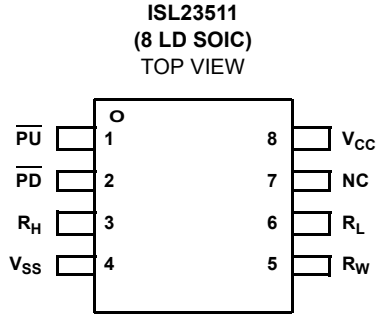
| PART NUMBER | PART MARKING | R_{TOTAL} (k Ω) | TEMP. RANGE (°C) | PACKAGE (Pb-free) | PKG. DWG. # |
|--|--------------|---------------------------|------------------|-------------------|--------------|
| ISL23511WFB8Z* (Note 1) | 23511 WFBZ | 10 | -40 to +125 | 8 Ld SOIC | M8.15 |
| ISL23511WFRU10Z-TK (Note 2) (No longer available or supported) | GA | 10 | -40 to +125 | 10 Ld μ TQFN | L10.2.1x1.6A |

*Add "-TK" suffix for tape and reel. Please refer to TB347 for details on reel specifications.

NOTES:

1. These Intersil Pb-free plastic packaged products employ special Pb-free material sets; molding compounds/die attach materials and 100% matte tin plate PLUS ANNEAL - e3 termination finish, which is RoHS compliant and compatible with both SnPb and Pb-free soldering operations. Intersil Pb-free products are MSL classified at Pb-free peak reflow temperatures that meet or exceed the Pb-free requirements of IPC/JEDEC J STD-020.
2. These Intersil Pb-free plastic packaged products employ special Pb-free material sets; molding compounds/die attach materials and NiPdAu plate - e4 termination finish, which is RoHS compliant and compatible with both SnPb and Pb-free soldering operations. Intersil Pb-free products are MSL classified at Pb-free peak reflow temperatures that meet or exceed the Pb-free requirements of IPC/JEDEC J STD-020.

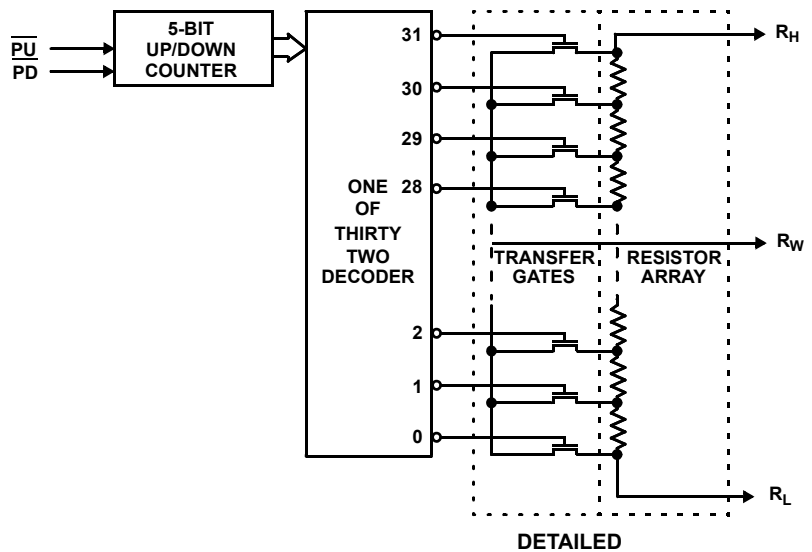
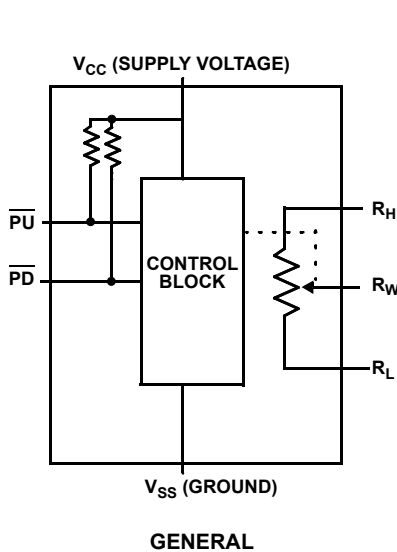
Pinouts



Pin Descriptions

| SOIC PIN | μ TQFN PIN | SYMBOL | BRIEF DESCRIPTION |
|----------|----------------|-----------------|--|
| 1 | 1 | \overline{PU} | The \overline{PU} is a negative-edge triggered input with internal pull-up. Toggling \overline{PU} will move the wiper close to R_H terminal. |
| 2 | 2 | \overline{PD} | The \overline{PD} is a negative-edge triggered input with internal pull-up. Toggling \overline{PD} will move the wiper close to R_L terminal. |
| 3 | 3 | R_H | The R_H and R_L pins of the ISL23511 are equivalent to the fixed terminals of a mechanical potentiometer. The minimum voltage is V_{SS} and the maximum is V_{CC} . The terminology of R_H and R_L references the relative position of the terminal in relation to wiper movement direction selected by the $\overline{PU}/\overline{PD}$ input. |
| 4 | 4 | V_{SS} | Ground |
| 5 | 6 | R_W | The R_W pin is the wiper terminal of the potentiometer, which is equivalent to the movable terminal of a mechanical potentiometer. |
| 6 | 7 | R_L | The R_H and R_L pins of the ISL23511 are equivalent to the fixed terminals of a mechanical potentiometer. The minimum voltage is V_{SS} and the maximum is V_{CC} . The terminology of R_H and R_L references the relative position of the terminal in relation to wiper movement direction selected by the $\overline{PU}/\overline{PD}$ input. |
| 7 | 5, 8, 10 | NC | No connection |
| 8 | 9 | V_{CC} | Supply Voltage |

Block Diagrams



Absolute Maximum Ratings

| | |
|--|----------------------------|
| Storage Temperature | -65°C to +150°C |
| Voltage at PU and PD Pin with Respect to GND | -0.3V to $V_{CC} + 0.3$ |
| V_{CC} | -0.3V to +6V |
| Voltage at any DCP Pin with Respect to GND | -0.3V to V_{CC} |
| I_W (10s) | ±6mA |
| Latchup | Class II, Level A @ +125°C |
| ESD Rating | |
| Human Body Model | 3kV |
| Machine Model | 250V |

Thermal Information

| | | |
|--|---|----------------------|
| Thermal Resistance (Typical, Note 3, 4) | θ_{JA} (°C/W) | θ_{JC} (°C/W) |
| 8 Lead SOIC | 120 | |
| 10 Lead μ TQFN | 150 | 48.3 |
| Maximum Junction Temperature (Plastic Package) | +150°C | |
| Pb-free Reflow Profile | see link below | |
| | http://www.intersil.com/pbfree/Pb-FreeReflow.asp | |

Recommended Operating Conditions

| | |
|---|-----------------|
| Temperature Range (Extended Industrial) | -40°C to +125°C |
| V_{CC} | 2.7V to 5.5V |
| Power Rating | 15mW |
| Wiper Current | ±3.0mA |

CAUTION: Do not operate at or near the maximum ratings listed for extended periods of time. Exposure to such conditions may adversely impact product reliability and result in failures not covered by warranty.

NOTES:

- θ_{JA} is measured with the component mounted on a high effective thermal conductivity test board in free air. See Tech Brief TB379 for details.
- For θ_{JC} , the "case temp" location is the center of the exposed metal pad on the package underside.

Potentiometer Specifications Over recommended operating conditions, unless otherwise specified.

| SYMBOL | PARAMETER | TEST CONDITIONS | MIN (Note 18) | TYP (Note 5) | MAX (Note 18) | UNIT |
|---|---|---|------------------|-----------------|------------------|---------------------|
| R_{TOTAL} | R_H to R_L Resistance | W option | | 10 | | k Ω |
| | | U option | | 50 | | k Ω |
| | R_H to R_L Resistance Tolerance | | -20 | | +20 | % |
| | | End-to-End Temperature Coefficient | W option | | ±80 | |
| | | U option | | ±125 | | ppm/°C (Note 16) |
| R_W | Wiper Resistance | $V_{CC} = 3.3V$, wiper current $I_{RW} = V_{CC}/R_{TOTAL}$ | | 130 | 400 | Ω |
| V_{RH}, V_{RL} | V_{RH} and V_{RL} Terminal Voltages | V_{RH} and V_{RL} to GND | 0 | | V_{CC} | V |
| | Noise on Wiper Terminal | From 0Hz to 10MHz | | -80 | | dBV |
| $C_H/C_L/C_W$ (Note 17) | Potentiometer Capacitance | | | 10/10/25 | | pF |
| I_{LkgDCP} | Leakage on DCP Pins | Voltage at pin from GND to V_{CC} | | 0.05 | 0.4 | μA |
| VOLTAGE DIVIDER MODE (0V @ R_L; V_{CC} @ R_H; measured at R_W unloaded) | | | | | | |
| INL (Note 10) | Integral Non-linearity | | -1 | | 1 | LSB (Note 6) |
| DNL (Note 9) | Differential Non-linearity | Monotonic over all tap positions | -0.5 | | 0.5 | LSB (Note 6) |
| ZSerror (Note 7) | Zero-scale Error | W option | 0 | 0.3 | 3 | LSB (Note 6) |
| | | U option | 0 | 0.3 | 1 | |
| FSerror (Note 8) | Full-scale Error | W option | -3 | -0.3 | 0 | LSB (Note 6) |
| | | U option | -1 | -0.3 | 0 | |
| TC_V (Note 11) | Ratiometric Temperature Coefficient | Wiper from 5 hex to 1F hex for W and U option | | ±25 | | ppm/°C |
| f_{CUTOFF} | 3dB Cut-Off Frequency | Wiper at the middle scale, W option | | 500 | | kHz |
| | | Wiper at the middle scale, U option | | 75 | | kHz |
| RESISTOR MODE (Measurements between R_W and R_L with R_H not connected, or between R_W and R_H with R_L not connected) | | | | | | |
| RINL (Note 15) | Integral Non-linearity | DCP register set between 1 hex and 1F hex; monotonic over all tap positions; W option | -1.5 | | 1.5 | MI (Note 12) |
| | | DCP register set between 1 hex and 1F hex; monotonic over all tap positions; U option | -1 | | 1 | MI (Note 12) |

Potentiometer Specifications Over recommended operating conditions, unless otherwise specified. (Continued)

| SYMBOL | PARAMETER | TEST CONDITIONS | MIN (Note 18) | TYP (Note 5) | MAX (Note 18) | UNIT |
|----------------------|----------------------------|-----------------|------------------|-----------------|------------------|-----------------|
| RDNL (Note 14) | Differential Non-linearity | W and U option | -0.5 | | 0.5 | MI (Note 12) |
| Roffset (Note 13) | Offset | W option | 0 | 1 | 3 | MI (Note 12) |
| | | U option | 0 | 0.5 | 1 | MI (Note 12) |

DC Electrical Specifications Over recommended operating conditions unless otherwise specified.

| SYMBOL | PARAMETER | TEST CONDITIONS | MIN (Note 18) | TYP (Note 5) | MAX (Note 18) | UNIT |
|------------------------------|--|--|-----------------------|-----------------|-----------------------|------|
| I _{CC} | V _{CC} Active Current | V _{CC} = 5.5V, perform wiper move operation | | | 150 | μA |
| I _{SB} | Standby Current | | | 0.6 | 3 | μA |
| I _{Lkg} | \overline{PU} , \overline{PD} Input Leakage Current | V _{IN} = V _{SS} to V _{CC} | -2 | | +2 | μA |
| V _{IH} | \overline{PU} , \overline{PD} Input HIGH Voltage | | V _{CC} x 0.7 | | | V |
| V _{IL} | \overline{PU} , \overline{PD} input LOW Voltage | | | | V _{CC} x 0.1 | V |
| C _{IN} (Note 17) | \overline{PU} , \overline{PD} Input Capacitance | V _{CC} = 3.3V, T _A = +25°C, f = 1MHz | | 10 | | pF |
| Rpull_up (Note 17) | Pull-up Resistor for \overline{PU} and \overline{PD} | | | 1 | | MΩ |

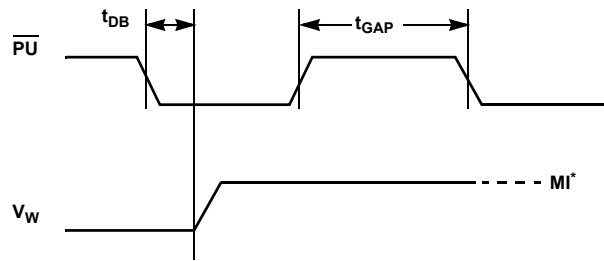
AC Electrical Specifications Over recommended operating conditions unless otherwise specified.

| SYMBOL | PARAMETER | MIN (Note 18) | TYP (Note 5) | MAX (Note 18) | UNIT |
|--------------------------------|--|------------------|-----------------|------------------|------|
| t _{GAP} | Time Between Two Separate Push Button Events | 2 | | | ms |
| t _{DB} | Debounce Time | | 15 | 30 | ms |
| t _{S SLOW} | Wiper Change on a Slow Mode | 100 | 250 | 375 | ms |
| t _{S FAST} | Wiper Change on a Fast Mode | 25 | 50 | 75 | ms |
| t _{stdn} (Note 17) | Time to Enter Shutdown Mode (keep \overline{PU} and \overline{PD} LOW) | | 2 | | s |
| t _{R VCC} | V _{CC} Power-up Rate | 0.2 | | 50 | V/ms |

NOTES:

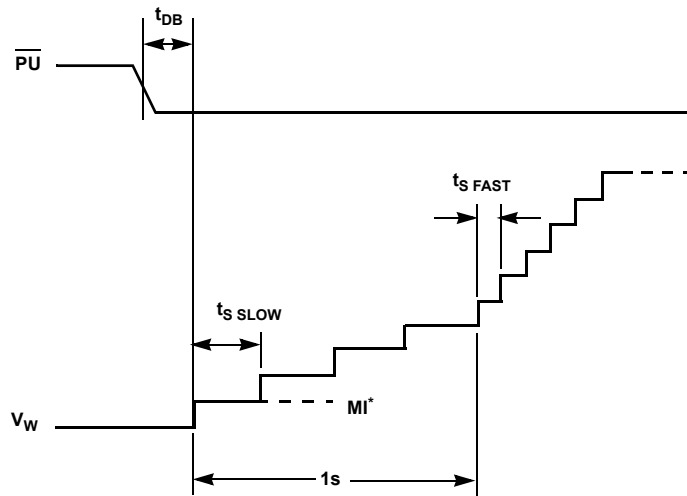
- Typical values are for T_A = +25°C and 3.3V supply voltage.
- LSB: $[V(RW)_{31} - V(RW)_0]/31$. V(RW)₃₁ and V(RW)₀ are voltage on RW pin for the DCP register set to 1F hex and 00 hex respectively. LSB is the incremental voltage when changing from one tap to an adjacent tap.
- ZS error = V(RW)₀/LSB.
- FS error = $[V(RW)_{31} - V_{CC}]/LSB$.
- DNL = $[V(RW)_i - V(RW)_{i-1}]/LSB - 1$, for i = 1 to 31; i is the DCP register setting.
- INL = $[V(RW)_i - i \cdot LSB - V(RW)]/LSB$ for i = 1 to 31
- $T_{CV} = \frac{\text{Max}(V(RW)_i) - \text{Min}(V(RW)_i)}{[\text{Max}(V(RW)_i) + \text{Min}(V(RW)_i)]/2} \times \frac{10^6}{+165^\circ\text{C}}$ voltage and Min () is the minimum value of the wiper voltage over the temperature range. for i = 5 to 31 decimal, T = -40°C to +125°C. Max () is the maximum value of the wiper
- MI = $|RW_{31} - RW_0|/31$. MI is a minimum increment. RW₃₁ and RW₀ are the measured resistances for the DCP register set to 1F hex and 00 hex respectively.
- Roffset = RW₀/MI, when measuring between RW and RL.
Roffset = RW₃₁/MI, when measuring between RW and RH.
- RDNL = (RW_i - RW_{i-1})/MI, for i = 1 to 31.
- RINL = [RW_i - (MI • i) - RW₀]/MI, for i = 1 to 31.
- $T_{CR} = \frac{[\text{Max}(Ri) - \text{Min}(Ri)]}{[\text{Max}(Ri) + \text{Min}(Ri)]/2} \times \frac{10^6}{+165^\circ\text{C}}$ for i = 5 to 31, T = -40°C to +125°C. Max () is the maximum value of the resistance and Min () is the minimum value of the resistance over the temperature range.
- Limits should be considered typical and are not production tested.
- Parts are 100% tested at +25°C. Over-temperature limits established by characterization and are not production tested.

Slow Mode Timing



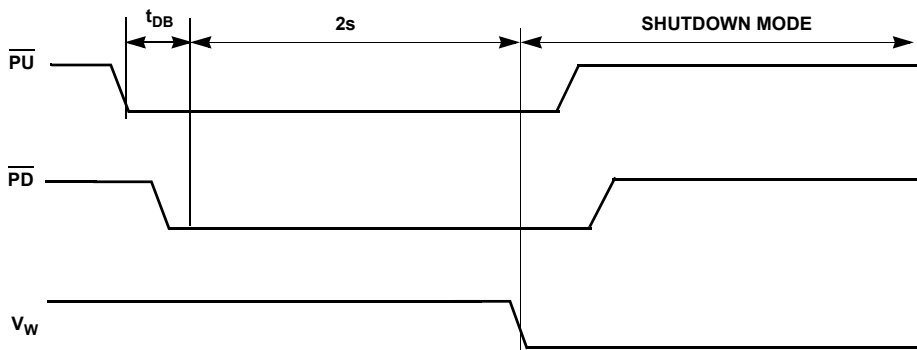
* MI in the AC timing diagram refers to the minimum incremental change in the wiper voltage.

Fast Mode Timing



* MI in the AC timing diagram refers to the minimum incremental change in the wiper voltage.

Shutdown Mode Timing



Typical Performance Curves

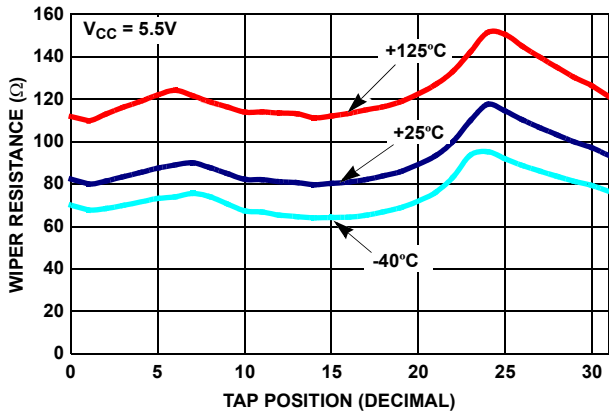


FIGURE 1. WIPER RESISTANCE vs TAP POSITION [$I(RW) = V_{CC}/R_{TOTAL}$] FOR 10kΩ (W)

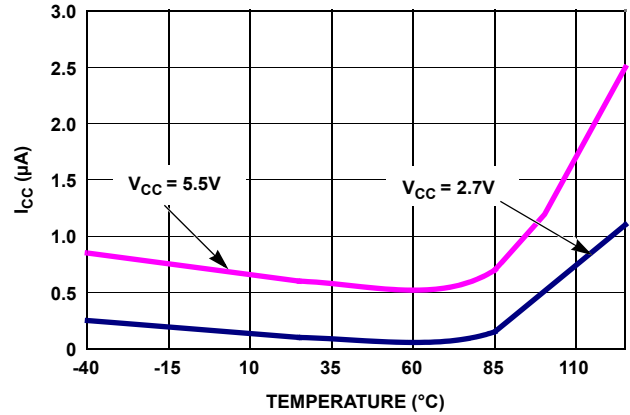


FIGURE 2. STANDBY I_{CC} vs TEMPERATURE

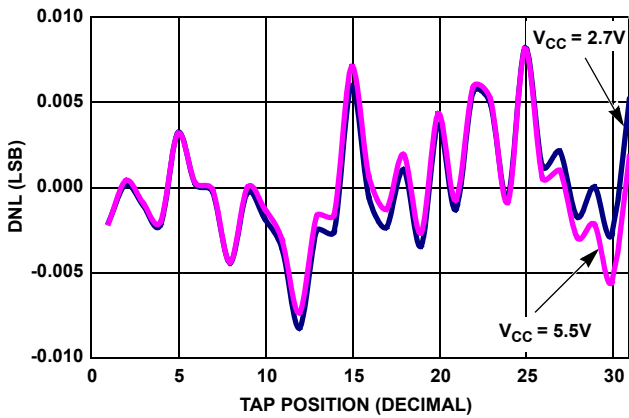


FIGURE 3. DNL vs TAP POSITION IN VOLTAGE DIVIDER MODE FOR 10kΩ (W)

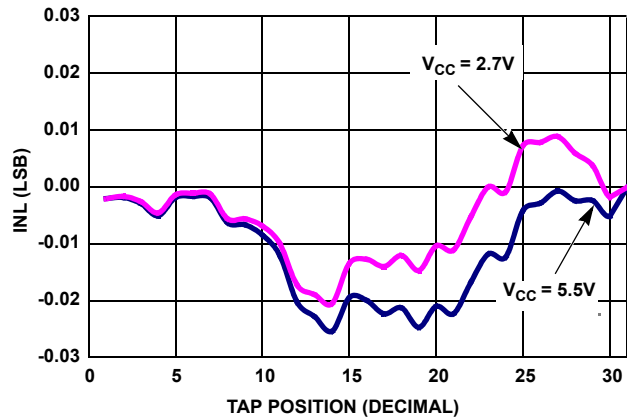


FIGURE 4. INL vs TAP POSITION IN VOLTAGE DIVIDER MODE FOR 10kΩ (W)

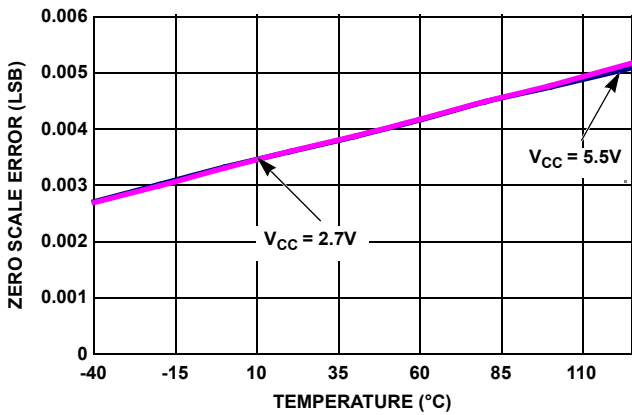


FIGURE 5. ZS ERROR vs TEMPERATURE

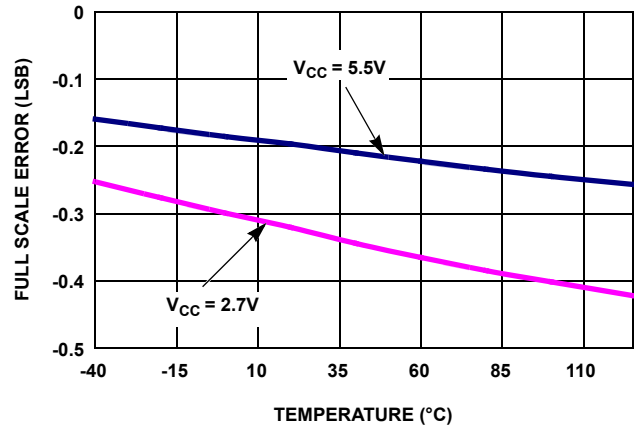


FIGURE 6. FS ERROR vs TEMPERATURE

Typical Performance Curves (Continued)

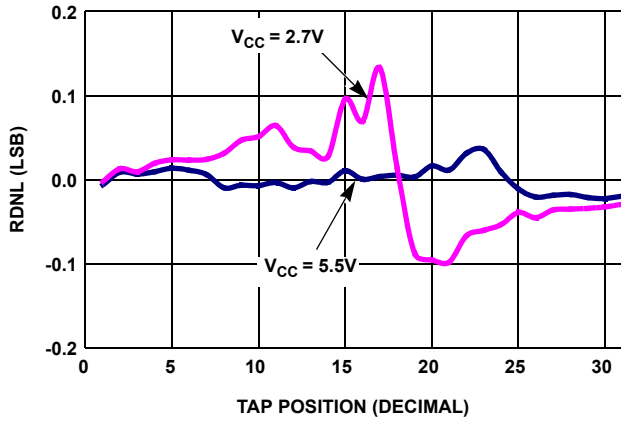


FIGURE 7. DNL vs TAP POSITION IN RHEOSTAT MODE FOR 10kΩ (W)

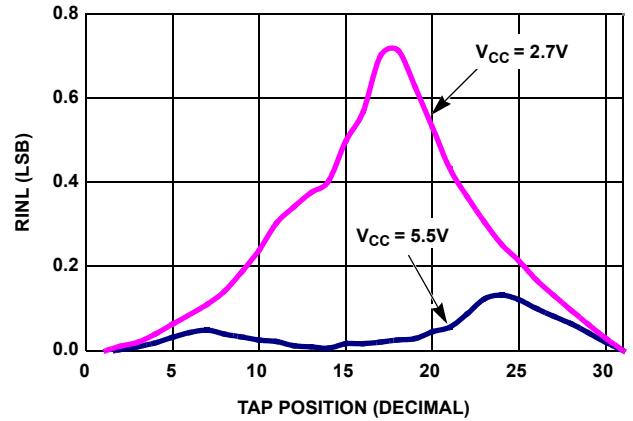


FIGURE 8. INL vs TAP POSITION IN RHEOSTAT MODE FOR 10kΩ (W)

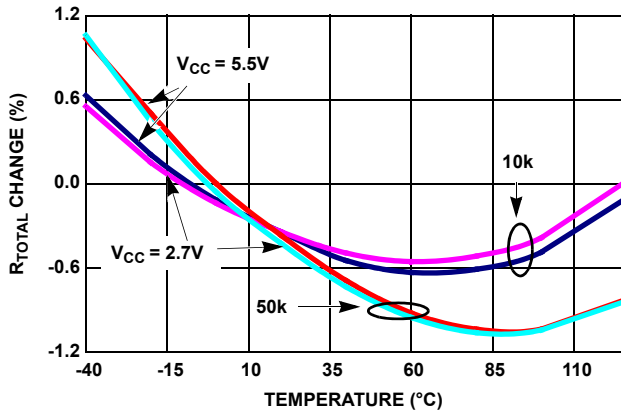


FIGURE 9. END-TO-END R_{TOTAL} % CHANGE vs TEMPERATURE

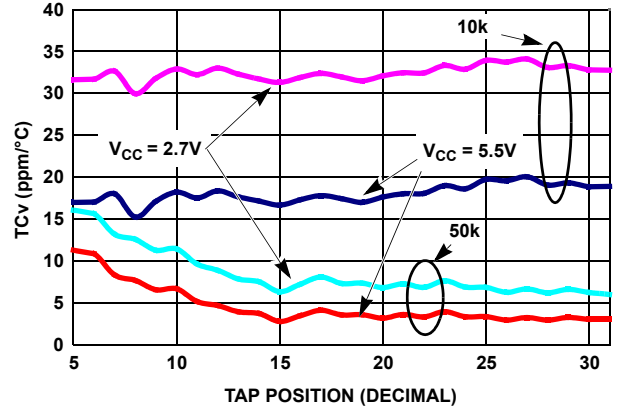


FIGURE 10. TC FOR VOLTAGE DIVIDER MODE IN ppm

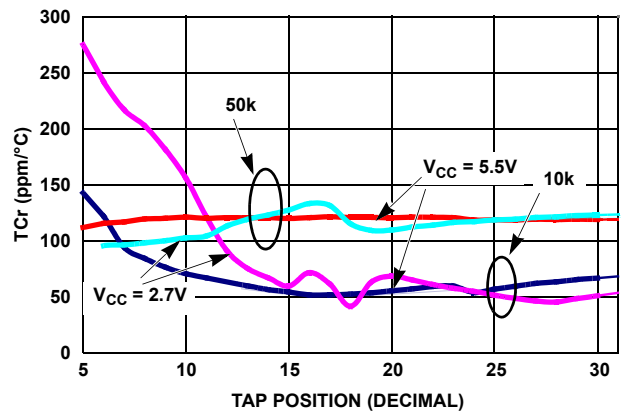


FIGURE 11. TC FOR RHEOSTAT MODE IN ppm

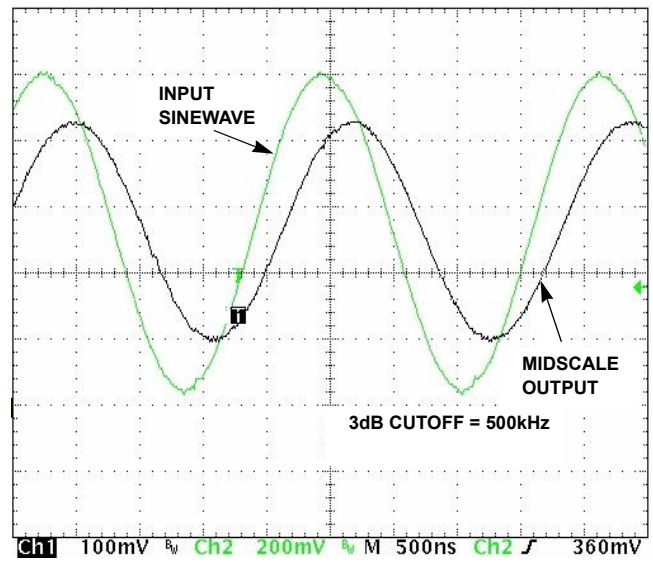


FIGURE 12. FREQUENCY RESPONSE (500kHz)

Power-up and Power-down Requirements

There are no restrictions on the power-up or power-down conditions of V_{CC} and the voltages applied to the potentiometer pins provided that V_{CC} is always more positive than or equal to V_{RH} and V_{RL} , i.e., $V_{CC} \geq V_{RH}, V_{RL}$. The V_{CC} ramp rate specification is always in effect.

Pin Descriptions

R_H and R_L

The R_H and R_L pins of the ISL23511 are equivalent to the fixed terminals of a mechanical potentiometer. The minimum voltage is V_{SS} and the maximum is V_{CC} . The terminology of R_H and R_L references the relative position of the terminal in relation to wiper movement direction.

R_W

The R_W pin is the wiper terminal of the potentiometer which is equivalent to the movable terminal of a mechanical potentiometer. The default wiper position at power-up is at 0 tap.

\overline{PU}

The debounced \overline{PU} input is used to increment the wiper position. An on-chip pull-up holds the \overline{PU} input HIGH. A switch closure to ground or a LOW logic level will, after a debounce time, move the wiper to the next adjacent higher tap position.

\overline{PD}

The debounced \overline{PD} input is used to decrement the wiper position. An on-chip pull-up holds the \overline{PD} input HIGH. A switch closure to ground or a LOW logic level will, after a debounce time, move the wiper to the next adjacent lower tap position.

Device Operation

There are three sections of the ISL23511: the input control, the counter and decode section and the resistor array. The input control section operates just like an up/down counter. The output of this counter is decoded to turn on a single electronic switch, connecting a point on the resistor array to the wiper output. The resistor array is comprised of 31 individual resistors connected in series. At either end of the array and between each resistor is an electronic switch that transfers the potential at that point to the wiper.

The ISL23511 is designed to interface directly to two push button switches for effectively moving the wiper up or down. The \overline{PU} and \overline{PD} inputs increment or decrement a 5-bit counter respectively. The output of this counter is decoded to select one of the thirty-two wiper positions along the resistive array. The wiper increment input, \overline{PU} and the wiper decrement input, \overline{PD} are both connected to an internal pull-up so that they normally remain HIGH. When pulled LOW by an external push button switch or a logic LOW level input, the wiper will be switched to the next adjacent tap position.

Internal debounce circuitry prevents inadvertent switching of the wiper position if \overline{PU} or \overline{PD} remain LOW for less than 15ms, typical. Each of the buttons can be pushed either once for a single increment/decrement or continuously for a multiple increments/decrements. The number of increments/decrements of the wiper position depend on how long the button is being pushed. When making a continuous push, after the first second, the increment/decrement speed increases. For the first second, the device will be in the slow scan mode. Then, if the button is held for longer than 1s, the device will go into the fast scan mode. As soon as the button is released, the ISL23511 will return to a stand-by condition.

If both \overline{PU} and \overline{PD} buttons are pulled low more than 15ms from each other, all commands are ignored upon release of ALL buttons.

The wiper, when at either fixed terminal, acts like its mechanical equivalent and does not move beyond the last position. That is, the counter does not wrap around when clocked to either extreme.

Shutdown Mode

The ISL23511 enters into Shutdown Mode if both \overline{PU} and \overline{PD} inputs are kept LOW for 2s. In this mode, the resistors array is totally disconnected from its R_H pin and the wiper is moved to the position closest to the R_L pin, as shown in Figure 13.

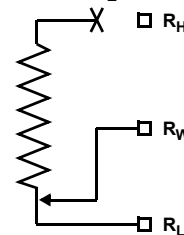


FIGURE 13. DCP CONNECTION IN SHUTDOWN MODE

Note that \overline{PU} and \overline{PD} inputs must be brought LOW within t_{DB} time window of 15ms (see “Shutdown Mode Timing” on page 5) otherwise all commands will be ignored until both inputs are released.

Holding either \overline{PU} or \overline{PD} input LOW for more than 15ms will exit shutdown mode and return wiper to prior shutdown position. If \overline{PU} or \overline{PD} will be held LOW for more than 250ms, the ISL23511 will start auto-increment or auto-decrement of wiper position.

R_{TOTAL} with V_{CC} Removed

The end-to-end resistance of the array will fluctuate once V_{CC} is removed.

Revision History

The revision history provided is for informational purposes only and is believed to be accurate, but not warranted. Please go to the web to make sure that you have the latest revision.

| DATE | REVISION | CHANGE |
|-------------------|----------|--|
| September 9, 2015 | FN6588.2 | <ul style="list-style-type: none"> - Ordering Information Table on page 1. - Added Revision History. - Added About Intersil Verbiage. - Updated POD M8.15 to most current revision with changes as follows: - Revision 1 to Revision 2 Changes: <ul style="list-style-type: none"> Updated to new POD format by removing table and moving dimensions onto drawing and adding land pattern - Revision 2 to Revision 3 Changes: <ul style="list-style-type: none"> Changed in Typical Recommended Land Pattern the following: <ul style="list-style-type: none"> 2.41(0.095) to 2.20(0.087) 0.76 (0.030) to 0.60(0.023) 0.200 to 5.20(0.205) - Revision 3 to Revision 4 Changes: <ul style="list-style-type: none"> Changed Note 1 "1982" to "1994" |

About Intersil

Intersil Corporation is a leading provider of innovative power management and precision analog solutions. The company's products address some of the largest markets within the industrial and infrastructure, mobile computing and high-end consumer markets.

For the most updated datasheet, application notes, related documentation and related parts, please see the respective product information page found at www.intersil.com.

You may report errors or suggestions for improving this datasheet by visiting www.intersil.com/ask.

Reliability reports are also available from our website at www.intersil.com/support.

© Copyright Intersil Americas LLC 2007-2015. All Rights Reserved.
All trademarks and registered trademarks are the property of their respective owners.

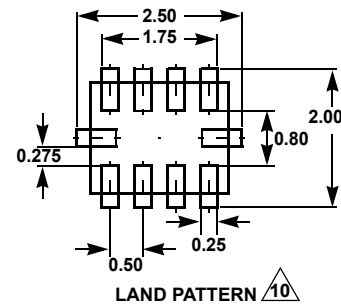
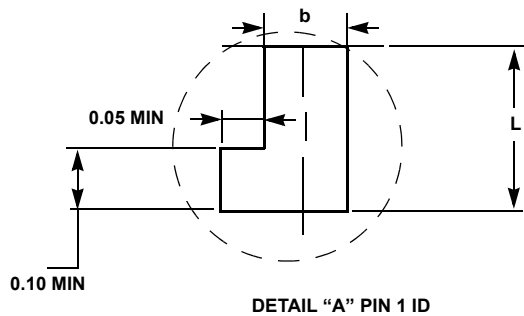
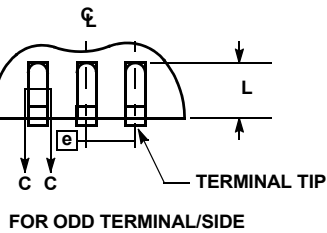
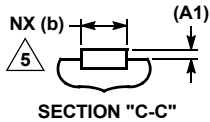
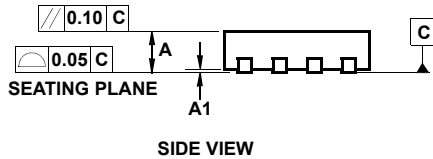
For additional products, see www.intersil.com/en/products.html

Intersil products are manufactured, assembled and tested utilizing ISO9001 quality systems as noted in the quality certifications found at www.intersil.com/en/support/qualandreliability.html

Intersil products are sold by description only. Intersil may modify the circuit design and/or specifications of products at any time without notice, provided that such modification does not, in Intersil's sole judgment, affect the form, fit or function of the product. Accordingly, the reader is cautioned to verify that datasheets are current before placing orders. Information furnished by Intersil is believed to be accurate and reliable. However, no responsibility is assumed by Intersil or its subsidiaries for its use; nor for any infringements of patents or other rights of third parties which may result from its use. No license is granted by implication or otherwise under any patent or patent rights of Intersil or its subsidiaries.

For information regarding Intersil Corporation and its products, see www.intersil.com

Ultra Thin Quad Flat No-Lead Plastic Package (UTQFN)



L10.2.1x1.6A

10 LEAD ULTRA THIN QUAD FLAT NO-LEAD PLASTIC PACKAGE

| SYMBOL | MILLIMETERS | | | NOTES |
|--------|-------------|---------|------|-------|
| | MIN | NOMINAL | MAX | |
| A | 0.45 | 0.50 | 0.55 | - |
| A1 | - | - | 0.05 | - |
| A3 | 0.127 REF | | | - |
| b | 0.15 | 0.20 | 0.25 | 5 |
| D | 2.05 | 2.10 | 2.15 | - |
| E | 1.55 | 1.60 | 1.65 | - |
| e | 0.50 BSC | | | - |
| k | 0.20 | - | - | - |
| L | 0.35 | 0.40 | 0.45 | - |
| N | 10 | | | 2 |
| Nd | 4 | | | 3 |
| Ne | 1 | | | 3 |
| θ | 0 | - | 12 | 4 |

Rev. 3 6/06

NOTES:

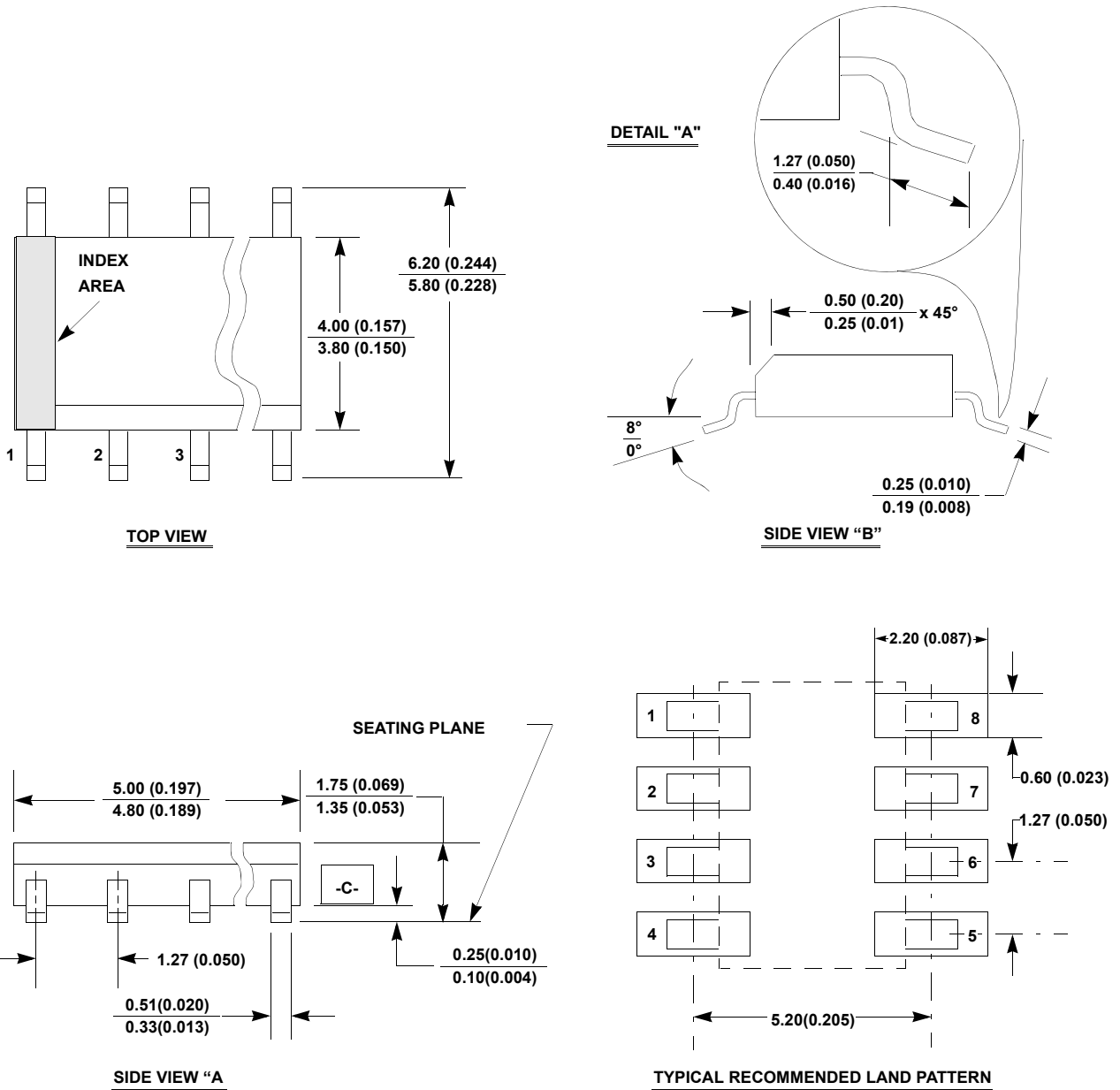
1. Dimensioning and tolerancing conform to ASME Y14.5-1994.
2. N is the number of terminals.
3. Nd and Ne refer to the number of terminals on D and E side, respectively.
4. All dimensions are in millimeters. Angles are in degrees.
5. Dimension b applies to the metallized terminal and is measured between 0.15mm and 0.30mm from the terminal tip.
6. The configuration of the pin #1 identifier is optional, but must be located within the zone indicated. The pin #1 identifier may be either a mold or mark feature.
7. Maximum package warpage is 0.05mm.
8. Maximum allowable burrs is 0.076mm in all directions.
9. Same as JEDEC MO-255UABD except:
No lead-pull-back, "A" MIN dimension = 0.45 not 0.50mm
"L" MAX dimension = 0.45 not 0.42mm.
10. For additional information, to assist with the PCB Land Pattern Design effort, see Intersil Technical Brief TB389.

Package Outline Drawing

M8.15

8 LEAD NARROW BODY SMALL OUTLINE PLASTIC PACKAGE

Rev 4, 1/12



NOTES:

1. Dimensioning and tolerancing per ANSI Y14.5M-1994.
2. Package length does not include mold flash, protrusions or gate burrs. Mold flash, protrusion and gate burrs shall not exceed 0.15mm (0.006 inch) per side.
3. Package width does not include interlead flash or protrusions. Interlead flash and protrusions shall not exceed 0.25mm (0.010 inch) per side.
4. The chamfer on the body is optional. If it is not present, a visual index feature must be located within the crosshatched area.
5. Terminal numbers are shown for reference only.
6. The lead width as measured 0.36mm (0.014 inch) or greater above the seating plane, shall not exceed a maximum value of 0.61mm (0.024 inch).
7. Controlling dimension: MILLIMETER. Converted inch dimensions are not necessarily exact.
8. This outline conforms to JEDEC publication MS-012-AA ISSUE C.