

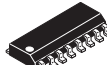
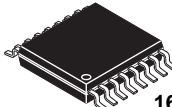


The MPC962309 is a zero delay buffer designed to distribute high-speed clocks. Available in a 16-pin SOIC or TSSOP package, the device accepts one reference input and drives nine low-skew clocks. The MPC962305 is the 8-pin version of the MPC962309 which drives five outputs with one reference input. The -1H versions of these devices have higher drive than the -1 devices and can operate up to 100/-133 MHz frequencies. These parts have on-chip PLLs which lock to an input clock presented on the REF pin. The PLL feedback is on-chip and is obtained from the CLOCKOUT pad.

Features

- 1:5 LVCMOS zero-delay buffer (MPC962305)
- 1:9 LVCMOS zero-delay buffer (MPC962309)
- Zero input-output propagation delay
- Multiple low-skew outputs
- 250 ps max output-output skew
- 700 ps max device-device skew
- Supports a clock I/O frequency range of 10 MHz to 133 MHz, compatible with CPU and PCI bus frequencies
- Low jitter, 200 ps max cycle-cycle, and compatible with Pentium® based systems
- Test Mode to bypass PLL (MPC962309 only. See [Table 3](#))
- 8-pin SOIC or 8-pin TSSOP package (MPC962305); 16-pin SOIC or 16-pin TSSOP package (MPC962309), all Pb-free
- Single 3.3 V supply
- Ambient temperature range: -40°C to +85°C
- Compatible with the CY2305, CY23S05, CY2309, CY23S09
- Spread spectrum compatible
- For drop in replacement for MPC962305 use 2305
- For drop in replacement for MPC962309 use 2309

MPC962305
MPC962309

| | |
|--|---|
|  | <p>EF SUFFIX 8-LEAD SOIC PACKAGE Pb-FREE PACKAGE CASE 751-06</p> |
|  | <p>EJ SUFFIX 8-LEAD TSSOP PACKAGE Pb-FREE PACKAGE CASE 948J-01</p> |
|  | <p>EF SUFFIX 16-LEAD SOIC PACKAGE Pb-FREE PACKAGE CASE 751B-05</p> |
|  | <p>EJ SUFFIX 16-LEAD TSSOP PACKAGE Pb-FREE PACKAGE CASE 948F-01</p> |

The MPC962309 has two banks of four outputs each, which can be controlled by the Select Inputs as shown in [Table 3](#). Bank B can be tri-stated if all of the outputs are not required. Select inputs also allow the input clock to be directly applied to the outputs for chip and system testing purposes.

The MPC962305 and MPC962309 PLLs enter a power down state when there are no rising edges on the REF input. During this state, all of the outputs are in tristate, the PLL is turned off, and there is less than 25.0 μA of current draw for the device. The PLL shuts down in one additional case as shown in [Table 3](#).

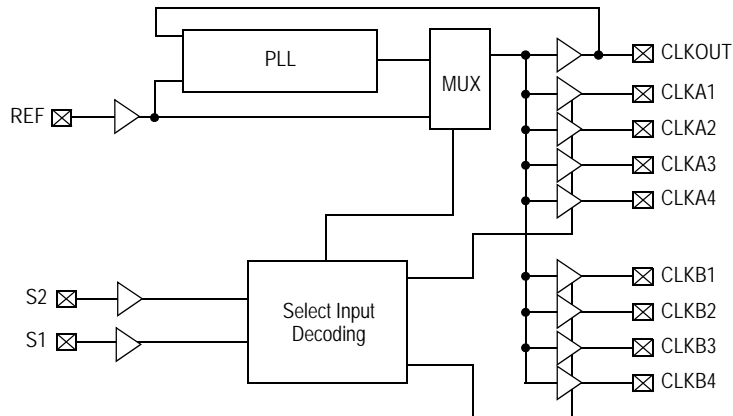
Multiple MPC962305 and MPC962309 devices can accept the same input clock and distribute it throughout the system. In this situation, the difference between the output skews of two devices will be less than 700 ps.

All outputs have less than 200 ps of cycle-cycle jitter. The input-to-output propagation delay on both devices is guaranteed to be less than 350 ps and the output-to-output skew is guaranteed to be less than 250 ps.

The MPC962305 and MPC962309 are available in two/three different configurations, as shown on the ordering information page. The MPC962305-1/MPC962309-1 are the base parts. High drive versions of those devices, MPC962305-1H and MPC962309-1H, are available to provide faster rise and fall times of the base device.

Pentium II is a trademark of Intel Corporation.

Block Diagram



Pin Configuration

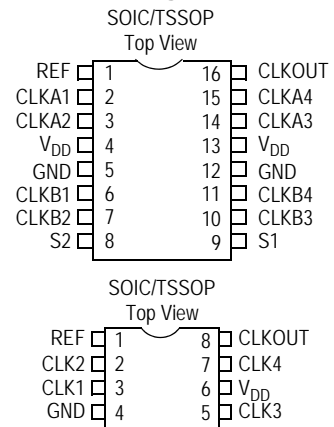


Table 1. Pin Description for MPC962309

| Pin | Signal | Description |
|-----|-----------------------|--|
| 1 | REF ⁽¹⁾ | Input reference frequency, 5 V-tolerant input |
| 2 | CLKA1 ⁽²⁾ | Buffered clock output, Bank A |
| 3 | CLKA2 ⁽²⁾ | Buffered clock output, Bank A |
| 4 | V _{DD} | 3.3 V supply |
| 5 | GND | Ground |
| 6 | CLKB1 ⁽²⁾ | Buffered clock output, Bank B |
| 7 | CLKB2 ⁽²⁾ | Buffered clock output, Bank B |
| 8 | S2 ⁽³⁾ | Select input, bit 2 |
| 9 | S1 ⁽³⁾ | Select input, bit 1 |
| 10 | CLKB3 ⁽²⁾ | Buffered clock output, Bank B |
| 11 | CLKB4 ⁽²⁾ | Buffered clock output, Bank B |
| 12 | GND | Ground |
| 13 | V _{DD} | 3.3 V supply |
| 14 | CLKA3 ⁽²⁾ | Buffered clock output, Bank A |
| 15 | CLKA4 ⁽²⁾ | Buffered clock output, Bank A |
| 16 | CLKOUT ⁽²⁾ | Buffered output, internal feedback on this pin |

1. Weak pull-down.
2. Weak pull-down on all outputs.
3. Weak pull-ups on these inputs.

Table 2. Pin Description for MPC962305

| Pin | Signal | Description |
|-----|-----------------------|--|
| 1 | REF ⁽¹⁾ | Input reference frequency, 5 V-tolerant input |
| 2 | CLK2 ⁽²⁾ | Buffered clock output |
| 3 | CLK1 ⁽²⁾ | Buffered clock output |
| 4 | GND | Ground |
| 5 | CLK3 ⁽²⁾ | Buffered clock output |
| 6 | V _{DD} | 3.3 V supply |
| 7 | CLK4 ⁽²⁾ | Buffered clock output |
| 8 | CLKOUT ⁽²⁾ | Buffered clock output, internal feedback on this pin |

1. Weak pull-down.
2. Weak pull-down on all outputs.

Table 3. Select Input Decoding for MPC962309

| S2 | S1 | CLOCK A1–A4 | CLOCK B1–B4 | CLKOUT ⁽¹⁾ | Output Source | PLL Shutdown |
|----|----|-------------|-------------|-----------------------|---------------|--------------|
| 0 | 0 | Three-State | Three-State | Driven | PLL | N |
| 0 | 1 | Driven | Three-State | Driven | PLL | N |
| 1 | 0 | Driven | Driven | Driven | Reference | Y |
| 1 | 1 | Driven | Driven | Driven | PLL | N |

1. This output is driven and has an internal feedback for the PLL. The load on this output can be adjusted to change the skew between the reference and output.

Table 4. Maximum Ratings

| Characteristics | Value | Unit |
|---|----------------------|------|
| Supply Voltage to Ground Potential | –0.5 to +3.9 | V |
| DC Input Voltage (Except Ref) | –0.5 to $V_{DD}+0.5$ | V |
| DC Input Voltage REF | –0.5 to 5.5 | V |
| Storage Temperature | –65 to +150 | °C |
| Junction Temperature | 150 | °C |
| Static Discharge Voltage (per MIL-STD-883, Method 3015) | >2000 | V |

Table 5. Operating Conditions for MPC962305-X and MPC962309-X Industrial Temperature Devices

| Parameter | Description | Min | Max | Unit |
|-----------|---|-----|-----|------|
| V_{DD} | Supply Voltage | 3.0 | 3.6 | V |
| T_A | Operating Temperature (Ambient Temperature) | –40 | 85 | °C |
| C_L | Load Capacitance, below 100 MHz | | 30 | pF |
| C_L | Load Capacitance, from 100 MHz to 133 MHz | | 10 | pF |
| C_{IN} | Input Capacitance | | 7 | pF |

Table 6. Electrical Characteristics for MPC962305-X and MPC962309-X Industrial Temperature Devices⁽¹⁾

| Parameter | Description | Test Conditions | Min | Max | Unit |
|--------------------|------------------------------------|--|-----|-------|---------------|
| V_{IL} | Input LOW Voltage ⁽²⁾ | | | 0.8 | V |
| V_{IH} | Input HIGH Voltage ⁽²⁾ | | 2.0 | | V |
| I_{IL} | Input LOW Current | $V_{IN} = 0\text{ V}$ | | 50.0 | μA |
| I_{IH} | Input HIGH Current | $V_{IN} = V_{DD}$ | | 100.0 | μA |
| V_{OL} | Output LOW Voltage ⁽³⁾ | $I_{OL} = 8\text{ mA (-1)}$ $I_{OH} = 12\text{ mA (-1H)}$ | | 0.4 | V |
| V_{OH} | Output HIGH Voltage ⁽³⁾ | $I_{OH} = -8\text{ mA (-1)}$ $I_{OL} = -12\text{ mA (-1H)}$ | 2.4 | | V |
| I_{DD} (PD mode) | Power Down Supply Current | REF = 0 MHz | | 25.0 | μA |
| I_{DD} | Supply Current | Unloaded outputs at 66.67 MHz, SEL inputs at V_{DD} | | 35.0 | mA |

1. All parameters are specified with loaded outputs.
2. REF input has a threshold voltage of $V_{PP}/2$.
3. Parameter is guaranteed by design and characterization. Not 100% tested in production.

Table 7. Switching Characteristics for MPC962305-1 and MPC962309-1 Industrial Temperature Devices⁽¹⁾

| Parameter | Name | Test Conditions | Min | Typ | Max | Unit |
|-------------------|---|--|------|------|--------|------|
| t ₁ | Output Frequency | 30-pF load | 10 | | 100 | MHz |
| | | 10-pF load | 10 | | 133.33 | MHz |
| | Duty Cycle ⁽²⁾ = t ₂ ÷ t ₁ | Measured at 1.4 V, F _{OUT} = 66.67 MHz | 40.0 | 50.0 | 60.0 | % |
| t ₃ | Rise Time ⁽²⁾ | Measured between 0.8 V and 2.0 V | | | 2.50 | ns |
| t ₄ | Fall Time ⁽²⁾ | Measured between 0.8 V and 2.0 V | | | 2.50 | ns |
| t ₅ | Output to Output Skew ⁽²⁾ | All outputs equally loaded | | | 250 | ps |
| t _{6A} | Delay, REF Rising Edge to CLKOUT Rising Edge ⁽²⁾ | Measured at V _{DD} /2 | | 0 | ±350 | ps |
| t _{6B} | Delay, REF Rising Edge to CLKOUT Rising Edge ⁽²⁾ | Measured at V _{DD} /2. Measured in PLL Bypass Mode, MPC962309 device only | 1 | 5 | 8.7 | ns |
| t ₇ | Device to Device Skew ⁽²⁾ | Measured at V _{DD} /2 on the CLKOUT pins of devices | | 0 | 700 | ps |
| t _J | Cycle to Cycle Jitter ⁽²⁾ | Measured at 66.67 MHz, loaded outputs | | | 200 | ps |
| t _{LOCK} | PLL Lock Time ⁽²⁾ | Stable power supply, valid clock presented on REF pin | | | 1.0 | ms |

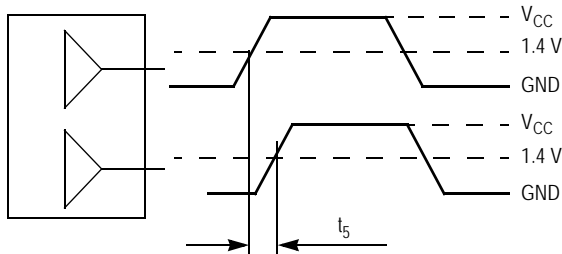
1. All parameters are specified with loaded outputs.
2. Parameter is guaranteed by design and characterization. Not 100% tested in production.

Table 8. Switching Characteristics for MPC962305-1H and MPC962309-1H Industrial Temperature Devices⁽¹⁾

| Parameter | Name | Test Conditions | Min | Typ | Max | Unit |
|-------------------|---|--|------|------|--------|------|
| t ₁ | Output Frequency | 30-pF load | 10 | | 100 | MHz |
| | | 10-pF load | 10 | | 133.33 | MHz |
| | Duty Cycle ⁽²⁾ = t ₂ ÷ t ₁ | Measured at 1.4 V, F _{OUT} = 66.67 MHz | 40.0 | 50.0 | 60.0 | % |
| | Duty Cycle ⁽²⁾ = t ₂ ÷ t ₁ | Measured at 1.4 V, F _{OUT} < 50 MHz | 45.0 | 55.0 | 55.0 | % |
| t ₃ | Rise Time ⁽²⁾ | Measured between 0.8 V and 2.0 V | | | 1.50 | ns |
| t ₄ | Fall Time ⁽²⁾ | Measured between 0.8 V and 2.0 V | | | 1.50 | ns |
| t ₅ | Output to Output Skew ⁽²⁾ | All outputs equally loaded | | | 250 | ps |
| t _{6A} | Delay, REF Rising Edge to CLKOUT Rising Edge ⁽²⁾ | Measured at V _{DD} /2 | | 0 | ±350 | ps |
| t _{6B} | Delay, REF Rising Edge to CLKOUT Rising Edge ⁽²⁾ | Measured at V _{DD} /2. Measured in PLL Bypass Mode, MPC962309 device only | 1 | 5 | 8.7 | ns |
| t ₇ | Device to Device Skew ⁽²⁾ | Measured at V _{DD} /2 on the CLKOUT pins of devices | | 0 | 700 | ps |
| t ₈ | Output Slew Rate ⁽²⁾ | Measured between 0.8 V and 2.0 V using Test Circuit #2 | 1 | | | V/ns |
| t _J | Cycle to Cycle Jitter ⁽²⁾ | Measured at 66.67 MHz, loaded outputs | | | 200 | ps |
| t _{LOCK} | PLL Lock Time ⁽²⁾ | Stable power supply, valid clock presented on REF pin | | | 1.0 | ms |

1. All parameters are specified with loaded outputs.
2. Parameter is guaranteed by design and characterization. Not 100% tested in production.

APPLICATIONS INFORMATION



The pin-to-pin skew is defined as the worst case difference in propagation delay between any similar delay path within a single device

Figure 1. Output-to-Output Skew $t_{SK(O)}$

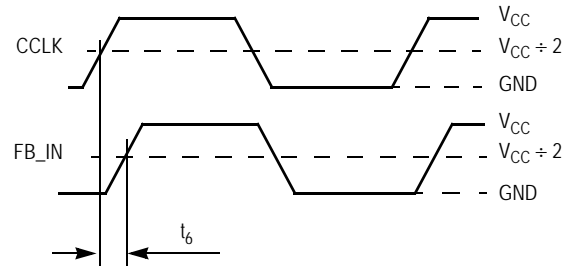
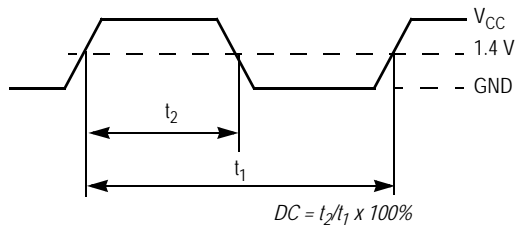


Figure 2. Static Phase Offset Test Reference



The time from the PLL controlled edge to the non-controlled edge, divided by the time between PLL controlled edges, expressed as a percentage

Figure 3. Output Duty Cycle (DC)

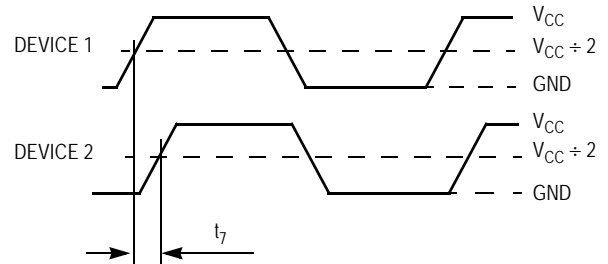
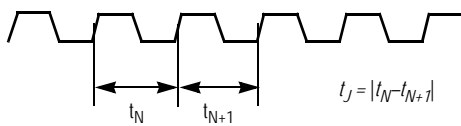


Figure 4. Device-to-Device Skew



The variation in cycle time of a signal between adjacent cycles, over a random sample of adjacent cycle pairs

Figure 5. Cycle-to-Cycle Jitter

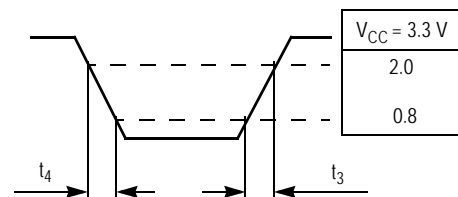
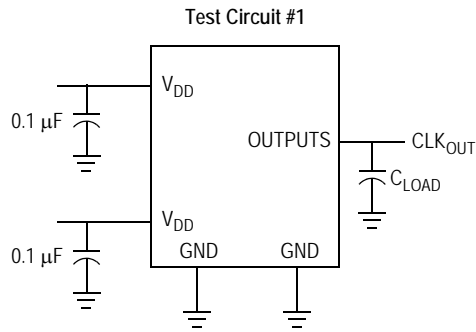
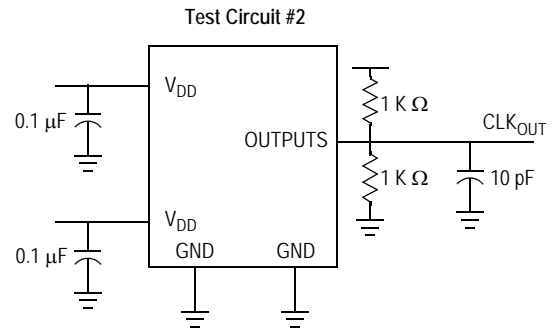


Figure 6. Output Transition Time Test Reference



Test Circuit for all parameters except t_b

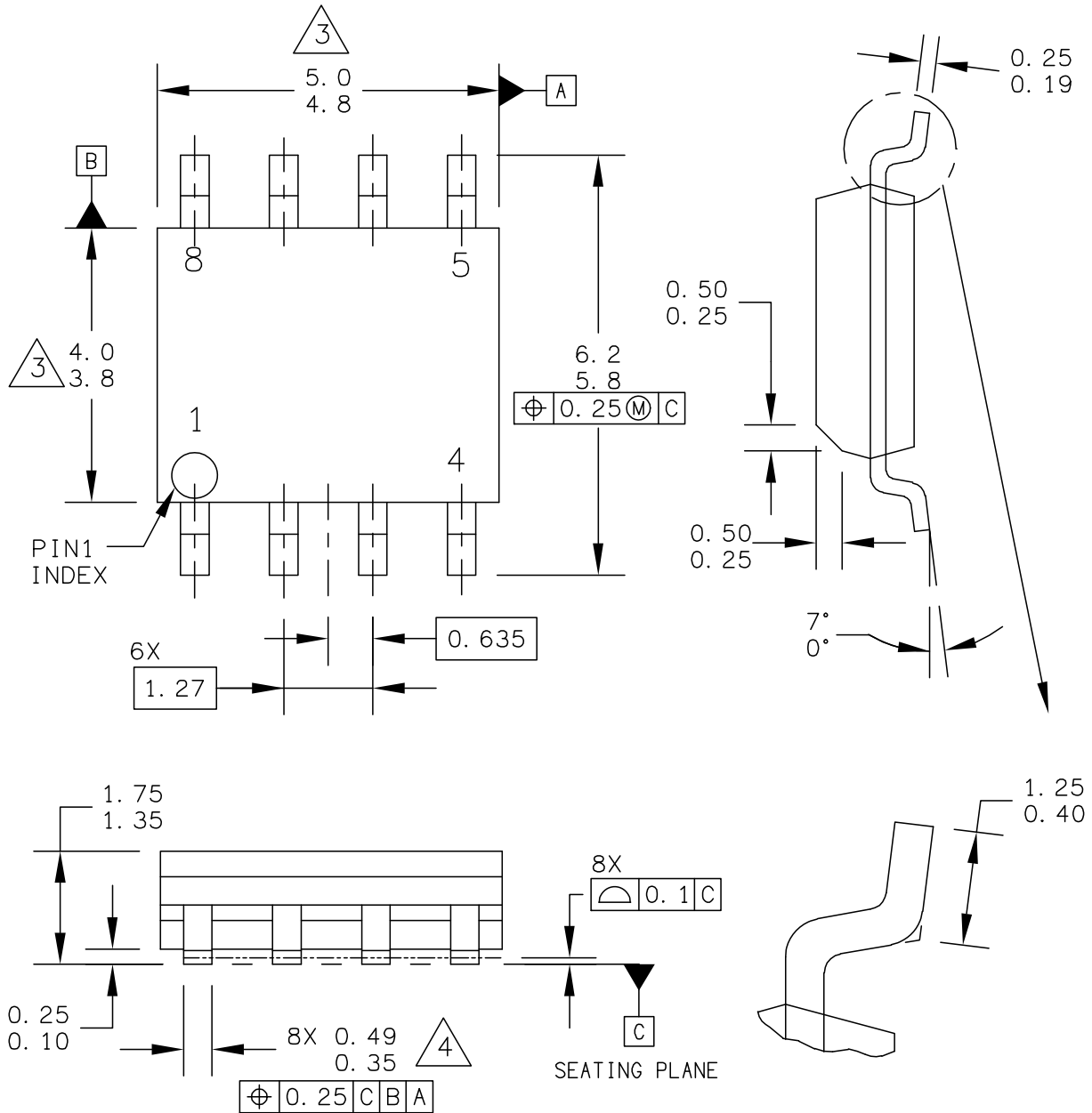


Test Circuit for t_b , Output slew rate on -1H, -5 device

Table 9. Ordering Information

| Ordering Code | Package Type |
|------------------|---|
| MPC962305D-1 | 8-pin 150-mil SOIC |
| MPC962305D-1R2 | 8-pin 150-mil SOIC - Tape and Reel |
| MPC962305EF-1 | 8-pin 150-mil SOIC (Pb-free) |
| MPC962305EF-1R2 | 8-pin 150-mil SOIC (Pb-free) - Tape and Reel |
| MPC962305D-1H | 8-pin 150-mil SOIC |
| MPC962305D-1HR2 | 8-pin 150-mil SOIC - Tape and Reel |
| MPC962305EF-1H | 8-pin 150-mil SOIC (Pb-free) |
| MPC962305EF-1HR2 | 8-pin 150-mil SOIC (Pb-free) - Tape and Reel |
| MPC962305DT-1H | 8-pin 150-mil TSSOP |
| MPC962305DT-1HR2 | 8-pin 150-mil TSSOP - Tape and Reel |
| MPC962305EJ-1H | 8-pin 150-mil TSSOP (Pb-free) |
| MPC962305EJ-1HR2 | 8-pin 150-mil TSSOP (Pb-free) - Tape and Reel |
| MPC962309D-1 | 16-pin 150-mil SOIC |
| MPC962309D-1R2 | 16-pin 150-mil SOIC - Tape and Reel |
| MPC962309EF-1 | 16-pin 150-mil SOIC (Pb-free) |
| MPC962309EF-1R2 | 16-pin 150-mil SOIC (Pb-free) - Tape and Reel |
| MPC962309D-1H | 16-pin 150-mil SOIC |
| MPC962309D-1HR2 | 16-pin 150-mil SOIC - Tape and Reel |
| MPC962309EF-1H | 16-pin 150-mil SOIC (Pb-free) |
| MPC962309EF-1HR2 | 16-pin 150-mil SOIC (Pb-free) - Tape and Reel |
| MPC962309DT-1H | 16-pin 4.4-mm TSSOP |
| MPC962309DT-1HR2 | 16-pin 4.4-mm TSSOP - Tape and Reel |
| MPC962309EJ-1H | 16-pin 4.4-mm TSSOP (Pb-free) |
| MPC962309EJ-1HR2 | 16-pin 4.4-mm TSSOP (Pb-free) - Tape and Reel |

PACKAGE DIMENSIONS



| | | |
|---|---------------------------|----------------------------|
| © FREESCALE SEMICONDUCTOR, INC. ALL RIGHTS RESERVED. | MECHANICAL OUTLINE | PRINT VERSION NOT TO SCALE |
| TITLE: 8LD SOIC NARROW BODY | DOCUMENT NO: 98ASB42564B | REV: U |
| | CASE NUMBER: 751-07 | 07 APR 2005 |
| | STANDARD: JEDEC MS-012AA | |

**CASE 751-07
ISSUE U
8-LEAD SOIC PLASTIC PACKAGE**

PACKAGE DIMENSIONS

NOTES:

1. DIMENSIONS ARE IN MILLIMETERS.
2. DIMENSIONING AND TOLERANCING PER ASME Y14.5M-1994.
3. DIMENSION DOES NOT INCLUDE MOLD PROTRUSION. MAXIMUM MOLD PROTRUSION 0.15 PER SIDE.
4. DIMENSION DOES NOT INCLUDE DAMBAR PROTRUSION. ALLOWABLE DAMBAR PROTRUSION SHALL BE 0.127 TOTAL IN EXCESS OF THE DIMENSION AT MAXIMUM MATERIAL CONDITION.

| | | | |
|---|---------------------------|----------------------------|-------------|
| © FREESCALE SEMICONDUCTOR, INC. ALL RIGHTS RESERVED. | MECHANICAL OUTLINE | PRINT VERSION NOT TO SCALE | |
| TITLE: 8LD SOIC NARROW BODY | | DOCUMENT NO: 98ASB42564B | REV: U |
| | | CASE NUMBER: 751-07 | 07 APR 2005 |
| | | STANDARD: JEDEC MS-012AA | |

PAGE 2 OF 2

**CASE 751-07
ISSUE U
8-LEAD SOIC PLASTIC PACKAGE**

PACKAGE DIMENSIONS

NOTES:

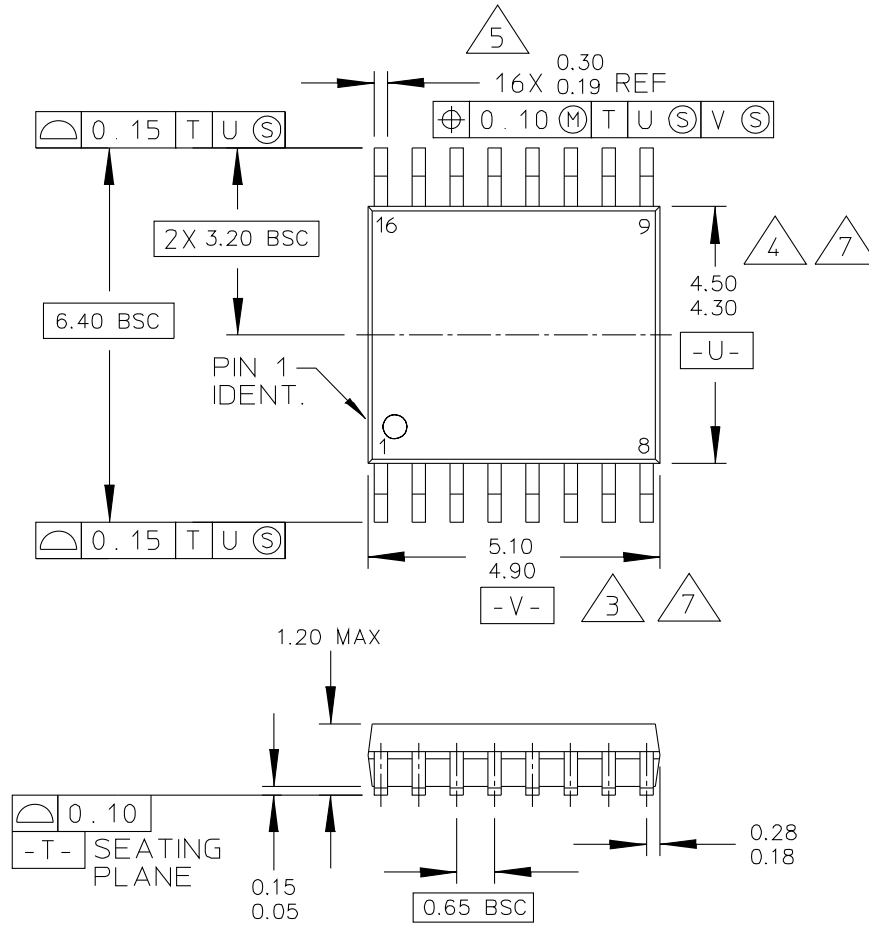
1. DIMENSIONS ARE IN MILLIMETERS.
2. DIMENSIONING AND TOLERANCING PER ASME Y14.5M-1994.
3. DATUMS A AND B TO BE DETERMINED AT THE PLANE WHERE THE BOTTOM OF THE LEADS EXIT THE PLASTIC BODY.
4. THIS DIMENSION DOES NOT INCLUDE MOLD FLASH, PROTRUSION OR GATE BURRS. MOLD FLASH, PROTRUSION OR GATE BURRS SHALL NOT EXCEED 0.15 MM PER SIDE. THIS DIMENSION IS DETERMINED AT THE PLANE WHERE THE BOTTOM OF THE LEADS EXIT THE PLASTIC BODY.
5. THIS DIMENSION DOES NOT INCLUDE INTER-LEAD FLASH OR PROTRUSIONS. INTER-LEAD FLASH AND PROTRUSIONS SHALL NOT EXCEED 0.25 MM PER SIDE. THIS DIMENSION IS DETERMINED AT THE PLANE WHERE THE BOTTOM OF THE LEADS EXIT THE PLASTIC BODY.
6. THIS DIMENSION DOES NOT INCLUDE DAMBAR PROTRUSION. ALLOWABLE DAMBAR PROTRUSION SHALL NOT CAUSE THE LEAD WIDTH TO EXCEED 0.62 mm.

| | | | |
|---|---------------------------|----------------------------|--|
| © FREESCALE SEMICONDUCTOR, INC. ALL RIGHTS RESERVED. | MECHANICAL OUTLINE | PRINT VERSION NOT TO SCALE | |
| TITLE: 16LD SOIC N/B, 1.27 PITCH, CASE OUTLINE | DOCUMENT NO: 98ASB42566B | REV: L | |
| | CASE NUMBER: 751B-05 | 11 APR 2005 | |
| | STANDARD: JEDEC MS-012AC | | |

PAGE 2 OF 2

**CASE 751B-05
ISSUE L
16-LEAD SOIC PLASTIC PACKAGE**

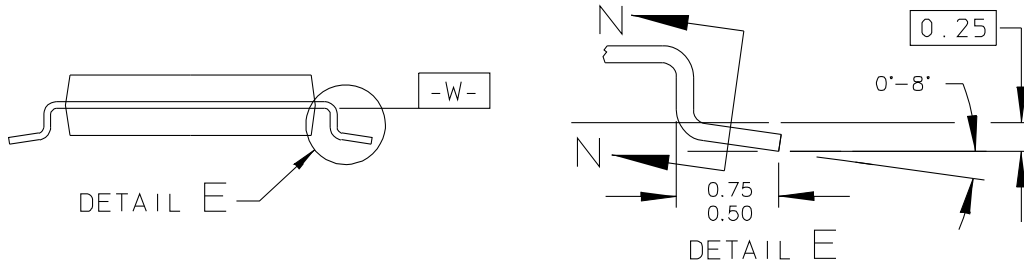
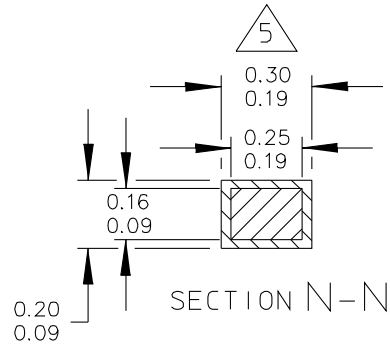
PACKAGE DIMENSIONS



| | | | |
|---|--------------------------|----------------------------|--|
| © FREESCALE SEMICONDUCTOR, INC. ALL RIGHTS RESERVED. | MECHANICAL OUTLINE | PRINT VERSION NOT TO SCALE | |
| TITLE: 16 LD TSSOP, PITCH 0.65MM | DOCUMENT NO: 98ASH70247A | REV: B | |
| | CASE NUMBER: 948F-01 | 19 MAY 2005 | |
| | STANDARD: JEDEC | | |

**CASE 948F-01
ISSUE B
16-LEAD TSSOP PLASTIC PACKAGE**

PACKAGE DIMENSIONS



| | | | |
|---|--------------------------|----------------------------|--|
| © FREESCALE SEMICONDUCTOR, INC. ALL RIGHTS RESERVED. | MECHANICAL OUTLINE | PRINT VERSION NOT TO SCALE | |
| TITLE: 16 LD TSSOP, PITCH 0.65MM | DOCUMENT NO: 98ASH70247A | REV: B | |
| | CASE NUMBER: 948F-01 | 19 MAY 2005 | |
| | STANDARD: JEDEC | | |

**CASE 948F-01
ISSUE B
16-LEAD TSSOP PLASTIC PACKAGE**

PACKAGE DIMENSIONS

NOTES:

1. CONTROLLING DIMENSION: MILLIMETER

2. DIMENSIONS AND TOLERANCES PER ANSI Y14.5M-1982.

3. DIMENSION DOES NOT INCLUDE MOLD FLASH, PROTRUSIONS OR GATE BURRS. MOLD FLASH OR GATE BURRS SHALL NOT EXCEED 0.15 PER SIDE.

4. DIMENSION DOES NOT INCLUDE INTERLEAD FLASH OR PROTRUSION. INTERLEAD FLASH OR PROTRUSION SHALL NOT EXCEED 0.25 PER SIDE.

5. DIMENSION DOES NOT INCLUDE DAMBAR PROTRUSION. ALLOWABLE DAMBAR PROTRUSION SHALL BE 0.08 TOTAL IN EXCESS OF THE DIMENSION AT MAXIMUM MATERIAL CONDITION.

6. TERMINAL NUMBERS ARE SHOWN FOR REFERENCE ONLY.

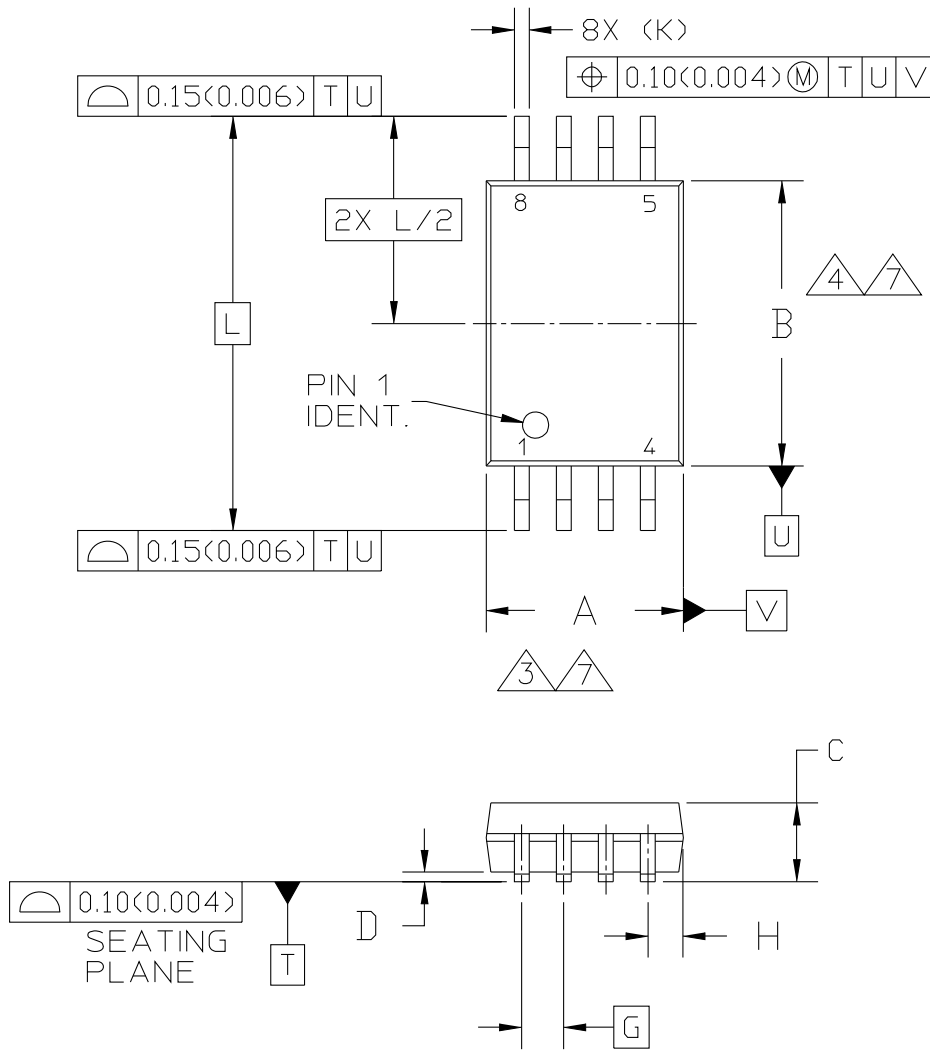
7. DIMENSIONS ARE TO BE DETERMINED AT DATUM PLANE -W-.

| | | | |
|---|--------------------------|----------------------------|--|
| © FREESCALE SEMICONDUCTOR, INC. ALL RIGHTS RESERVED. | MECHANICAL OUTLINE | PRINT VERSION NOT TO SCALE | |
| TITLE: 16 LD TSSOP, PITCH 0.65MM | DOCUMENT NO: 98ASH70247A | REV: B | |
| | CASE NUMBER: 948F-01 | 19 MAY 2005 | |
| | STANDARD: JEDEC | | |

PAGE 3 OF 3

**CASE 948F-01
ISSUE B
16-LEAD TSSOP PLASTIC PACKAGE**

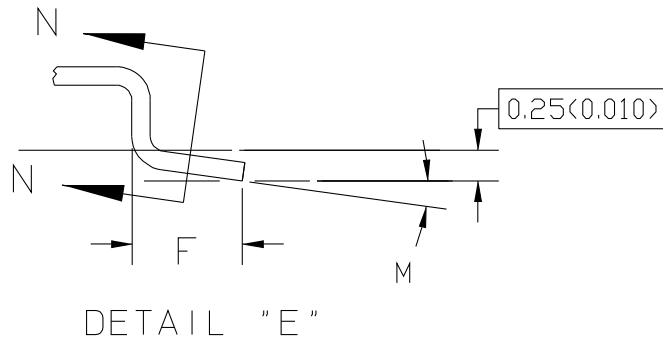
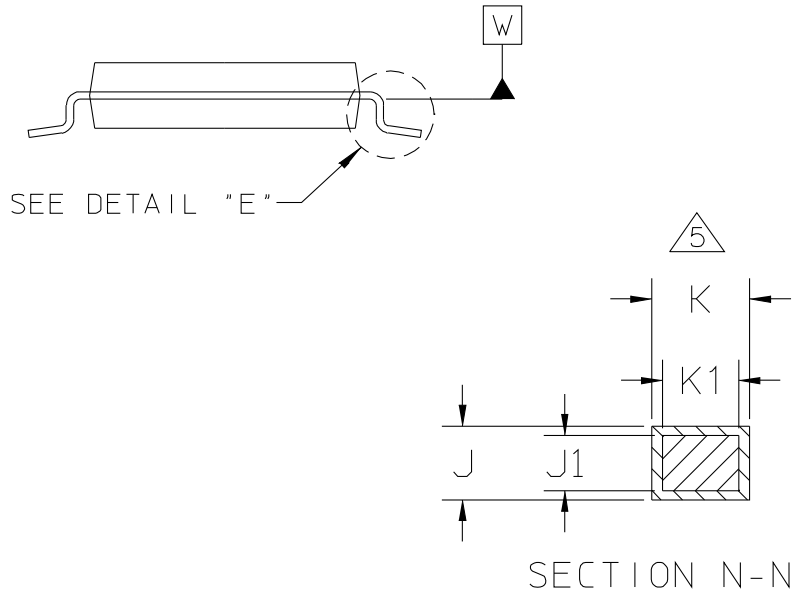
PACKAGE DIMENSIONS



| | | | |
|---|--------------------------|----------------------------|--|
| © FREESCALE SEMICONDUCTOR, INC. ALL RIGHTS RESERVED. | MECHANICAL OUTLINE | PRINT VERSION NOT TO SCALE | |
| TITLE: 8 LD TSSOP, PITCH 0.65MM | DOCUMENT NO: 98ASH70382A | REV: B | |
| | CASE NUMBER: 948J-01 | 19 MAY 2005 | |
| | STANDARD: JEDEC | | |

**CASE 948J-01
ISSUE B
8-LEAD TSSOP PLASTIC PACKAGE**

PACKAGE DIMENSIONS



| | | | |
|---|--------------------------|----------------------------|-------------|
| © FREESCALE SEMICONDUCTOR, INC. ALL RIGHTS RESERVED. | MECHANICAL OUTLINE | PRINT VERSION NOT TO SCALE | |
| TITLE: 8 LD TSSOP, PITCH 0.65MM | DOCUMENT NO: 98ASH70382A | | REV: B |
| | CASE NUMBER: 948J-01 | | 19 MAY 2005 |
| | STANDARD: JEDEC | | |

**CASE 948J-01
ISSUE B
8-LEAD TSSOP PLASTIC PACKAGE**

PACKAGE DIMENSIONS

NOTES:

1. CONTROLLING DIMENSION: MILLIMETER

2. DIMENSIONS AND TOLERANCES PER ASME Y14.5M-1994.

3. DIMENSION DOES NOT INCLUDE MOLD FLASH, PROTRUSIONS OR GATE BURRS. MOLD FLASH OR GATE BURRS SHALL NOT EXCEED 0.15 (.006) PER SIDE.

4. DIMENSION DOES NOT INCLUDE INTERLEAD FLASH OR PROTRUSION. INTERLEAD FLASH OR PROTRUSION SHALL NOT EXCEED 0.25 (.010) PER SIDE.

5. DIMENSION DOES NOT INCLUDE DAMBAR PROTRUSION. ALLOWABLE DAMBAR PROTRUSION SHALL BE 0.08 (.003) TOTAL IN EXCESS OF THE DIMENSION AT MAXIMUM MATERIAL CONDITION.

6. TERMINAL NUMBERS ARE SHOWN FOR REFERENCE ONLY.

7. DIMENSIONS ARE TO BE DETERMINED AT DATUM PLANE -W-.

| DIM | INCH | | MILLIMETER | | DIM | INCH | | MILLIMETER | |
|---|-----------|-------|--------------------|------|--------------------------|----------------------------|-----|-------------|-----|
| | MIN | MAX | MIN | MAX | | MIN | MAX | MIN | MAX |
| A | 0.114 | 0.122 | 2.90 | 3.10 | | | | | |
| B | 0.169 | 0.177 | 4.30 | 4.50 | | | | | |
| C | - | 0.047 | - | 1.20 | | | | | |
| D | 0.002 | 0.006 | 0.05 | 0.15 | | | | | |
| F | 0.020 | 0.030 | 0.50 | 0.75 | | | | | |
| G | 0.026 BSC | | 0.65 BSC | | | | | | |
| H | 0.020 | 0.024 | 0.50 | 0.60 | | | | | |
| J | 0.004 | 0.008 | 0.09 | 0.20 | | | | | |
| J1 | 0.004 | 0.006 | 0.09 | 0.16 | | | | | |
| K | 0.007 | 0.012 | 0.19 | 0.30 | | | | | |
| K1 | 0.007 | 0.010 | 0.19 | 0.25 | | | | | |
| L | 0.252 BSC | | 6.40 BSC | | | | | | |
| M | 0° | 8° | 0° | 8° | | | | | |
| © FREESCALE SEMICONDUCTOR, INC. ALL RIGHTS RESERVED. | | | MECHANICAL OUTLINE | | | PRINT VERSION NOT TO SCALE | | | |
| TITLE: 8 LD TSSOP, PITCH 0.65MM | | | | | DOCUMENT NO: 98ASH70382A | | | REV: B | |
| | | | | | CASE NUMBER: 948J-01 | | | 19 MAY 2005 | |
| | | | | | STANDARD: JEDEC | | | | |

**CASE 948J-01
ISSUE B
8-LEAD TSSOP PLASTIC PACKAGE**

Revision History Sheet

| Rev | Table | Page | Description of Change | Date |
|------------|--------------|-------------|--|-------------|
| 8 | | 1 | NRND – Not Recommend for New Designs | 1/8/13 |
| 8 | | 1 | Removed NRND and bullet referencing the replacement device. | 5/5/15 |
| 8 | | 1 | Product Discontinuation Notice - Last time buy expires September 7, 2016. PDN N-16-02 | 3/15/16 |

IMPORTANT NOTICE AND DISCLAIMER

RENESAS ELECTRONICS CORPORATION AND ITS SUBSIDIARIES (“RENESAS”) PROVIDES TECHNICAL SPECIFICATIONS AND RELIABILITY DATA (INCLUDING DATASHEETS), DESIGN RESOURCES (INCLUDING REFERENCE DESIGNS), APPLICATION OR OTHER DESIGN ADVICE, WEB TOOLS, SAFETY INFORMATION, AND OTHER RESOURCES “AS IS” AND WITH ALL FAULTS, AND DISCLAIMS ALL WARRANTIES, EXPRESS OR IMPLIED, INCLUDING, WITHOUT LIMITATION, ANY IMPLIED WARRANTIES OF MERCHANTABILITY, FITNESS FOR A PARTICULAR PURPOSE, OR NON-INFRINGEMENT OF THIRD-PARTY INTELLECTUAL PROPERTY RIGHTS.

These resources are intended for developers who are designing with Renesas products. You are solely responsible for (1) selecting the appropriate products for your application, (2) designing, validating, and testing your application, and (3) ensuring your application meets applicable standards, and any other safety, security, or other requirements. These resources are subject to change without notice. Renesas grants you permission to use these resources only to develop an application that uses Renesas products. Other reproduction or use of these resources is strictly prohibited. No license is granted to any other Renesas intellectual property or to any third-party intellectual property. Renesas disclaims responsibility for, and you will fully indemnify Renesas and its representatives against, any claims, damages, costs, losses, or liabilities arising from your use of these resources. Renesas' products are provided only subject to Renesas' Terms and Conditions of Sale or other applicable terms agreed to in writing. No use of any Renesas resources expands or otherwise alters any applicable warranties or warranty disclaimers for these products.

(Disclaimer Rev.1.01 Jan 2024)

Corporate Headquarters

TOYOSU FORESIA, 3-2-24 Toyosu,
Koto-ku, Tokyo 135-0061, Japan
www.renesas.com

Trademarks

Renesas and the Renesas logo are trademarks of Renesas Electronics Corporation. All trademarks and registered trademarks are the property of their respective owners.

Contact Information

For further information on a product, technology, the most up-to-date version of a document, or your nearest sales office, please visit www.renesas.com/contact-us/.