

SLG59H1127V

A 12 V, 15 mΩ, 4 A Load Switch with V_{IN} Lockout Select and Power Good Output

General Description

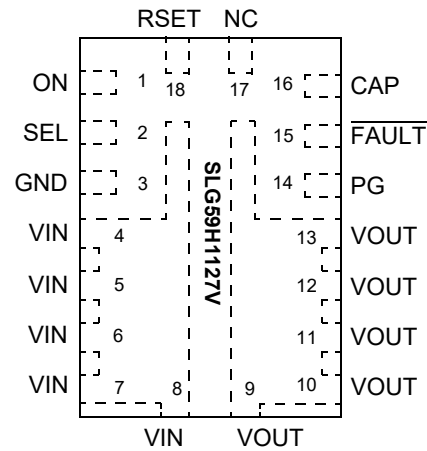
The SLG59H1127V is a high-performance, self-powered 15 mΩ nFET load switch designed for all 4.5 V to 12 V power rails up to 4 A. Using a proprietary MOSFET design, the SLG59H1127V achieves a stable 15 mΩ $R_{DS(ON)}$ across a wide input voltage range. In combining novel FET design and copper pillar interconnects, the SLG59H1127V package also exhibits a low thermal resistance for high-current operation.

Designed to operate over a -40 °C to 85 °C range, the SLG59H1127V is available in a low thermal resistance, RoHS-compliant, 1.6 x 3.0 mm STQFN package.

Features

- Wide Operating Input Voltage: 4.5 V to 13.2 V
- Maximum Continuous Current: 4 A
- Automatic nFET SOA Protection
 - 5 W SOA Protection Threshold
- High-performance MOSFET Switch
 - Low $R_{DS(ON)}$: 15 mΩ at $V_{IN} = 12 V$
 - Low $\Delta R_{DS(ON)}/\Delta V_{IN}$: < 0.05 mΩ/V
 - Low $\Delta R_{DS(ON)}/\Delta T$: < 0.06 mΩ/°C
- Capacitor-adjustable Inrush Current Control
- Two stage Current Limit Protection:
 - Resistor-adjustable Active Current Limit
 - Internal Short-circuit Current limit
- Open-drain Power Good (PG) Signaling
- Open-drain FAULT Signaling
- Fast 4 kΩ Output Discharge
- Pb-Free / Halogen-Free / RoHS Compliant Packaging

Pin Configuration

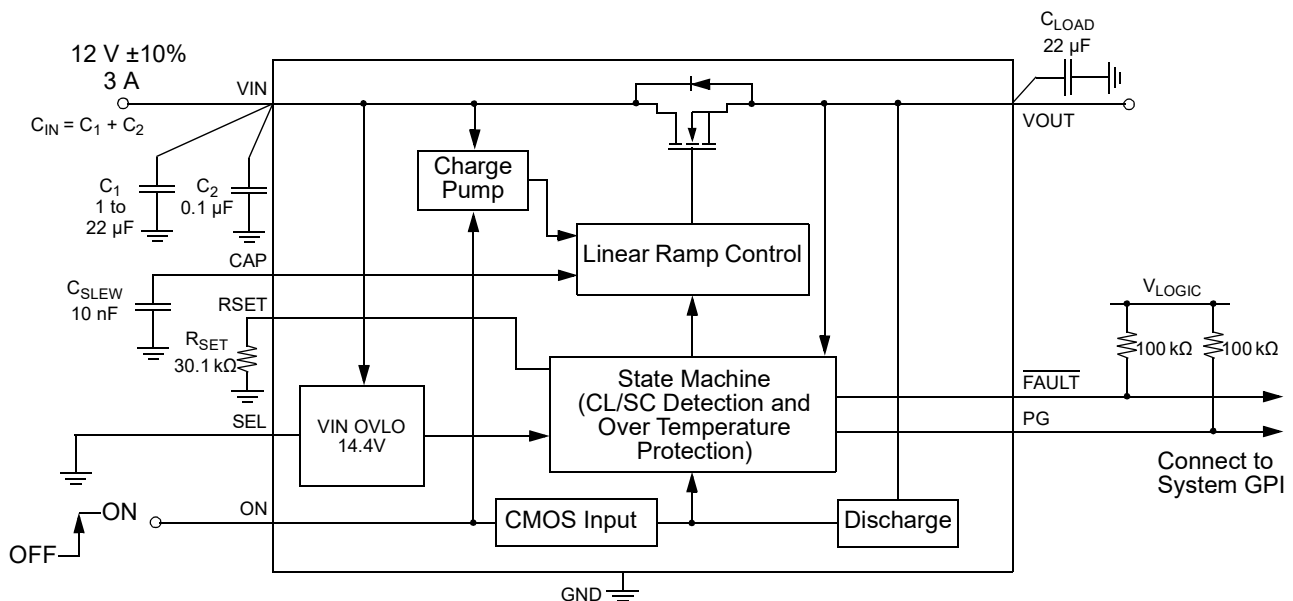


18-pin STQFN
1.6 x 3.0 mm, 0.40mm pitch
(Top View)

Applications

- Enterprise Computing & Telecom Equipment
 - 5 V and 12 V Point-of-Load Power Distribution
- PCI/PCIe Adapter Cards
- General-purpose High-voltage, Power-Rail Switching
- Multifunction Printers
- Fan Motor Control

Block Diagram



SLG59H1127V

A 12 V, 15 mΩ, 4 A Load Switch
with V_{IN} Lockout Select and Power Good Output

Pin Description

Pin #	Pin Name	Type	Pin Description
1	ON	Input	A low-to-high transition on this pin initiates the operation of the SLG59H1127V's state machine. ON is an asserted HIGH, level-sensitive CMOS input with $ON_{V_{IL}} < 0.3$ V and $ON_{V_{IH}} > 0.9$ V. As the ON pin input circuit does not have an internal pull-down resistor, connect this pin to a general-purpose output (GPO) of a microcontroller, an application processor, or a system controller – do not allow this pin to be open-circuited.
2	SEL	Input	Connect this pin to GND.
3	GND	GND	Pin 3 is the main ground connection for the SLG59H1127V's internal charge pump, its gate driver and current-limit circuits as well as its internal state machine. Therefore, use a short, stout connection from Pin 3 to the system's analog or power plane.
4-8	VIN	MOSFET	VIN supplies the power for the operation of the SLG59H1127V, its internal control circuitry, and the drain terminal of the nFET load switch. With 5 pins fused together at VIN, connect a 22 μF (or larger) low-ESR capacitor from this pin to ground. Capacitors used at VIN should be rated at 20 V or higher.
9-13	VOUT	MOSFET	Source terminal of n-channel MOSFET (5 pins fused for VOUT). Connect a 22 μF (or larger) low-ESR capacitor from this pin to ground. Capacitors used at VOUT should be rated at 20 V or higher.
14	PG	Output	An open-drain output, PG is asserted within TPG_{HIGH} when V_{OUT} is higher than the SLG59H1127V's $PG_{TRIGGER}$ threshold. PG output becomes deasserted within TPG_{LOW} when V_{OUT} is less than the PG_{HYS} threshold. PG is not defined for $V_{IN} < 4$ V.
15	\overline{FAULT}	Output	An open-drain output, \overline{FAULT} is asserted within $T\overline{FAULT}_{LOW}$ when a V_{IN} overvoltage, a current-limit, or an over-temperature condition is detected. \overline{FAULT} is deasserted within $T\overline{FAULT}_{HIGH}$ when the fault condition is removed. Connect an 100 kΩ external resistor from the \overline{FAULT} pin to local system logic supply.
16	CAP	Output	A low-ESR, stable dielectric, ceramic surface-mount capacitor connected from CAP pin to GND sets the V_{OUT} slew rate and overall turn-on time of the SLG59H1127V. For best performance, the range for C_{SLEW} values are 10 nF $\leq C_{SLEW} \leq 20$ nF – please see typical characteristics for additional information. Capacitors used at the CAP pin should be rated at 10 V or higher. Please consult Applications Section on how to select C_{SLEW} based on V_{OUT} slew rate and loading conditions.
17	NC	NC	No Connect
18	RSET	Input	A 1%-tolerance, metal-film resistor between 18 kΩ and 91 kΩ sets the SLG59H1127V's active current limit. A 91 kΩ resistor sets the SLG59H1127V's active current limit to 1 A and a 18 kΩ resistor sets the active current limit to 5 A.

Ordering Information

Part Number	Type	Production Flow
SLG59H1127V	STQFN 18L FC	Industrial, -40 °C to 85 °C
SLG59H1127VTR	STQFN 18L FC (Tape and Reel)	Industrial, -40 °C to 85 °C

SLG59H1127V

A 12 V, 15 mΩ, 4 A Load Switch
with V_{IN} Lockout Select and Power Good Output

Absolute Maximum Ratings

Parameter	Description	Conditions	Min.	Typ.	Max.	Unit
V_{IN} to GND	Load Switch Input Voltage to GND	Continuous	-0.3	--	16	V
		Maximum pulsed V_{IN} , pulse width < 0.1 s	--	--	18	V
V_{OUT} to GND	Load Switch Output Voltage to GND		-0.3	--	V_{IN}	V
ON, SEL, CAP, RSET, PG, and FAULT to GND	ON, SEL, CAP, RSET, PG, and FAULT Pin Voltages to GND		-0.3	--	7	V
T_S	Storage Temperature		-65	--	150	°C
ESD _{HBM}	ESD Protection	Human Body Model	2000	--	--	V
ESD _{CDM}	ESD Protection	Charged Device Model	500	--	--	V
MSL	Moisture Sensitivity Level		1			
θ_{JA}	Thermal Resistance; 1.6 x 3.0 mm 18L STQFN	Determined using 1 in ² , 1 oz. copper pads under each VIN and VOUT terminal and FR4 pcb material.	--	40	--	°C/W
		Determined using 0.25 in ² , 1 oz. copper pads under each VIN and VOUT terminal and FR4 pcb material.	--	77	--	°C/W
		Determined using 0.008 in ² , 1 oz. copper pads under each VIN and VOUT terminal and FR4 pcb material.	--	125	--	°C/W
MOSFET $I_{DS_{CONT}}$	Continuous Current from VIN to VOUT	$T_J < 150$ °C	--	--	4	A
MOSFET $I_{DS_{PEAK}}$	Peak Current from VIN to VOUT	Maximum pulsed switch current, pulse width < 1 ms	--	--	6	A

Note: Stresses greater than those listed under "Absolute Maximum Ratings" may cause permanent damage to the device. This is a stress rating only and functional operation of the device at these or any other conditions above those indicated in the operational sections of this specification is not implied. Exposure to absolute maximum rating conditions for extended periods may affect reliability.

Electrical Characteristics

4.5 V ≤ V_{IN} ≤ 13.2 V; C_{IN} = 22 μF, T_A = -40 °C to 85 °C, unless otherwise noted. Typical values are at T_A = 25 °C

Parameter	Description	Conditions	Min.	Typ.	Max.	Unit
V_{IN}	Operating Input Voltage		4.5	--	13.2	V
$V_{IN(OVLO)}$	V_{IN} Overvoltage Lockout Threshold	$V_{IN} \uparrow$; SEL = 0	13.5	14.4	15.2	V
$V_{IN(OVLOHYST)}$	V_{IN} Overvoltage Lockout Hysteresis		--	2	--	%
$V_{IN(UVLO)}$	V_{IN} Undervoltage Lockout Threshold	$V_{IN} \downarrow$	2.4	--	3.8	V
I_Q	Quiescent Supply Current	ON = HIGH; $I_{DS} = 0$ A	--	0.5	0.6	mA
I_{SHDN}	OFF Mode Supply Current	ON = LOW; $I_{DS} = 0$ A	--	1	3	μA
$R_{DS_{ON}}$	ON Resistance	$T_A = 25$ °C; $I_{DS} = 0.1$ A	--	15	18	mΩ
		$T_A = 85$ °C; $I_{DS} = 0.1$ A	--	22	24	mΩ
MOSFET I_{DS}	Current from VIN to VOUT	Continuous	--	--	4	A

SLG59H1127V

A 12 V, 15 mΩ, 4 A Load Switch with V_{IN} Lockout Select and Power Good Output

Electrical Characteristics (continued)

$4.5\text{ V} \leq V_{IN} \leq 13.2\text{ V}$; $C_{IN} = 22\text{ }\mu\text{F}$, $T_A = -40\text{ }^\circ\text{C}$ to $85\text{ }^\circ\text{C}$, unless otherwise noted. Typical values are at $T_A = 25\text{ }^\circ\text{C}$

Parameter	Description	Conditions	Min.	Typ.	Max.	Unit
I_{LIMIT}	Active Current Limit, I_{ACL}	$V_{OUT} > 0.5\text{ V}$; $R_{SET} = 30.1\text{ k}\Omega$	2.8	3.2	3.6	A
	Short-circuit Current Limit, I_{SCL}	$V_{OUT} < 0.5\text{ V}$	--	0.5	--	A
T_{ACL}	Active Current Limit Response Time		--	120	--	μs
$R_{DISCHRG}$	Output Discharge Resistance		3.5	4.4	5.3	k Ω
C_{LOAD}	Output Load Capacitance	C_{LOAD} connected from V_{OUT} to GND	--	22	--	μF
T_{ON_Delay}	ON Delay Time	50% ON to 10% V_{OUT} \uparrow ; $V_{IN} = 4.5\text{ V}$; $C_{SLEW} = 10\text{ nF}$; $R_{LOAD} = 100\text{ }\Omega$, $C_{LOAD} = 10\text{ }\mu\text{F}$	--	0.4	0.5	ms
		50% ON to 10% V_{OUT} \uparrow ; $V_{IN} = 12\text{ V}$; $C_{SLEW} = 10\text{ nF}$; $R_{LOAD} = 100\text{ }\Omega$, $C_{LOAD} = 10\text{ }\mu\text{F}$	--	0.7	0.9	ms
T_{Total_ON}	Total Turn ON Time	50% ON to 90% V_{OUT} \uparrow	Set by External C_{SLEW}^1			ms
		50% ON to 90% V_{OUT} \uparrow ; $V_{IN} = 4.5\text{ V}$; $C_{SLEW} = 10\text{ nF}$; $R_{LOAD} = 100\text{ }\Omega$, $C_{LOAD} = 10\text{ }\mu\text{F}$	--	1.6	2.1	ms
		50% ON to 90% V_{OUT} \uparrow ; $V_{IN} = 12\text{ V}$; $C_{SLEW} = 10\text{ nF}$; $R_{LOAD} = 100\text{ }\Omega$, $C_{LOAD} = 10\text{ }\mu\text{F}$	--	4	6	ms
$V_{OUT(SR)}$	V_{OUT} Slew rate	10% V_{OUT} to 90% V_{OUT} \uparrow	Set by External C_{SLEW}^1			V/ms
		10% V_{OUT} to 90% V_{OUT} \uparrow ; $V_{IN} = 4.5\text{ V}$ to 12 V ; $C_{SLEW} = 10\text{ nF}$; $R_{LOAD} = 100\text{ }\Omega$, $C_{LOAD} = 10\text{ }\mu\text{F}$	2.7	3.2	3.9	V/ms
T_{OFF_Delay}	OFF Delay Time	50% ON to V_{OUT} Fall Start \downarrow ; $V_{IN} = 4.5\text{ V}$ to 12 V ; $R_{LOAD} = 100\text{ }\Omega$, No C_{LOAD}	--	15	--	μs
T_{FALL}	V_{OUT} Fall Time	90% V_{OUT} \downarrow to 10% V_{OUT} \downarrow ; $V_{IN} = 4.5\text{ V}$ to 12 V ; $R_{LOAD} = 100\text{ }\Omega$, No C_{LOAD}	10.4	12.7	25	μs
T_{FAULT_LOW}	\overline{FAULT} Assertion Time	Abnormal Step Load Current event to Fault \downarrow ; $I_{ACL} = 1\text{ A}$; $V_{IN} = 12\text{ V}$; $R_{SET} = 91\text{ k}\Omega$; switch in $10\text{ }\Omega$ load;	--	80	--	μs
T_{FAULT_HIGH}	\overline{FAULT} De-assertion Time	Delay to $FAULT$ \uparrow after fault condition is removed; $I_{ACL} = 1\text{ A}$; $V_{IN} = 12\text{ V}$; $R_{SET} = 91\text{ k}\Omega$; switch out $10\text{ }\Omega$ load	--	180	--	μs
\overline{FAULT}_{VOL}	\overline{FAULT} Output Low Voltage	$I_{FAULT} = 1\text{ mA}$	--	0.2	--	V
$V_{PG(OL)}$	PG Pin Output Low Voltage	$V_{LOGIC} = 5\text{ V}$, $I_{PG(OL)} = -0.1\text{ mA}$	--	--	0.4	V
$V_{PG(OH)}$	PG Pin Output High Voltage	$V_{LOGIC} = 5\text{ V}$, $I_{PG(OH)} = 0.1\text{ mA}$	$V_{LOGIC} - 0.4$	--	V_{LOGIC}	V
$PG_{TRIGGER}$	Power Good Threshold Voltage Level	V_{OUT} % of V_{IN}	86	90	94	%

SLG59H1127V

A 12 V, 15 mΩ, 4 A Load Switch with V_{IN} Lockout Select and Power Good Output

Electrical Characteristics (continued)

$4.5\text{ V} \leq V_{IN} \leq 13.2\text{ V}$; $C_{IN} = 22\text{ }\mu\text{F}$, $T_A = -40\text{ }^\circ\text{C}$ to $85\text{ }^\circ\text{C}$, unless otherwise noted. Typical values are at $T_A = 25\text{ }^\circ\text{C}$

Parameter	Description	Conditions	Min.	Typ.	Max.	Unit
PG_{HYS}	Power Good Hysteresis ↓	$V_{OUT} \downarrow$ % of V_{IN}	81	85	89	%
TPG_{HIGH}	PG Assertion Time	Delay to $PG \uparrow$ after $PG_{TRIGGER}$ threshold is crossed.	1	1.25	1.5	ms
TPG_{LOW}	PG De-assertion Time	Delay to $PG \downarrow$ after $PG_{TRIGGER}$ threshold is crossed.	--	7	--	μs
ON_{VIH}	ON Pin Input High Voltage		0.9	--	5	V
ON_{VIL}	ON Pin Input Low Voltage		-0.3	0	0.3	V
$I_{ON(Leakage)}$	ON Pin Leakage Current	$1\text{ V} \leq ON \leq 5\text{ V}$ or $ON = GND$	--	--	1	μA
$THERM_{ON}$	Thermal Protection Shutdown Threshold		--	125	--	$^\circ\text{C}$
$THERM_{OFF}$	Thermal Protection Restart Threshold		--	100	--	$^\circ\text{C}$

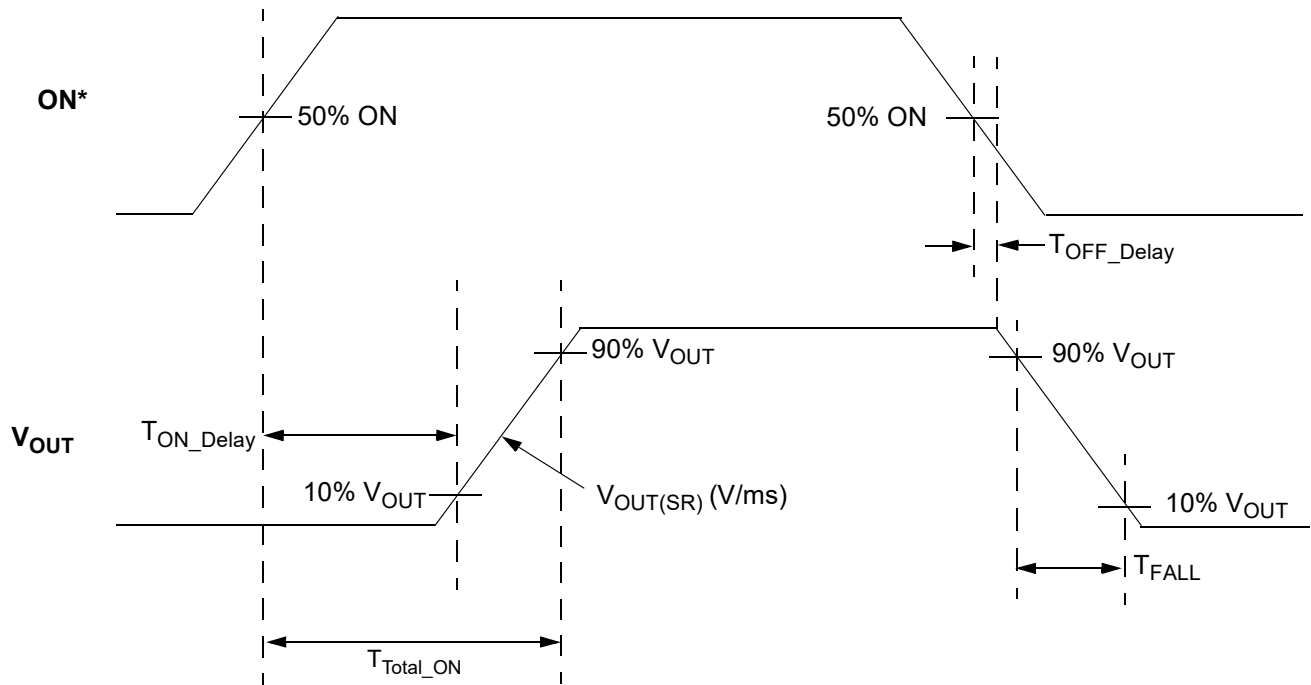
Notes:

1. Refer to typical Timing Parameter vs. C_{SLEW} performance charts for additional information when available.

SLG59H1127V

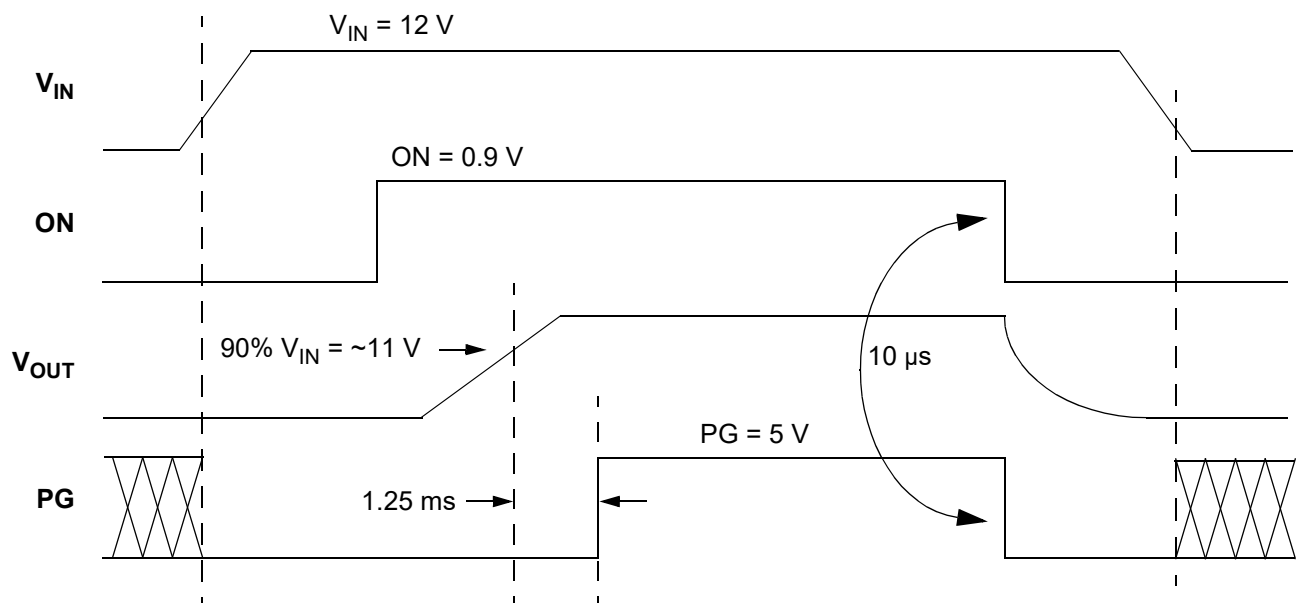
A 12 V, 15 mΩ, 4 A Load Switch
with V_{IN} Lockout Select and Power Good Output

T_{Total_ON} , T_{ON_Delay} and Slew Rate Measurement Timing Details



* Rise and Fall times of the ON signal are 100 ns

PG Timing Details

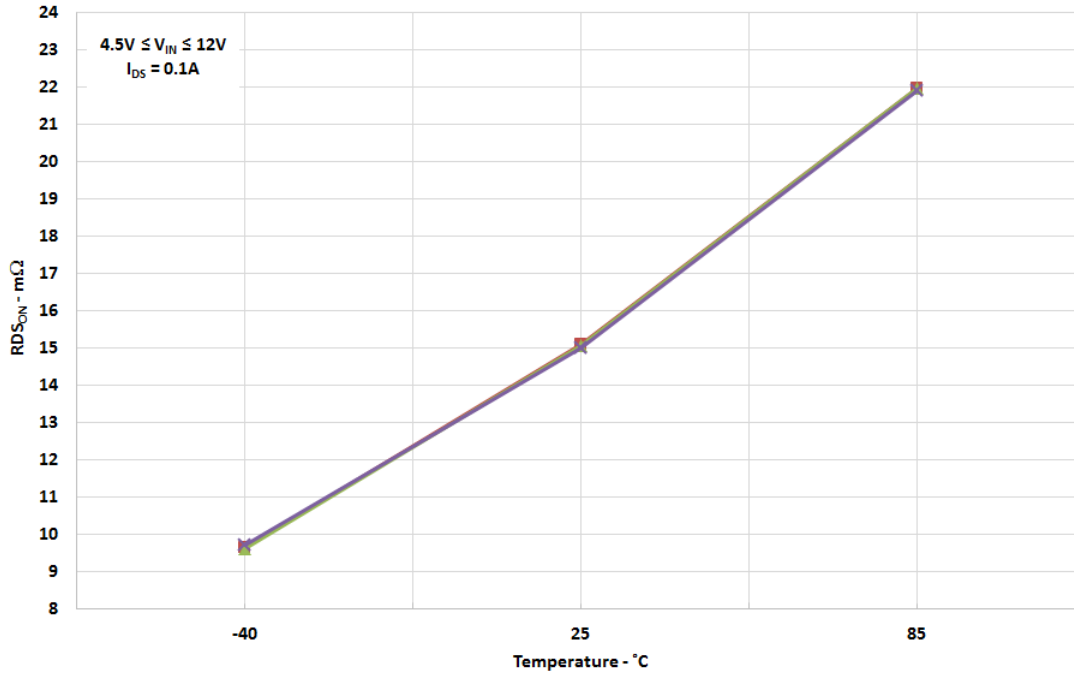


SLG59H1127V

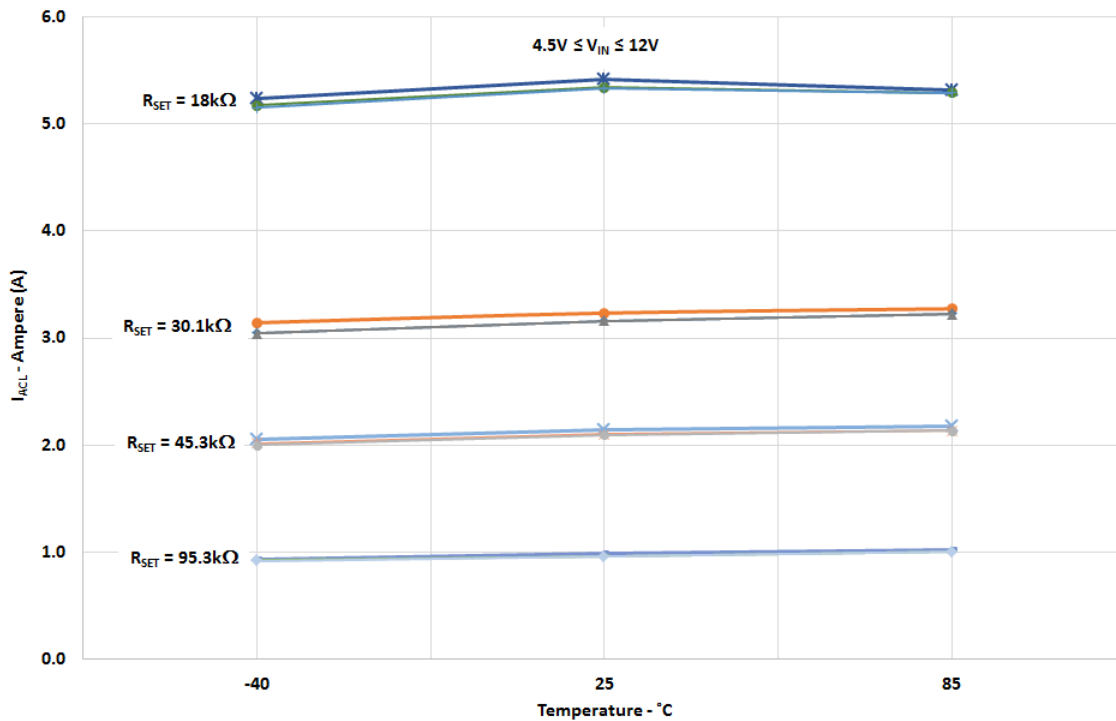
A 12 V, 15 mΩ, 4 A Load Switch
with V_{IN} Lockout Select and Power Good Output

Typical Performance Characteristics

$R_{DS(ON)}$ vs. Temperature and V_{IN}



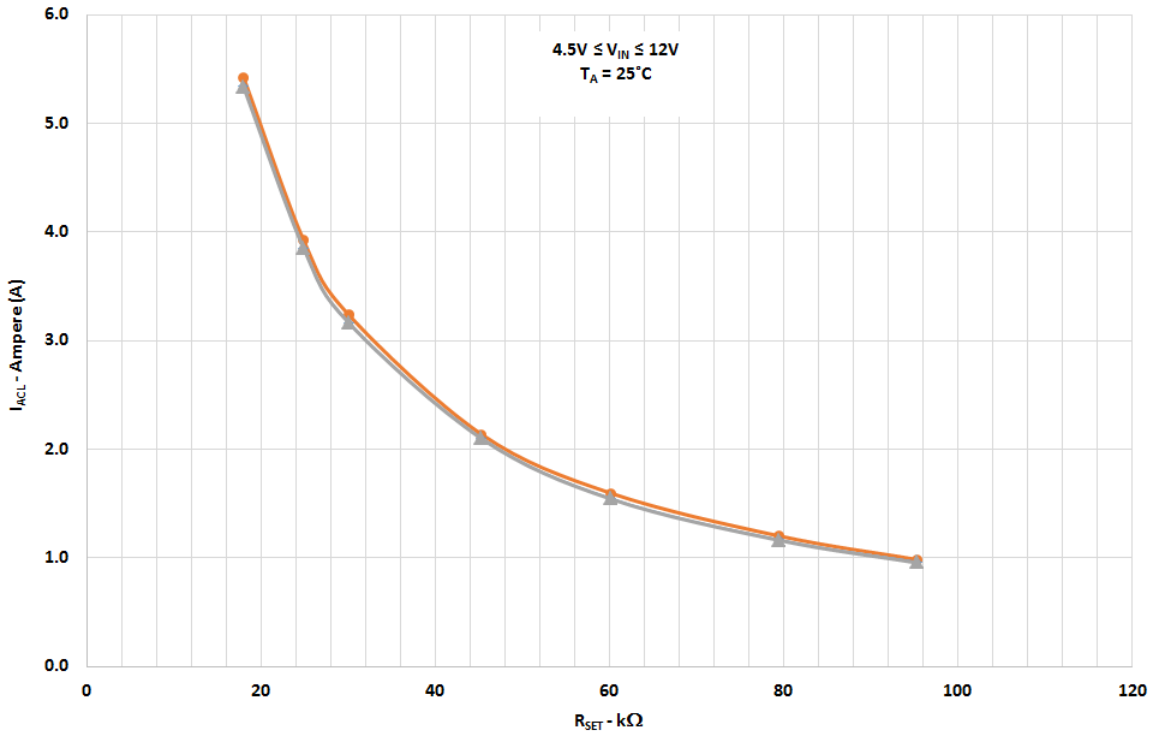
I_{ACL} vs. Temperature, R_{SET} , and V_{IN}



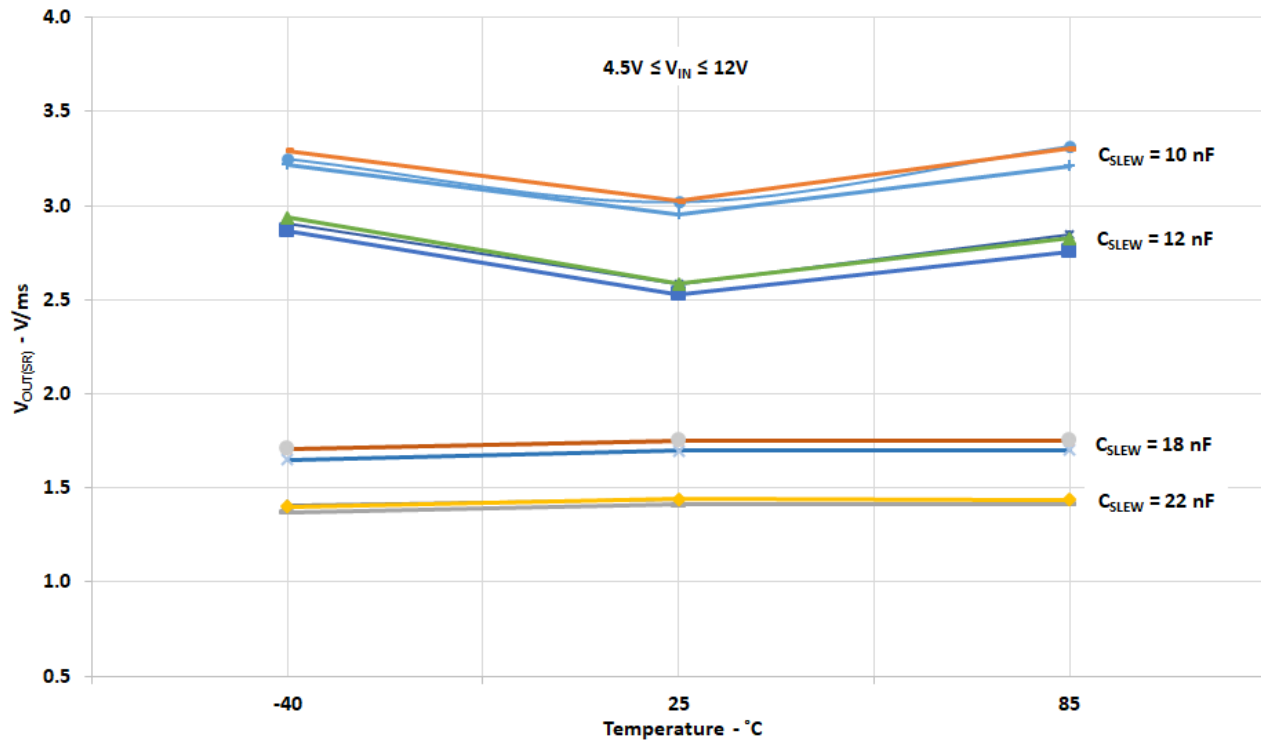
SLG59H1127V

A 12 V, 15 mΩ, 4 A Load Switch
with V_{IN} Lockout Select and Power Good Output

I_{ACL} vs. R_{SET} , and V_{IN}



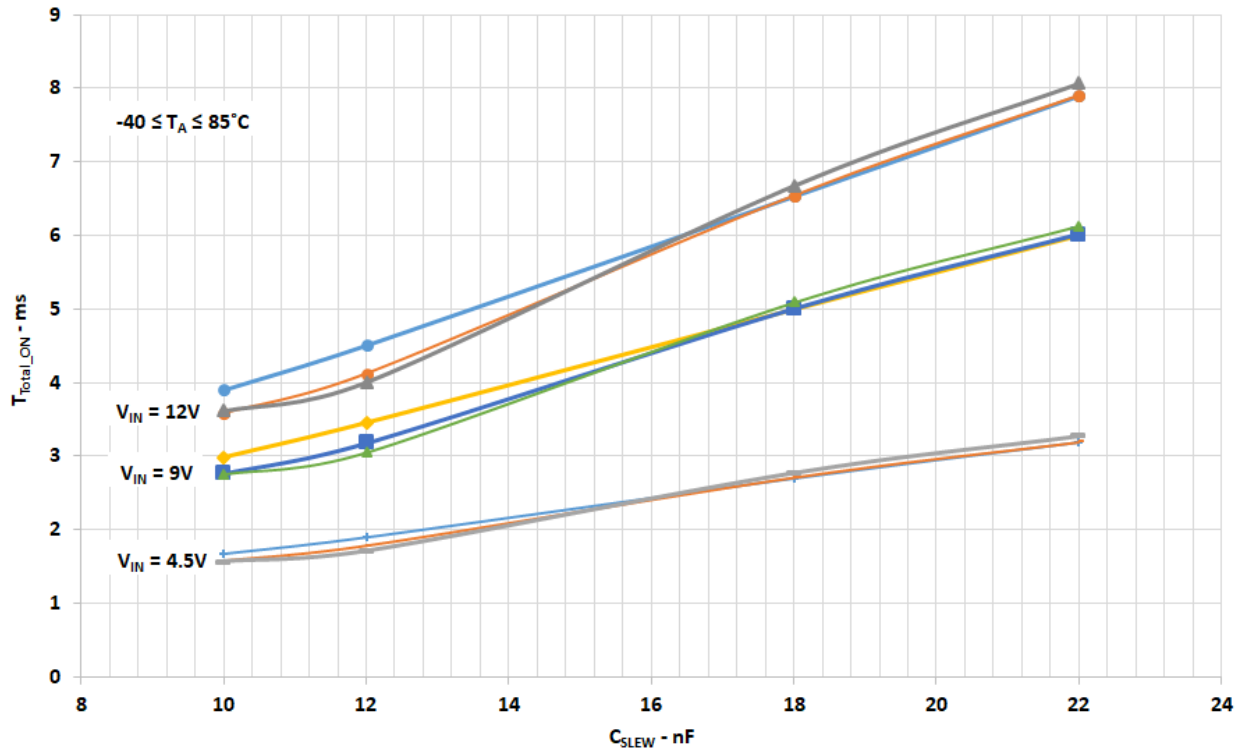
V_{OUT} Slew Rate vs. Temperature, V_{IN} , and C_{SLEW}



SLG59H1127V

A 12 V, 15 mΩ, 4 A Load Switch
with V_{IN} Lockout Select and Power Good Output

T_{Total_ON} vs. C_{SLEW} , V_{IN} , and Temperature

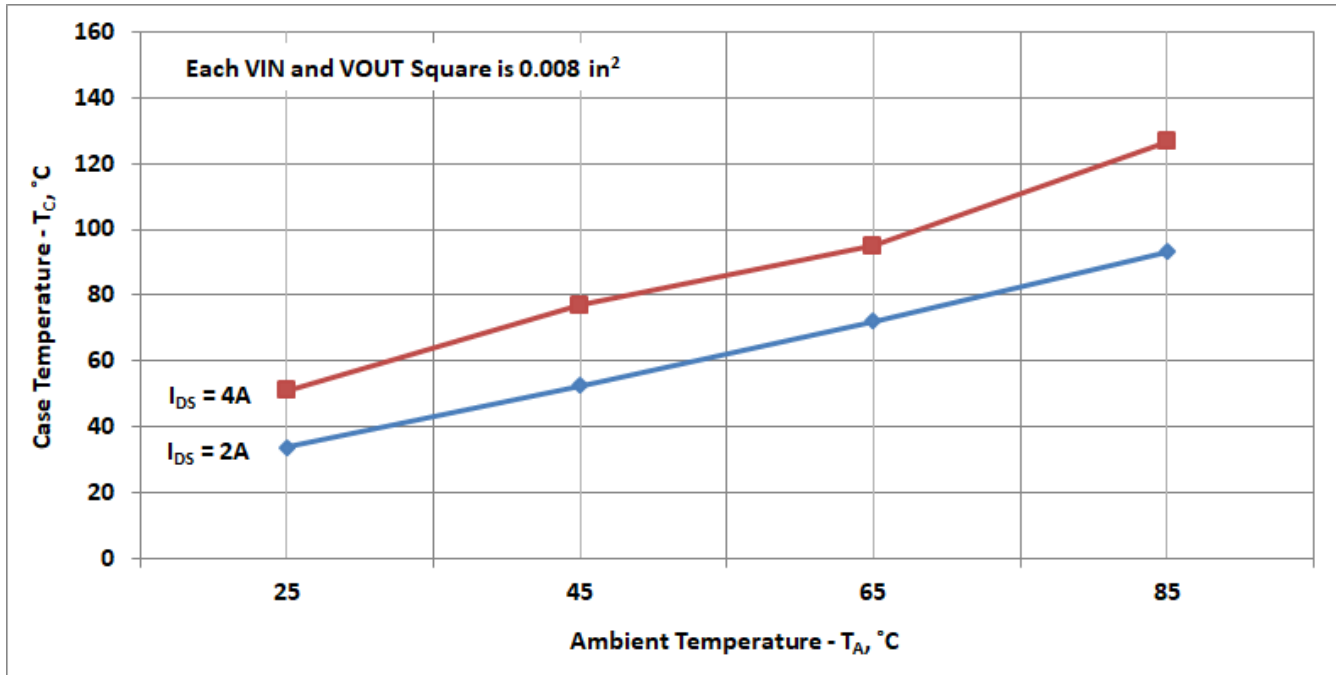


SLG59H1127V

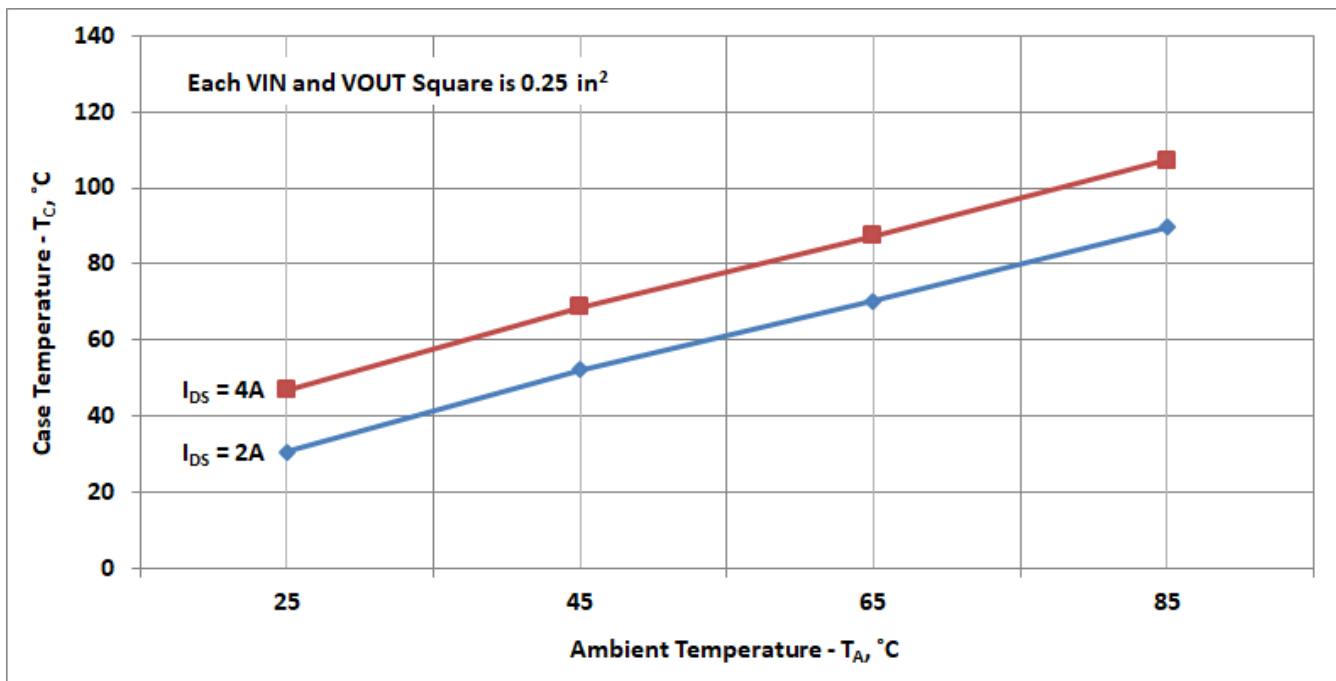
A 12 V, 15 mΩ, 4 A Load Switch
with V_{IN} Lockout Select and Power Good Output

Case Measurement

Case Temperature vs. Ambient Temperature (each V_{IN} and V_{OUT} square is 0.008 in², no airflow)



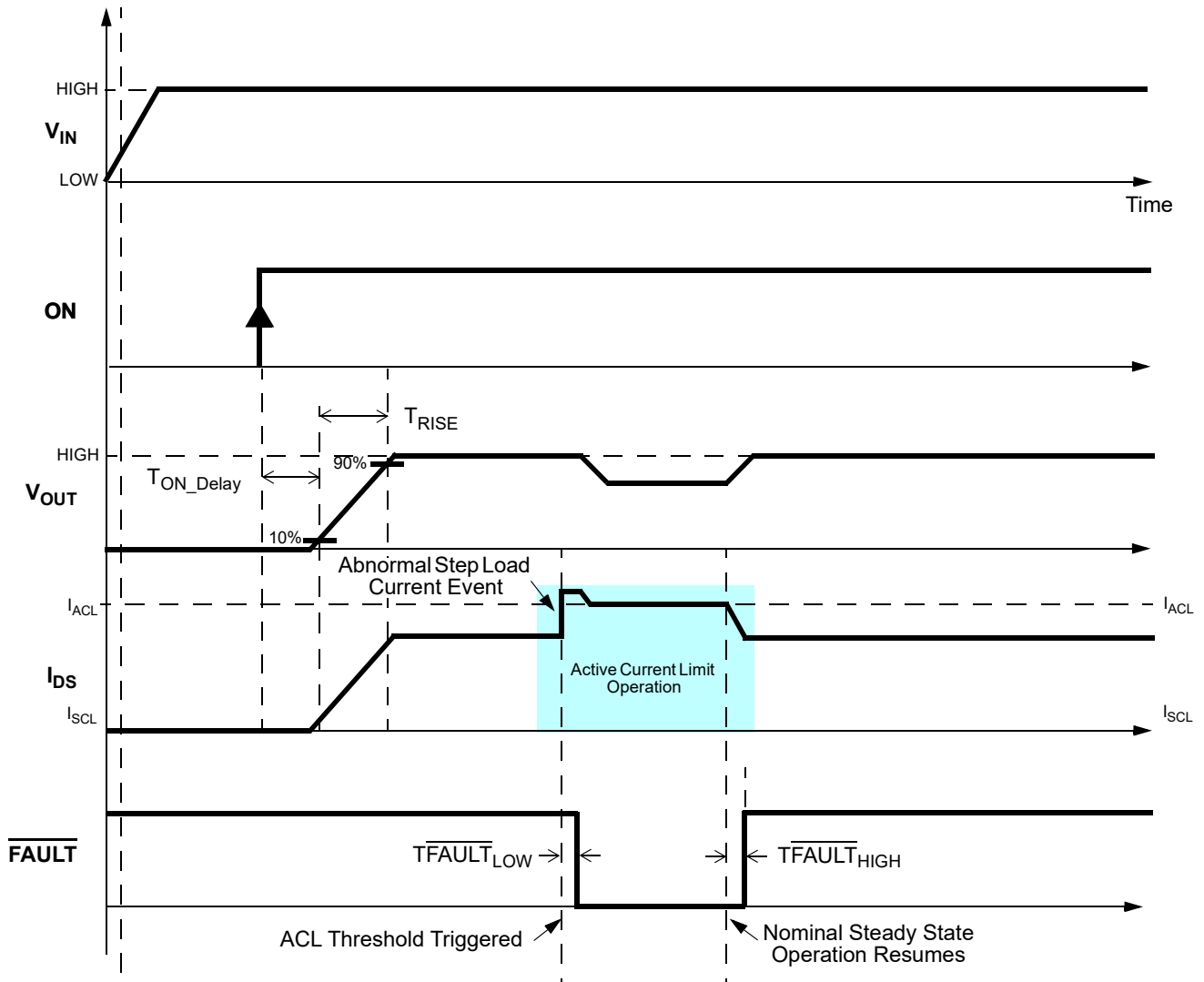
Case Temperature vs. Ambient Temperature (each V_{IN} and V_{OUT} square is 0.25 in², no airflow)



SLG59H1127V

A 12 V, 15 mΩ, 4 A Load Switch
with V_{IN} Lockout Select and Power Good Output

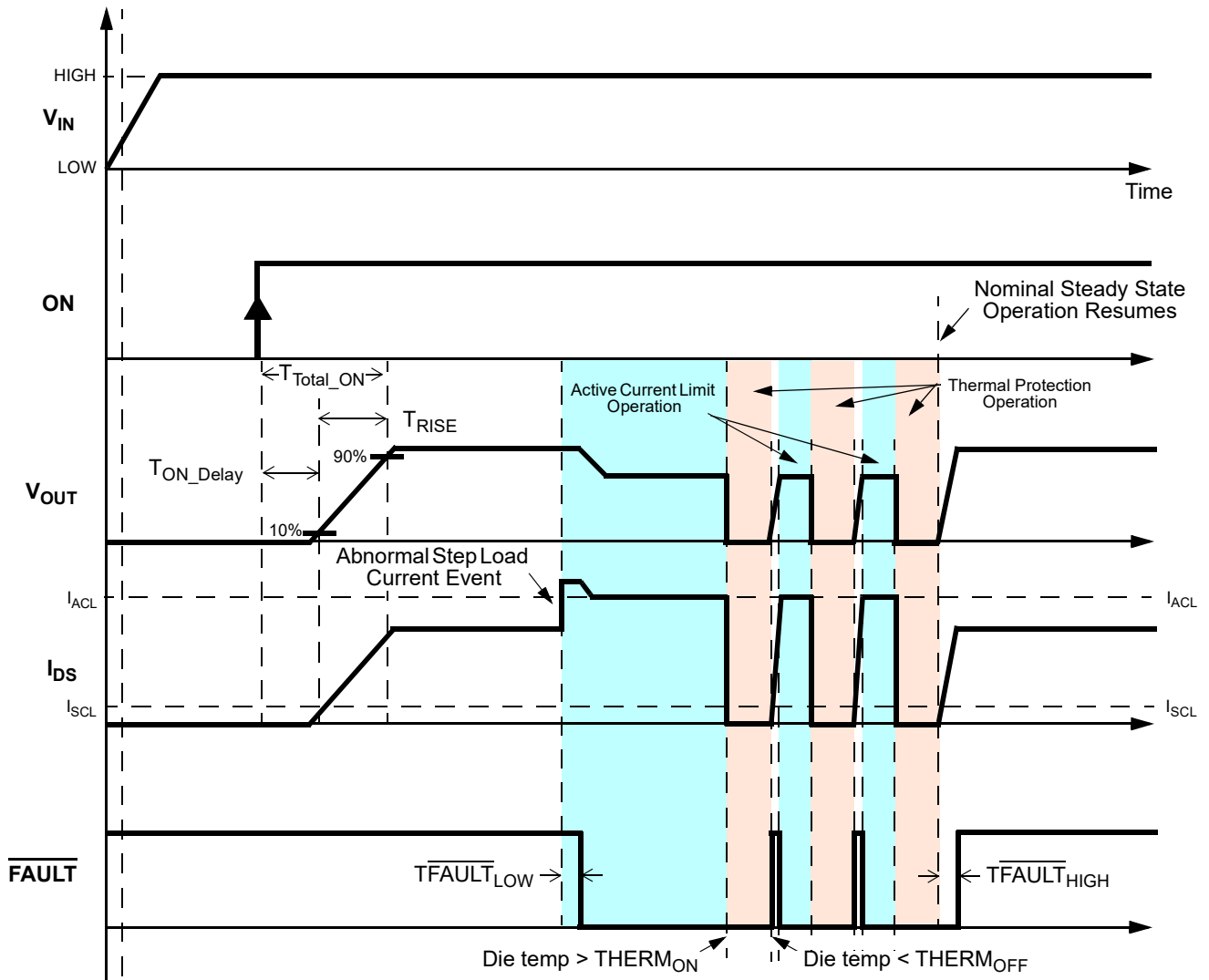
Timing Diagram - Basic Operation including Active Current Limit Protection



SLG59H1127V

A 12 V, 15 mΩ, 4 A Load Switch
with V_{IN} Lockout Select and Power Good Output

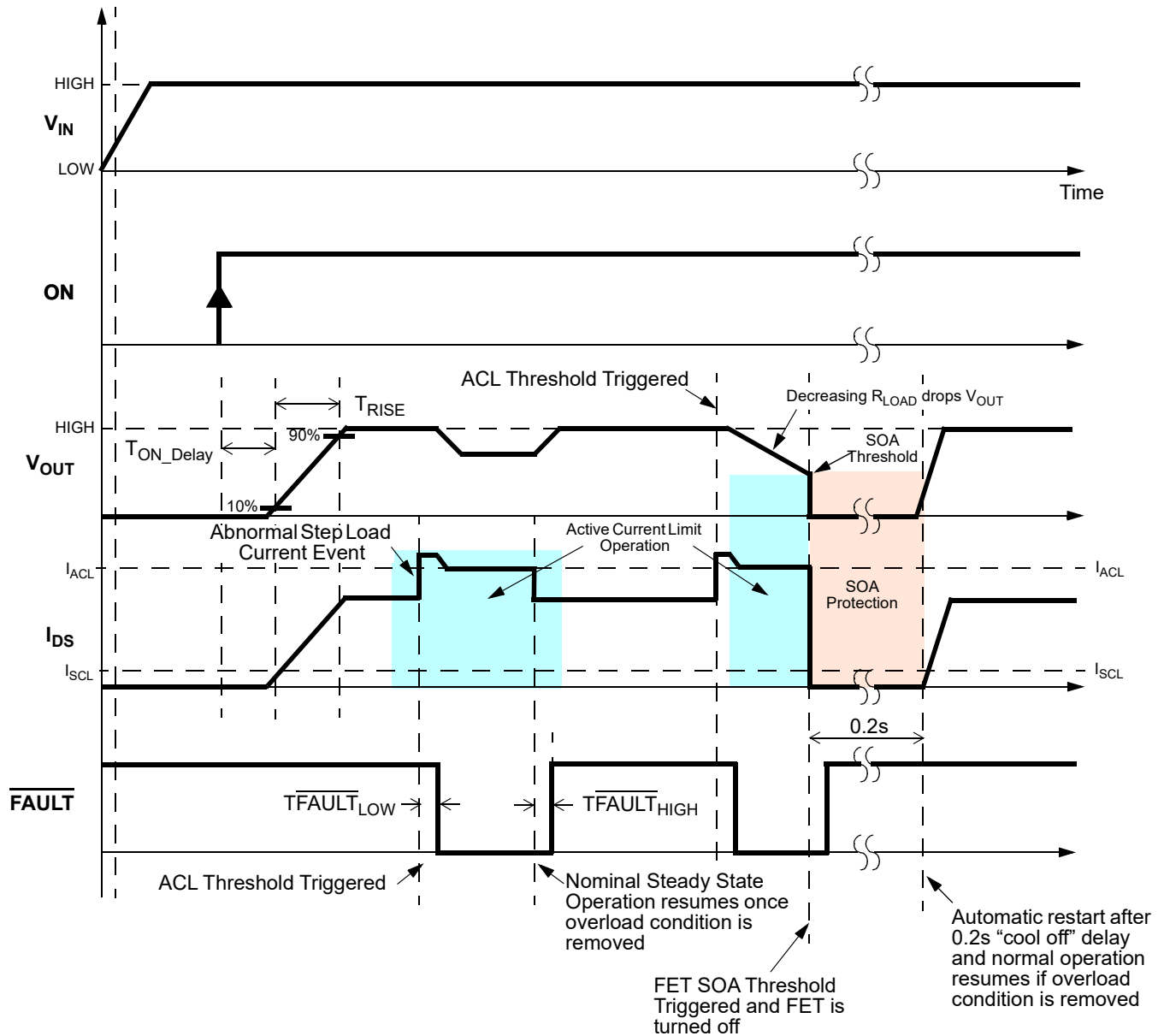
Timing Diagram - Active Current Limit & Thermal Protection Operation



SLG59H1127V

A 12 V, 15 mΩ, 4 A Load Switch
with V_{IN} Lockout Select and Power Good Output

Timing Diagram - Basic Operation including Active Current + Internal FET SOA Protection



SLG59H1127V

A 12 V, 15 mΩ, 4 A Load Switch with V_{IN} Lockout Select and Power Good Output

SLG59H1127V Application Diagram

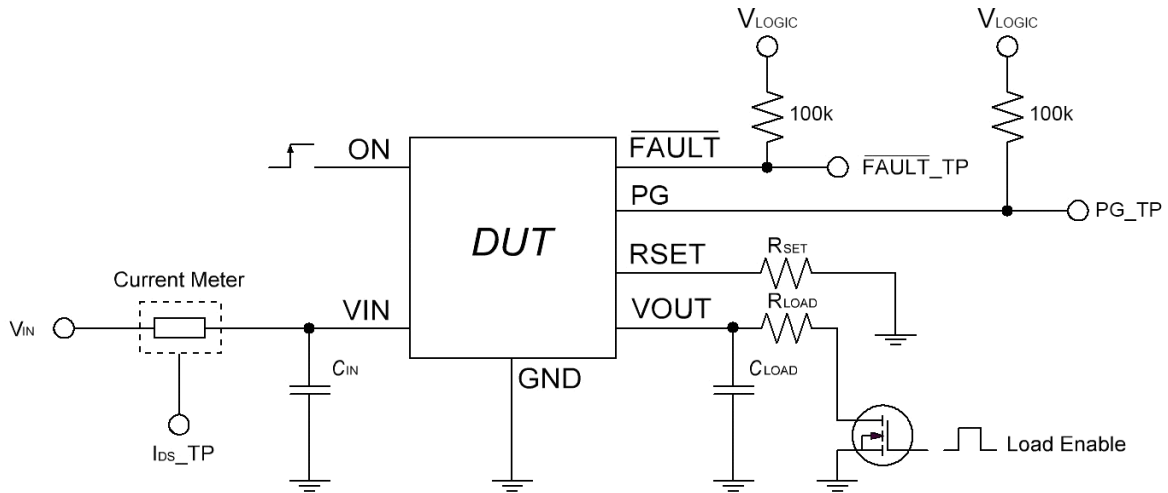


Figure 1. Test setup Application Diagram

Typical Turn-on Waveforms

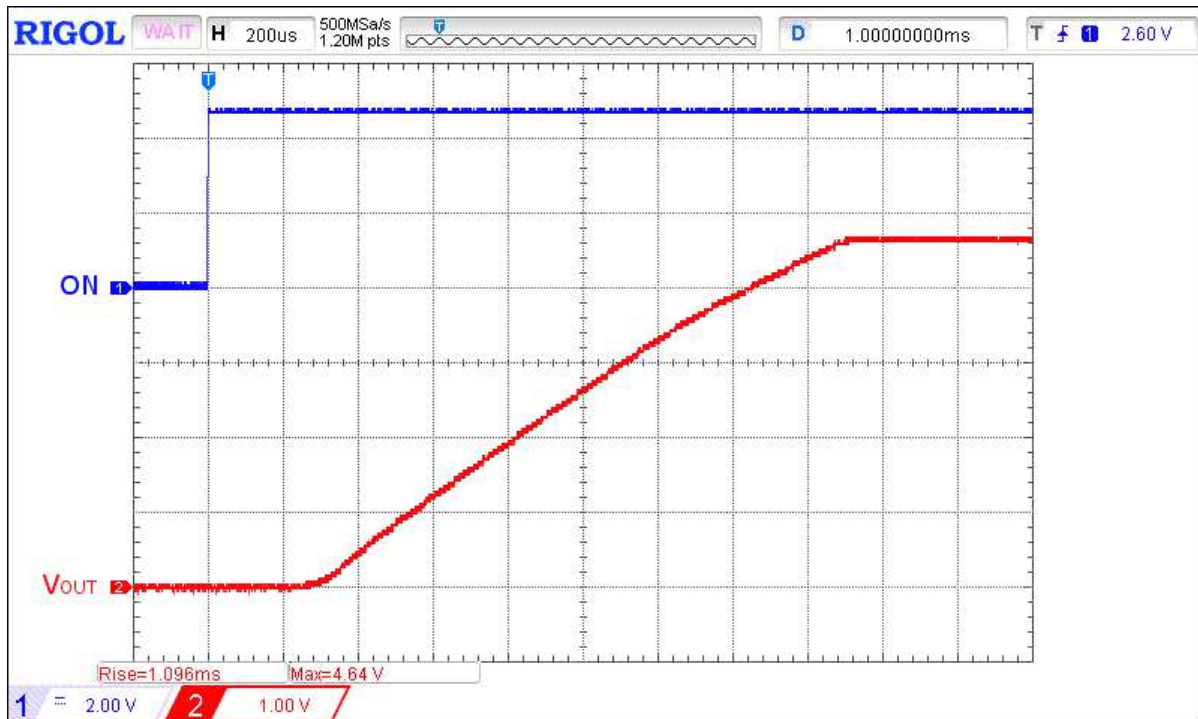


Figure 2. Typical Turn ON operation waveform for $V_{IN} = 4.5\text{ V}$, $C_{SLEW} = 10\text{ nF}$, $C_{LOAD} = 10\text{ }\mu\text{F}$, $R_{LOAD} = 100\text{ }\Omega$

SLG59H1127V

A 12 V, 15 mΩ, 4 A Load Switch
with V_{IN} Lockout Select and Power Good Output

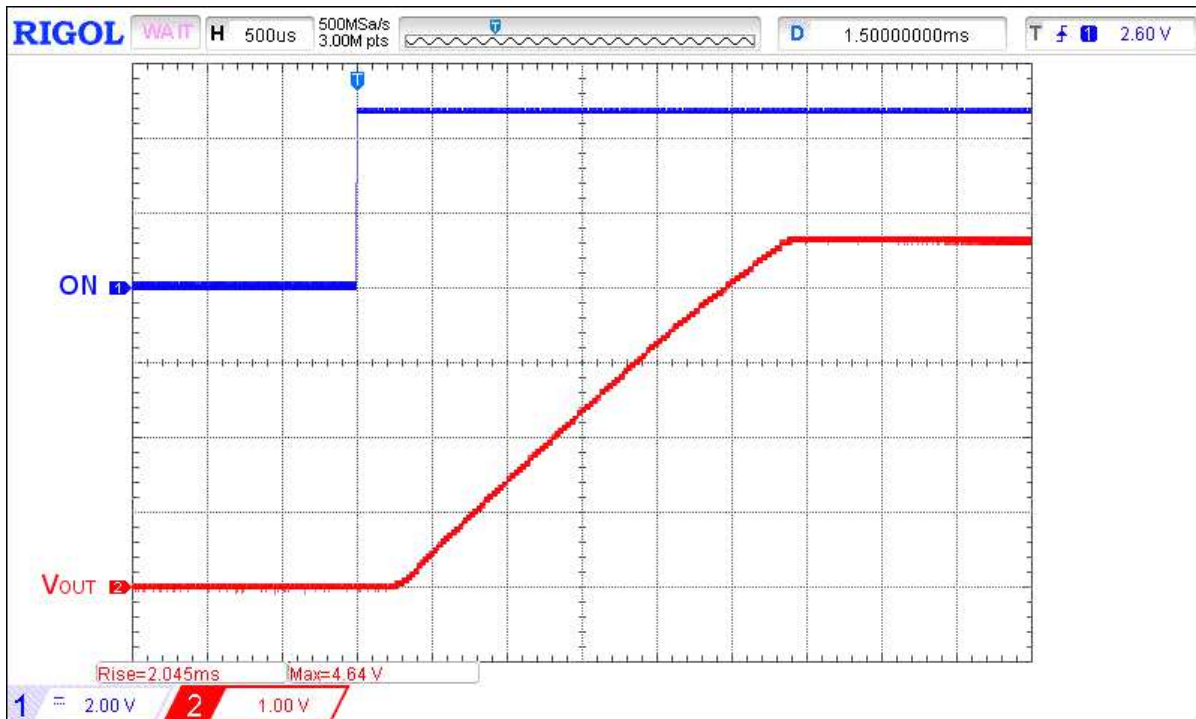


Figure 3. Typical Turn ON operation waveform for $V_{IN} = 4.5\text{ V}$, $C_{SLEW} = 18\text{ nF}$, $C_{LOAD} = 10\text{ }\mu\text{F}$, $R_{LOAD} = 100\text{ }\Omega$

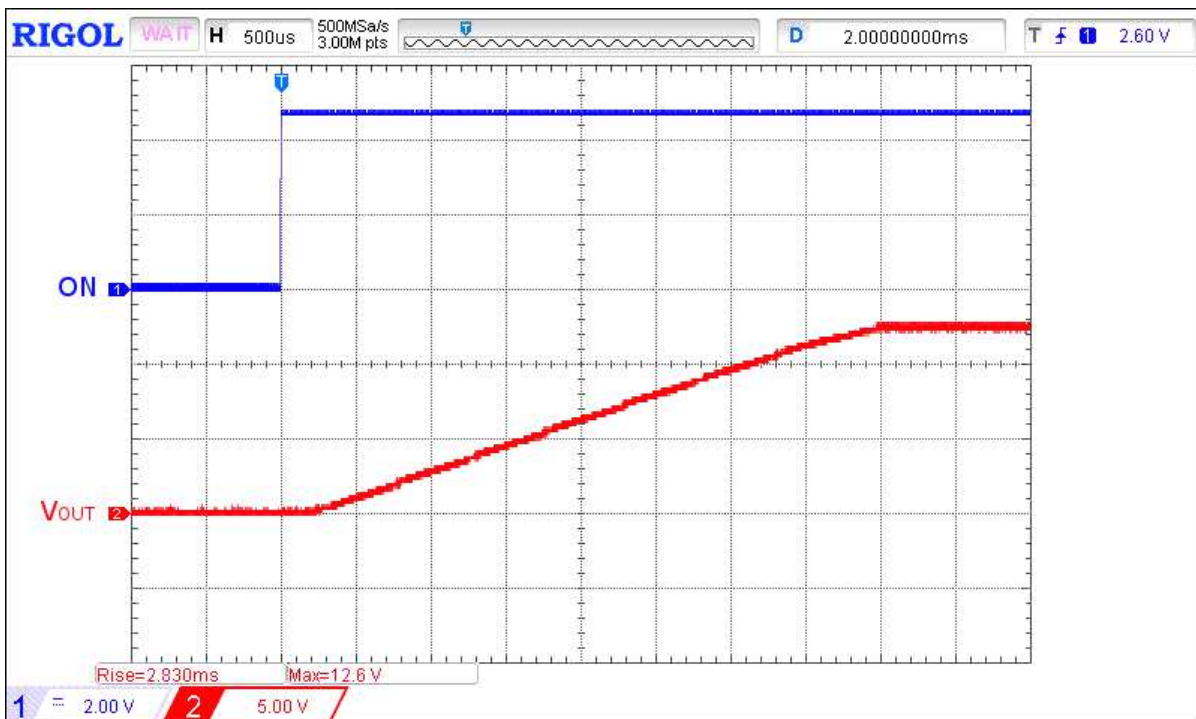


Figure 4. Typical Turn ON operation waveform for $V_{IN} = 12\text{ V}$, $C_{SLEW} = 10\text{ nF}$, $C_{LOAD} = 10\text{ }\mu\text{F}$, $R_{LOAD} = 100\text{ }\Omega$

SLG59H1127V

A 12 V, 15 mΩ, 4 A Load Switch
with V_{IN} Lockout Select and Power Good Output

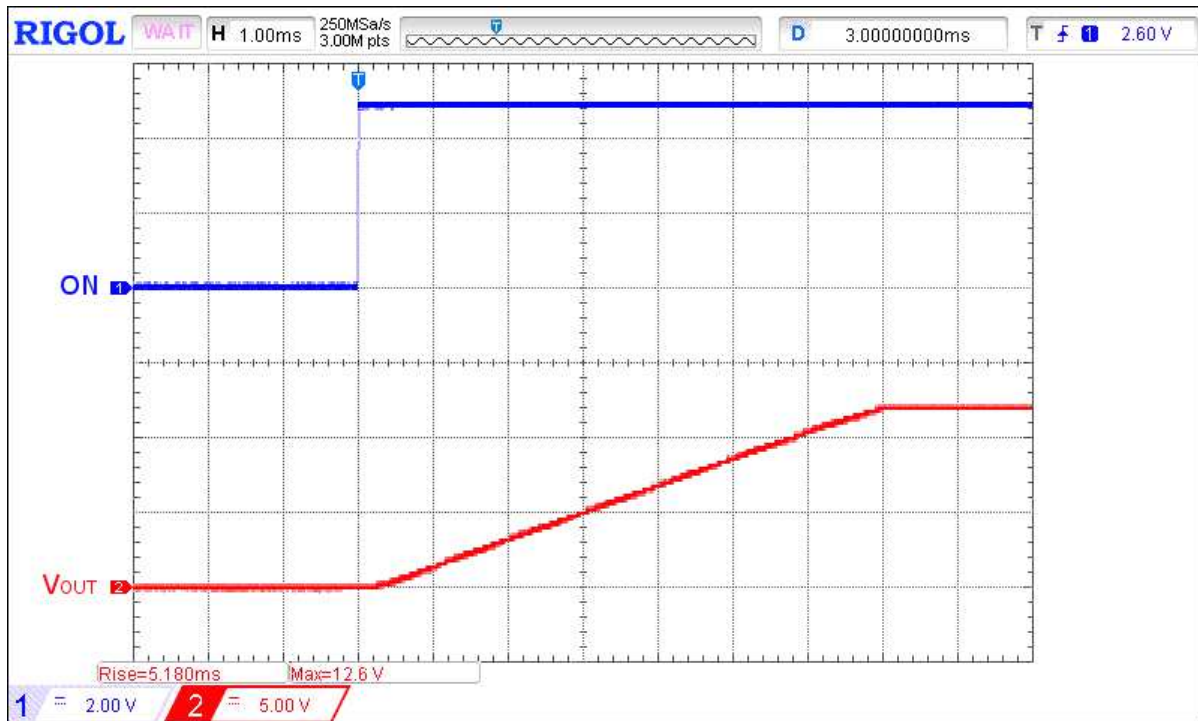


Figure 5. Typical Turn ON operation waveform for $V_{IN} = 12\text{ V}$, $C_{SLEW} = 18\text{ nF}$, $C_{LOAD} = 10\text{ }\mu\text{F}$, $R_{LOAD} = 100\text{ }\Omega$

Typical Turn-off Waveforms

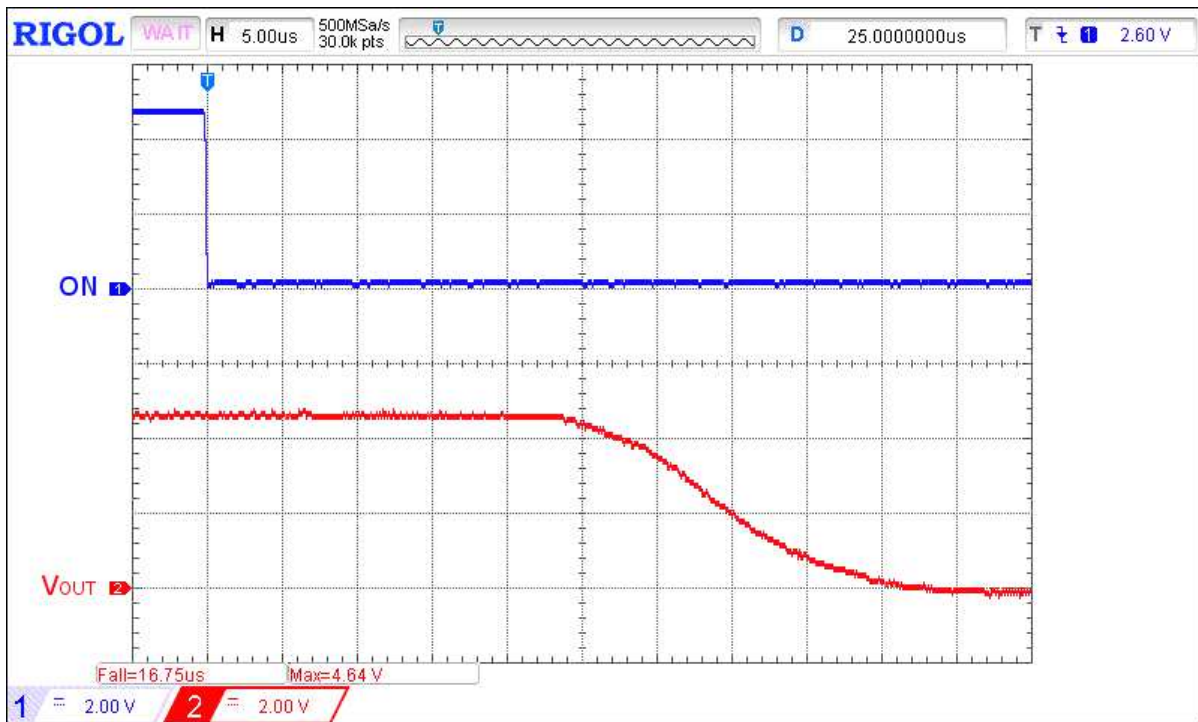


Figure 6. Typical Turn OFF operation waveform for $V_{IN} = 4.5\text{ V}$, $C_{SLEW} = 10\text{ nF}$, no C_{LOAD} , $R_{LOAD} = 100\text{ }\Omega$

SLG59H1127V

A 12 V, 15 mΩ, 4 A Load Switch
with V_{IN} Lockout Select and Power Good Output

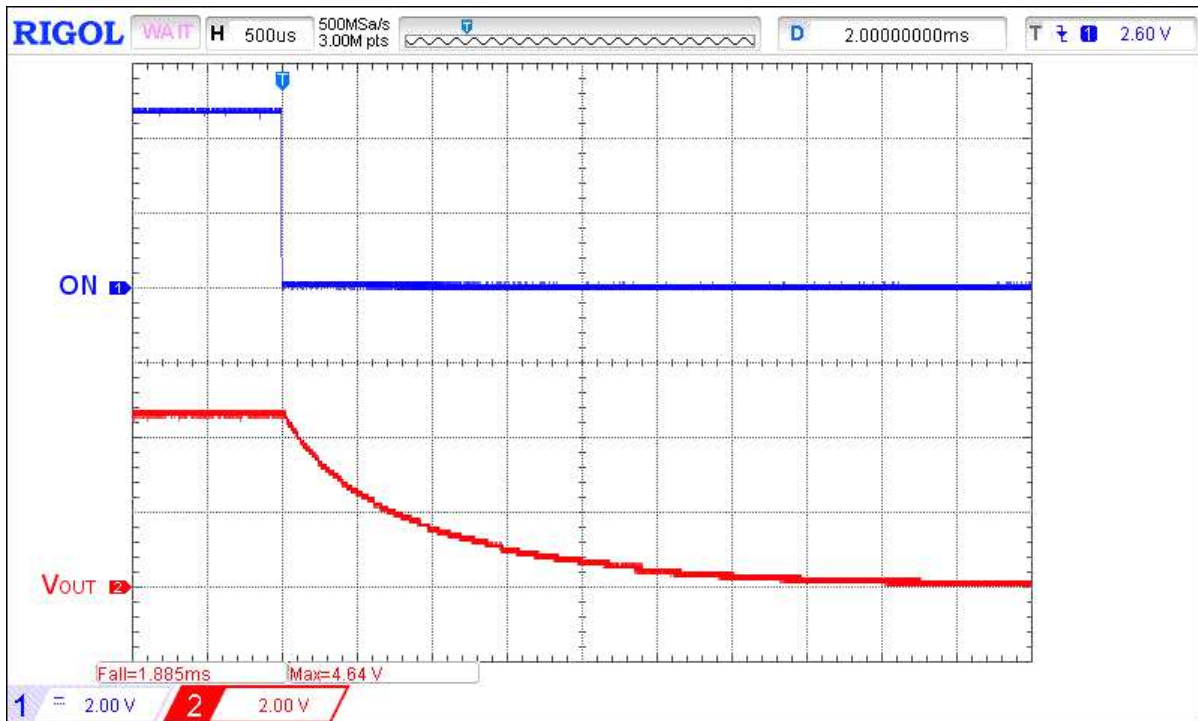


Figure 7. Typical Turn OFF operation waveform for $V_{IN} = 4.5\text{ V}$, $C_{SLEW} = 10\text{ nF}$, $C_{LOAD} = 10\text{ }\mu\text{F}$, $R_{LOAD} = 100\text{ }\Omega$

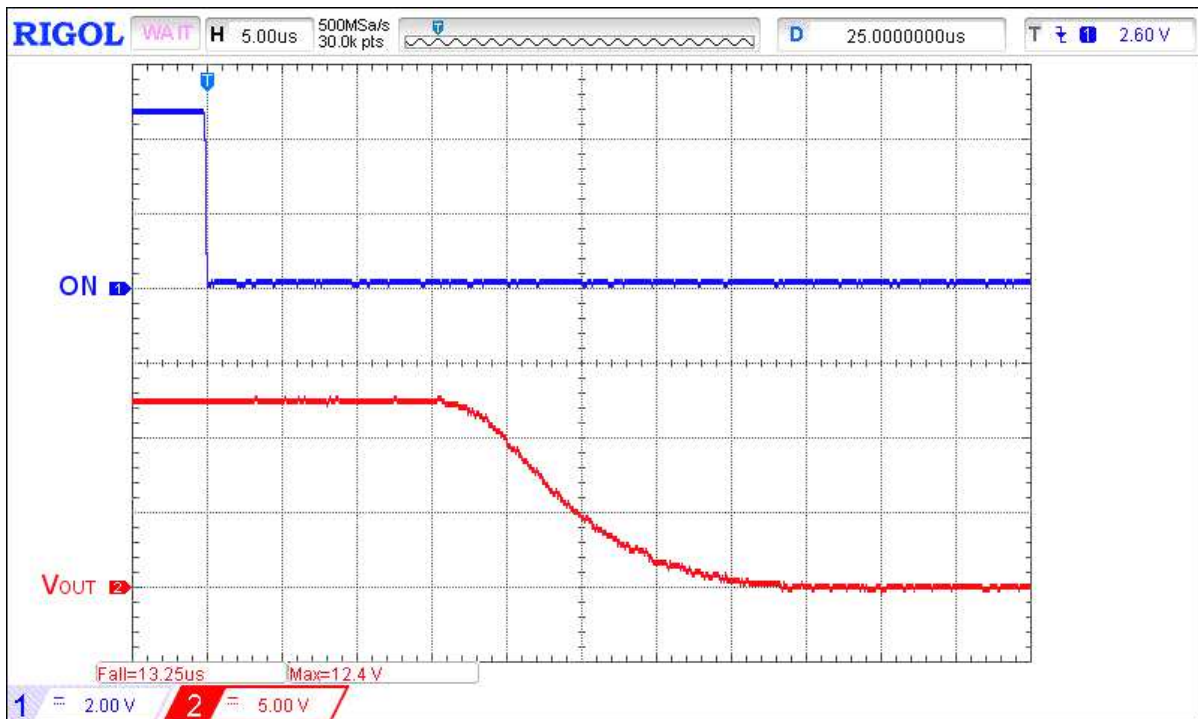


Figure 8. Typical Turn OFF operation waveform for $V_{IN} = 12\text{ V}$, $C_{SLEW} = 10\text{ nF}$, no C_{LOAD} , $R_{LOAD} = 100\text{ }\Omega$

SLG59H1127V

A 12 V, 15 mΩ, 4 A Load Switch
with V_{IN} Lockout Select and Power Good Output

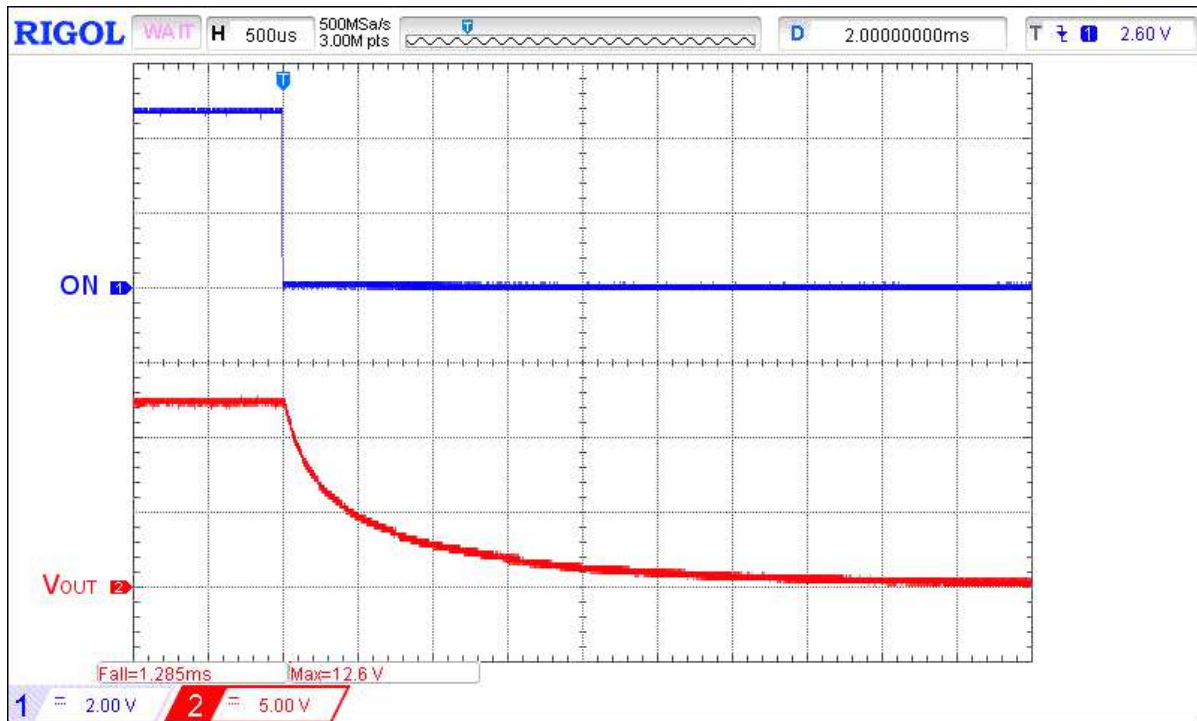


Figure 9. Typical Turn OFF operation waveform for $V_{IN} = 12\text{ V}$, $C_{SLEW} = 10\text{ nF}$, $C_{LOAD} = 10\text{ }\mu\text{F}$, $R_{LOAD} = 100\text{ }\Omega$

Typical ACL Operation Waveforms

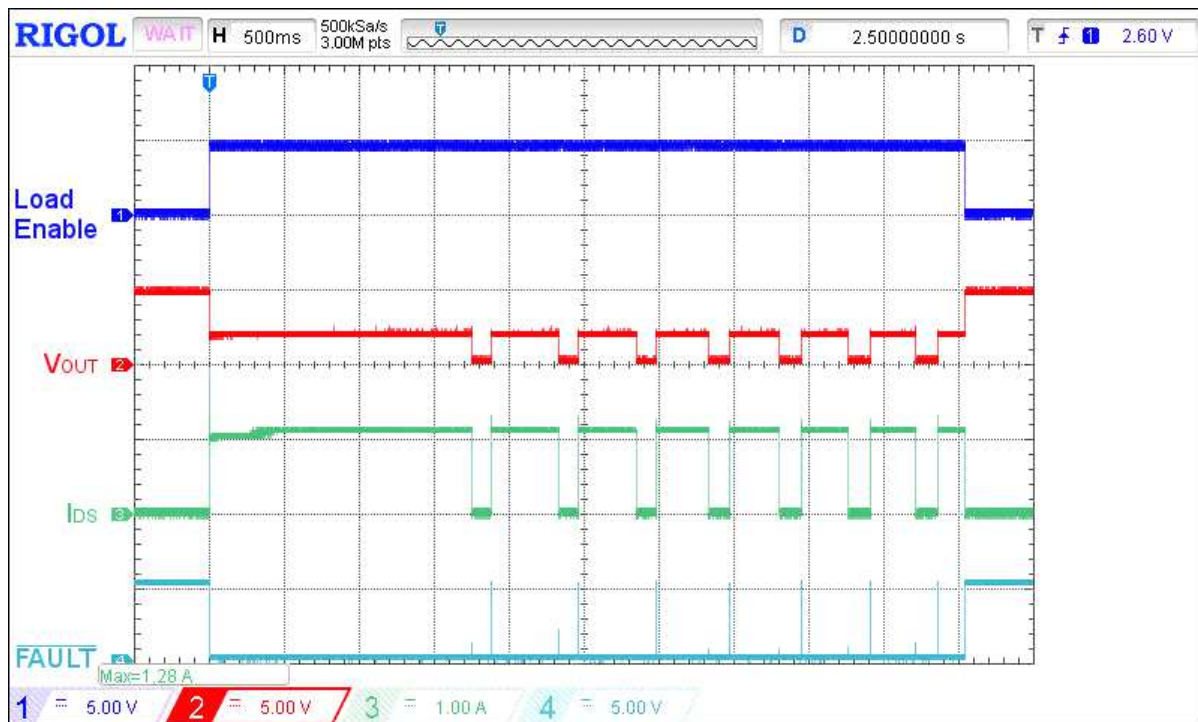


Figure 10. Typical ACL operation waveform for $V_{IN} = 4.5\text{ V}$, $C_{LOAD} = 10\text{ }\mu\text{F}$, $I_{ACL} = 1\text{ A}$, $R_{SET} = 95.3\text{ k}\Omega$

SLG59H1127V

A 12 V, 15 mΩ, 4 A Load Switch
with V_{IN} Lockout Select and Power Good Output

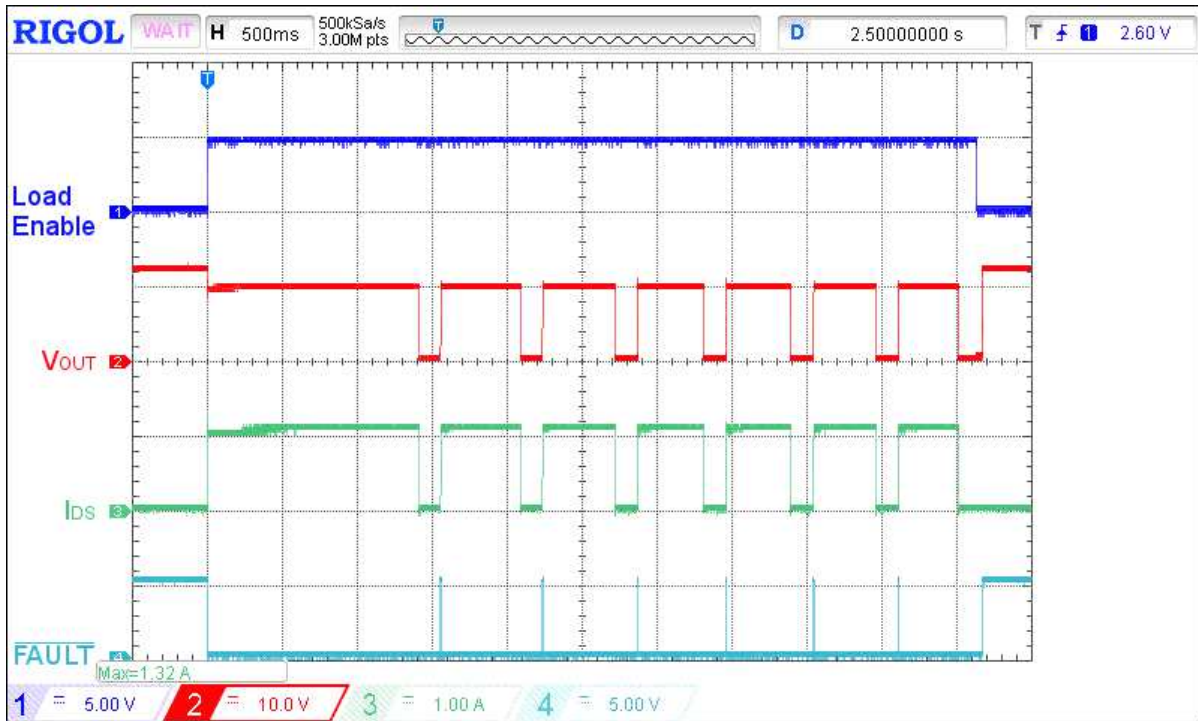


Figure 11. Typical ACL operation waveform for $V_{IN} = 12\text{ V}$, $C_{LOAD} = 10\ \mu\text{F}$, $I_{ACL} = 1\text{ A}$, $R_{SET} = 95.3\ \text{k}\Omega$

Typical FAULT Operation Waveforms

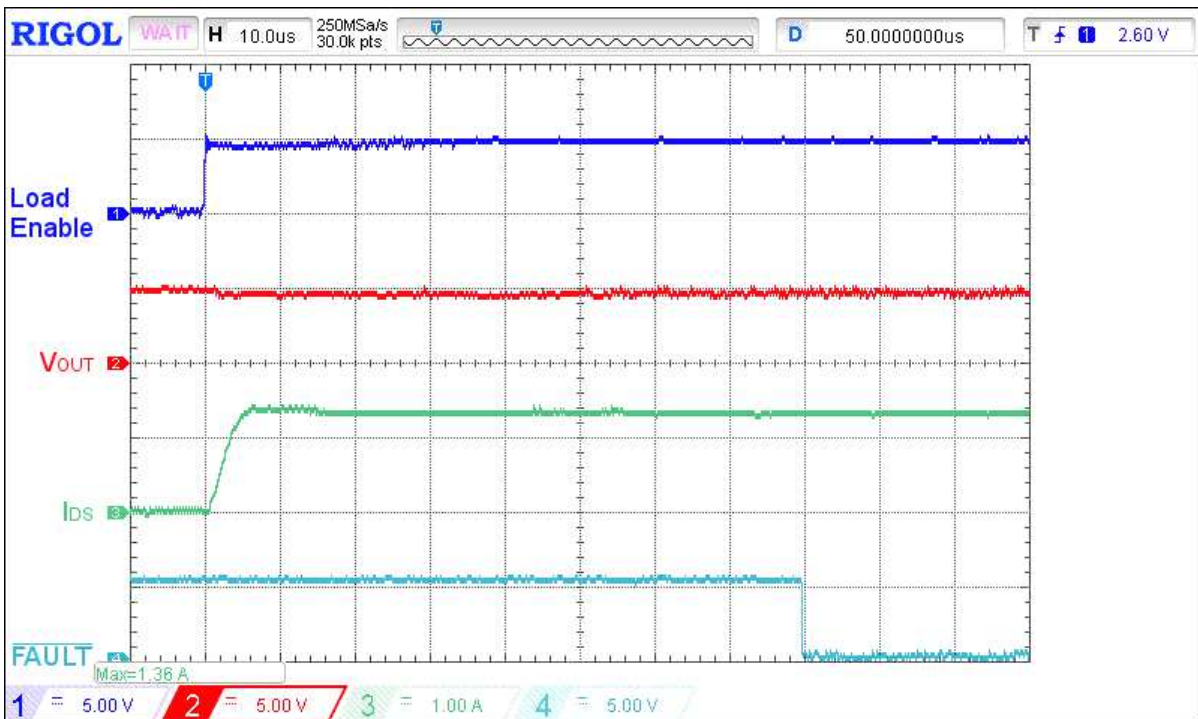


Figure 12. Typical FAULT assertion waveform for $V_{IN} = 4.5\text{ V}$, $C_{LOAD} = 10\ \mu\text{F}$, $I_{ACL} = 1\text{ A}$, $R_{SET} = 95.3\ \text{k}\Omega$, switch on $3.3\ \Omega$ load

SLG59H1127V

A 12 V, 15 mΩ, 4 A Load Switch
with V_{IN} Lockout Select and Power Good Output

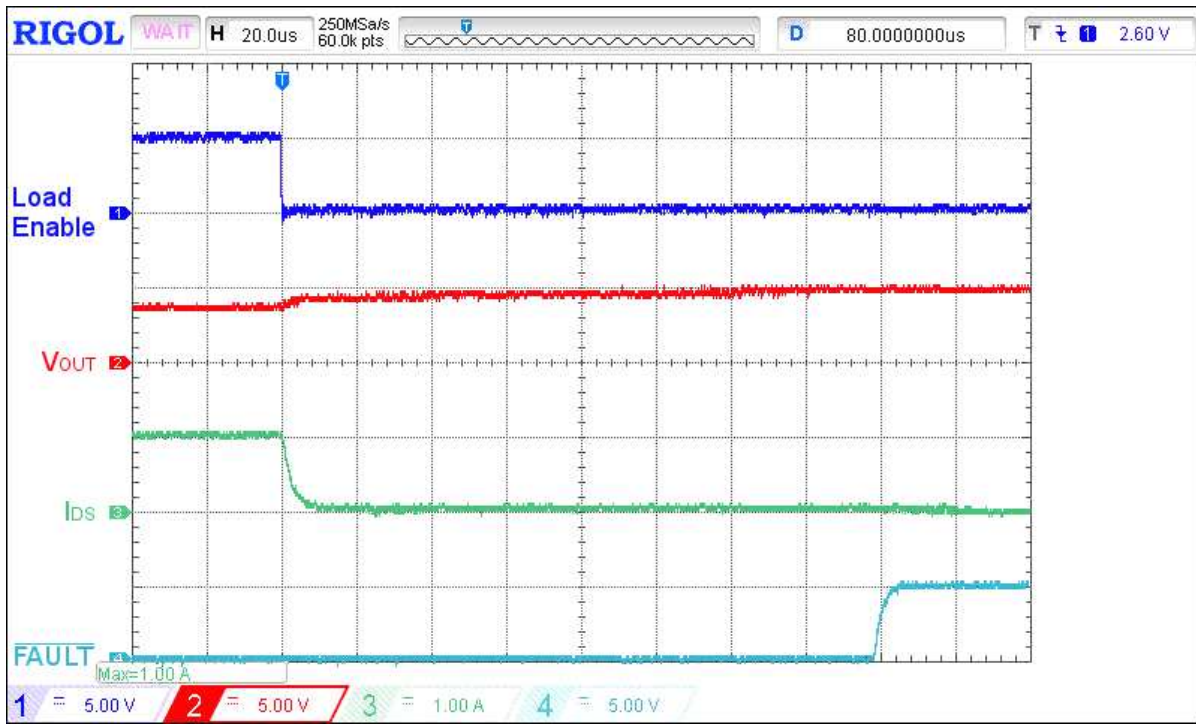


Figure 13. Typical $\overline{\text{FAULT}}$ de-assertion waveform for $V_{IN} = 4.5 \text{ V}$, $C_{LOAD} = 10 \mu\text{F}$, $I_{ACL} = 1 \text{ A}$, $R_{SET} = 95.3 \text{ k}\Omega$, switch out 3.3Ω load

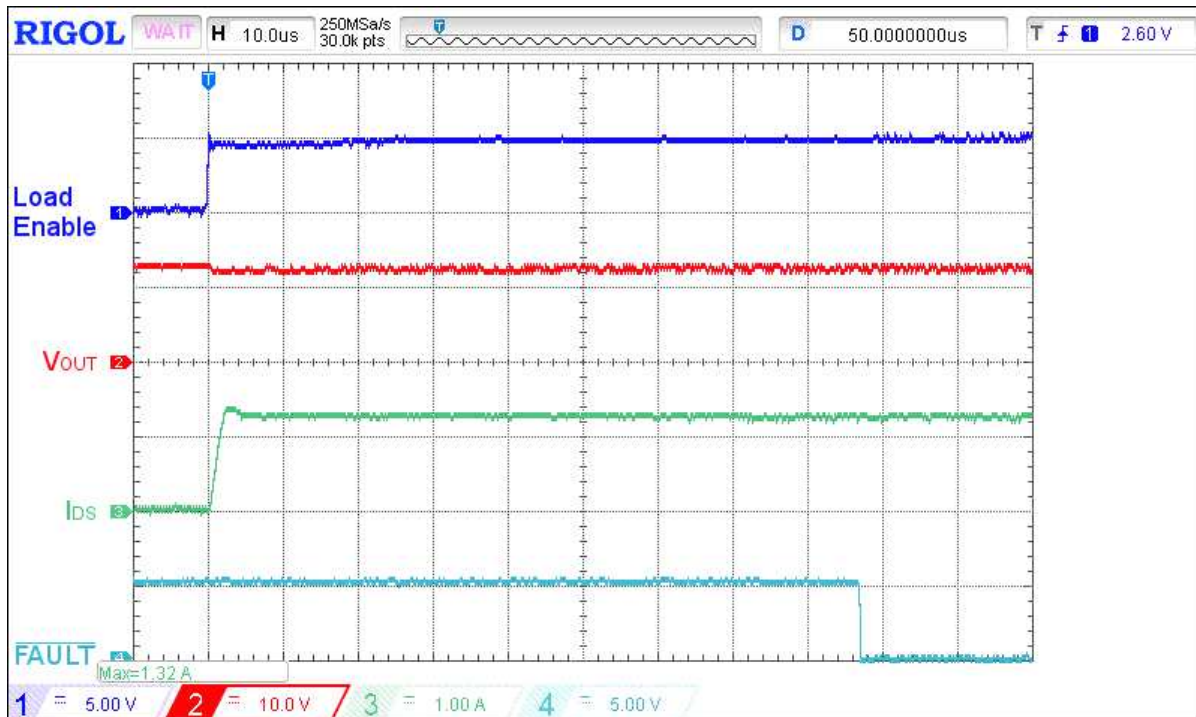


Figure 14. Typical $\overline{\text{FAULT}}$ assertion waveform for $V_{IN} = 12 \text{ V}$, $C_{LOAD} = 10 \mu\text{F}$, $I_{ACL} = 1 \text{ A}$, $R_{SET} = 95.3 \text{ k}\Omega$, switch on 10Ω load

SLG59H1127V

A 12 V, 15 mΩ, 4 A Load Switch
with V_{IN} Lockout Select and Power Good Output

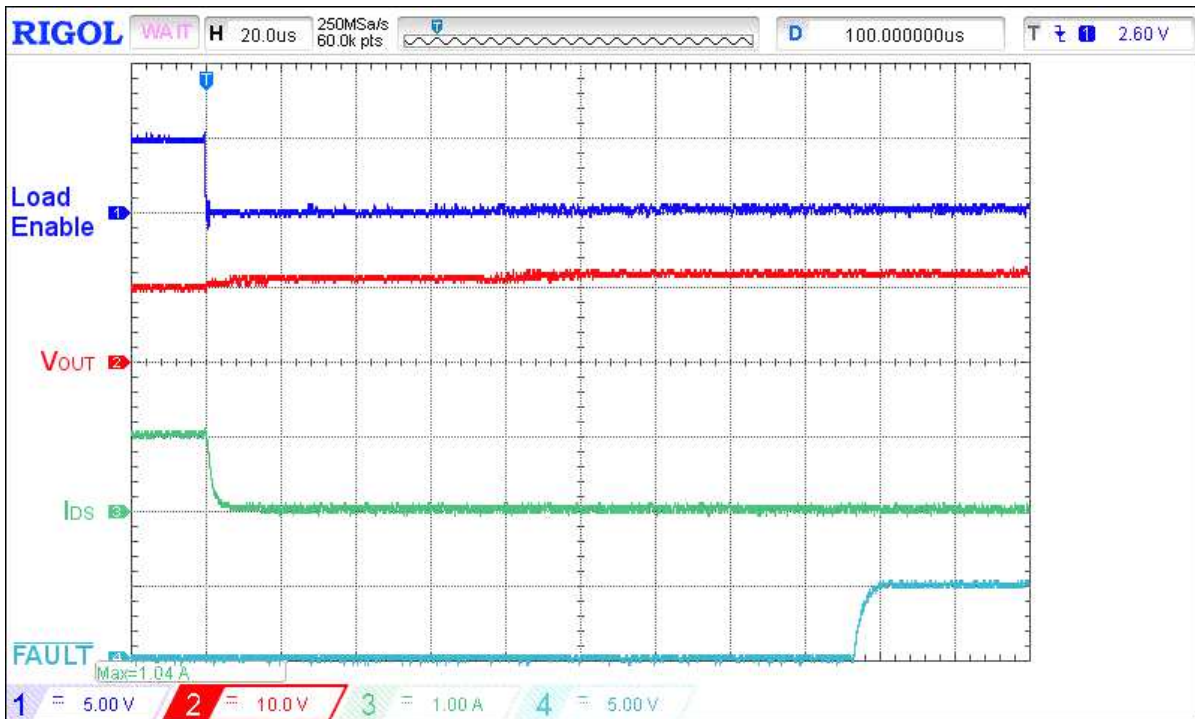


Figure 15. Typical FAULT de-assertion waveform for $V_{IN} = 12\text{ V}$, $C_{LOAD} = 10\ \mu\text{F}$, $I_{ACL} = 1\text{ A}$, $R_{SET} = 95.3\text{ k}\Omega$, switch out $10\ \Omega$ load

Typical Power Good Waveform

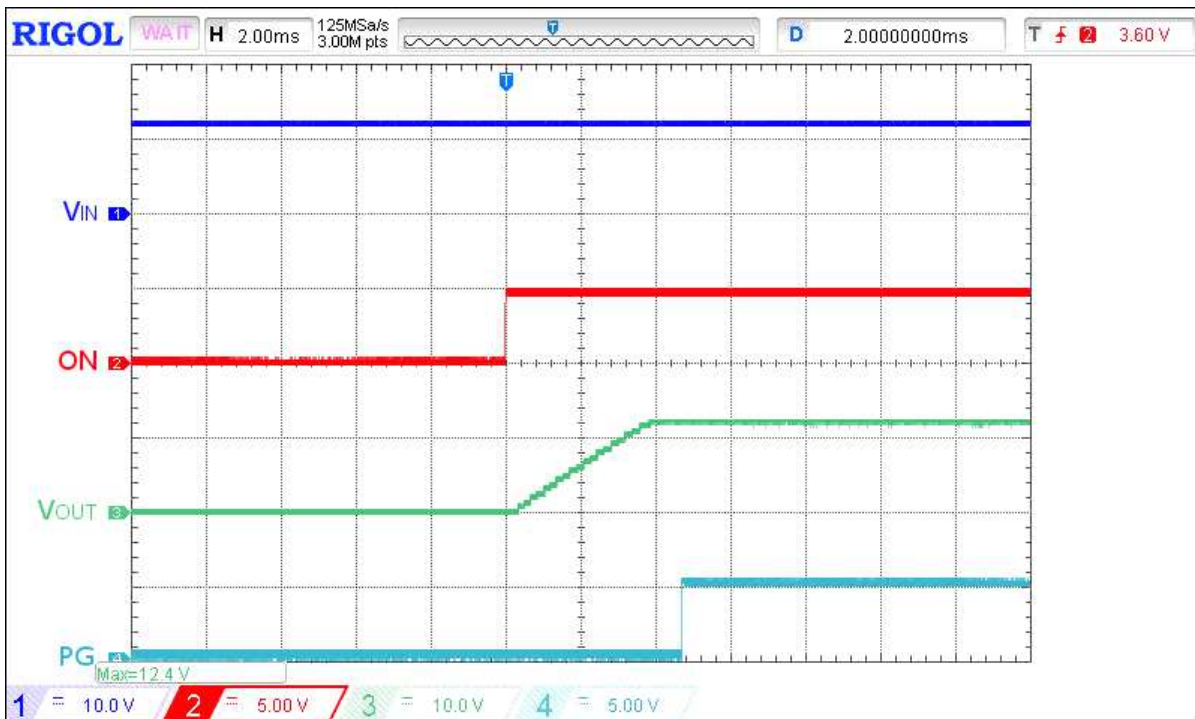


Figure 16. Typical Power Good operation waveform for $V_{IN} = 12\text{ V}$, $C_{LOAD} = 10\ \mu\text{F}$, no R_{LOAD}

SLG59H1127V

A 12 V, 15 mΩ, 4 A Load Switch
with V_{IN} Lockout Select and Power Good Output

Typical SOA Waveforms

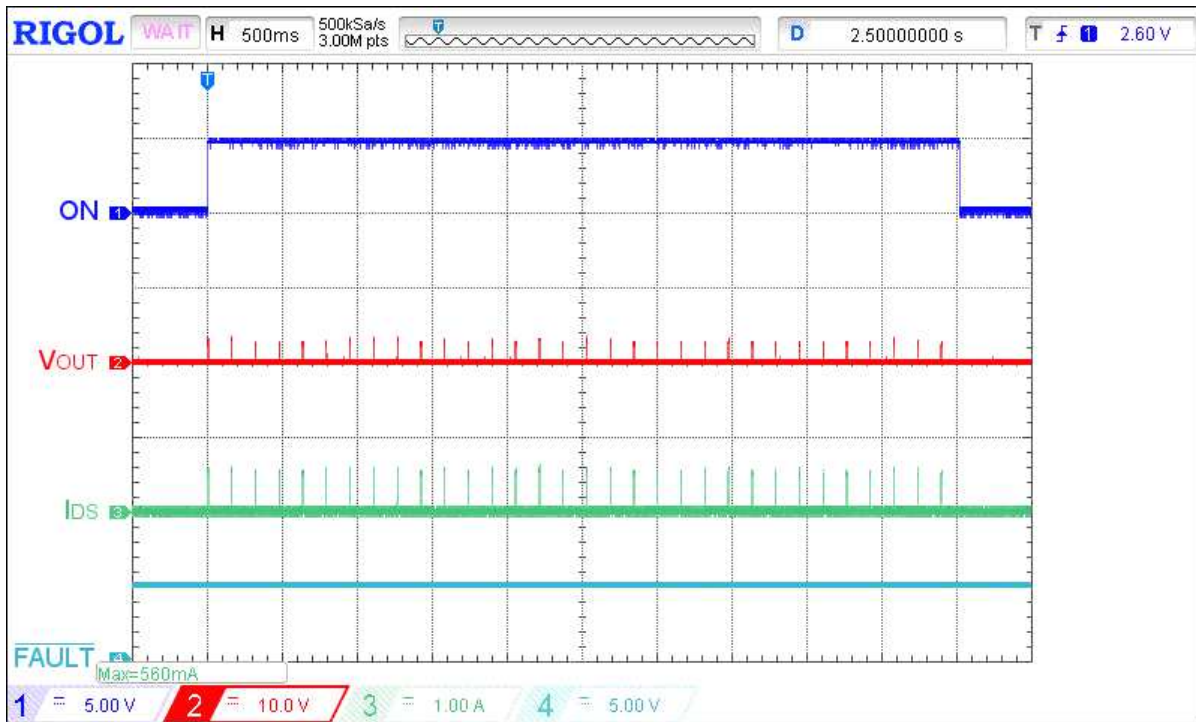


Figure 17. Typical SOA waveform during power up under heavy load for $V_{IN} = 12\text{ V}$,
 $C_{LOAD} = 10\ \mu\text{F}$, $R_{SET} = 30.1\ \text{k}\Omega$, $R_{LOAD} = 5\ \Omega$

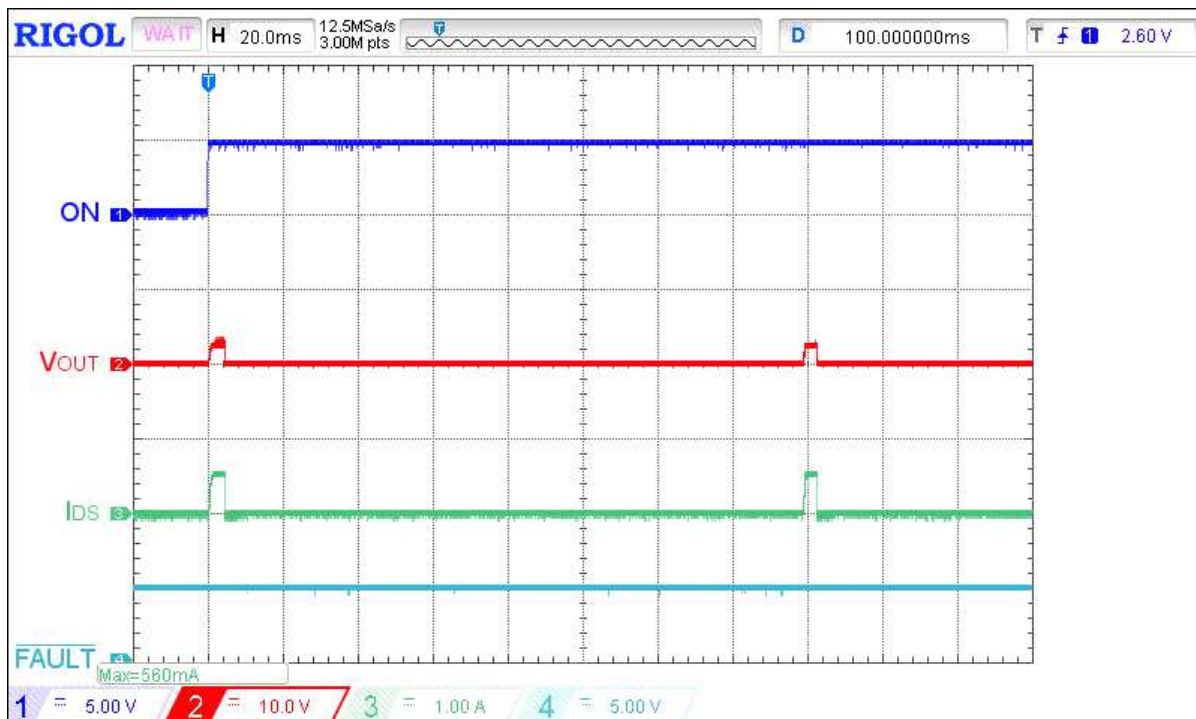


Figure 18. Extended typical SOA waveform during power up under heavy load for $V_{IN} = 12\text{ V}$,
 $C_{LOAD} = 10\ \mu\text{F}$, $R_{SET} = 30.1\ \text{k}\Omega$, $R_{LOAD} = 5\ \Omega$

SLG59H1127V

A 12 V, 15 mΩ, 4 A Load Switch
with V_{IN} Lockout Select and Power Good Output

Applications Information

High Voltage GreenFET Safe Operating Area Explained

Renesas's High Voltage GreenFET load switches incorporate a number of internal protection features that prevents them from damaging themselves or any other circuit or subcircuit downstream of them. One particular protection feature is their Safe Operation Area (SOA) protection. SOA protection is automatically activated under overpower and, in some cases, under overcurrent conditions. Overpower SOA is activated if package power dissipation exceeds an internal 5 W threshold longer than 2.5 ms. High Voltage GreenFET devices will quickly switch off (open circuit) upon overpower detection and automatically resume (close) nominal operation once overpower condition no longer exists.

One of the possible ways to have an overpower condition trigger SOA protection is when High Voltage GreenFET products are enabled into heavy output resistive loads and/or into large load capacitors. It is under these conditions to follow carefully the “Safe Start-up Loading” guidance in the Applications section of the datasheet. During an overcurrent condition, High Voltage GreenFET devices will try to limit the output current to the level set by the external R_{SET} resistor. Limiting the output current, however, causes an increased voltage drop across the FET's channel because the FET's R_{DS(ON)} increased as well. Since the FET's R_{DS(ON)} is larger, package power dissipation also increases. If the resultant increase in package power dissipation is higher/equal than 5 W for longer than 2.5 ms, internal SOA protection will be triggered and the FET will open circuit (switch off). Every time SOA protection is triggered, all High Voltage GreenFET devices will automatically attempt to resume nominal operation after 160 ms.

Safe Start-up Condition

SLG59H1127V has built-in protection to prevent over-heating during start-up into a heavy load. Overloading the V_{OUT} pin with a capacitor and a resistor may result in non-monotonic V_{OUT} ramping or repeated restarts (*Figure 17* and *Figure 18*). In general, under light loading on V_{OUT}, V_{OUT} ramping can be controlled with C_{SLEW} value. The following equation serves as a guide:

$$C_{SLEW} = \frac{T_{RISE}}{V_{IN}} \times 4.9 \mu A \times \frac{20}{3}$$

where

T_{RISE} = Total rise time from 10% V_{OUT} to 90% V_{OUT}

V_{IN} = Input Voltage

C_{SLEW} = Capacitor value for CAP pin

When capacitor and resistor loading on V_{OUT} during start up, the following tables will ensure V_{OUT} ramping is monotonic without triggering internal protection:

Safe Start-up Loading for V _{IN} = 12 V (Monotonic Ramp)			
Slew Rate (V/ms)	C _{SLEW} (nF) ²	C _{LOAD} (μF)	R _{LOAD} (Ω)
1	33.3	500	20
2	16.7	250	20
3	11.1	160	20
4	8.3	120	20
5	6.7	100	20

Note 2: Select the closest-value tolerance capacitor.

SLG59H1127V

A 12 V, 15 mΩ, 4 A Load Switch
with V_{IN} Lockout Select and Power Good Output

Setting the SLG59H1127V's Active Current Limit

R_{SET} (kΩ)	Active Current Limit (A) ³
91	1
45	2
30	3
18	5

Note 3: Active Current Limit accuracy is $\pm 15\%$ over voltage range and temperature range

Setting the SLG59H1127V's Input Overvoltage Lockout Threshold

As shown in the table below, SEL selects the V_{IN} overvoltage threshold at which the SLG59H1127V's internal state machine will turn OFF (open circuit) the power MOSFET if V_{IN} exceeds the selected threshold.

SEL	$V_{IN(OVLO)}$ (Typ)
0	14.4 V

With an activated SLG59H1127V (ON=HIGH) and at any time V_{IN} crosses the programmed V_{IN} overvoltage threshold, the state machine opens the load switch and asserts the FAULT pin within T_{FAULT_LOW} .

In applications with a deactivated or inactive SLG59H1127V ($V_{IN} > V_{IN(UVLO)}$ and ON=LOW) and if the applied V_{IN} is higher than the programmed $V_{IN(OVLO)}$ threshold, the SLG59H1127V's state machine will keep the load switch open circuited if the ON pin is toggled LOW-to-HIGH. In these cases, the FAULT pin will also be asserted within T_{FAULT_LOW} and will remain asserted until V_{IN} resumes nominal, steady-state operation.

In all cases, the SLG59H1127V's V_{IN} undervoltage lockout threshold is fixed at $V_{IN(UVLO)}$.

Power Dissipation

The junction temperature of the SLG59H1127V depends on different factors such as board layout, ambient temperature, and other environmental factors. The primary contributor to the increase in the junction temperature of the SLG59H1127V is the power dissipation of its power MOSFET. Its power dissipation and the junction temperature in nominal operating mode can be calculated using the following equations:

$$PD = RDS_{ON} \times I_{DS}^2$$

where:

PD = Power dissipation, in Watts (W)

RDS_{ON} = Power MOSFET ON resistance, in Ohms (Ω)

I_{DS} = MOSFET current, in Amps (A)

and

$$T_J = PD \times \theta_{JA} + T_A$$

where:

T_J = Junction temperature, in Celsius degrees (°C)

θ_{JA} = Package thermal resistance, in Celsius degrees per Watt (°C/W)

T_A = Ambient temperature, in Celsius degrees (°C)

SLG59H1127V

A 12 V, 15 mΩ, 4 A Load Switch
with V_{IN} Lockout Select and Power Good Output

Power Dissipation (continued)

In current-limit mode, the SLG59H1127V's power dissipation can be calculated by taking into account the voltage drop across the load switch ($V_{IN} - V_{OUT}$) and the magnitude of the output current in current-limit mode (I_{ACL}):

$$PD = (V_{IN} - V_{OUT}) \times I_{ACL} \text{ or}$$

$$PD = (V_{IN} - (R_{LOAD} \times I_{ACL})) \times I_{ACL}$$

where:

PD = Power dissipation, in Watts (W)
 V_{IN} = Input Voltage, in Volts (V)
 R_{LOAD} = Load Resistance, in Ohms (Ω)
 I_{ACL} = Output limited current, in Amps (A)
 $V_{OUT} = R_{LOAD} \times I_{ACL}$

SLG59H1127V

A 12 V, 15 mΩ, 4 A Load Switch with V_{IN} Lockout Select and Power Good Output

Layout Guidelines:

1. Since the VIN and VOUT pins dissipate most of the heat generated during high-load current operation, it is highly recommended to make power traces as short, direct, and wide as possible. A good practice is to make power traces with absolute minimum widths of 15 mils (0.381 mm) per Ampere. A representative layout, shown in [Figure 19](#), illustrates proper techniques for heat to transfer as efficiently as possible out of the device;
2. To minimize the effects of parasitic trace inductance on normal operation, it is recommended to connect input C_{IN} and output C_{LOAD} low-ESR capacitors as close as possible to the SLG59H1127V's VIN and VOUT pins;
3. The GND pin should be connected to system analog or power ground plane.
4. 2 oz. copper is recommended for high current operation.

SLG59H1127V Evaluation Board:

A High Voltage GreenFET Evaluation Board for SLG59H1127V is designed according to the statements above and is illustrated on [Figure 19](#). Please note that evaluation board has D_Sense and S_Sense pads. They cannot carry high currents and dedicated only for RDS_{ON} evaluation.

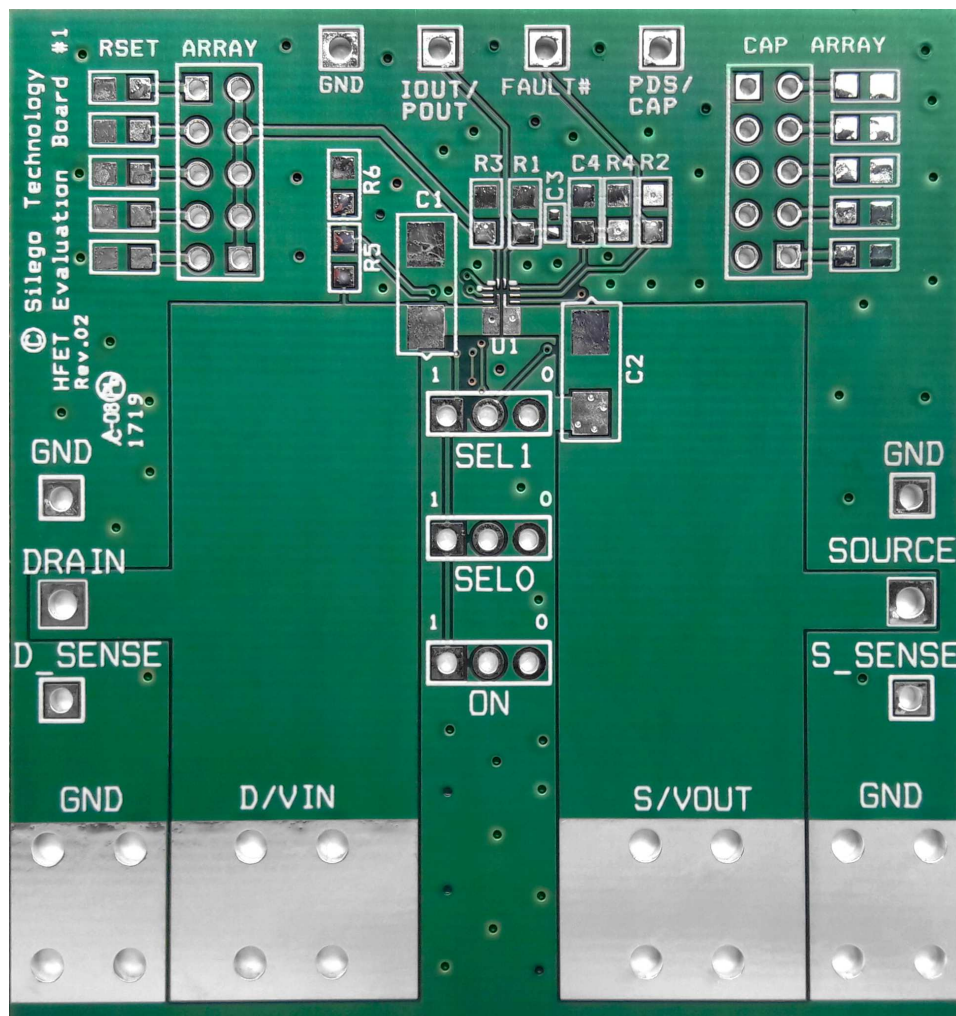


Figure 19. SLG59H1127V Evaluation Board

SLG59H1127V

A 12 V, 15 mΩ, 4 A Load Switch
with V_{IN} Lockout Select and Power Good Output

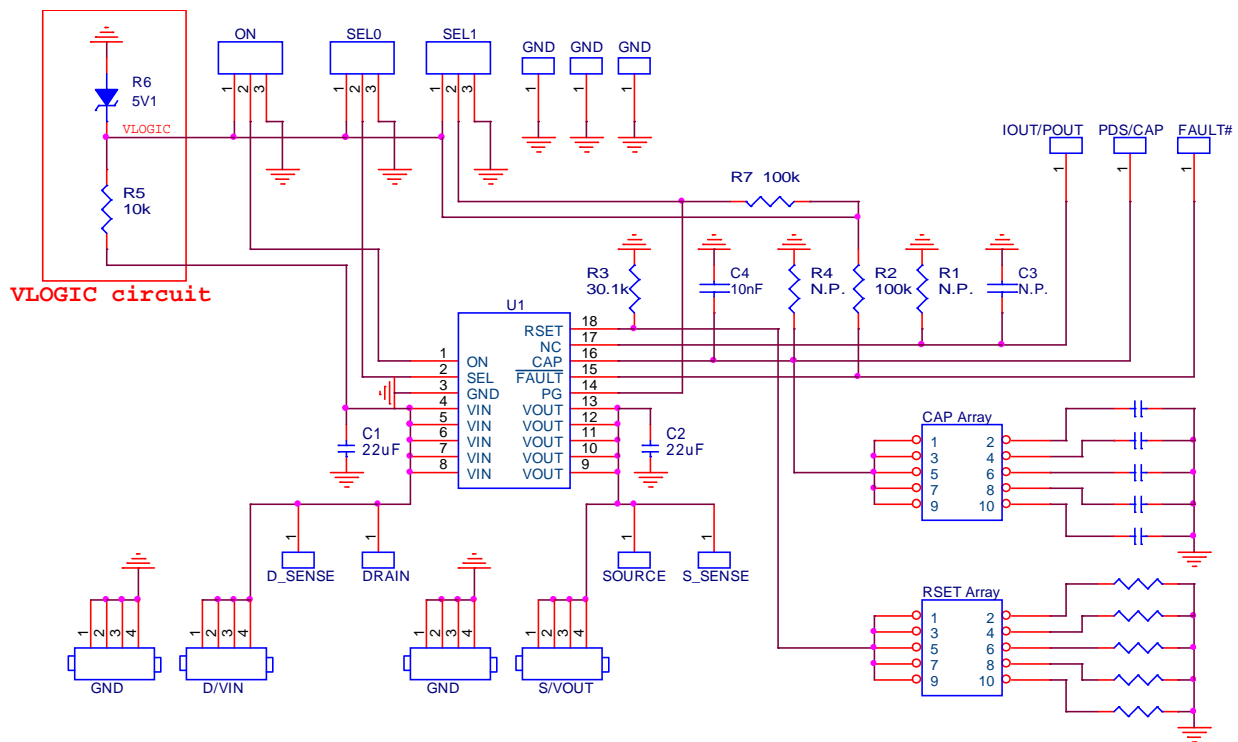


Figure 20. SLG59H1127V Evaluation Board Connection Circuit

Basic Test Setup and Connections

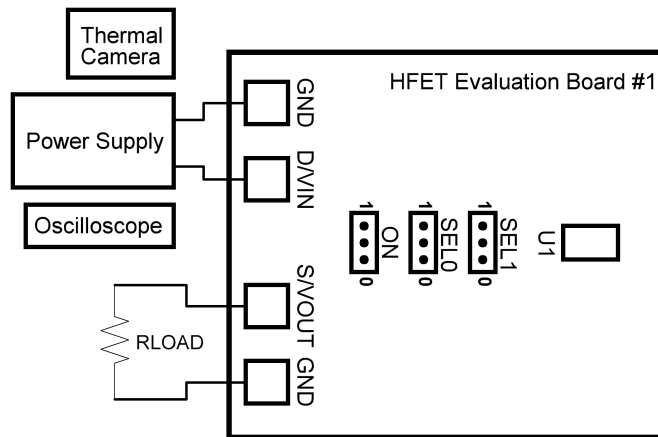


Figure 21. SLG59H1127V Evaluation Board Connection Circuit

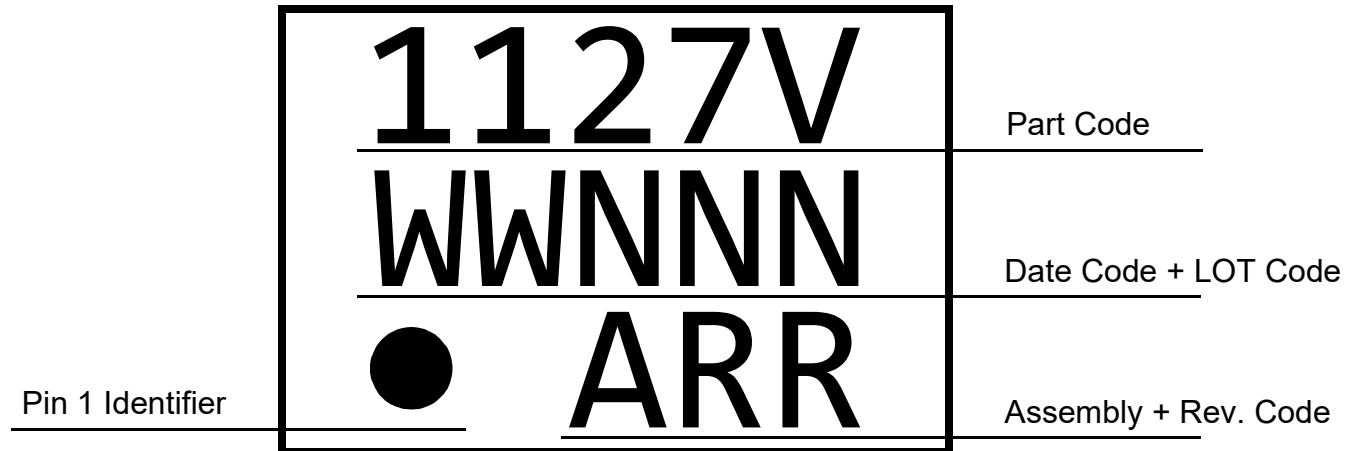
EVb Configuration

1. Set SEL0 to GND to configure OVLO;
2. Connect oscilloscope probes to D/VIN, S/VOUT, ON, etc.;
3. Turn on Power Supply and set desired V_{IN} from 4.5 V...12 V range;
4. Toggle the ON signal High or Low to observe SLG59H1127V operation.
5. Use central SEL1 header pin for PG monitor.

SLG59H1127V

A 12 V, 15 mΩ, 4 A Load Switch
with V_{IN} Lockout Select and Power Good Output

Package Top Marking System Definition



1127V - Part ID Field
 WW - Date Code Field¹
 NNN - Lot Traceability Code Field¹
 A - Assembly Site Code Field²
 RR - Part Revision Code Field²

Note 1: Each character in code field can be alphanumeric A-Z and 0-9

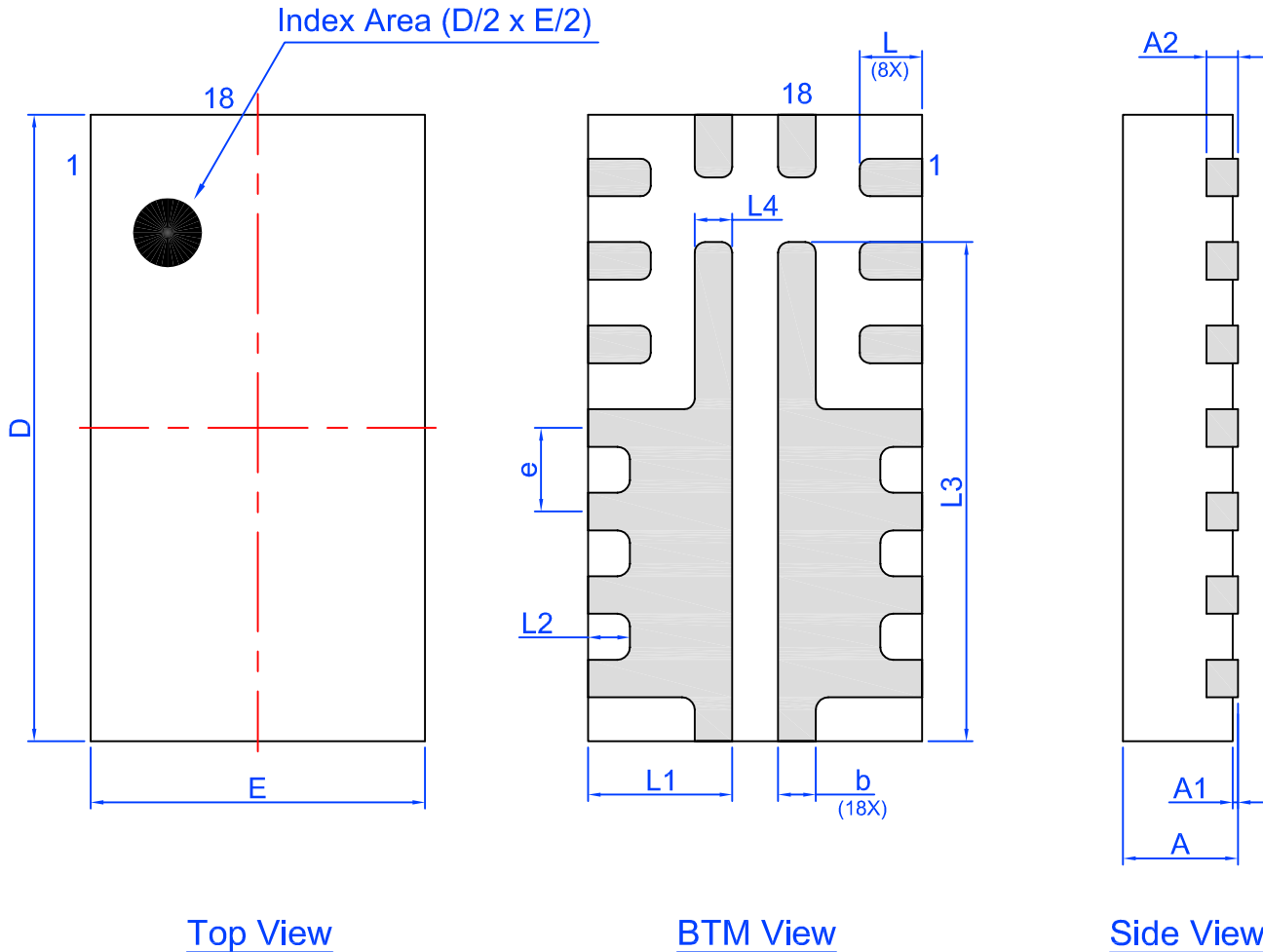
Note 2: Character in code field can be alphabetic A-Z

SLG59H1127V

A 12 V, 15 mΩ, 4 A Load Switch
with V_{IN} Lockout Select and Power Good Output

Package Drawing and Dimensions

18 Lead TQFN Package 1.6 x 3 mm (Fused Lead)
JEDEC MO-220, Variation WCEE



Unit: mm

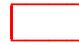
Symbol	Min	Nom.	Max	Symbol	Min	Nom.	Max
A	0.50	0.55	0.60	D	2.95	3.00	3.05
A1	0.005	-	0.05	E	1.55	1.60	1.65
A2	0.10	0.15	0.20	L	0.25	0.30	0.35
b	0.13	0.18	0.23	L1	0.64	0.69	0.74
e	0.40 BSC			L2	0.15	0.20	0.25
L3	2.34	2.39	2.44	L4	0.13	0.18	0.23

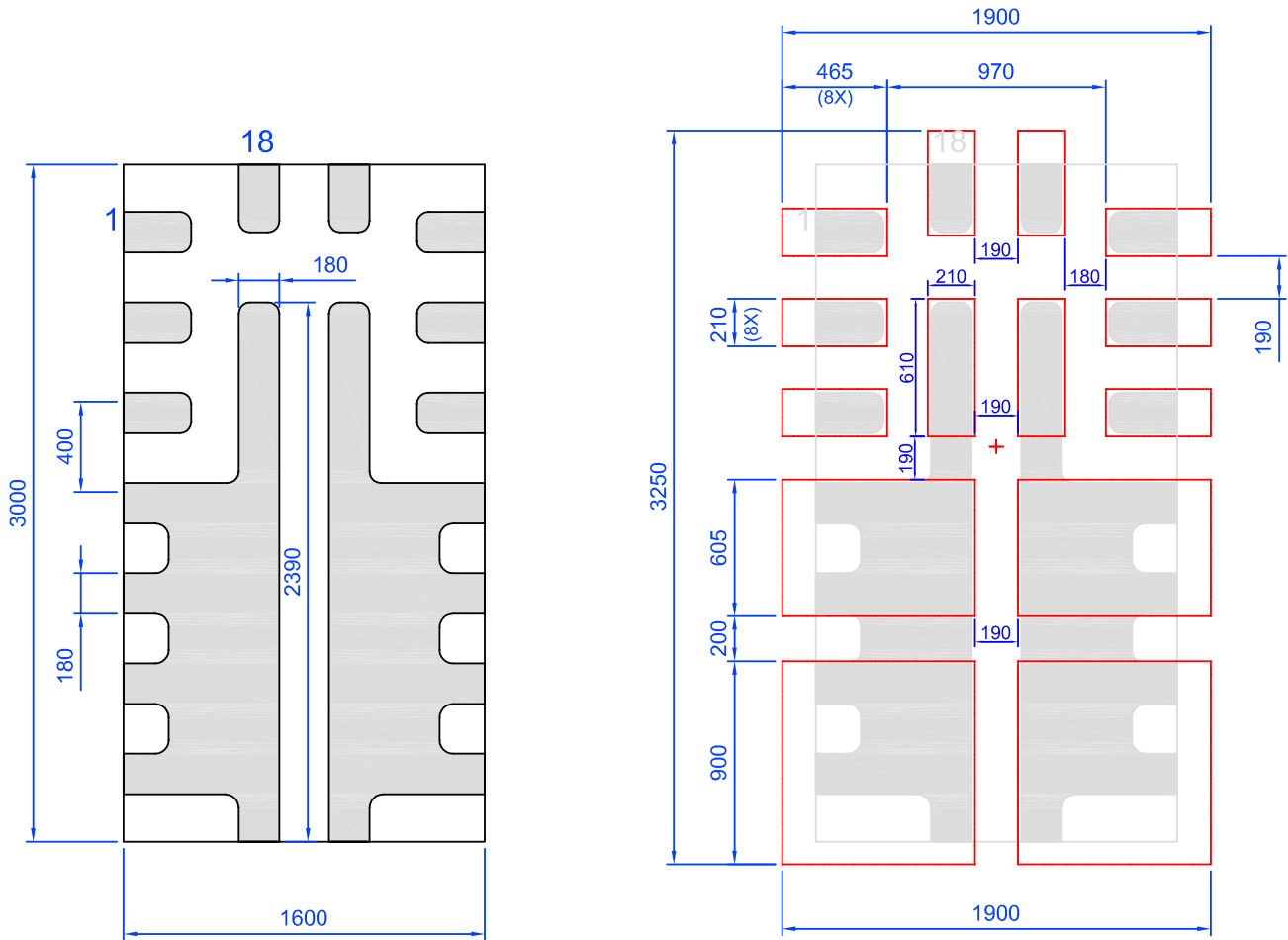
SLG59H1127V

A 12 V, 15 mΩ, 4 A Load Switch
with V_{IN} Lockout Select and Power Good Output

SLG59H1127V 18-pin STQFN PCB Landing Pattern

 Exposed Pad
(PKG face down)

 Recommended Land Pattern
(PKG face down)



Note: All dimensions shown in micrometers (μm)

SLG59H1127V

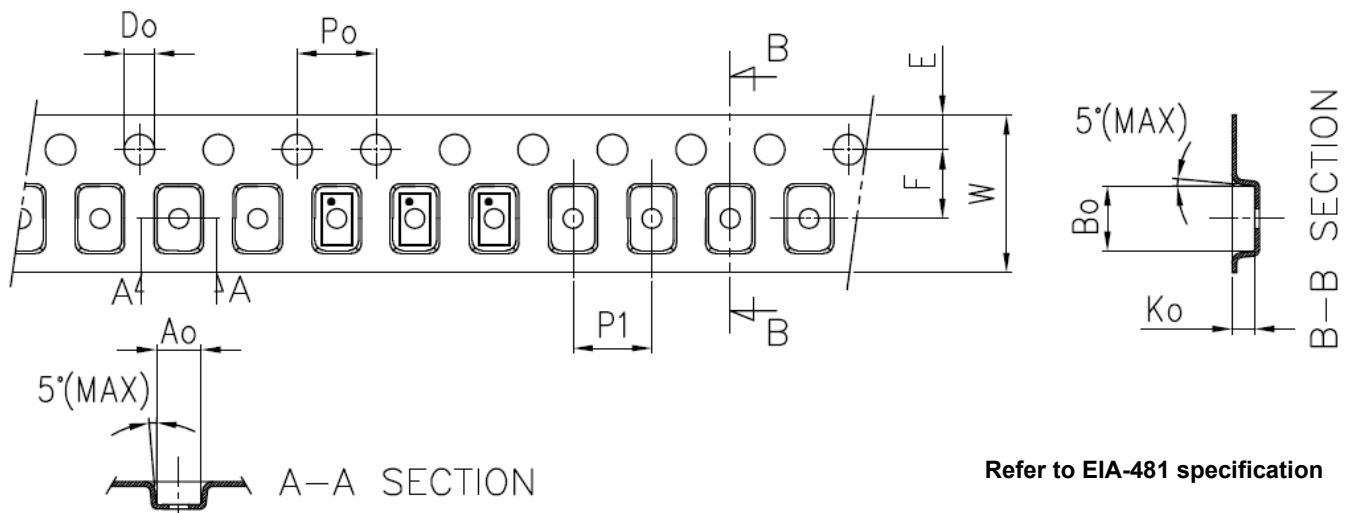
A 12 V, 15 mΩ, 4 A Load Switch
with V_{IN} Lockout Select and Power Good Output

Tape and Reel Specifications

Package Type	# of Pins	Nominal Package Size [mm]	Max Units		Reel & Hub Size [mm]	Leader (min)		Trailer (min)		Tape Width [mm]	Part Pitch [mm]
			per Reel	per Box		Pockets	Length [mm]	Pockets	Length [mm]		
STQFN 18L 0.4P FC Green	18	1.6 x 3 x 0.55	3,000	3,000	178 / 60	100	400	100	400	8	4

Carrier Tape Drawing and Dimensions

Package Type	Pocket BTM Length	Pocket BTM Width	Pocket Depth	Index Hole Pitch	Pocket Pitch	Index Hole Diameter	Index Hole to Tape Edge	Index Hole to Pocket Center	Tape Width
	A0	B0	K0	P0	P1	D0	E	F	W
STQFN 18L 0.4P FC Green	1.78	3.18	0.76	4	4	1.5	1.75	3.5	8



Recommended Reflow Soldering Profile

Please see IPC/JEDEC J-STD-020: latest revision for reflow profile based on package volume of 2.64 mm³ (nominal). More information can be found at www.jedec.org.

SLG59H1127V

A 12 V, 15 mΩ, 4 A Load Switch
with V_{IN} Lockout Select and Power Good Output

Revision History

Date	Version	Change
2/2/2022	1.03	Updated Company name and logo Added SOA Protection Threshold to Features Fixed typos Updated EVB image
12/12/2018	1.02	Updated style and formatting Updated Charts and Scopeshots Fixed typos
1/16/2018	1.01	Updated RDS_{ON} vs V_{IN} and Temp Chart
2/24/2017	1.00	Production Release

IMPORTANT NOTICE AND DISCLAIMER

RENESAS ELECTRONICS CORPORATION AND ITS SUBSIDIARIES (“RENESAS”) PROVIDES TECHNICAL SPECIFICATIONS AND RELIABILITY DATA (INCLUDING DATASHEETS), DESIGN RESOURCES (INCLUDING REFERENCE DESIGNS), APPLICATION OR OTHER DESIGN ADVICE, WEB TOOLS, SAFETY INFORMATION, AND OTHER RESOURCES “AS IS” AND WITH ALL FAULTS, AND DISCLAIMS ALL WARRANTIES, EXPRESS OR IMPLIED, INCLUDING, WITHOUT LIMITATION, ANY IMPLIED WARRANTIES OF MERCHANTABILITY, FITNESS FOR A PARTICULAR PURPOSE, OR NON-INFRINGEMENT OF THIRD-PARTY INTELLECTUAL PROPERTY RIGHTS.

These resources are intended for developers who are designing with Renesas products. You are solely responsible for (1) selecting the appropriate products for your application, (2) designing, validating, and testing your application, and (3) ensuring your application meets applicable standards, and any other safety, security, or other requirements. These resources are subject to change without notice. Renesas grants you permission to use these resources only to develop an application that uses Renesas products. Other reproduction or use of these resources is strictly prohibited. No license is granted to any other Renesas intellectual property or to any third-party intellectual property. Renesas disclaims responsibility for, and you will fully indemnify Renesas and its representatives against, any claims, damages, costs, losses, or liabilities arising from your use of these resources. Renesas' products are provided only subject to Renesas' Terms and Conditions of Sale or other applicable terms agreed to in writing. No use of any Renesas resources expands or otherwise alters any applicable warranties or warranty disclaimers for these products.

(Disclaimer Rev.1.01 Jan 2024)

Corporate Headquarters

TOYOSU FORESIA, 3-2-24 Toyosu,
Koto-ku, Tokyo 135-0061, Japan
www.renesas.com

Trademarks

Renesas and the Renesas logo are trademarks of Renesas Electronics Corporation. All trademarks and registered trademarks are the property of their respective owners.

Contact Information

For further information on a product, technology, the most up-to-date version of a document, or your nearest sales office, please visit www.renesas.com/contact-us/.