

## Description

IDT's SMOD711 is a complete smart sensing solution for flammable gases in atmospheres. The module, consisting of the SMOD smart sensing platform combined with IDT's SGAS711 flammable gas sensor, provides an indication of flammable gas measured both as a resistance and as a linear response proportional to a methane calibration. The SMOD711 communicates with an external controller or a data logger via a USB interface and can be supplied with an I<sup>2</sup>C or UART interface by special order.

Figure 1. SMOD711 Smart Sensing Module



## Features

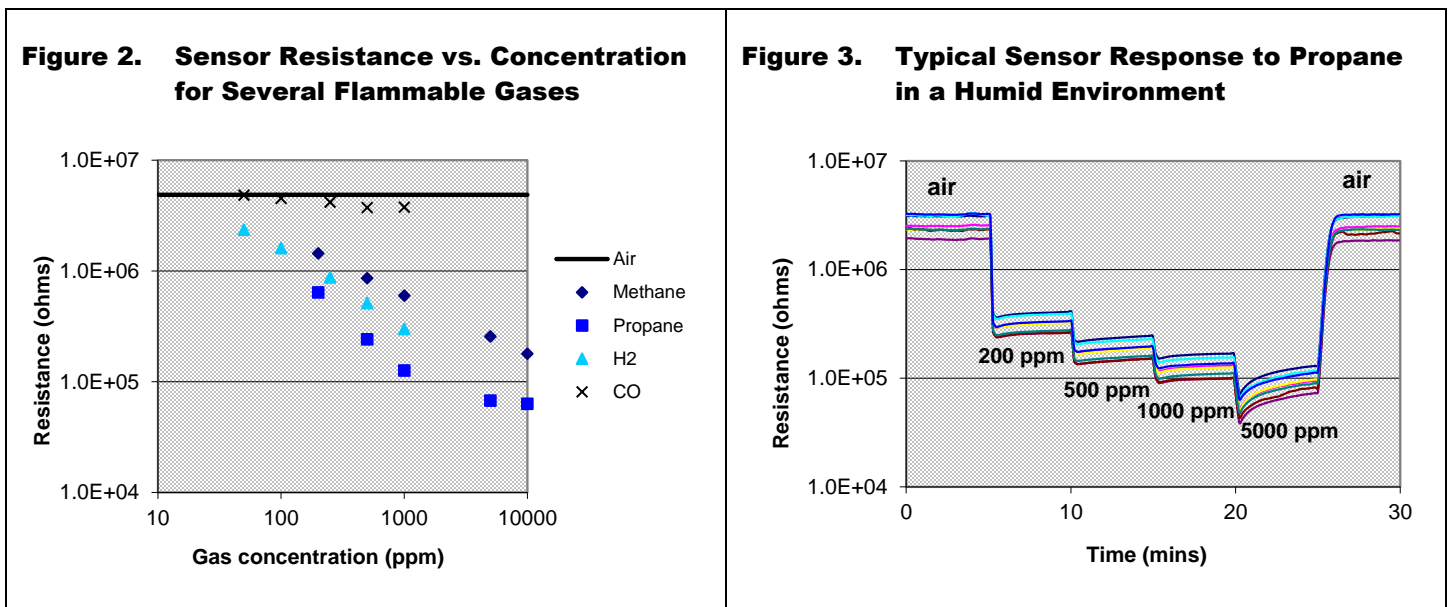
- High sensitivity to a wide range of flammable gases
- Sensor operating parameters can be tailored to specific flammable gas measurement applications
- Targeted toward OEM system integration and peripheral device applications

## Typical Applications

- Leak detection
- Solvent detection in manufacturing environments

## Typical Module Response

Figure 2 and Figure 3 show the typical response of the SMOD711 module when detecting flammable and non-flammable gas in air.



## Absolute Maximum Ratings

Stresses above the ratings listed below can cause permanent damage to the SMOD711. These ratings, which are standard values for IDT commercially rated parts, are stress ratings only. Functional operation of the device at these or any other conditions above those indicated in the operational sections of the specifications is not implied. Exposure to absolute maximum rating conditions for extended periods can affect product reliability. Electrical parameters are guaranteed only over the recommended operating temperature range.

**Table 1. SMOD711 Absolute Maximum Ratings**

Symbol	Parameter	Conditions	Minimum	Maximum	Units
$V_{IN}$	Supply Voltage (referenced to ground)			12	V
	Digital Inputs and Output Voltage Level		-0.5	3.8	V
	Electrostatic Discharge (MIL-STD-883)		2000		V
$T_{AMB}$	Ambient Operating Temperature		0	50	°C
$T_{STOR}$	Storage Temperature		-65	150	°C

## Recommended Operating Conditions

**Table 2. Recommended Operating Conditions**

Symbol	Parameter	Minimum	Typical	Maximum	Units
$V_{IN}$	Supply Voltage (referenced to ground)		9		V
$T_{AMB}$	Ambient Operating Temperature	0		50	°C
RH	Ambient Relative Humidity – Non-condensing	0		95	%

## DC Electrical Characteristics

**Table 3. DC Electrical Characteristics**

Symbol	Parameter	Conditions	Minimum	Typical	Maximum	Units
$V_{IN}$	Input Voltage		8.0	9	12	V
$V_{IN,RIPPLE}$	Input Voltage Ripple	$I_{HTR} = 114\text{mA}$			100	mV <sub>PP</sub>
$I_{IN}$	Input Supply Current	$I_{HTR} = 114\text{mA}$		140	150	mA
$V_{HTR}$	Heater Drive Voltage			7.0	7.5	V
$I_{HTR}$	Heater Drive Current			128	135	mA
$V_{SEN}$	Sensor Drive Voltage				3.0	V

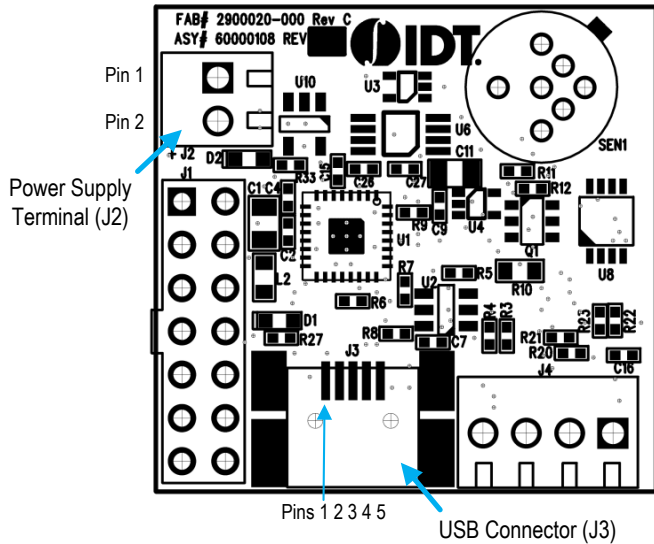
## Interface Characteristics

The SMOD711 utilizes a USB communication interface that conforms to the USB 2.0 standard.

## Connector Assignments

Refer to Figure 4 for the location of the connectors described in the following tables.

**Figure 4. Connector Locations on the SMOD711**



**Table 3. Pin Assignments: 2-Post Screw Terminal for Input Power (J2)**

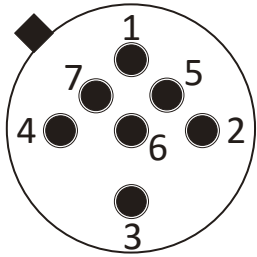
Pin Number	Description
1	Power ground
2	V <sub>IN</sub>

**Table 4. Pin Assignments: Mini-B Connector for USB Communications (J3)**

Pin Number	Description
1	VBUS
2	D+
3	D-
4	No connection
5	USB ground

The SGAS711 flammable gas sensor is housed in a TO-39 package. Figure 5 shows the combined TO-39/46 sensor socket (SEN1) on the module. The SGAS711 sensor utilizes pins 1, 2, 3, and 4 (pins 5, 6, and 7 are unused). Table 5 provides the definitions of the pins.

**Figure 5. Top View SEN1 Sensor Socket**



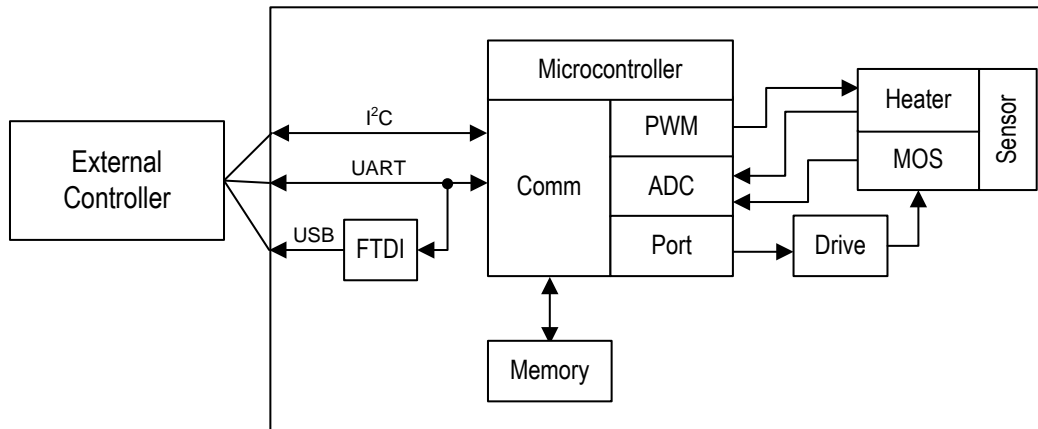
**Table 5. Pin Assignments: TO-39 Sensor Socket for SGAS711 (SEN1)**

Pin Number	Name	Description
1	Heater +	Positive input for $V_H$ heater voltage supply
2	Sensor +	High-side of resistive sensor element; positive input for sensing voltage $V_C$
3	Heater –	Negative (ground) input for $V_H$ heater voltage supply
4	Sensor –	Low-side of resistive sensor element; connects to middle of resistor divider circuit to produce sensing voltage output ( $V_{OUT}$ )

## Principles of Operation

The SMOD711 module consists of a combination of the SMOD smart sensing platform and a SGAS711 flammable gas sensor. The SMOD smart sensing platform is a general purpose microcontrolled device with a broad array of capabilities that can be applied in gas sensing applications. As in other SMOD7xx devices, the SMOD711 selects a subset of measurement and control capabilities from a larger set and adds application-specific settings/capability, such as default sensor operation parameters, and calibration and analysis algorithms appropriate for the gas sensor utilized in the module.

**Figure 6. SMOD711 Block Diagram**



## Power Requirements

The SMOD711 utilizes an SGAS711 ceramic sensor that requires a nominal heater drive of 7.0V at 128mA. The input power to the module must be sourced from an external power supply connected to J2. This power supply must be capable of providing a minimum of 8.0VDC at 150mA to the module.

External commands (described below) support operation of the sensor heater at voltages other than 7.0V. Power supplied to the module does not require regulation, but the supply should have a ripple of less than 0.1V<sub>PP</sub> under load.

## External Communication

The SMOD711 communicates with external devices via a USB connection at J3 (Mini-B connector). The SMOD711 conforms to the USB 2.0 specification (full speed). The communication protocol used for sending commands to and receiving responses from the SMOD711 is described in the “Communication Protocol” section.

## Sensor Operating Conditions

The SMOD711 operates the SGAS711 sensor in isothermal mode at a constant heater voltage defaulting to 7.0V. This corresponds to a nominal heater current of 128mA and a heater power of approximately 900mW. The heater voltage is regulated via a feedback measurement so that the voltage set-point is maintained under changing environmental conditions. The heater voltage set-point can be altered via the **HVw** command described in the “Command Summary” section.

Sensor measurements are performed by default once every second; this rate can be changed to any value between 1 and 60 seconds using the **PDw** command.

## Communication Protocol

The external communication protocol is a mixed ASCII-binary protocol designed to work within paradigms associated with I<sup>2</sup>C, with the intent that both SMOD7xx firmware and external communication software be as similar as possible across I<sup>2</sup>C, UART, and USB based modules. All communication initiates from the external device, with the exception of the *data ready* signal that is preemptively sent from the module to the external device when module-generated data is available for fetching by the external device. All commands to the module are responded to with a sequence consisting of a 1-byte *count* followed by 2 or more bytes as specified by *count*. The first two bytes after *count* are an unsigned 16-bit status word containing values as specified in Table 6. Command responses might contain additional information depending upon the specific command received by the module.

For USB-based modules, the data ready signal consists of the transmission of the three-character ASCII sequence INT. The external device is responsible for monitoring USB transmissions for this sequence and responding appropriately with the **GD** (get data) command.

Commands to the module are delimited by a colon (:) at the start of the request and a semicolon (;) at the end. Commands consist of a two or three letter command identifier, followed by zero or more space-separated numeric parameters. Numbers may contain a decimal point, but individual commands might interpret floating point inputs as integers and vice versa. Exponential formats are not allowed. Most commands are constructed using a two-letter acronym for the command plus an appended *w* (for write) or *r* (for read). For example, the command to write the heater voltage is **:HCw**; while the command to read the heater voltage is **:HCr**.

A LabVIEW®-based<sup>1</sup> application and associated interface drivers are available as an example to aid in implementation of communication between the SMOD711 and external devices.

**Table 6. Status Return Values**

Status	Meaning
0	SUCCESS
1	ERROR_INIT
2	ERROR_WR_EEPROM
3	ERROR_FTDI_NOT_READY
4	ERROR_WR_BUF_OVL
5	ERROR_INVALID_SIGN
6	ERROR_INVALID_CMD
7	ERROR_PARAM_OUT_OF_RANGE
8	ERROR_PARAM_ORDER
9	ERROR_NO_PERIOD_SET
10	ERROR_NO_ADC_POINTS_SET
11	ERROR_NUMBER_OF_PARAMS
12	ERROR_STEP_MISMATCH
13	RETURN_VALUE
14	ERROR_CONFIG
15	NOT_INDEPENDENT
16	ERROR_WRONG_PASSWORD
17	ERROR_CMD_NOT_ALLOWED

<sup>1</sup> LabVIEW® is a trademark of National Instruments Corporation.

Status	Meaning
18	INDEPENDENT
19	ERROR_FLASH_CLK
255	RESTART_REQUIRED

## Command Summary

Six commands are available to control the SMOD711:

- :CPw {p1}{p2};** Writes the calibration parameters used in converting resistance to linear sensor response. **p1** and **p2** are supplied by the factory on a sensor-by-sensor basis. Response is **{byteCount}{status}**.
- :HVw {voltage};** Writes the voltage at which the heater is to be driven. The voltage is specified in millivolts; i.e. a voltage value of 3000 would set the heater voltage to 3.000V. The response is **{byteCount}{status}**.
- :HvR;** Reads the heater voltage set point in the SMOD711. The response is **{byteCount}{status}{voltage}**, where the voltage is specified in deciseconds.
- :PDw {period};** Writes the periodic rate at which data is reported from the SMOD711. The period is specified in deciseconds; i.e., a period value of 20 would set a 2-second period. The response is **{byteCount}{status}**.
- :PDr;** Reads the periodic rate setting in the SMOD711. The response is **{byteCount}{status}{period}**, where the period is specified in deciseconds.
- :GD;** Instructs the module to return the last data set, consisting of values as shown in Table 7.

**Table 7. Data Message Format**

Offset in Response	Data Type	Contents
0	Unsigned 8-bit integer	byteCount
1	Unsigned 16-bit integer	Status
3	Unsigned 8-bit integer	Data set identifier ('d')
4	Unsigned 8-bit integer	Data set identifier ('2')
5	Unsigned 16-bit integer	Sequence count (starts from zero at power-up and increments with each data point collected)
7	Unsigned 8-bit integer	Heater control method (0 = voltage, 1 = resistance, 2 = power, 255 = current)
8	Unsigned 16-bit integer	Heater value (voltage in mV)
10	Unsigned 32-bit integer	Sensor resistance (ohms)
14	Unsigned 8-bit integer	Sequence (high nibble = total steps in sequence; low nibble = active step)
15	Unsigned 16-bit integer	Analysis result (linear response proportional to ppm of flammable gas)

## Sensor Replacement

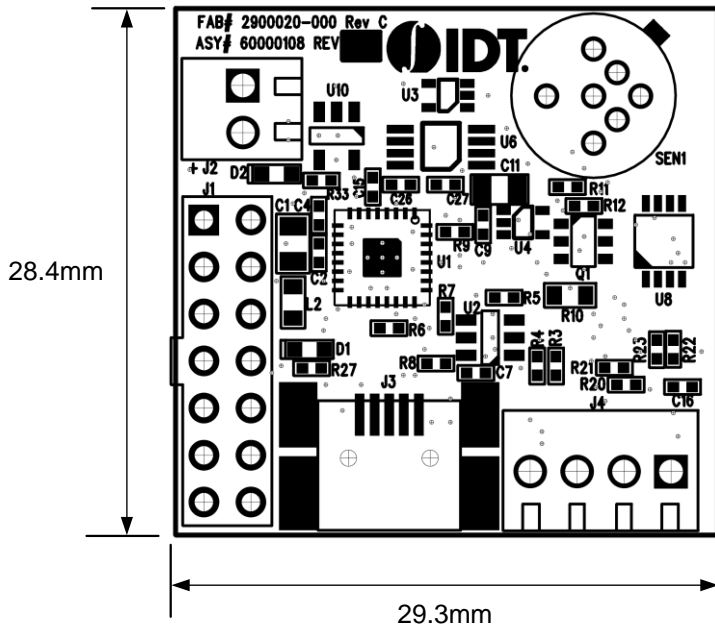


**Important Safety Warning:** Power should be removed from the board during any sensor replacement operation. Sensor heaters are subject to damage if inserted while being driven by heater current, and sensor packages at operating temperatures might be hot to the touch. Always use caution when handling sensors.

Removing the sensor on the SMOD711 is accomplished by gripping the sensor on each side and then pulling gently straight up from the module. To insert a sensor, align the sensor tab with the silkscreen indicator and then gently push the sensor pins into the socket.

## Package Drawing

**Figure 7. Package Outline Drawing and Dimensions**



## Ordering Information

Orderable Part Number	Description	Package	Shipping Packaging	Temperature
SMOD711	SMOD711 Flammable Gas Sensor Module with USB Interface	Module	Box	0°C to 50°C



## Revision History

Revision Date	Description of Change
August 9, 2017	Initial release.

## IMPORTANT NOTICE AND DISCLAIMER

RENESAS ELECTRONICS CORPORATION AND ITS SUBSIDIARIES (“RENESAS”) PROVIDES TECHNICAL SPECIFICATIONS AND RELIABILITY DATA (INCLUDING DATASHEETS), DESIGN RESOURCES (INCLUDING REFERENCE DESIGNS), APPLICATION OR OTHER DESIGN ADVICE, WEB TOOLS, SAFETY INFORMATION, AND OTHER RESOURCES “AS IS” AND WITH ALL FAULTS, AND DISCLAIMS ALL WARRANTIES, EXPRESS OR IMPLIED, INCLUDING, WITHOUT LIMITATION, ANY IMPLIED WARRANTIES OF MERCHANTABILITY, FITNESS FOR A PARTICULAR PURPOSE, OR NON-INFRINGEMENT OF THIRD-PARTY INTELLECTUAL PROPERTY RIGHTS.

These resources are intended for developers who are designing with Renesas products. You are solely responsible for (1) selecting the appropriate products for your application, (2) designing, validating, and testing your application, and (3) ensuring your application meets applicable standards, and any other safety, security, or other requirements. These resources are subject to change without notice. Renesas grants you permission to use these resources only to develop an application that uses Renesas products. Other reproduction or use of these resources is strictly prohibited. No license is granted to any other Renesas intellectual property or to any third-party intellectual property. Renesas disclaims responsibility for, and you will fully indemnify Renesas and its representatives against, any claims, damages, costs, losses, or liabilities arising from your use of these resources. Renesas' products are provided only subject to Renesas' Terms and Conditions of Sale or other applicable terms agreed to in writing. No use of any Renesas resources expands or otherwise alters any applicable warranties or warranty disclaimers for these products.

(Disclaimer Rev.1.01)

### Corporate Headquarters

TOYOSU FORESIA, 3-2-24 Toyosu,  
Koto-ku, Tokyo 135-0061, Japan  
[www.renesas.com](http://www.renesas.com)

### Trademarks

Renesas and the Renesas logo are trademarks of Renesas Electronics Corporation. All trademarks and registered trademarks are the property of their respective owners.

### Contact Information

For further information on a product, technology, the most up-to-date version of a document, or your nearest sales office, please visit [www.renesas.com/contact-us/](http://www.renesas.com/contact-us/).