



Product part number: SLG46200

Active SLG46200 Errata List

1. Long delay time

Lot number: C839002FYY

If Delay1 or Delay2 is configured for time values above 100 – 400 ms (depending on process variations), a delayed output edge will be earlier than expected. Delay 0 is not affected by this issue.

Workaround:

Do not use delay times that are above 100 ms.
Or use the counter instead.

2. ADC PGA 0.5X gain accuracy

Lot numbers: C839002FYY
C839003FXX
C839004FXX

According to the datasheet and specifications ADC PGA has 0.5X gain. However, tested silicon has a measured value of 0.47X.

Workaround:

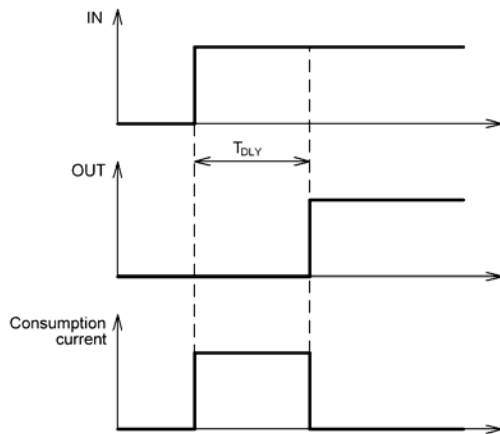
Use more accurate external voltage dividers.
If the ADC is used with DCMPs, error can be compensated by adjusting the DCMP register numbers.



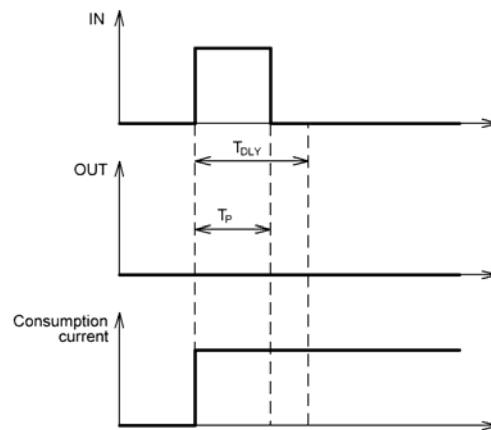
3. Delay blocks current consumption halt

Lot numbers: C839002FYY
C839003FXX
C839004FXX

Normal Delay block (rising edge) functionality



Incorrect Delay block (rising edge) functionality



If the delay input pulse duration is less than the delay time (other blocks do not use internal RC oscillator), the output will be correct but the power consumption will stay high. This is due to the delay block that starts RC OSC work after detecting a corresponding edge and then shuts it down after the delay time has passed. If the input signal duration (T_P) is less than the delay time (T_{DLY}), then the RC OSC won't shut down (delay cell will not give the RC OSC shut down signal internally) and the power consumption will go on. If any other delay cell or other block that uses OSC gives a shut-down signal then current consumption will stop.

Workaround:

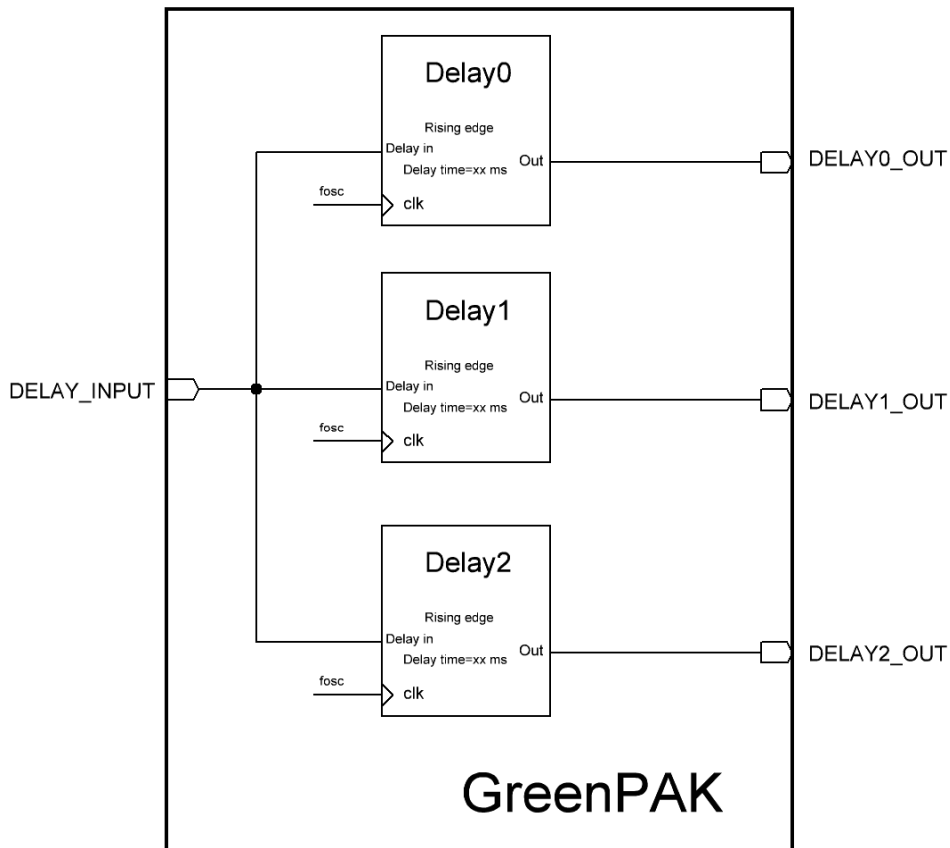
Either force the unused Counter/Delay (configured as Counter) block on and put 1 to its register. Or make special internal protection circuits which will make the delay block count to the end.



4. Delay blocks passing input signals to the output

Lot numbers: C839002FYY
C839003FXX
C839004FXX

If time between two detected edges is approximately two times less than the delay clock period, then the input signal may pass to the delay output.



As an example the rising edge delay cell test results with internal RC oscillator frequency 43kHz are shown below.

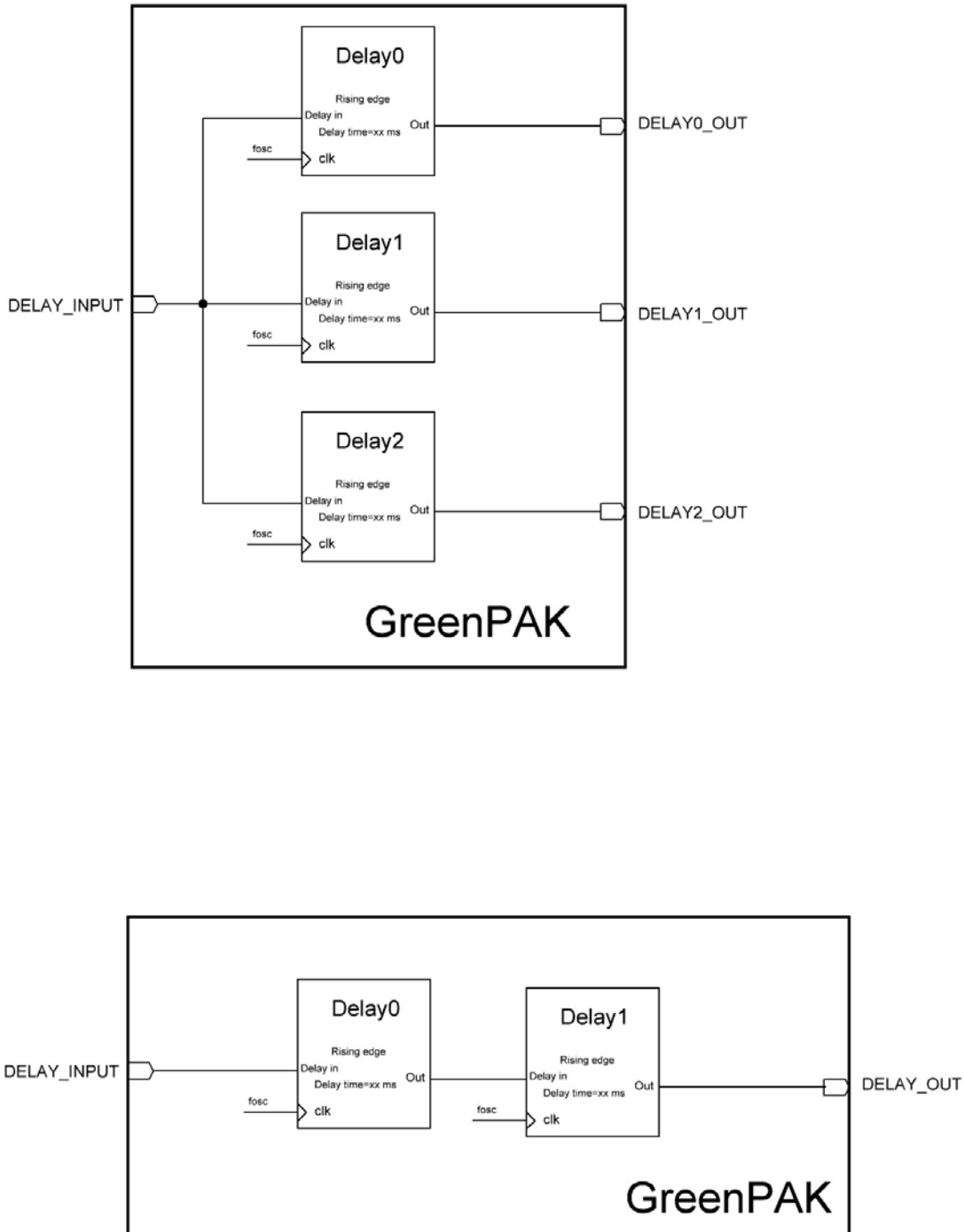


<p>ELAY_INPUT=22kHz Delays function correctly</p>	<p>DELAY_INPUT DELAY0_OUT DELAY1_OUT DELAY2_OUT</p>	<p>TDS 2014B - 16:35:42 26.05.2011</p>
<p>Delay_in=22.5kHz (The input frequency value that causes incorrect functionality of delay blocks varies from chip to chip, duty cycle and delay clock value) Delays function incorrectly</p>	<p>DELAY_INPUT DELAY0_OUT DELAY1_OUT DELAY2_OUT</p>	<p>TDS 2014B - 16:34:24 26.05.2011</p>
<p>Delay_in=23kHz Delays function correctly</p>	<p>DELAY_INPUT DELAY0_OUT DELAY1_OUT DELAY2_OUT</p>	<p>TDS 2014B - 16:36:18 26.05.2011</p>



Workaround:

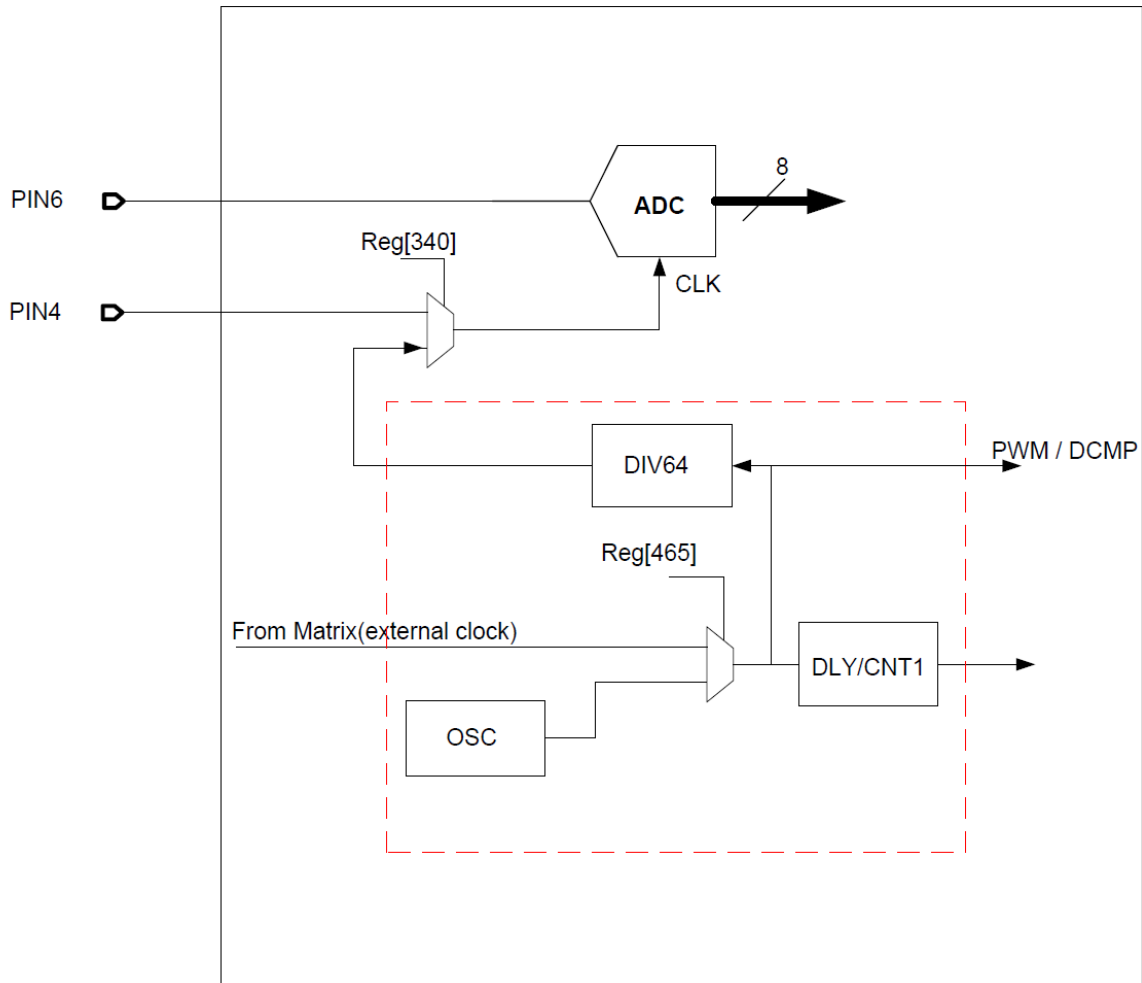
Use two Delay blocks in the series connection.





5. Analog-to-Digital Converter (ADC) using the Counter 1 clock.

Lot numbers: C839002FYY
C839003FXX
C839004FXX



The ADC uses Counter/Delay 1 clock source for sampling data. So if the Counter/Delay 1 clock is not connected, the ADC will not function at all.

Workaround:

Use the internal clock for Counter/Delay 1 for correct ADC functionality.



SILEGO

Silego Technology**Corporate Headquarters**

1715 Wyatt Drive
Santa Clara, CA 95054
USA
Phone: 408-327-8800

Silego Taiwan Office (Hsin Chu)

6F-1, Number 38, Tai Yuan Street
Tai Yuan Industrial Park, Jhubei City
Hsin Chu County, 30265, Taiwan
Phone: +886-3-560-0313

Silego Taiwan Office (Taipei)

4F Number 380 Section 1
Fuxing South Road, Daan District
Taipei, Taiwan 10656
Phone: +866-227-000-669

Silego Korea Office

#807 Seocho Trapalace 2
1327 Seocho-Dong, Seocho-Gu
Seoul, Korea 137858
Phone: +82-3453-7560 or +82-2-3453-7127

Silego China Office (Hefei)

Rm303, Building 2, No3 TianYuan Rd
High-Tech Zone
Hefei, China 230088
Phone: +86-551-5368431
Fax: +86-551-5368432

Silego Ukraine Office

Business Center Intercity-Silego
Pr. Chervonoji Kalyny,
62a, 5th Floor, Room 77
Lviv, Ukraine

Silego Technology 2011

www.silego.com

Disclaimer

Silego Technology makes no warranty for the use of its products, other than those expressly contained in the Company's standard warranty which is detailed in Silego Terms and Conditions located on Company's web site. The Company assumes no responsibility for any errors which may appear in this document, reserves the right to change device or specifications detailed herein at any time without notice, and does not make any commitment to update the information contained herein. No licenses to patents or other intellectual property of Silego are granted by the Company in connection with the sale of Silego products, expressly or by implication. Silego products are not authorized for use as critical components in life support devices or systems.