

# RENESAS POWER DISCRETE MOUNT PAD

DEC. 2024  
BL202404135

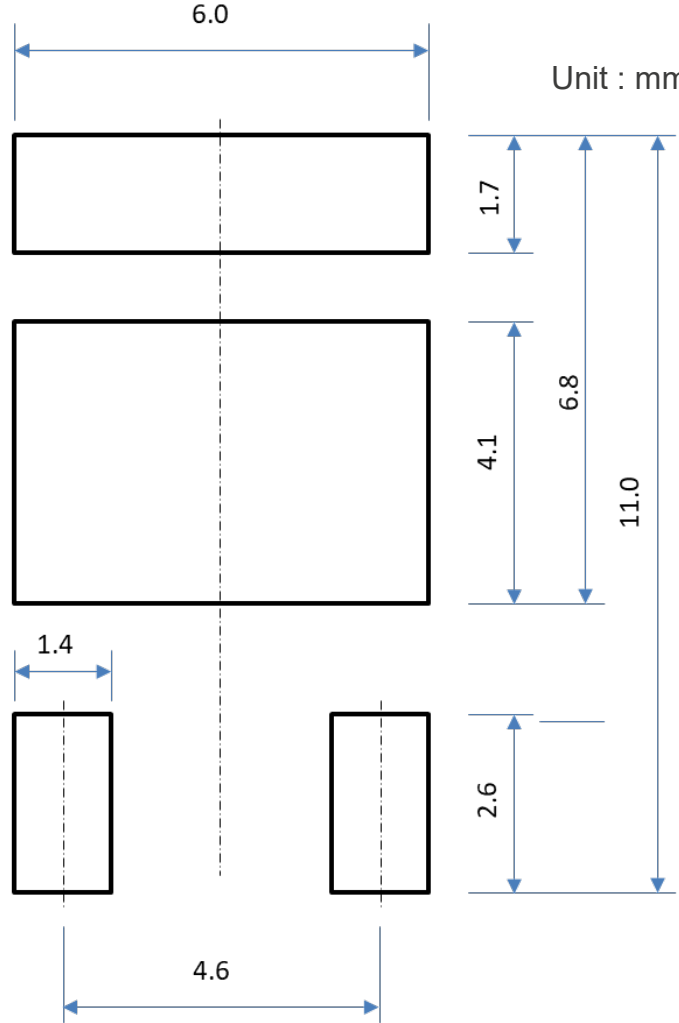
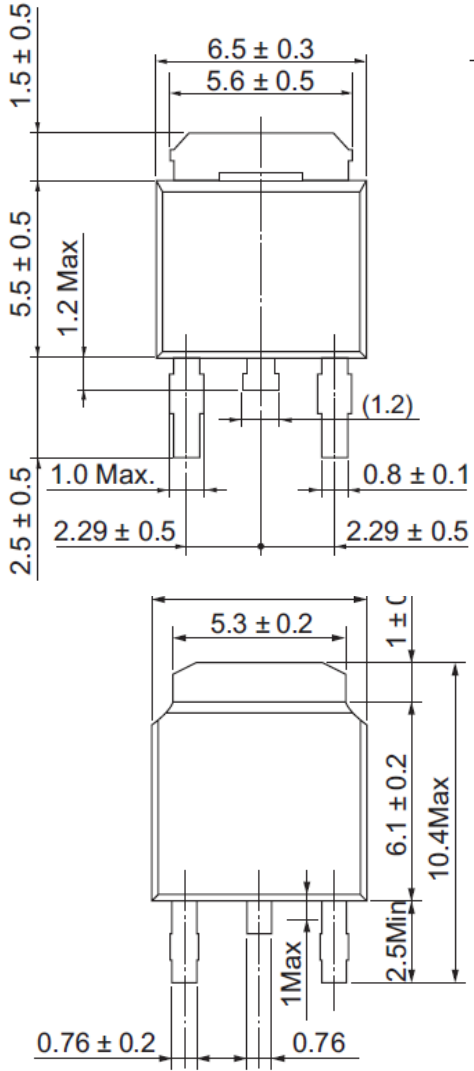
RENESAS ELECTRONICS CORPORATION

# Recommended mounting pad

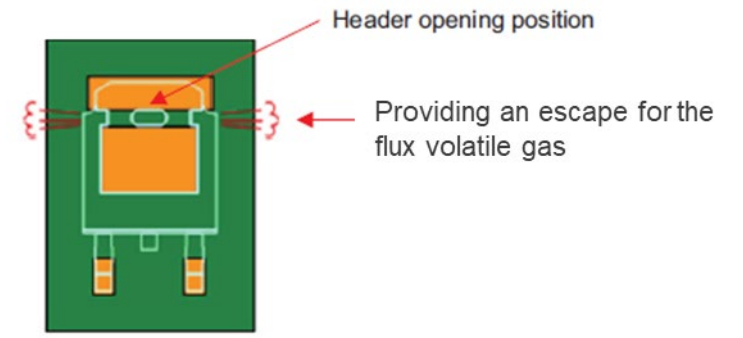
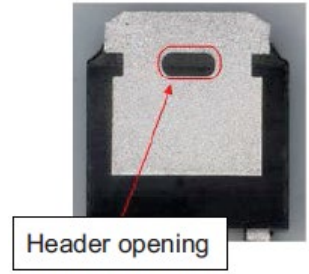
In actual board design, optimization should be made in consideration of mounting density, mountability, dimensional tolerances, and other factors.

Standard Package	Renesas Package	Package size [mm]	Page
TO-252	DPAK, MP-3A	6.6 x 10.4	<u>3</u>
TO-252	MP-3ZK,ZP	6.5 x 9.5	<u>4</u>
SON-8 5x6	HSO8	5.0 x 6.0	<u>5</u>
SON-8 3.3x3.3	HWSO8	3.3 x 3.3	<u>6</u>
TO-263/D2PAK	LDPAK(S)	10.2 x 13.0	<u>7</u>
LFP56	LFP56	4.9 x 5.25	<u>8</u>
TO-263/D2PAK	MP-25ZK,ZP	10.0 x 15.25	<u>9</u>
TO-263-7	MP-25ZT	10.0 x 14.85	<u>10</u>
TO-263-7	MP-25ZU	10.0 x 11.85	<u>11</u>
SOP-8	SOP-8	4.9 x 6.1	<u>12</u>
SON-8 5x6	WPAK	5.1 x 6.1	<u>13</u>
TOLL	TOLL	9.8 x 11.68	<u>14</u>
TOLG	TOLG	9.9 x 11.7	<u>15</u>

# DPAK(S), MP-3A Mount Pad Dimensions



Unit : mm

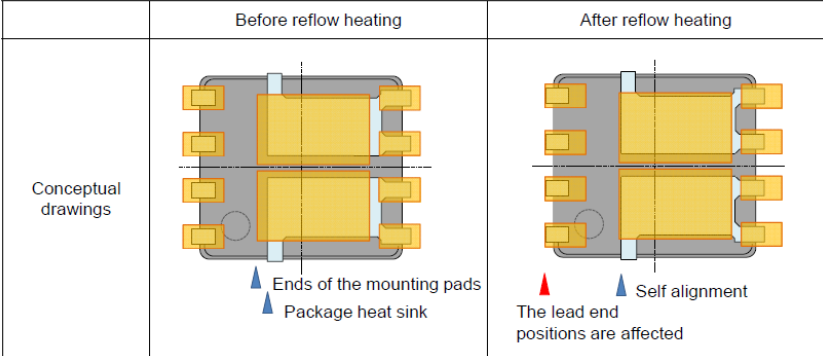
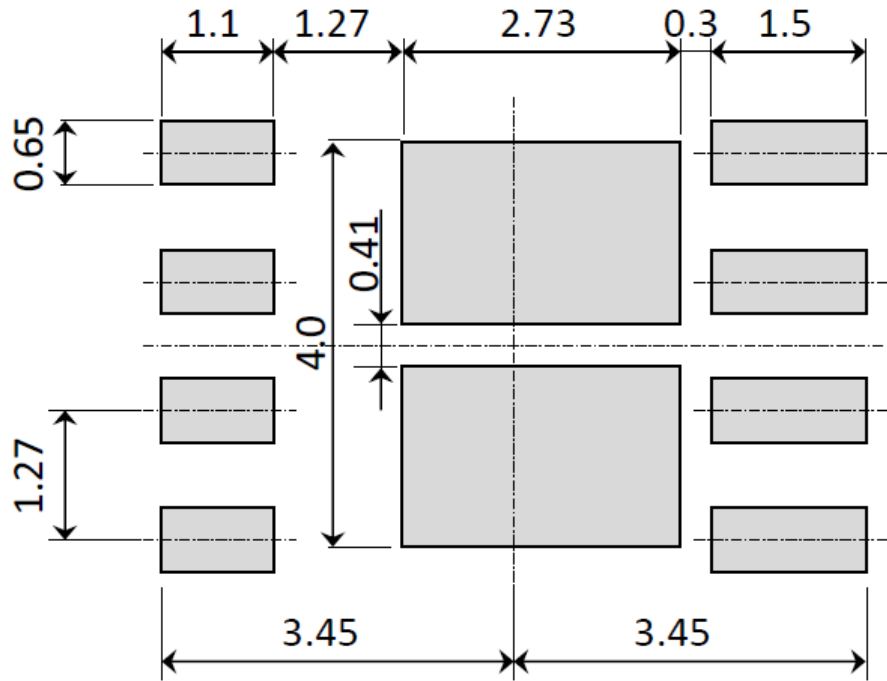
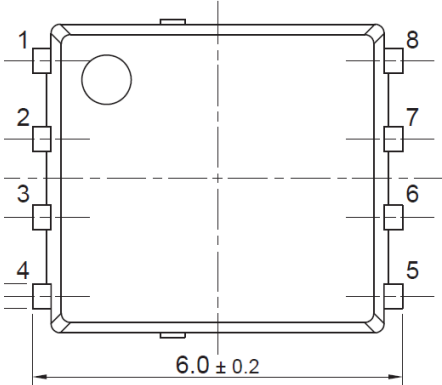




RENESAS Code
PLSN0008DA-A

**HSON**  
Mount pad dimension

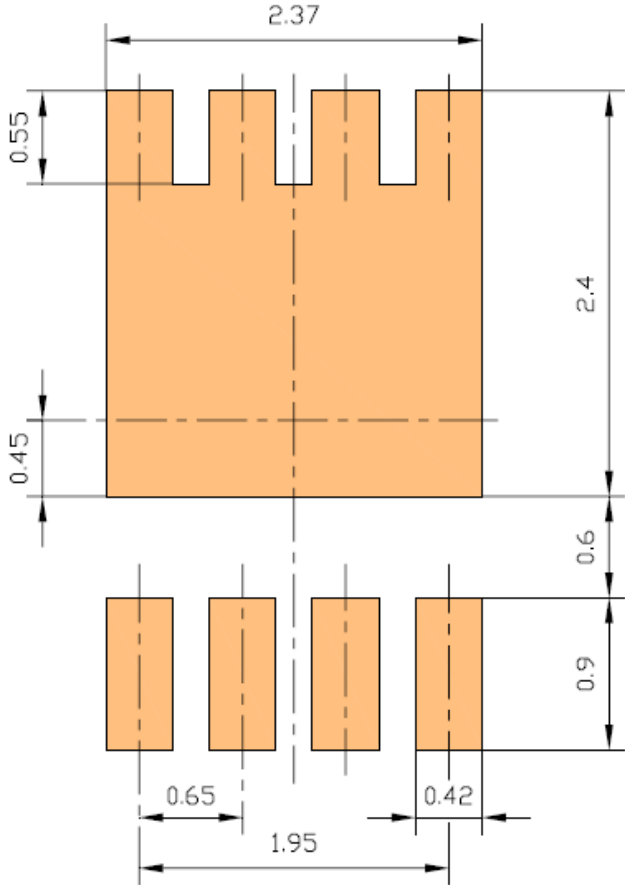
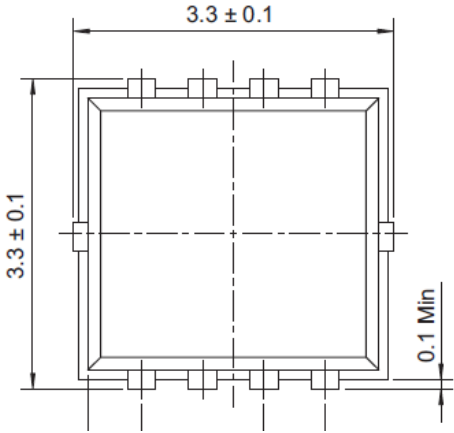
Unit : mm



RENESAS Code
PWSN0008JB-A

## HWSO-8 Mount Pad Dimensions

Unit : mm

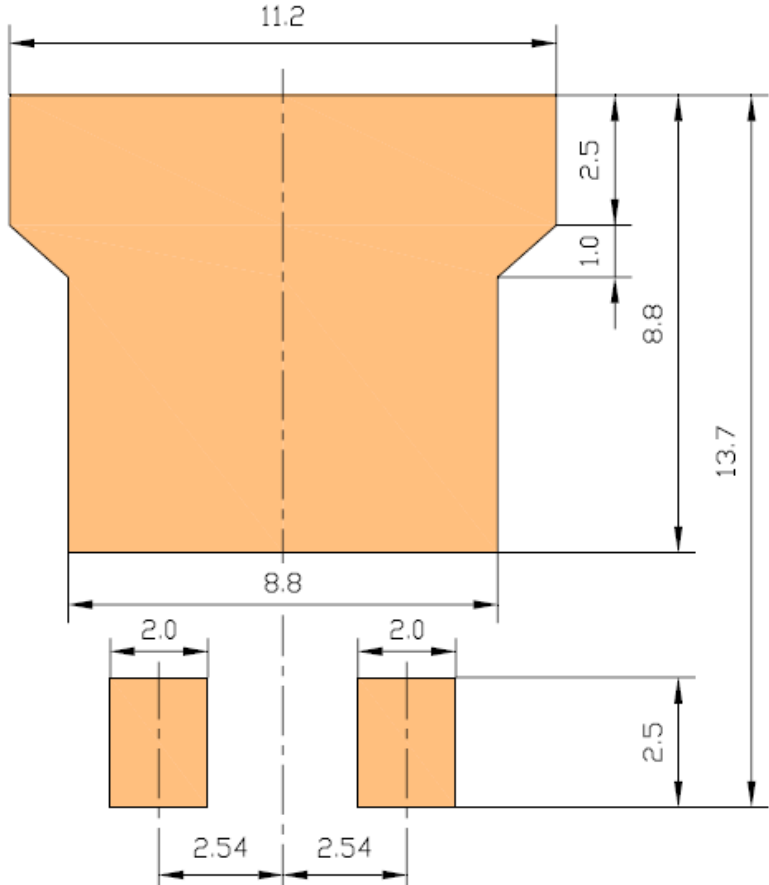
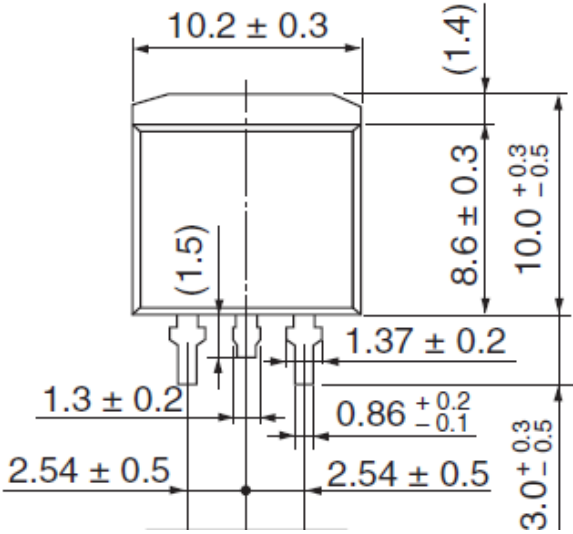


RENESAS Code
PRSS0004AE-B

# LDBAK

## Mount Pad Dimensions

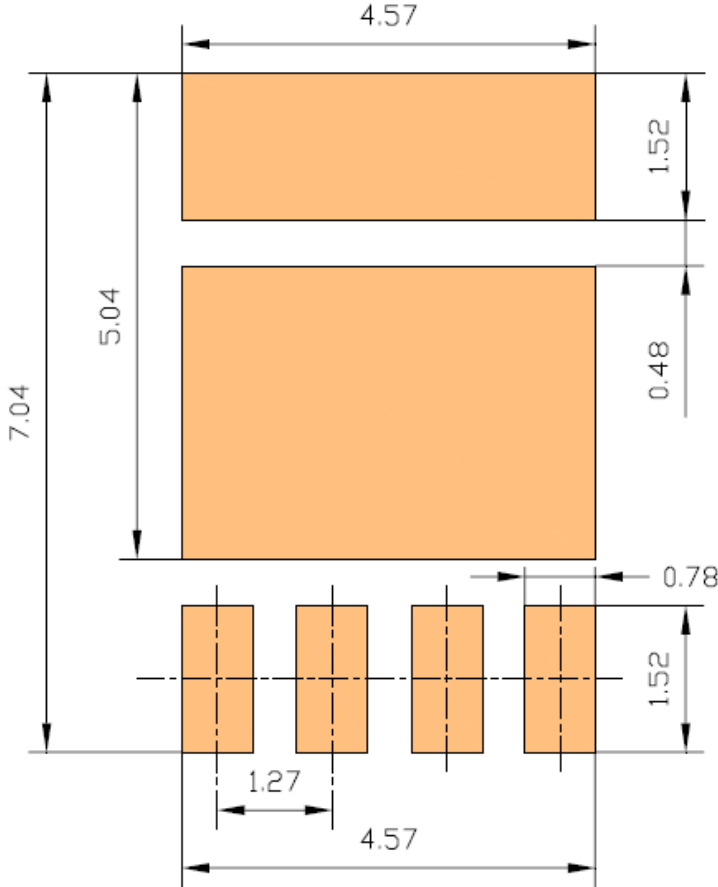
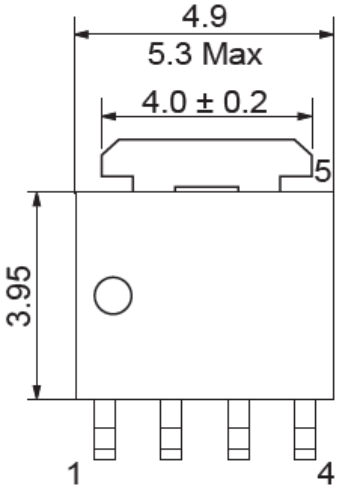
Unit : mm



RENESAS Code
PTZZ0005DA-A

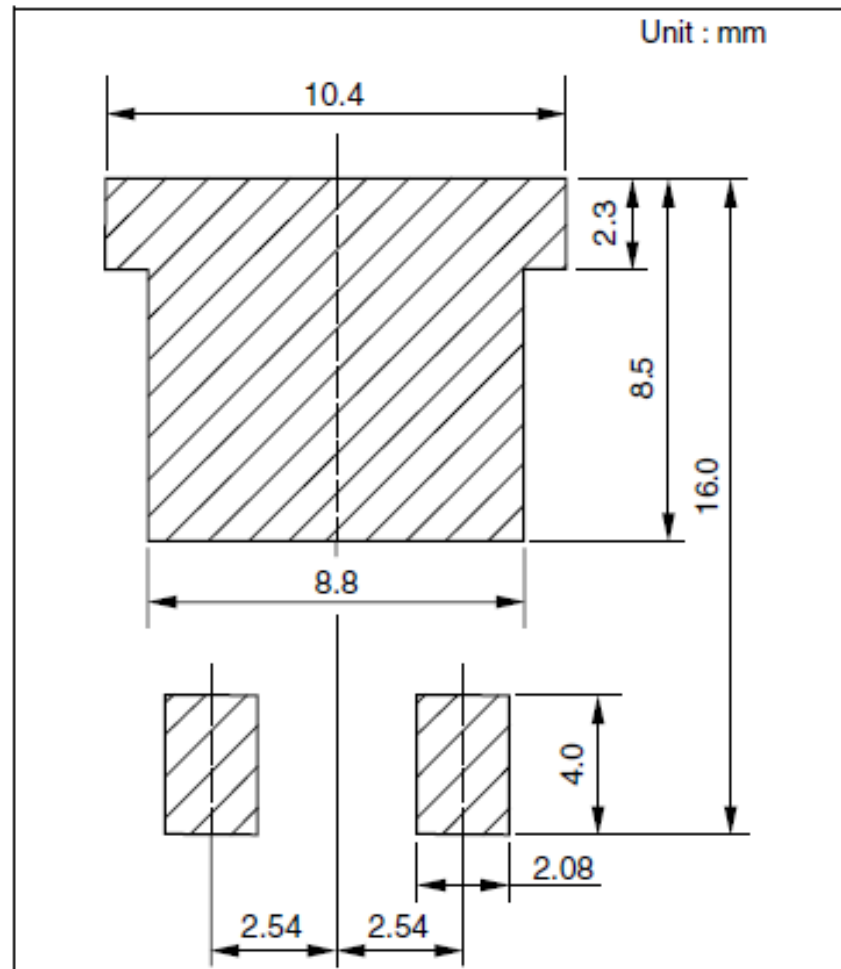
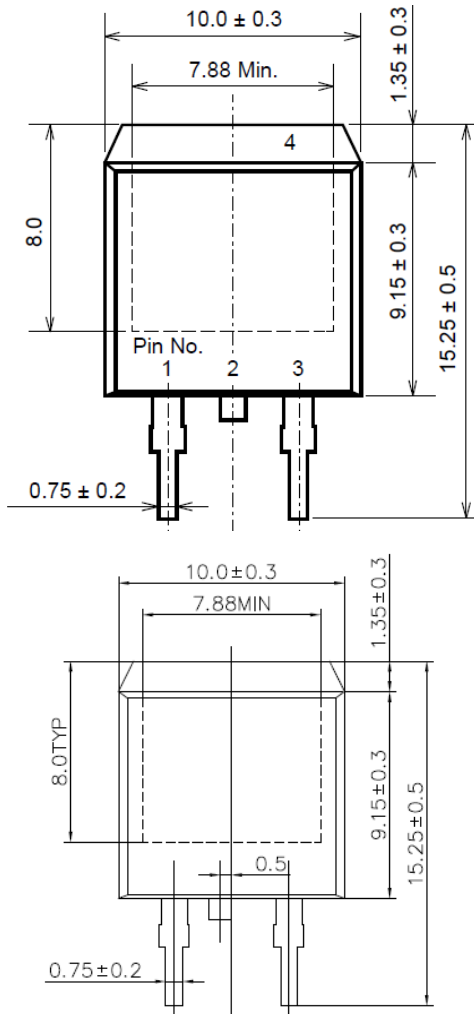
## LFPAK Mount Pad Dimensions

Unit : mm





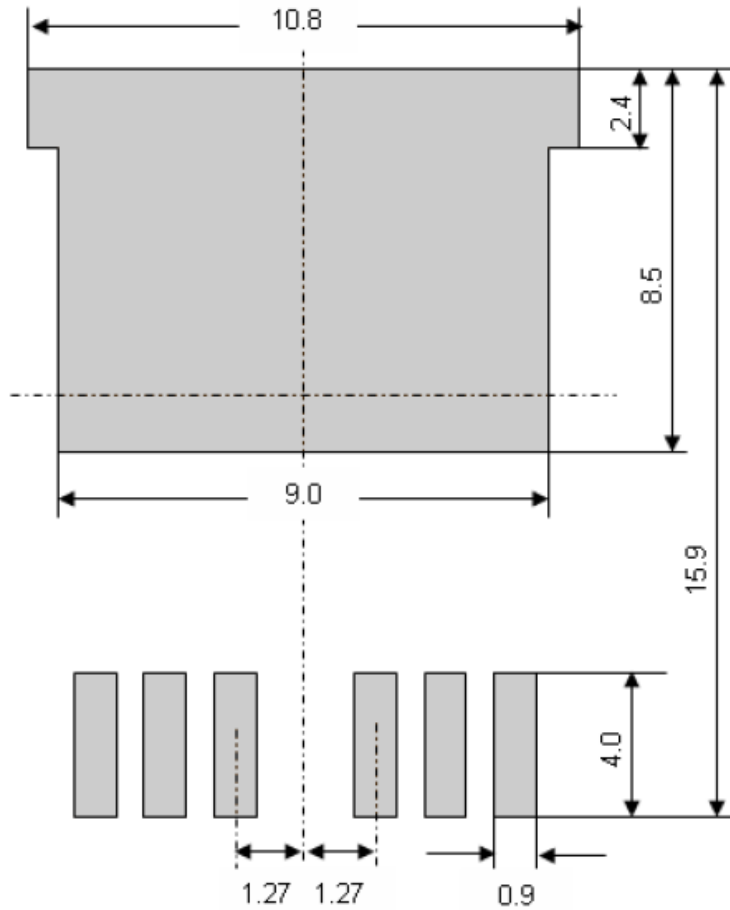
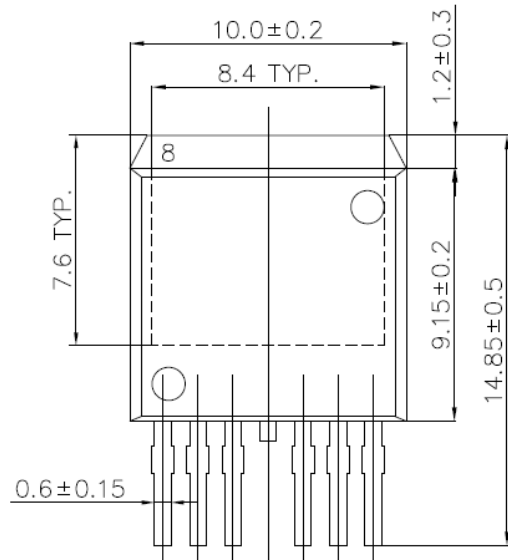
## MP-25ZK,ZP Mount Pad Dimensions



RENESAS Code
PRSS0008DB-A

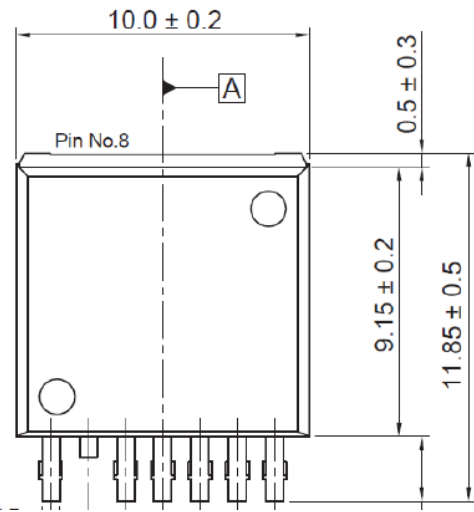
## MP-25ZT Mount Pad Dimensions

Unit : mm

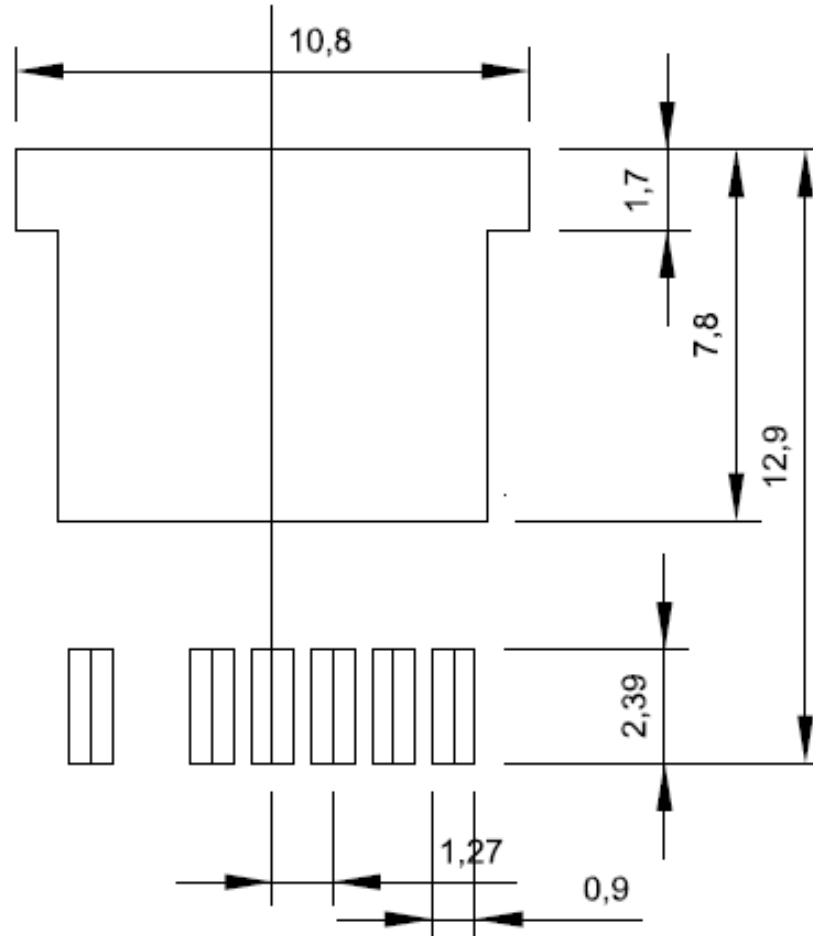


# MP-25ZU

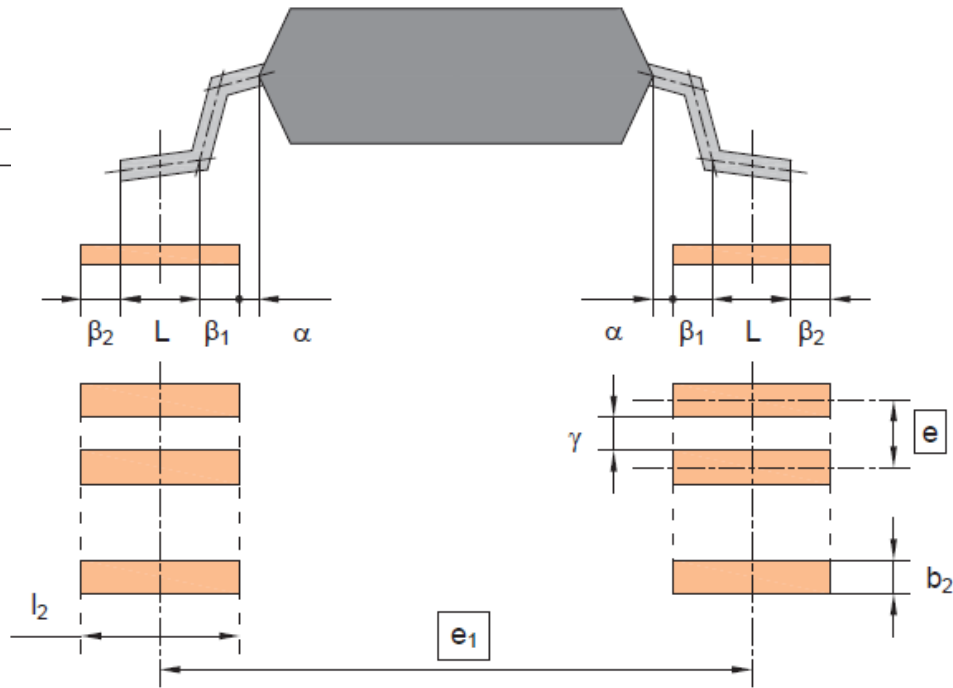
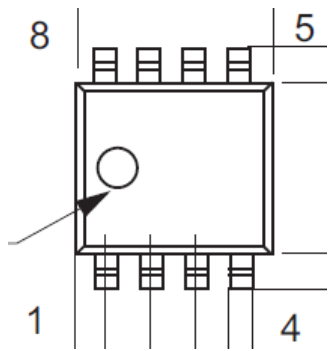
## Mount Pad Dimensions



Unit : mm



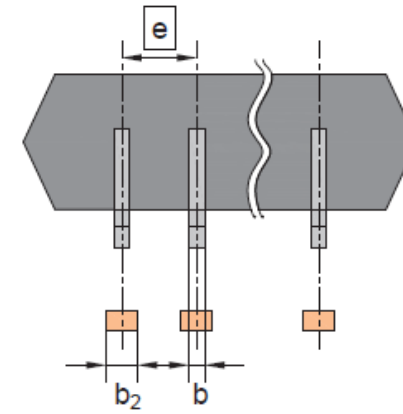
## SOP Mount Pad Dimensions



- Type of package width  $e_1$  :
 

Type 1	225 mil ( 5.72)
Type 2	300 mil ( 7.62)
Type 3	375 mil ( 9.53)
Type 4	450 mil (11.43)
Type 5	525 mil (13.34)
Type 6	600 mil (15.24)

- The constant parts are all the same from type 1 to 6.



$$l_2 = L + \beta_1 + \beta_2$$

$$b \leq b_2 \leq e - \gamma$$

$l_2$  and  $b_2$  can get by following formula and value  $e$  and  $b$  from package drawing figure and below parameter table.

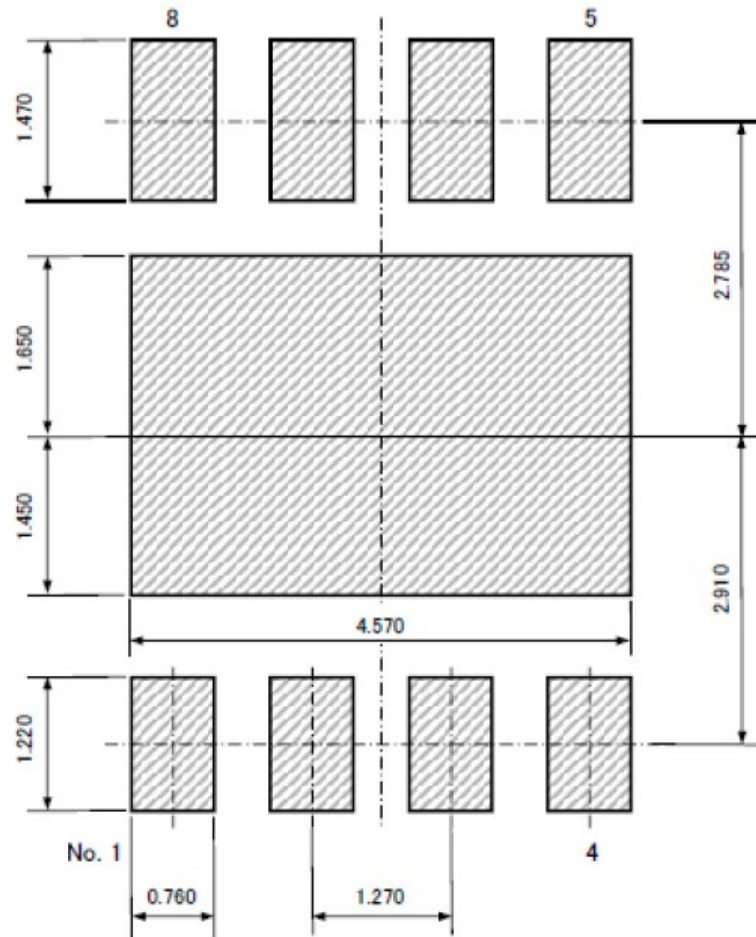
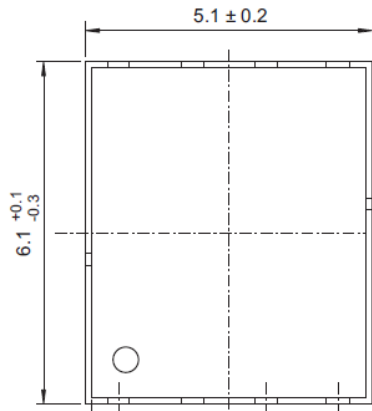
- Dimension parameter (Unit: mm)

	$e$
$\alpha$	Over 0.20
$\beta_1$	0.20 to 0.50
$\beta_2$	0.20
$\gamma$	0.30

(Reference values based on the former EIAJ ED-7402-1 standard)

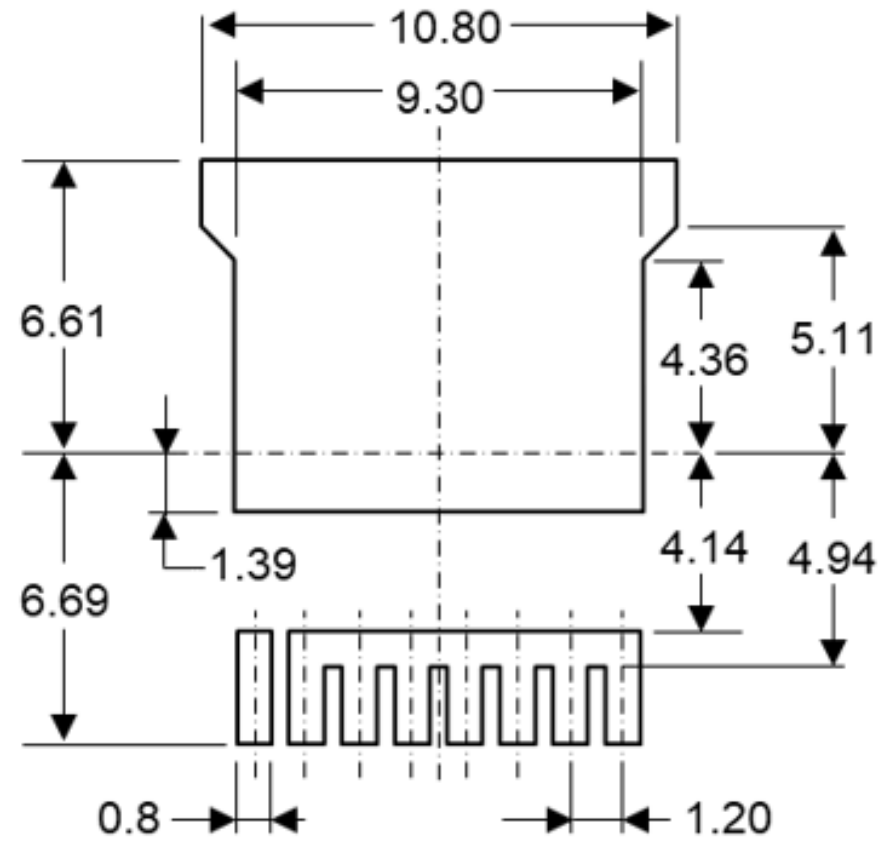
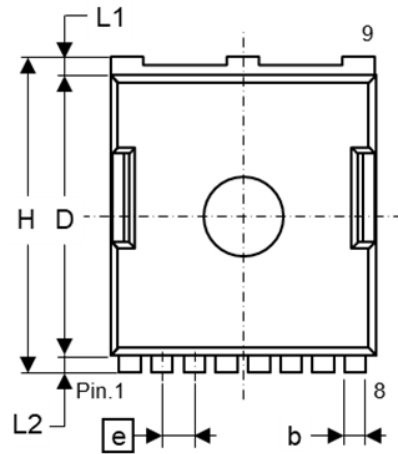
# WPAK Mount Pad Dimensions

Unit : mm



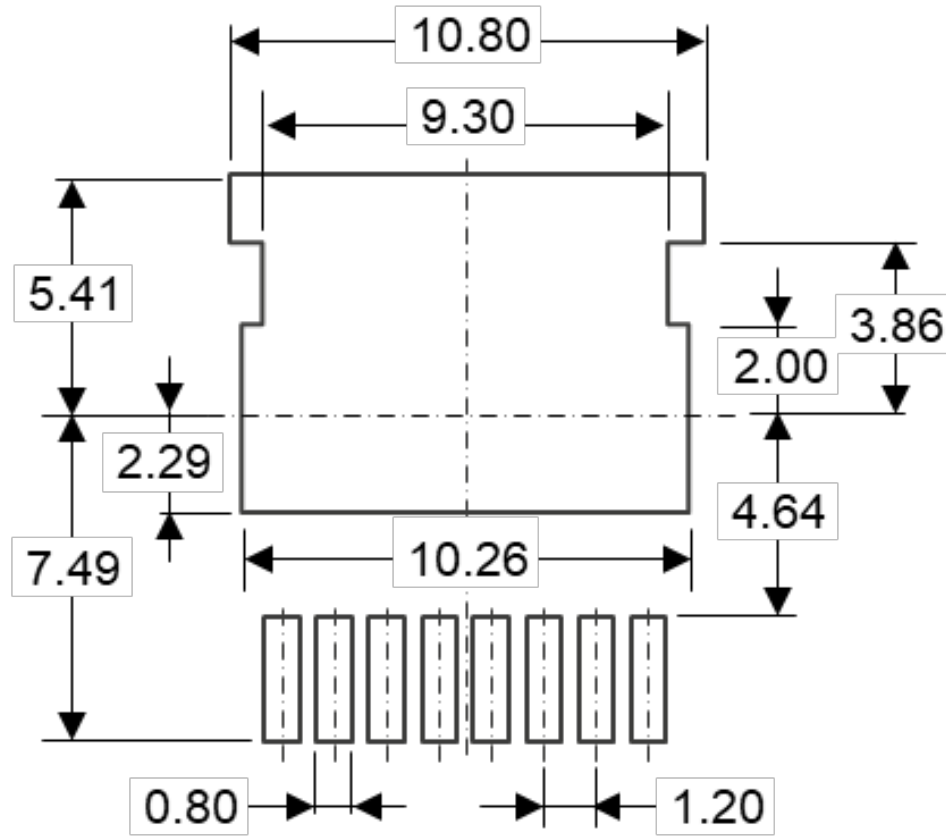
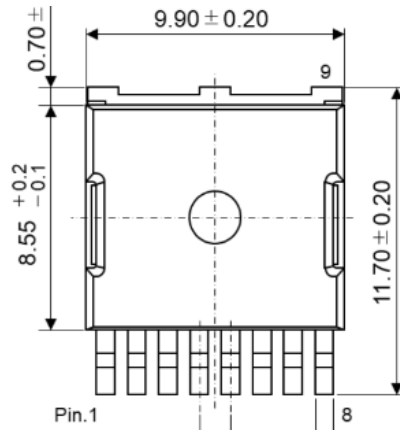
## TOLL Mount Pad Dimensions

Unit : mm



# TOLG Mount Pad Dimensions

Unit : mm



---

[Renesas.com](https://www.renesas.com)