

32-BIT MCU RENESAS RA FAMILY

NOMENCLATURE

MAY 2024, VERSION 2.12 PUBLIC
EMBEDDED PROCESSING 1ST BUSINESS DIVISION
EMBEDDED PROCESSING 2ND BUSINESS DIVISION

RENESAS ELECTRONICS CORPORATION



NOMENCLATURE OVERVIEW

- **Family Name:** RA - Renesas Advanced
 - ✓ 32-bit Microcontroller with Arm Cortex-M Cores



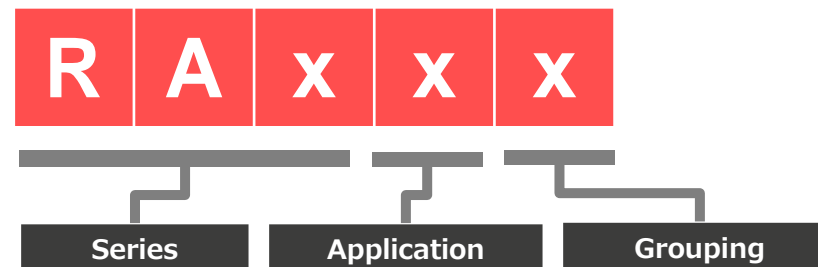
- **Series Name:** (RA + 1 digit)

- ✓ Examples:
 - RA2 Series
 - RA4 Series

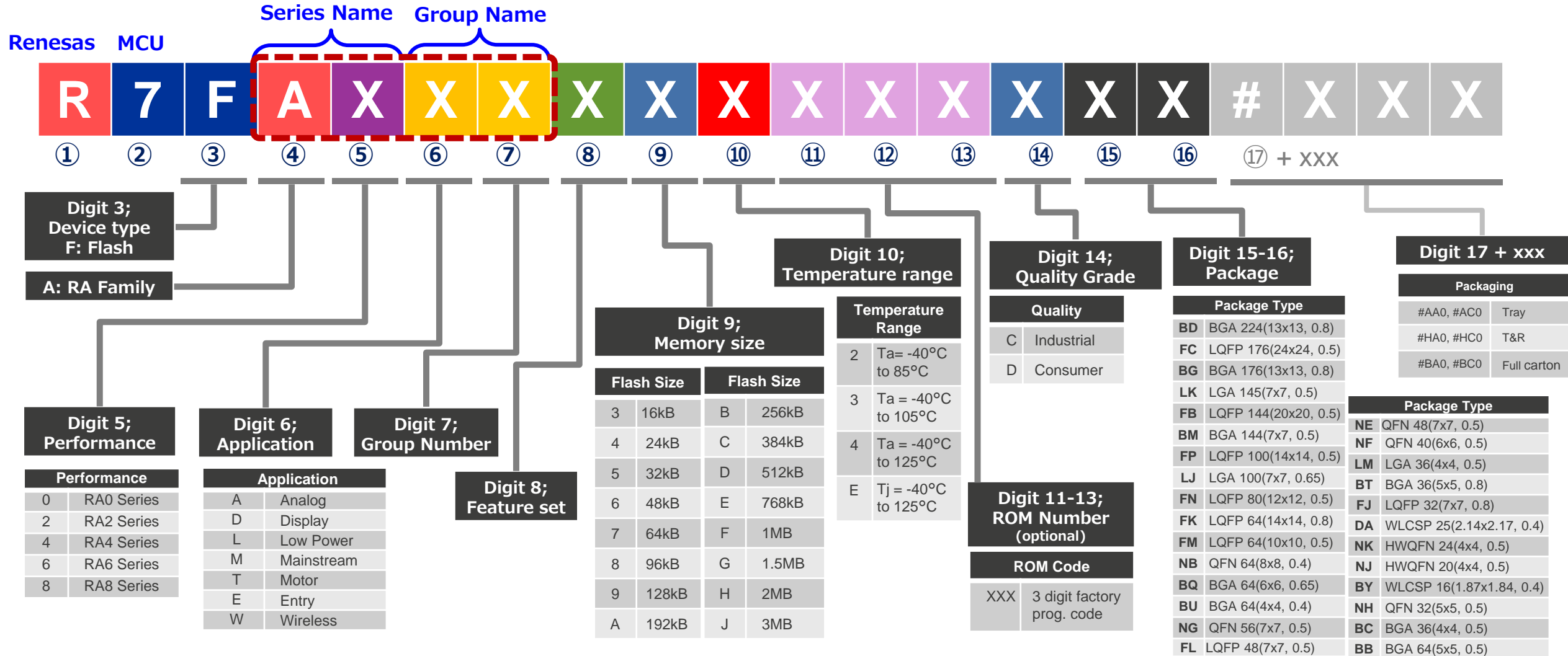


- **Group Name:** (RA + 3 digits)

- ✓ Examples:
 - RA2A1 Group
 - RA6M1 Group

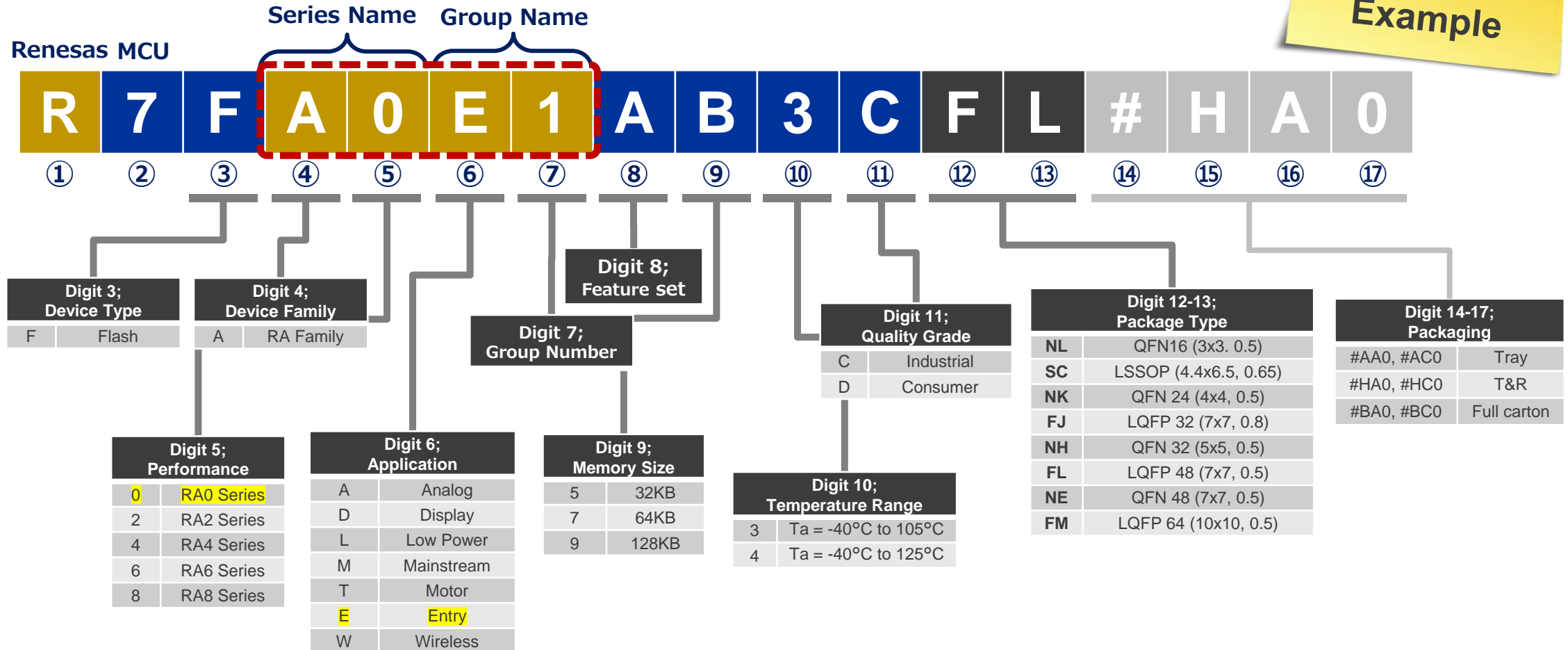


RENESAS RA FAMILY PART NUMBER STRUCTURE



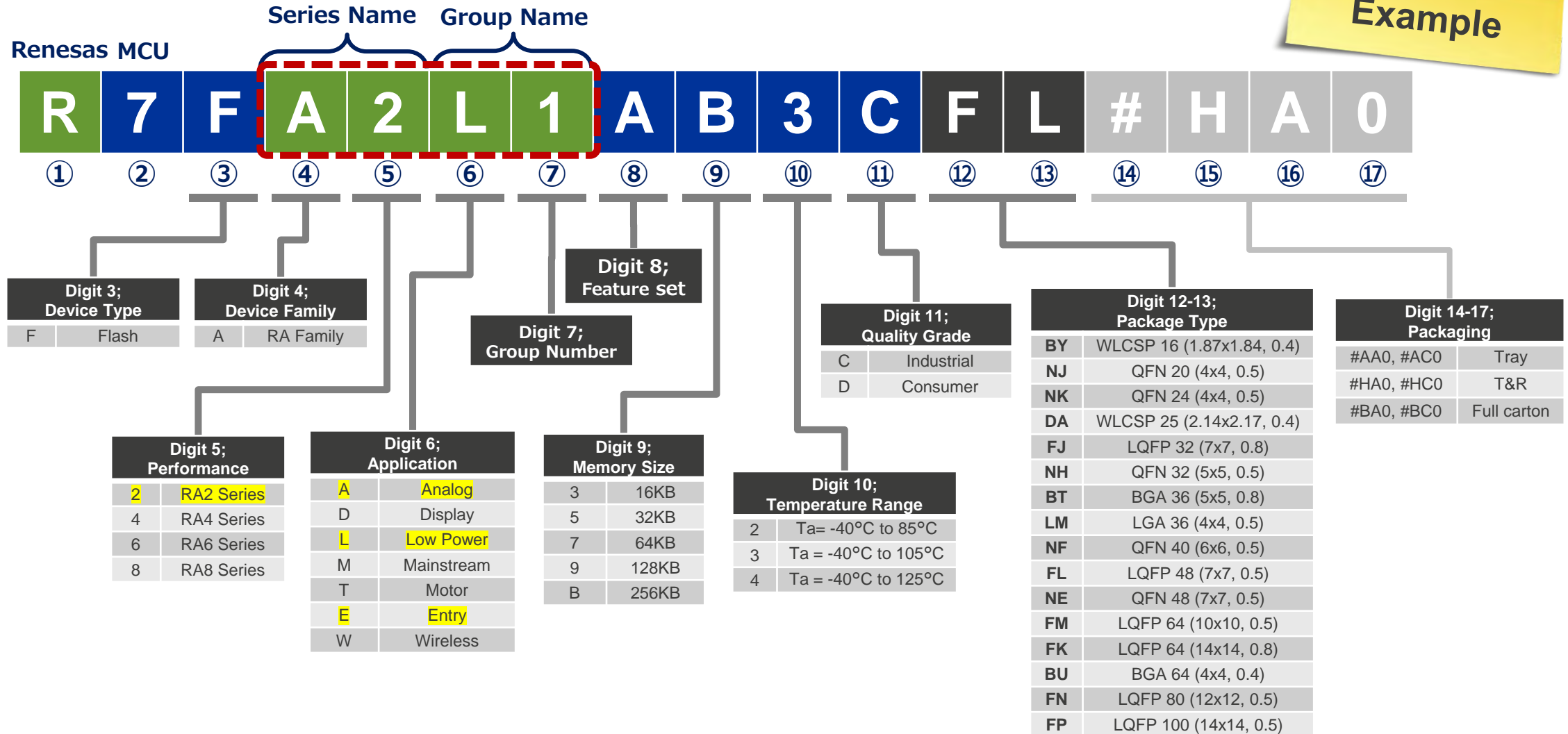
RENESAS **RA0 SERIES** PART NUMBER EXAMPLES (FOR REFERENCE)

Example



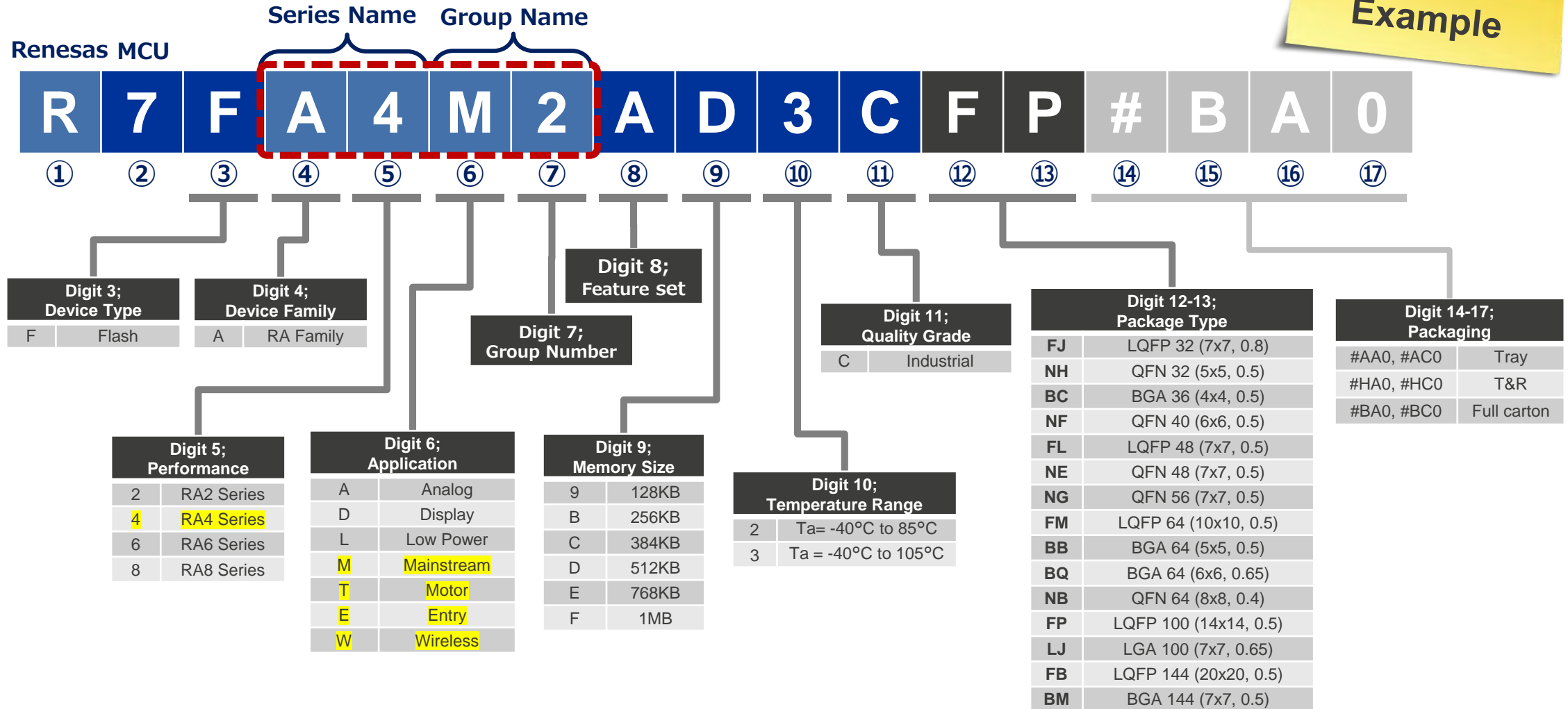
RENESAS RA2 SERIES PART NUMBER EXAMPLES (FOR REFERENCE)

Example



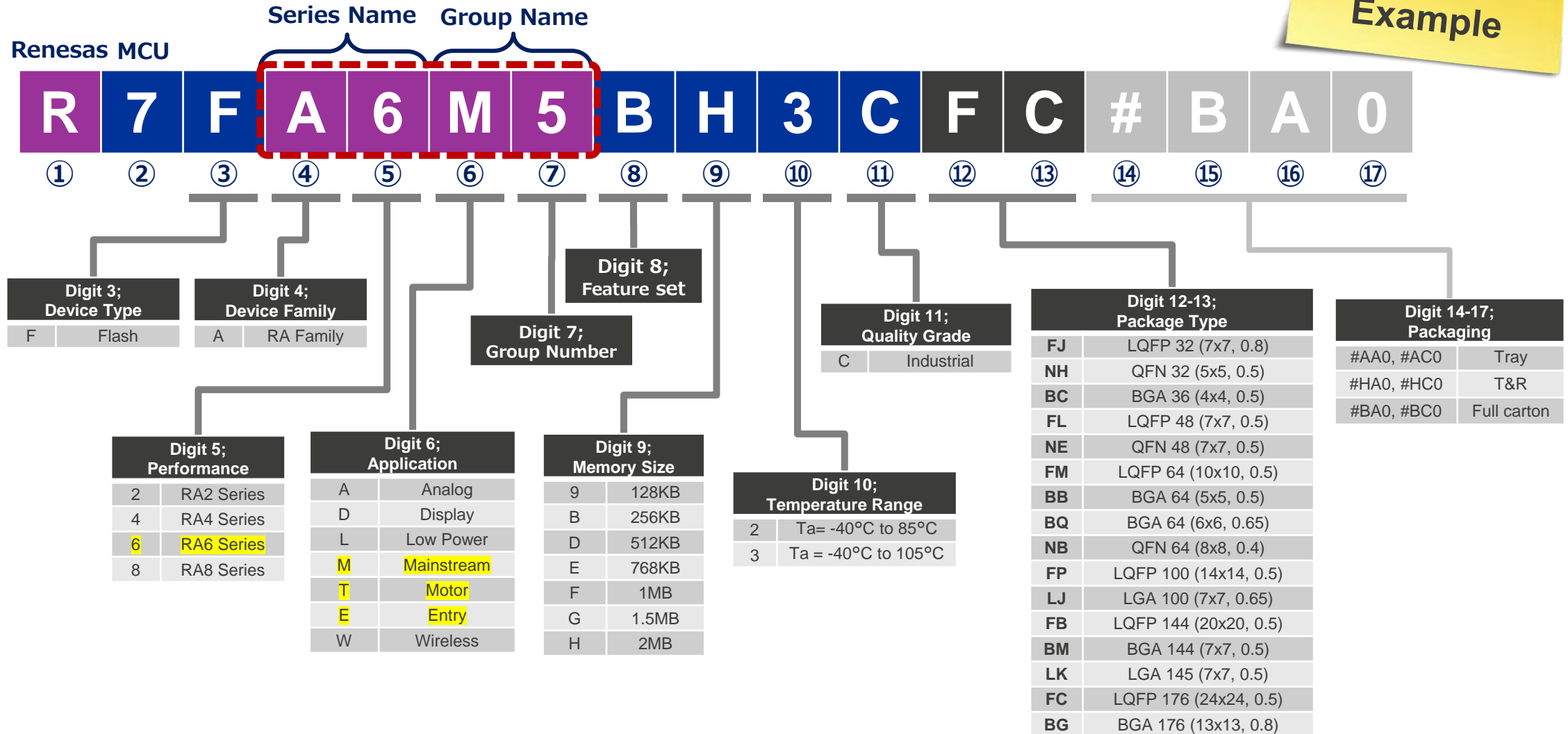
RENESAS RA4 SERIES PART NUMBER EXAMPLES (FOR REFERENCE)

Example



RENESAS RA6 SERIES PART NUMBER EXAMPLES (FOR REFERENCE)

Example



RENESAS RA8 SERIES PART NUMBER EXAMPLES (FOR REFERENCE)

Example

