



IDT[®] 89EBP0604SB SATA 6.25Gbps Evaluation Board Manual

(Evaluation Board: 18-703-000)

March 2011

6024 Silver Creek Valley Road, San Jose, California 95138
Telephone: (800) 345-7015 • (408) 284-8200 • FAX: (408) 284-2775
Printed in U.S.A.
©2011 Integrated Device Technology, Inc.

DISCLAIMER

Integrated Device Technology, Inc. reserves the right to make changes to its products or specifications at any time, without notice, in order to improve design or performance and to supply the best possible product. IDT does not assume any responsibility for use of any circuitry described other than the circuitry embodied in an IDT product. The Company makes no representations that circuitry described herein is free from patent infringement or other rights of third parties which may result from its use. No license is granted by implication or otherwise under any patent, patent rights or other rights, of Integrated Device Technology, Inc.

Boards that fail to function should be returned to IDT for replacement. Credit will not be given for the failed boards nor will a Failure Analysis be performed.

LIFE SUPPORT POLICY

Integrated Device Technology's products are not authorized for use as critical components in life support devices or systems unless a specific written agreement pertaining to such intended use is executed between the manufacturer and an officer of IDT.

1. Life support devices or systems are devices or systems which (a) are intended for surgical implant into the body or (b) support or sustain life and whose failure to perform, when properly used in accordance with instructions for use provided in the labeling, can be reasonably expected to result in a significant injury to the user.
2. A critical component is any components of a life support device or system whose failure to perform can be reasonably expected to cause the failure of the life support device or system, or to affect its safety or effectiveness.

IDT, the IDT logo, and Integrated Device Technology are trademarks or registered trademarks of Integrated Device Technology, Inc.



Notes

Description of the EBP0604SB SATA 6G Evaluation Board

Introduction 1-1
 Board Features 1-1
 Hardware 1-1
 Revision History 1-1

Installation of the EBP0604SB SATA 6G Evaluation Board

EBP0604SB Installation 2-1
 Hardware Description 2-1
 External Power Source 2-1
 1.2V Voltage Regulator 2-2
 Boot Configuration Vector 2-2
 LEDs 2-4
 SATA Connectors 2-4
 EBP0604SB Board Figures 2-4

Schematics

Schematics 3-1

Notes



List of Tables

Notes

Table 2.1	External Power Connector — J7	2-1
Table 2.2	Boot Configuration Vector Signals	2-2
Table 2.3	Two Bit 3-Level Input Hexadecimal Notation	2-3
Table 2.4	LED Indicators	2-4

Notes



List of Figures

Notes

Figure 2.1	EBP0604SB Board Topside View	2-5
Figure 2.2	EBP0604SB Board Bottom View	2-6

Notes



Description of the EBP0604SB SATA 6G Evaluation Board

Notes

Introduction

The 89HP0604SB 6.25Gbps Signal Repeater (also referred to as P0604SB in this manual) is a member of the IDT Signal Integrity Products family. It is a 4-channel repeater that supports 2 bidirectional SATA 6Gbps lane. The main function of a signal repeater is to extend the reach of signals over a board trace or a cable beyond that which can be achieved natively by a SATA host controller or hard disk.

The 89EBP0604SB (EBP0604SB) evaluation board provides an evaluation platform for the P0604SB signal repeater. The evaluation board provided by IDT can be configured to test the functionality of the P0604SB device in a wide variety of system topologies.

Board Features

Hardware

- ◆ **P0604SB Signal Repeater for extending SATA 6Gbps reach**
 - Single P0604SB device enabling 2 bidirectional SATA 6Gbps lane on a single board
 - SATA connectors on each side of the board allow cables connecting to Host and Target devices.
- ◆ **Numerous user-selectable configurations set using onboard jumpers and DIP-switches**
 - Channel selection
 - Device power down
 - Receiver equalization
 - Transmitter swing

Revision History

March 18, 2011: Initial publication of evaluation board manual.

Notes



Installation of the EBP0604SB SATA 6G Evaluation Board

Notes

EBP0604SB Installation

This chapter discusses the steps required to configure and install the EBP0604SB evaluation board. All available DIP switches and jumper configurations are explained in detail.

The primary installation steps are:

1. Configure jumper/switch options suitable for the evaluation or application requirements.
2. Connect the SATA 6G cable between the Host and EBP0604SB. Connect the SATA 6G cable between the EBP0604SB and the SATA device, such as an external SATA storage drive.
3. Apply power via SATA power connector.

The EBP0604SB board is typically shipped with all jumpers and switches configured to their default settings. In most cases, the board does not require further modification or setup.

For technical support, please visit the IDT website and fill out the Technical Support Request form at <http://www.idt.com/?app=TechSupport&prodFamily=signal%20integrity%20products>.

Hardware Description

The IDT 89HP0604SB is a 6.25Gbps Repeater IC that reconditions high-speed serial data streams. The 89HP0604SB contains four half-duplex data lanes, where each half-duplex lane consists of a differential equalizer, as well as a transmit driver that includes de-emphasis.

The EBP0604SB consists of single P0604SB device.

Basic requirements for the board to run are:

- SATA Host Controller.
- SATA Target Device (HDD).

External Power Source

External power is supplied to the EBP0604SB board through a 15-pin SATA power connector (J7). The external power supply provides +3.3V to the EBP0604SB as described in Table 2.1. The +12V and +5V are unused. Please do not use adapters that can convert a 4-pin Molex connector to a SATA power connector because the 4-pin Molex connectors do not provide +3.3V power, these adapters provide only +5V and +12V power and leave the +3.3V lines unconnected.

Pin	Signal
1	3.3V
2	3.3V
3	3.3V
4	GND
5	GND
6	GND
7	5V
8	5V

Table 2.1 External Power Connector — J7 (Part 1 of 2)

Notes

Pin	Signal
9	5V
10	GND
11	SPIN-UP
12	GND
13	12V
14	12V
15	12V

Table 2.1 External Power Connector — J7 (Part 2 of 2)

1.2V Voltage Regulator

A 3.3V to 1.2V voltage regulator (VR2) provides the 1.2V supply voltage (VDD) to the P0604SB.

Boot Configuration Vector

A boot configuration vector consisting of the signals listed in Table 2.2 is sampled by the P0604SB during power-on. The boot configuration vector defines the essential parameters for repeater operation and is set using DIP switches S2 as defined in Table 2.2.

Signal	Description								
S2[0]: CHSEL	<p>Channel Transfer Mode.</p> <table border="0"> <tr> <td><u>CHSEL</u></td> <td><u>Setting</u></td> </tr> <tr> <td>VSS</td> <td>Multi-cast mode</td> </tr> <tr> <td>Open</td> <td>Direct-connect mode (default)</td> </tr> <tr> <td>VDD</td> <td>Cross-connect mode</td> </tr> </table>	<u>CHSEL</u>	<u>Setting</u>	VSS	Multi-cast mode	Open	Direct-connect mode (default)	VDD	Cross-connect mode
<u>CHSEL</u>	<u>Setting</u>								
VSS	Multi-cast mode								
Open	Direct-connect mode (default)								
VDD	Cross-connect mode								
S2[1]: A[0]RXEQ S2[2]: A[1]RXEQ	<p>Receiver Equalization at F=3GHz (6Gbps).</p> <p>Programming of channel A0 via pin is shown below. To program channel A1, use pin for that channel.</p> <table border="0"> <tr> <td><u>AORXEQ</u></td> <td><u>Setting</u></td> </tr> <tr> <td>VSS</td> <td>2dB (3GHz)</td> </tr> <tr> <td>Open</td> <td>6dB (3GHz) (Default)</td> </tr> <tr> <td>VDD</td> <td>14dB (3GHz)</td> </tr> </table>	<u>AORXEQ</u>	<u>Setting</u>	VSS	2dB (3GHz)	Open	6dB (3GHz) (Default)	VDD	14dB (3GHz)
<u>AORXEQ</u>	<u>Setting</u>								
VSS	2dB (3GHz)								
Open	6dB (3GHz) (Default)								
VDD	14dB (3GHz)								
S2[3]: B[0]RXEQ S2[4]: B[1]RXEQ	<p>Receiver Equalization at F=3GHz (6Gbps).</p> <p>Programming of channel B0 via pin is shown below. To program channel B1, use pin for that channel.</p> <table border="0"> <tr> <td><u>BORXEQ</u></td> <td><u>Setting</u></td> </tr> <tr> <td>VSS</td> <td>2dB (3GHz)</td> </tr> <tr> <td>Open</td> <td>6dB (3GHz) (Default)</td> </tr> <tr> <td>VDD</td> <td>14dB (3GHz)</td> </tr> </table>	<u>BORXEQ</u>	<u>Setting</u>	VSS	2dB (3GHz)	Open	6dB (3GHz) (Default)	VDD	14dB (3GHz)
<u>BORXEQ</u>	<u>Setting</u>								
VSS	2dB (3GHz)								
Open	6dB (3GHz) (Default)								
VDD	14dB (3GHz)								

Table 2.2 Boot Configuration Vector Signals (Part 1 of 2)

Notes

Signal	Description												
S2[5]: A[0]TXSW S2[6]: A[1]TXSW	<p>Transmitter Voltage Swing (pk-pk). Programming of channel A0 via pin is shown below. To program channel A1, use pin for that channel.</p> <table border="1"> <thead> <tr> <th><u>A0TXSW</u></th> <th><u>Swing</u></th> <th><u>De-Emphasis</u></th> </tr> </thead> <tbody> <tr> <td>VSS</td> <td>0.5Vdiff-pkpk</td> <td>0dB</td> </tr> <tr> <td>Open</td> <td>0.8Vdiff-pkpk (Default)</td> <td>-3.5dB</td> </tr> <tr> <td>VDD</td> <td>0.95Vdiff-pkpk</td> <td>-6.5dB</td> </tr> </tbody> </table>	<u>A0TXSW</u>	<u>Swing</u>	<u>De-Emphasis</u>	VSS	0.5Vdiff-pkpk	0dB	Open	0.8Vdiff-pkpk (Default)	-3.5dB	VDD	0.95Vdiff-pkpk	-6.5dB
<u>A0TXSW</u>	<u>Swing</u>	<u>De-Emphasis</u>											
VSS	0.5Vdiff-pkpk	0dB											
Open	0.8Vdiff-pkpk (Default)	-3.5dB											
VDD	0.95Vdiff-pkpk	-6.5dB											
S2[7]: B[0]TXSW S2[8]: B[1]TXSW	<p>Transmitter Voltage Swing (pk-pk). Programming of channel B0 via pin is shown below. To program channel B1, use pin for that channel.</p> <table border="1"> <thead> <tr> <th><u>B0TXSW</u></th> <th><u>Swing</u></th> <th><u>De-Emphasis</u></th> </tr> </thead> <tbody> <tr> <td>VSS</td> <td>0.5Vdiff-pkpk</td> <td>0dB</td> </tr> <tr> <td>Open</td> <td>0.8Vdiff-pkpk (Default)</td> <td>-3.5dB</td> </tr> <tr> <td>VDD</td> <td>0.95Vdiff-pkpk</td> <td>-6.5dB</td> </tr> </tbody> </table>	<u>B0TXSW</u>	<u>Swing</u>	<u>De-Emphasis</u>	VSS	0.5Vdiff-pkpk	0dB	Open	0.8Vdiff-pkpk (Default)	-3.5dB	VDD	0.95Vdiff-pkpk	-6.5dB
<u>B0TXSW</u>	<u>Swing</u>	<u>De-Emphasis</u>											
VSS	0.5Vdiff-pkpk	0dB											
Open	0.8Vdiff-pkpk (Default)	-3.5dB											
VDD	0.95Vdiff-pkpk	-6.5dB											
S2[9]: PDB	<p>Power-down Enable.</p> <table border="1"> <thead> <tr> <th><u>PDB</u></th> <th><u>Setting</u></th> </tr> </thead> <tbody> <tr> <td>VSS</td> <td>Powerdown IC. RX terminations are in Hi-Z, TX is disabled</td> </tr> <tr> <td>VDD</td> <td>Normal operation (internal 11K ohm minimum pull-up applied)</td> </tr> </tbody> </table>	<u>PDB</u>	<u>Setting</u>	VSS	Powerdown IC. RX terminations are in Hi-Z, TX is disabled	VDD	Normal operation (internal 11K ohm minimum pull-up applied)						
<u>PDB</u>	<u>Setting</u>												
VSS	Powerdown IC. RX terminations are in Hi-Z, TX is disabled												
VDD	Normal operation (internal 11K ohm minimum pull-up applied)												

Table 2.2 Boot Configuration Vector Signals (Part 2 of 2)

For the pin list in Table 2.2, two 3-level input pins will have four bit outputs. The 3-level input can be mapped to hexadecimal notation as shown in Table 2.3.

Example [1:0] Input Voltage (VSS, VMI, VDD)	Example[3:0] Hexadecimal Notation
VSS, VSS	4'h0 (0000)
VSS, VMI	4'h1 (0001)
VSS, VDD	4'h3 (0011)
VMI, VSS	4'h4 (0100)
VMI, VMI	4'h5 (0101)
VMI, VDD	4'h7 (0111)
VDD, VSS	4'hC (1100)
VDD, VMI	4'hD (1101)
VDD, VDD	4'hF (1111)

Table 2.3 Two Bit 3-Level Input Hexadecimal Notation

Notes

LEDs

There are LED indicators on the EBP0604SB which convey status feedback. A description of each is provided in Table 2.4.

Location	Color	Definition
DS3	Green	3.3V Power Indicator
DS4	Green	1.2V Power Indicator

Table 2.4 LED Indicators

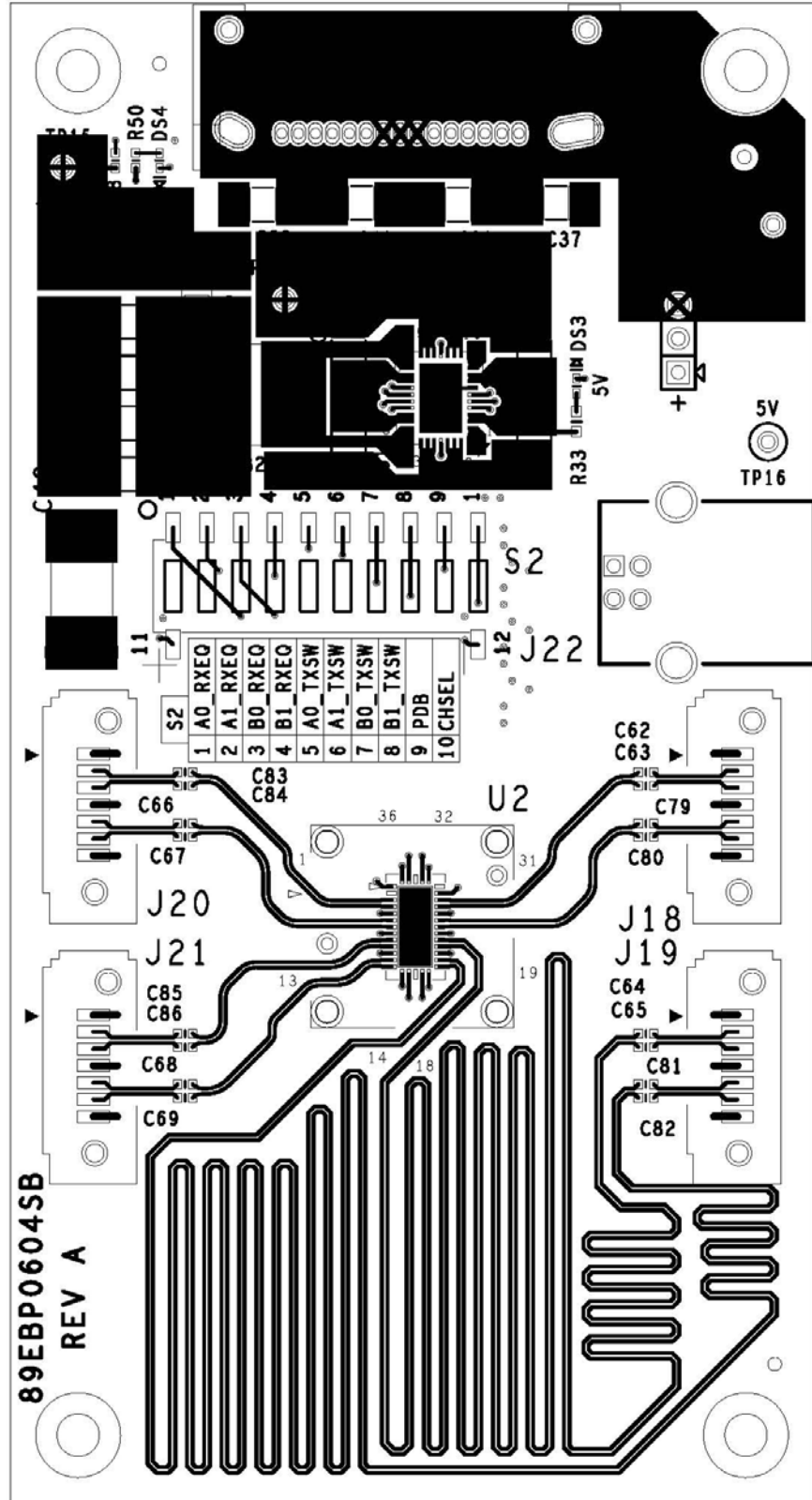
SATA Connectors

The P0604SB repeater has no special orientation requirements with respect to the host controller or disk drive. SATA connectors J18, J19, J20 and J21 can be attached via a cable to either the host or hard disk drive. The channel/trace length between the P0604SB and J19 is 18 inches which is intended to model a typical PC environment. It is important, however, to properly set the receiver equalization and transmitter settings based on the cable/channel length being used.

EBP0604SB Board Figures

The top and bottom views of the board are shown in Figures 2.1 and 2.2 respectively.

Notes



Notes

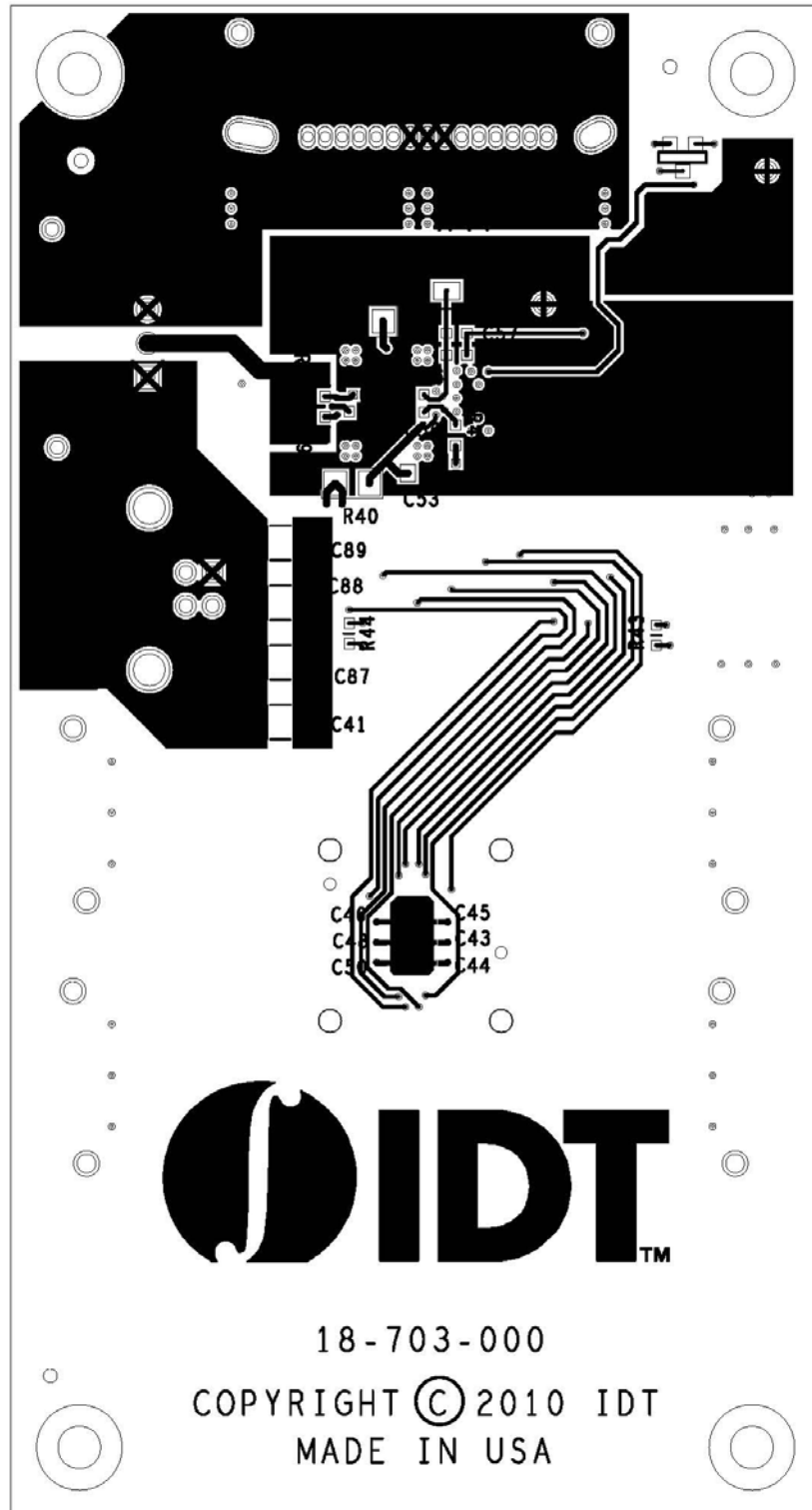


Figure 2.2 EBP0604SB Board Bottom View



Schematics

Notes

Schematics

REVISIONS				
DCN	REV	DESCRIPTION	DATE	CHANGE BY
	A	INITIAL RELEASE	2010-08-05	K. LEUNG

IDT 89HP0604S(B) 36-QFN SATA EVALUATION BOARD

TABLE OF CONTENTS

89HP0604S, POWER.....2

89HP0604S, SATA CONNECTORS...3

DLP CONTROLLER.....4

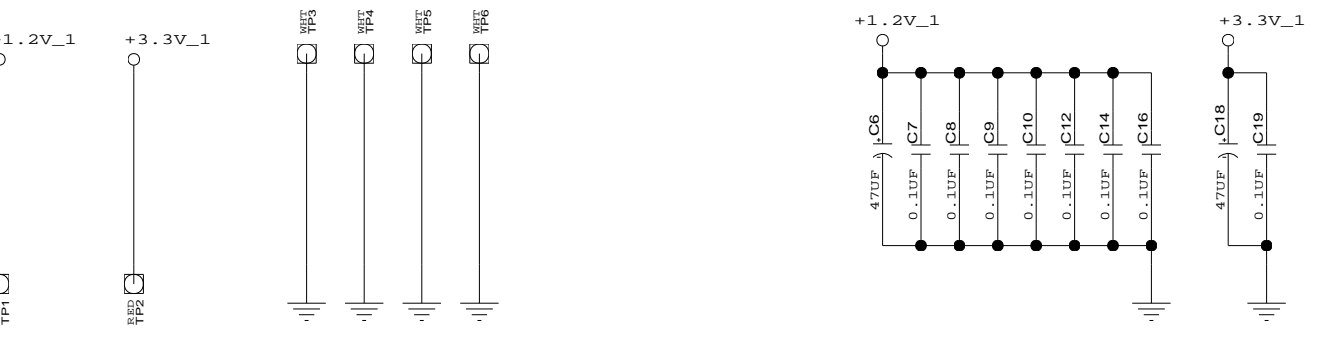
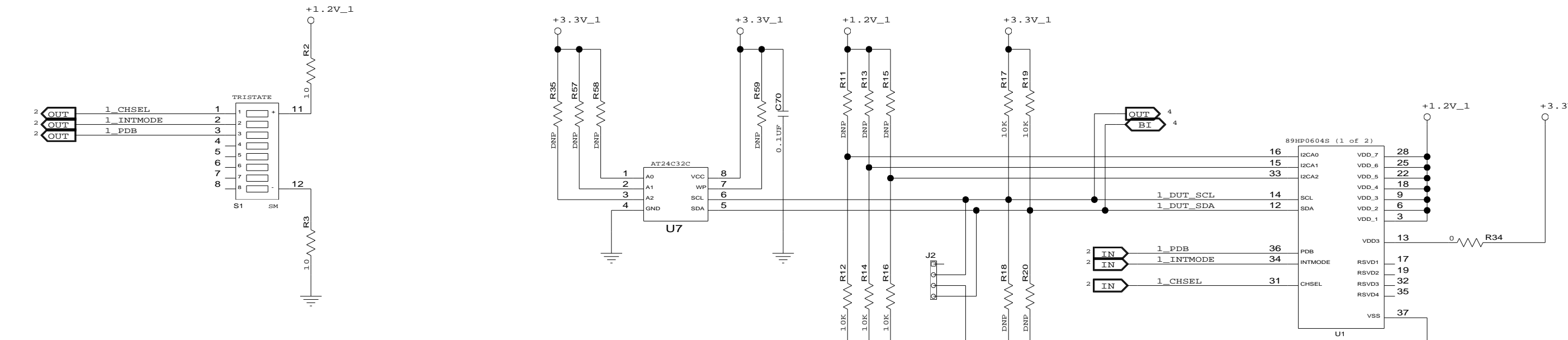
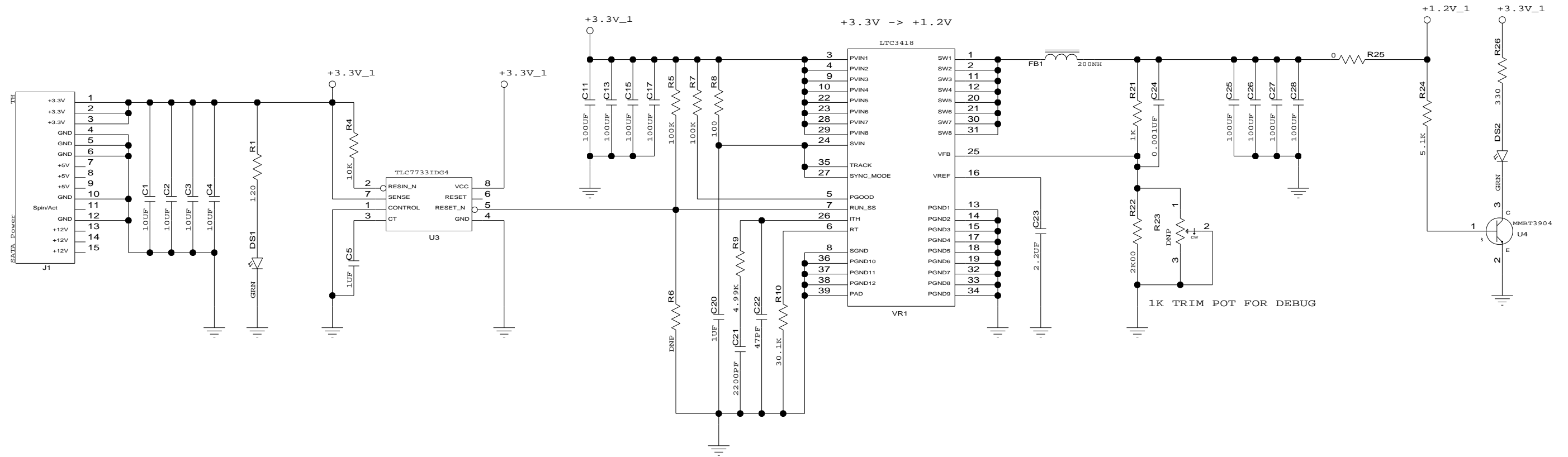
89HP0604SB, POWER.....5

89HP0604SB, SATA CONNECTORS..6



CONFIDENTIAL PROPERTY OF INTEGRATED DEVICE TECHNOLOGY, INC.
 6024 SILVER CREEK VALLEY ROAD, SAN JOSE, CA 95138
 COPYRIGHT (C) 2010 IDT

TITLE			
89EBP0604S(B) Eval Board			
SIZE	DRAWING NO.	FAB P/N	REV.
B	P0604S-SATA-EB-001	18-703-000	A
AUTHOR		CHECKED BY	
K. Leung		D. Huang	
Mon Dec 06 16:35:06 2010			SHEET 1 OF 6



89HP0604S, POWER

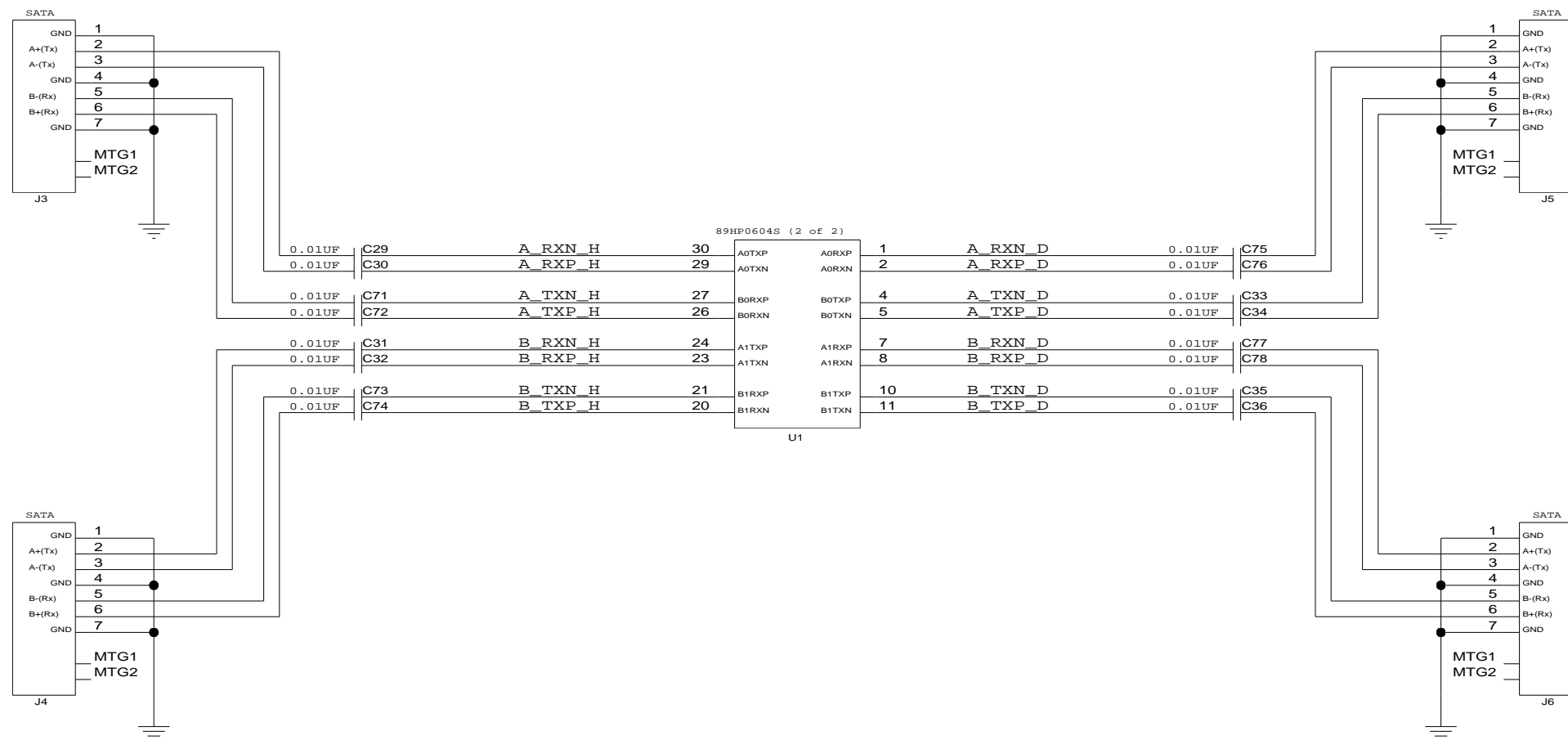
TITLE 89EP0604S(B) Eval Board

SIZE	DRAWING NO.	FAB P/N	REV.
B	P0604S-SATA-EB-001	18-703-000	A

AUTHOR: K. Leung
CHECKED BY: D. Huang

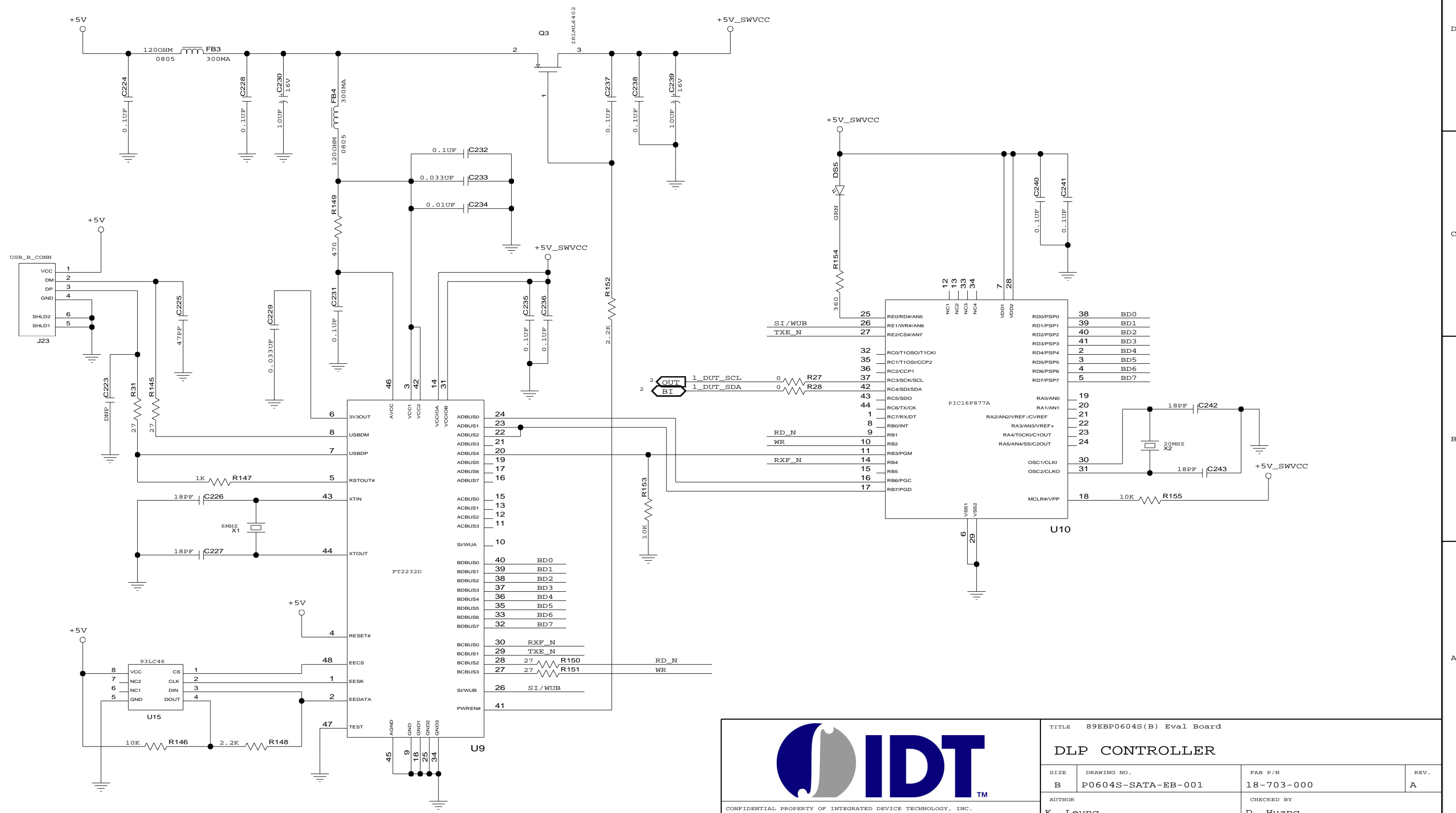
Mon Dec 06 16:40:28 2010


CONFIDENTIAL PROPERTY OF INTEGRATED DEVICE TECHNOLOGY, INC.
6024 SILVER CREEK VALLEY ROAD, SAN JOSE, CA 95138
COPYRIGHT (C) 2010 IDT

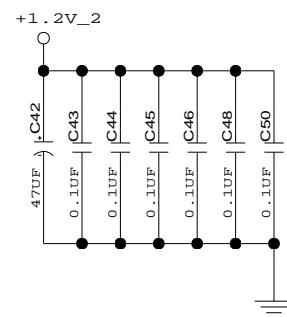
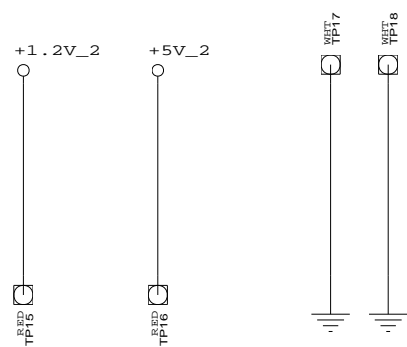
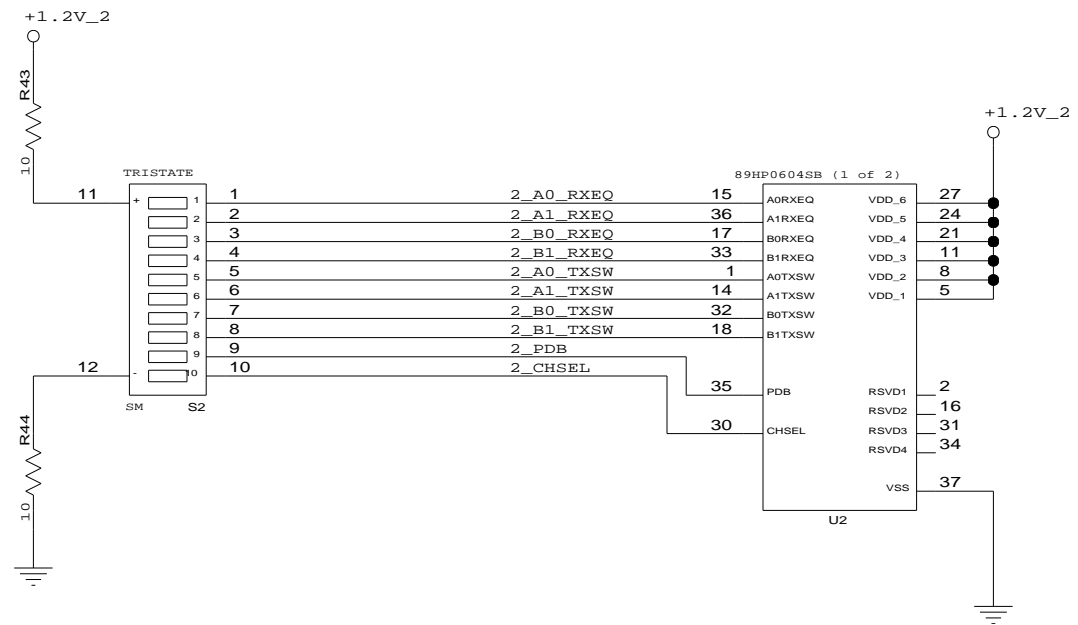
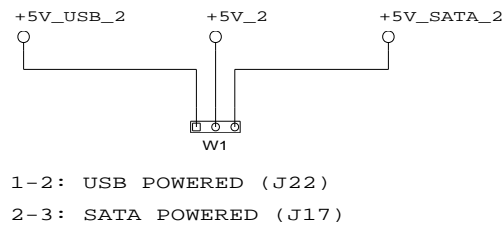
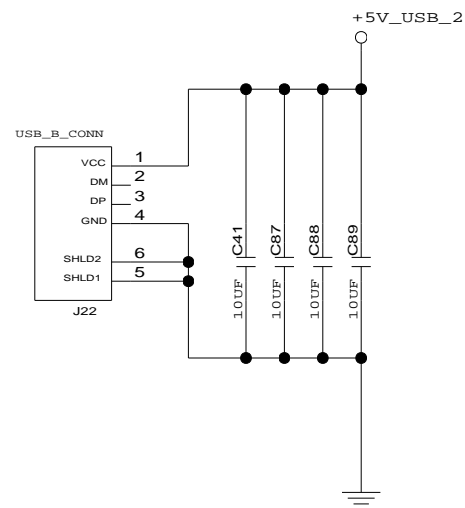
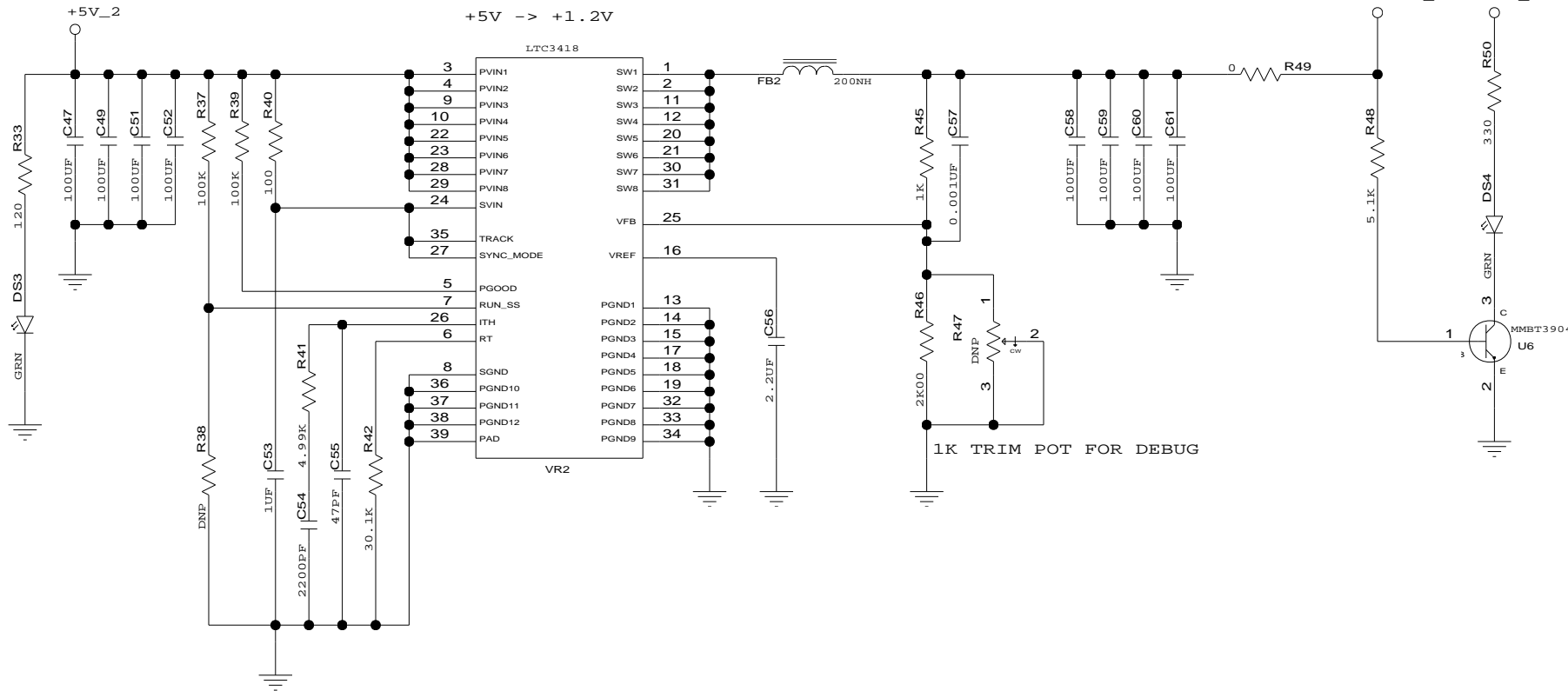
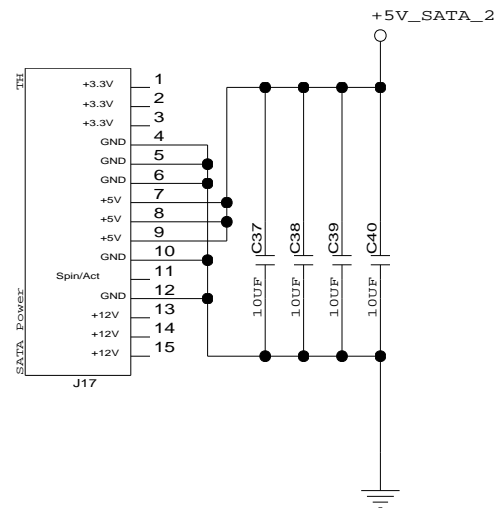



CONFIDENTIAL PROPERTY OF INTEGRATED DEVICE TECHNOLOGY, INC.
6024 SILVER CREEK VALLEY ROAD, SAN JOSE, CA 95138
COPYRIGHT (C) 2010 IDT

TITLE 89EBP0604S(B) Eval Board			
89HP0604S, SATA CONNECTORS			
SIZE	DRAWING NO.	FAB P/N	REV.
B	P0604S-SATA-EB-001	18-703-000	A
AUTHOR		CHECKED BY	
K. Leung		D. Huang	
Tue Aug 31 12:33:11 2010			SHEET 3 OF 6



		TITLE 89EP0604S(B) Eval Board	
		DLP CONTROLLER	
SIZE B	DRAWING NO. P0604S-SATA-EB-001	FAB P/N 18-703-000	REV. A
AUTHOR K. Leung		CHECKED BY D. Huang	
CONFIDENTIAL PROPERTY OF INTEGRATED DEVICE TECHNOLOGY, INC. 6024 SILVER CREEK VALLEY ROAD, SAN JOSE, CA 95138 COPYRIGHT (C) 2010 IDT		Tue Aug 31 12:33:48 2010 SHEET 4 OF 6	



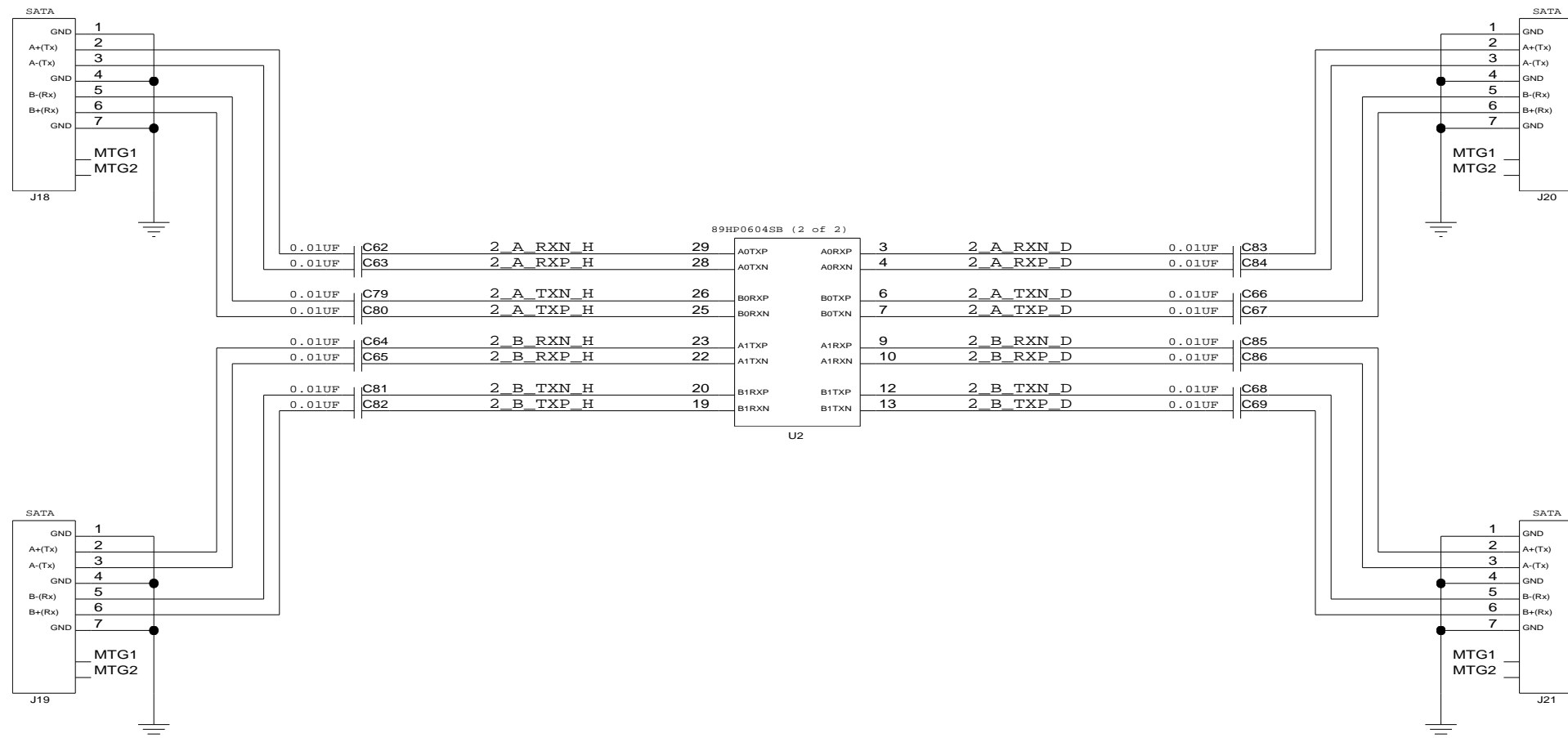


CONFIDENTIAL PROPERTY OF INTEGRATED DEVICE TECHNOLOGY, INC.
6024 SILVER CREEK VALLEY ROAD, SAN JOSE, CA 95138
COPYRIGHT (C) 2010 IDT

TITLE 89EBP0604S(B) Eval Board

89HP0604SB, POWER

SIZE	DRAWING NO.	FAB P/N	REV.
B	P0604S-SATA-EB-001	18-703-000	A
AUTHOR		CHECKED BY	
K. Leung		D. Huang	
Mon Dec 06 16:40:28 2010			SHEET 5 OF 6



CONFIDENTIAL PROPERTY OF INTEGRATED DEVICE TECHNOLOGY, INC.
6024 SILVER CREEK VALLEY ROAD, SAN JOSE, CA 95138
COPYRIGHT (C) 2010 IDT

TITLE 89EBP0604S(B) Eval Board

89HP0604SB, SATA CONNECTORS

SIZE	DRAWING NO.	FAB P/N	REV.
B	P0604S-SATA-EB-001	18-703-000	A

AUTHOR	CHECKED BY
K. Leung	D. Huang

Thu Aug 05 02:15:50 2010

SHEET 6 OF 6

IMPORTANT NOTICE AND DISCLAIMER

RENESAS ELECTRONICS CORPORATION AND ITS SUBSIDIARIES (“RENESAS”) PROVIDES TECHNICAL SPECIFICATIONS AND RELIABILITY DATA (INCLUDING DATASHEETS), DESIGN RESOURCES (INCLUDING REFERENCE DESIGNS), APPLICATION OR OTHER DESIGN ADVICE, WEB TOOLS, SAFETY INFORMATION, AND OTHER RESOURCES “AS IS” AND WITH ALL FAULTS, AND DISCLAIMS ALL WARRANTIES, EXPRESS OR IMPLIED, INCLUDING, WITHOUT LIMITATION, ANY IMPLIED WARRANTIES OF MERCHANTABILITY, FITNESS FOR A PARTICULAR PURPOSE, OR NON-INFRINGEMENT OF THIRD-PARTY INTELLECTUAL PROPERTY RIGHTS.

These resources are intended for developers who are designing with Renesas products. You are solely responsible for (1) selecting the appropriate products for your application, (2) designing, validating, and testing your application, and (3) ensuring your application meets applicable standards, and any other safety, security, or other requirements. These resources are subject to change without notice. Renesas grants you permission to use these resources only to develop an application that uses Renesas products. Other reproduction or use of these resources is strictly prohibited. No license is granted to any other Renesas intellectual property or to any third-party intellectual property. Renesas disclaims responsibility for, and you will fully indemnify Renesas and its representatives against, any claims, damages, costs, losses, or liabilities arising from your use of these resources. Renesas' products are provided only subject to Renesas' Terms and Conditions of Sale or other applicable terms agreed to in writing. No use of any Renesas resources expands or otherwise alters any applicable warranties or warranty disclaimers for these products.

(Disclaimer Rev.1.01 Jan 2024)

Corporate Headquarters

TOYOSU FORESIA, 3-2-24 Toyosu,
Koto-ku, Tokyo 135-0061, Japan
www.renesas.com

Trademarks

Renesas and the Renesas logo are trademarks of Renesas Electronics Corporation. All trademarks and registered trademarks are the property of their respective owners.

Contact Information

For further information on a product, technology, the most up-to-date version of a document, or your nearest sales office, please visit www.renesas.com/contact-us/.