



IDT™ 89EBPES4T4 Evaluation Board Manual

(Eval Board: 18-637-001)

August 2007

6024 Silver Creek Valley Road, San Jose, California 95138
Telephone: (800) 345-7015 • (408) 284-8200 • FAX: (408) 284-2775
Printed in U.S.A.
©2007 Integrated Device Technology, Inc.

DISCLAIMER

Integrated Device Technology, Inc. reserves the right to make changes to its products or specifications at any time, without notice, in order to improve design or performance and to supply the best possible product. IDT does not assume any responsibility for use of any circuitry described other than the circuitry embodied in an IDT product. The Company makes no representations that circuitry described herein is free from patent infringement or other rights of third parties which may result from its use. No license is granted by implication or otherwise under any patent, patent rights or other rights, of Integrated Device Technology, Inc.

Boards that fail to function should be returned to IDT for replacement. Credit will not be given for the failed boards nor will a Failure Analysis be performed.

LIFE SUPPORT POLICY

Integrated Device Technology's products are not authorized for use as critical components in life support devices or systems unless a specific written agreement pertaining to such intended use is executed between the manufacturer and an officer of IDT.

1. Life support devices or systems are devices or systems which (a) are intended for surgical implant into the body or (b) support or sustain life and whose failure to perform, when properly used in accordance with instructions for use provided in the labeling, can be reasonably expected to result in a significant injury to the user.
2. A critical component is any components of a life support device or system whose failure to perform can be reasonably expected to cause the failure of the life support device or system, or to affect its safety or effectiveness.

IDT, the IDT logo, and Integrated Device Technology are trademarks or registered trademarks of Integrated Device Technology, Inc.



Notes

Description of the EB4T4 Eval Board

Introduction 1-1
 Board Features 1-2
 Hardware 1-2
 Software..... 1-2
 Other..... 1-2
 Revision History 1-2

Installation of the EB4T4 Eval Board

EB4T4 Installation 2-1
 Hardware Description 2-1
 Host System 2-1
 Reference Clocks..... 2-1
 Power Sources..... 2-3
 Vaux Support 2-3
 PCI Express Serial Data Transmit Termination Voltage Converter 2-5
 PCI Express Digital Power Voltage Converter 2-5
 PCI Express Analog Power Voltage Converter 2-5
 Core Logic Voltage Converter 2-5
 3.3V I/O Power Module..... 2-5
 Power-up Sequence 2-5
 Required Jumpers 2-5
 Reset..... 2-5
 Fundamental Reset 2-5
 Downstream Reset 2-6
 Boot Configuration Vector 2-6
 SMBus Interfaces..... 2-7
 SMBus Master Interface 2-7
 Attention Buttons..... 2-7
 Miscellaneous Jumpers, Headers 2-8
 LEDs 2-9
 PCI Express Connectors..... 2-10
 EB4T4 Board Figure 2-12

Software for the EB4T4 Eval Board

Introduction 3-1
 Device Management Software..... 3-1

Schematics

Schematics 4-1

Notes



Notes

Table 2.1	Clock Source Selection	2-1
Table 2.2	Spread Spectrum Clock Selection	2-2
Table 2.3	SMA Connectors - Onboard Reference Clock	2-2
Table 2.4	Downstream Reset Selection	2-6
Table 2.5	Boot Configuration Vector Signals	2-6
Table 2.6	Boot Configuration Vector Switches S3 and S5 (ON=0, OFF=1)	2-7
Table 2.7	JTAG Connector Pin Out	2-7
Table 2.8	Attention Buttons	2-8
Table 2.9	Miscellaneous Jumpers, Headers	2-8
Table 2.10	LED Indicators	2-9
Table 2.11	PCI Express x4 Connector Pinout	2-10
Table 2.12	PCI Express x1 Connector Pinout	2-11

Notes



List of Figures

Notes

Figure 1.1	Function Block Diagram of the EB4T4 Eval Board	1-1
Figure 2.1	Clock Distribution Block Diagram	2-2
Figure 2.2	Power Distribution Block Diagram	2-3
Figure 2.3	APWRDIS# Timing	2-4
Figure 2.4	APWRDIS# Timing Circuit	2-4

Notes



Description of the EB4T4 Eval Board

Notes

Introduction

The 89HPES4T4 switch (also referred to as PES4T4 in this manual) is a member of IDT's PCI Express® standard (PCIe®) based line of products. It is an 4-lane, 4-port switch. One upstream port is provided for connecting to the root complex (RC), and up to three downstream ports are available for connecting to PCIe endpoints or to another switch. More information on this device can be found in the 89HPES4T4 User Manual.

The 89BPES4T4 Evaluation Board (also referred to as EB4T4 in this manual) provides an evaluation platform for the PES4T4 switch. It is also a cost effective way to add a PCIe downstream port (x1) to an existing system with a limited number of PCIe downstream ports. The EB4T4 eval board is designed to function as an add-on card to be plugged into a x1 PCIe slot available on a motherboard hosting an appropriate root complex, microprocessor(s), and three downstream ports. The EB4T4 is a vehicle to test and evaluate the functionality of the PES4T4 chip. Customers can use this board to get a headstart on software development prior to the arrival of their own hardware. The EB4T4 is also used by IDT to reproduce system-level hardware or software issues reported by customers. Figure 1.1 illustrates the functional block diagram representing the main parts of the EB4T4 board.

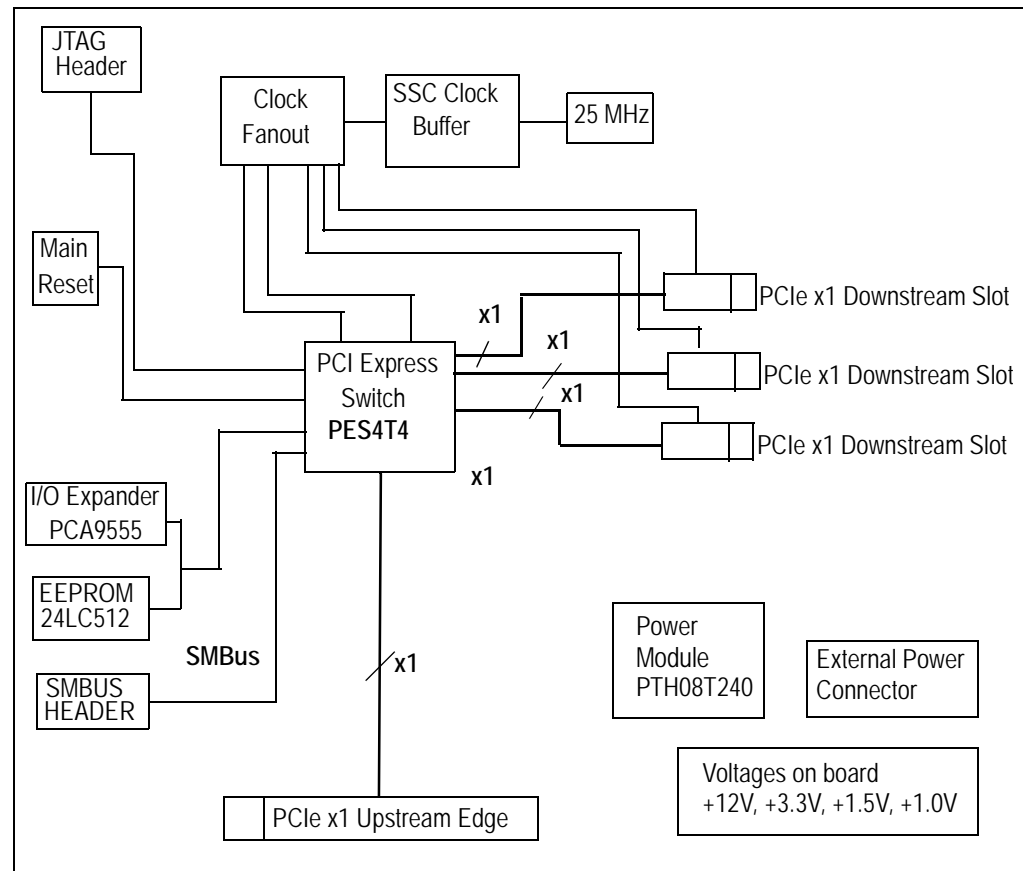


Figure 1.1 Function Block Diagram of the EB4T4 Eval Board

Notes

Board Features

Hardware

- ◆ **PES4T4 PCIe 4 port switch**
 - Four ports (x1), 4 PCIe lanes
 - PCIe Base Specification Revision 1.1 compliant
 - Integrates four 2.5 Gbps embedded SerDes
 - Up to 256 byte maximum Payload Size
 - Automatic polarity inversion supported on all lanes
 - Load configuration from an optional serial EEPROM via SMBUS
- ◆ **Upstream, Downstream Port**
 - One edge connector on the upstream port, to be plugged into a x1 slot on a host motherboard
 - Three slot connectors on the downstream ports, for PCIe endpoint add-on cards to be plugged in.
- ◆ **Numerous user selectable configurations set using onboard jumpers and DIP-switches**
 - Source of clock - host clock or onboard clock generator
 - One clock rate (100 MHz) and spread spectrum setting
 - Boot mode selection
- ◆ **Vaux Support**
- ◆ **SMBUS Master Interface connected to the Serial EEPROMs through I/O expander**
- ◆ **“Attention” button for each downstream port to initiate a hot swap event on each port**
- ◆ **Four pin connector for optional external power supply**
- ◆ **Push button for Warm Reset**
- ◆ **Several LEDs to display status, reset, power, “Attention”, etc.**
- ◆ **One 10-pin JTAG connector (pitch 2.54 mm x 2.54 mm)**

Software

There is no software or firmware executed on the board. However, useful software is provided along with the Evaluation Board to facilitate configuration and evaluation of the PES4T4 within host systems running popular operating systems.

- ◆ **Installation programs**
 - *Operating Systems Supported: Windows2000, WindowsXP, Linux*
- ◆ **GUI based application for Windows and Linux**
 - *Allows users to view and modify registers in the PES4T4*
 - *Binary file generator for programming the serial EEPROMs attached to the SMBUS.*

Other

- ◆ A metal bracket is required to firmly hold in place the three endpoints plugged into the EB4T4 board.
- ◆ An external power supply may be required under some conditions.
- ◆ SMBUS cable may be required for certain evaluation exercises.
- ◆ SMA connectors are provided on the EB4T4 board for specific test points.

Revision History

August 20, 2007: Initial publication of board manual.



Installation of the EB4T4 Eval Board

Notes

EB4T4 Installation

This chapter discusses the steps required to configure and install the EB4T4 evaluation board. All available DIP switches and jumper configurations are explained in detail.

The primary installation steps are:

1. Configure jumper/switch options suitable for the evaluation or application requirements.
2. Connect PCI Express endpoint cards to the downstream port PCIe slots on the evaluation board.
3. Insert the evaluation board into the host system (motherboard with root complex chipset).
4. Apply power to the host system.

The EB4T4 board is shipped with all jumpers and switches configured to their default settings. In most cases, the board does not require further modification or setup.

Hardware Description

The PES4T4 is an 4-lane, 4-port PCI Express® switch. It is a peripheral chip that performs PCI Express based switching with a feature set optimized for high performance applications such as servers and storage. It provides fan-out and switching functions between a PCI Express upstream port and three downstream ports or peer-to-peer switching between downstream ports.

The EB4T4 has three PCI Express downstream ports, accessible through three x4 open-ended connectors.

Basic requirements for the board to run are:

- *Host system with a PCI Express root complex supporting x4 configuration through a PCI Express x1 slot.*
- *PCI Express Endpoint Cards capable of training x1 link.*

Host System

The evaluation board cannot be operated as a standalone unit. A host system implementing a PCI Express root complex supporting x1 configuration through a PCI Express x1 slot is required to take full advantage of the PES4T4's capabilities.

Reference Clocks

The PES4T4 uses one differential reference clock (100 MHz). The EB4T4 derives this clock from a common source which is user-selectable. The common source can be either the host system's reference clock or the onboard clock generator. Selection is made by resistors described in Table 2.1.

Clock Configuration R32, R53, R51, R62	
Installed	Clock Source
R32, R53	Onboard Reference Clock – Use onboard clock generator
R51, R62	Upstream Reference Clock – Host system provides clock (Default)

Table 2.1 Clock Source Selection

Notes

The source for the onboard clock is the ICS9FG104 clock generator device (U8) connected to a 25MHz oscillator (Y1). When using the onboard clock generator, the EB4T4 allows the selection of spread spectrum settings via DIP switches as described in Table 2.2 . Spread Spectrum technology reduces peak EMI emissions by modulating the frequency to spread the peak energy over a wider bandwidth.

Clock Spread Spectrum Switch - S3[2]	
S3[2]	Spread Spectrum
OFF	Enable Spread Spectrum
ON	Disable Spread Spectrum (Default)

Table 2.2 Spread Spectrum Clock Selection

If the Clock Spread Spectrum is used to modulate data rate, then both ports must use same modulated clock source. Therefore, if your system uses SSC, the on-board clock generator must be disabled and the upstream reference clock should be used instead.

The output of the onboard clock generator is accessible through two SMA connectors located on the Evaluation Board. See Table 2.3. This can be used to connect a scope for probing or capturing purposes and cannot be used to drive the clock from an external source.

Onboard Reference Clock Output (Differential) - J3, J1	
J3	Positive Reference Clock
J1	Negative Reference Clock

Table 2.3 SMA Connectors - Onboard Reference Clock

Figure 2.1 illustrates the clock distribution block diagram for the EB4T4 evaluation board.

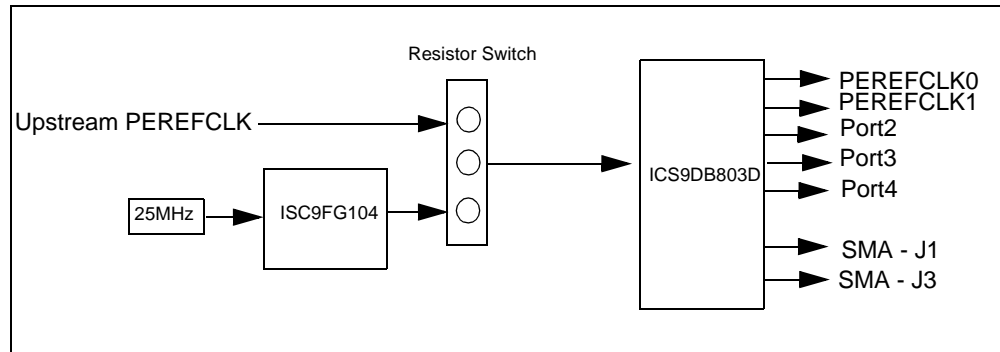


Figure 2.1 Clock Distribution Block Diagram

Notes

Power Sources

Power for the EB4T4 is generated from the 12.0V PCI Express upstream slot power or optionally from 3.3Vaux. A 12.0V to 3.3V DC-DC converter will be used to provide power to four DC-DC converters to generate VDDcore, VDDpe, VDDpea, and VTT voltages. The 3.3V from the 12.0V converter is used to power VDDio. When in power down mode the DC-DC converters is powered directly from 3.3Vaux through a MOSFET switch.

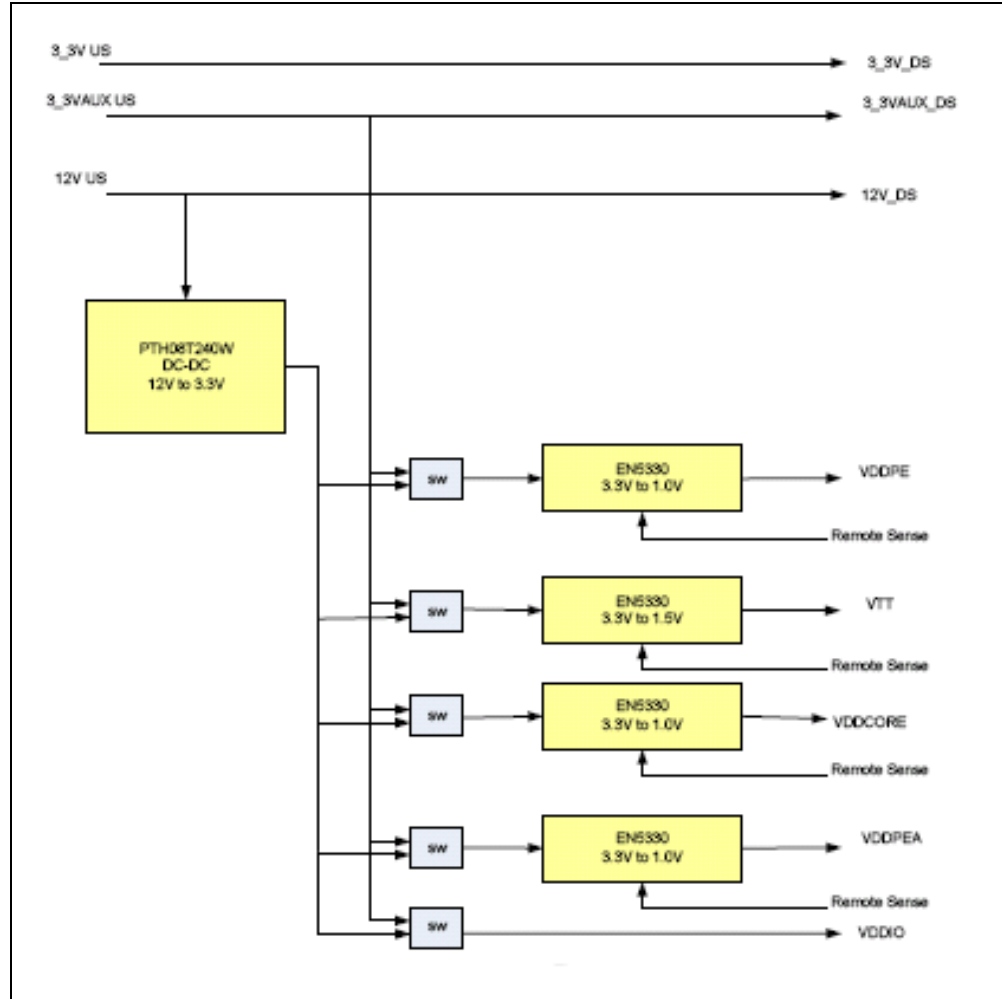


Figure 2.2 Power Distribution Block Diagram

Vaux Support

Power supply support will be provided to EB4T4 from 12.0V upstream power to 3.3Vaux upstream power when in sleep mode. The WAKE# signal direction, both an input and output will be supported by jumper selection. The APWRDIS# signal for auxiliary power disable requires the following timing on power-up:

Notes

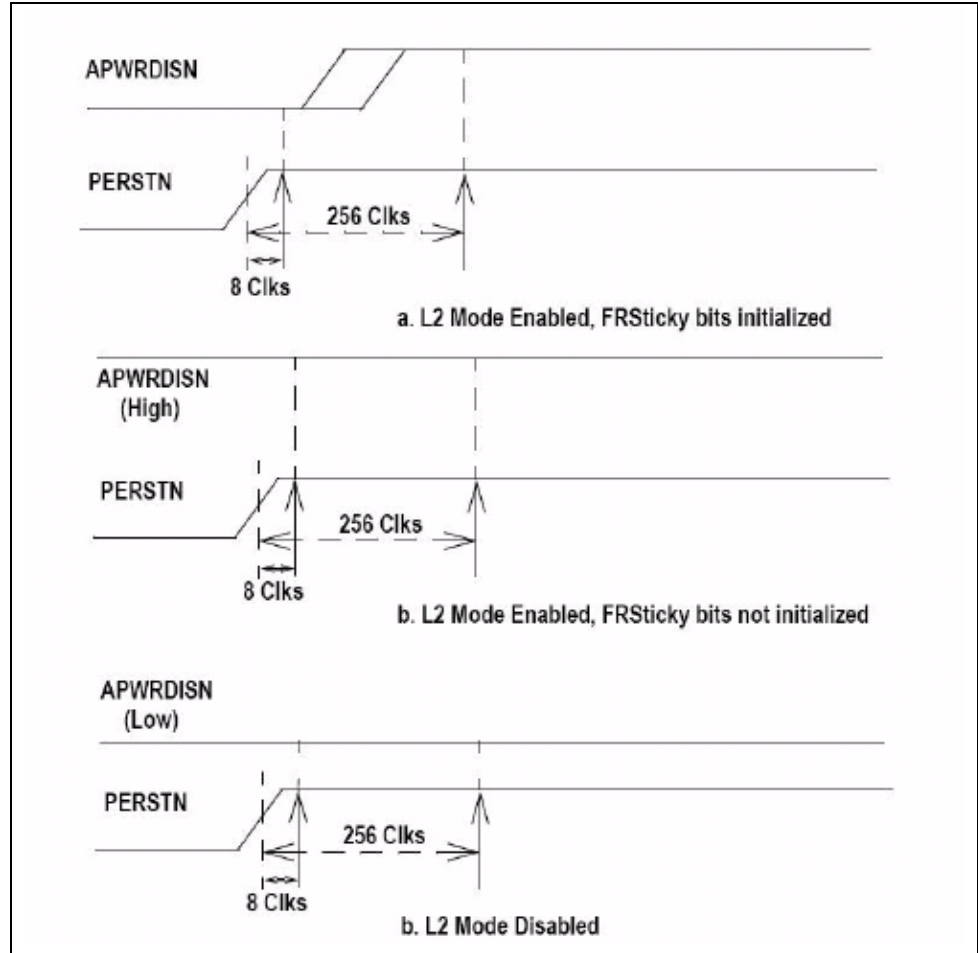


Figure 2.3 APWRDIS# Timing

On initial power up APWRDIS# must be held low initially for 8 clocks after PERST# is removed. Then it must be sampled high 256 clocks after PERSTN# is removed to enable L2 mode. Subsequent PERST# will not affect the APWRDIS# state. This timing will be provided by the following circuit.

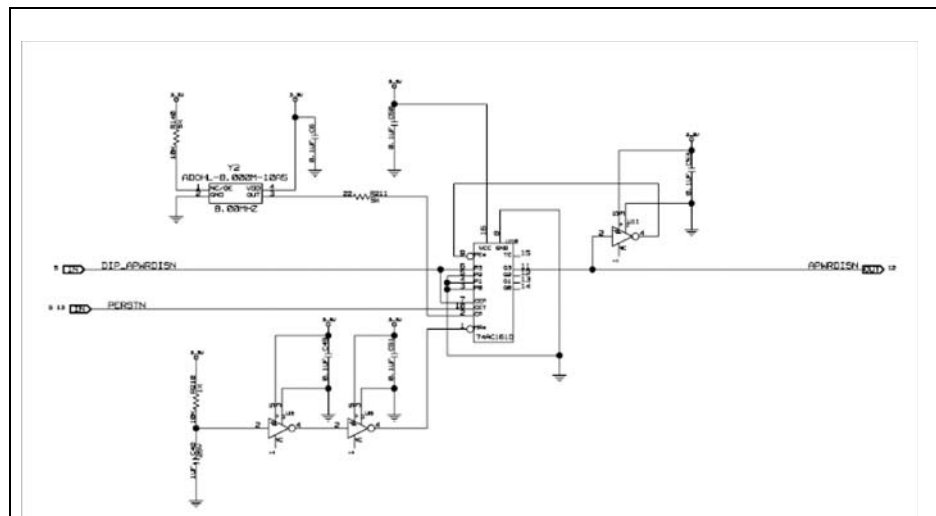


Figure 2.4 APWRDIS# Timing Circuit

Notes

PCI Express Serial Data Transmit Termination Voltage Converter

A DC-DC converter (U6) provides a 1.5V PCI Express serial data transmit termination voltage (shown as VTTPE or VPETVTT) to the PES4T4.

PCI Express Digital Power Voltage Converter

A separate DC-DC converter (U16) provides a 1.0V PCI Express digital power voltage (VDDPE) to the PES4T4.

PCI Express Analog Power Voltage Converter

A separate DC-DC converter (U7) provides a 1.0V PCI Express analog power voltage (shown as VDDAPE or VDDPEA) to the PES4T4.

Core Logic Voltage Converter

A separate DC-DC converter (U1) provides the 1.0V core voltage (VDDCORE) to the PES4T4.

3.3V I/O Power Module

A 12V to 3.3V power module (U5) provides the 3.3V I/O voltage (VDDIO) to the PES4T4.

Power-up Sequence

The power-up sequence must be as following:

1. VDDIO - 3.3V
2. VDDCORE, VDDAPE, VDDPE - 1.0V
3. VTTPE - 1.5V

When powering up, each voltage level must ramp up and stabilize prior to applying the next voltage in the sequence to ensure internal latch-up issues are avoided. There are no maximum time limitations between sequential valid power level requirements. To insure that the sequencing requirements are met, a 0.047 μ F is used at the SOFTSTART cap on the VTTPE's voltage converter (U6 pin 36) in the EB4T4.

Required Jumpers

To deliver power to the PES4T4 switch, the following jumpers must be shunted: W4, W10, W23, W24, and W25. These jumpers were implemented so that the power consumption of the PES4T4 can be measured.

Reset

The PES4T4 supports two types of reset mechanisms as described in the PCI Express specification:

- *Fundamental Reset: This is a system-generated reset that propagates along the PCI Express tree through a single side-band signal PERST# which is connected to the Root Complex, the PES4T4, and the endpoints.*
- *Hot Reset: This is an In-band Reset, communicated downstream via a link from one device to another. Hot Reset may be initiated by software. This is further discussed in the 89HPES8T4 User Manual. The EB4T4 evaluation board provides seamless support for Hot Reset.*

Fundamental Reset

There are two types of Fundamental Resets which may occur on the EB4T4 evaluation board:

- *Cold Reset: During initial power-on, the onboard voltage monitor (TLC7733D) will assert the PCI Express Reset (PERSTN) input pin of the PES4T4.*
- *Warm Reset: This is triggered by hardware while the device is powered on. Warm Reset can be initiated by two methods:*
 - *Pressing a push-button switch (S1) located on EB4T4 board*

Notes

- The host system board IO Controller Hub asserting PERST# signal, which propagates through the PCIe upstream edge connector of the EB4T4. Note that one can bypass the onboard voltage monitor (TLC7733D) by moving the shunt from pin 1-2 to pin 2-3 (default) on W2.

Both events cause the onboard voltage monitor (TLC7733D) to assert the PCI Express Reset (PERSTN) input of the PES4T4 while power is on.

Downstream Reset

The PES4T4 provides a choice of either a software-controlled reset for each downstream port through GPIO pins or a fundamental reset through PERST#. Selection is made by jumpers described in Table 2.4.

Port #	Jumper	Selection
4	W9	[1-2] Software controlled reset through GPIO1 [2-3] Fundamental reset PERST# (default)
3	W6	[1-2] Software controlled reset through GPIO9 [2-3] Fundamental reset PERST# (default)
2	W7	[1-2] Software controlled reset through GPIO0 [2-3] Fundamental reset PERST# (default)

Table 2.4 Downstream Reset Selection

Boot Configuration Vector

A boot configuration vector consisting of the signals listed in Table 2.5 is sampled by the PES4T4 during a fundamental reset (while PERSTN is active). The boot configuration vector defines the essential parameters for switch operation and is set using DIP switches S3 and S5 as defined in Table 2.6.

Signal	Description
CCLKDS	Common Clock Downstream. When the CCLKDS pin is asserted, it indicates that a common clock is being used between the downstream device and the downstream port. Default: 0x1
CCLKUS	Common Clock Upstream. When the CCLKUS pin is asserted, it indicates that a common clock is being used between the upstream device and the upstream port. Default: 0x1
RSTHALT	Reset Halt. When this signal is asserted during a PCI Express fundamental reset, the PES4T4 executes the reset procedure and remains in a reset state with the Master SMBus active. This allows software to read and write registers internal to the device before normal device operation begins. The device exits the reset state when the RSTHALT bit is cleared in the P0_SWCTL register through the SMBus. The value may be overridden by modifying the RSTHALT bit in the P0_SWCTL register. Default: 0x0
SWMODE[2:0]	Switch Mode. These configuration pins determine the PES4T4 switch operating mode. Default: 0x1 0x0 - Normal switch mode 0x1 - Normal switch mode with Serial EEPROM-based initialization 0x2 through 0x8 - Reserved
APWRDIS#	Auxiliary Power Disable. When this pin is active, it disables the device from using auxiliary power supply. Default: 0x0

Table 2.5 Boot Configuration Vector Signals

Notes

Signal	Description	Default
S3[4]	CCLKDS	OFF
S3[5]	CCLKUS	OFF
S5[6]	RSTHALT	ON
S5[1]	SWMODE[0]	ON
S5[2]	SWMODE[1]	ON
S5[3]	SWMODE[2]	ON
S5[5]	APWRDIS#	ON

Table 2.6 Boot Configuration Vector Switches S3 and S5 (ON=0, OFF=1)

SMBus Interfaces

The System Management Bus (SMBus) is a two-wire interface through which various system component chips can communicate. It is based on the principles of operation of I²C. Implementation of the SMBus signals in the PCI Express connector is optional and may not be present on the host system. The SMBus interface consist of an SMBus clock pin and SMBus data pin.

SMBus Master Interface

Connected to the master SMBus interface are four 16-bit I/O Expanders (PCA9555) and a serial EEPROM (24LC512). Four I/O Expanders are used as the interface for the onboard hot-plug controllers (MIC2591B). The Master SMBus interface provides connection to the external serial EEPROMs used for initialization and the I/O expander used for hot-plug signals.

The bus address for the selected EEPROM device is 0b1010011 by default.

The PES4T4 provides a JTAG connector J4 for access to the PES4T4 JTAG interface. The connector is a 2.54 x 2.54 mm pitch male 10-pin connector. Refer to Table 2.9 for the JTAG Connector J2 pin out.

JTAG Connector J2					
Pin	Signal	Direction	Pin	Signal	Direction
1	/TRST - Test reset	Input	2	GND	—
3	TDI - Test data	Input	4	GND	—
5	TDO - Test data	Output	6	GND	—
7	TMS - Test mode select	Input	8	GND	—
9	TCK - Test clock	Input	10	GND	—

Table 2.7 JTAG Connector Pin Out

Attention Buttons

The PES4T4 features four attention buttons, shown in Table 2.10. Each button corresponds to a particular port and is used to initiate hot-swapping events.

Notes

Button	Description
SW3	Port 4 Attention Button
SW2	Port 3 Attention Button
SW1	Port 2 Attention Button

Table 2.8 Attention Buttons

Miscellaneous Jumpers, Headers

Miscellaneous Jumpers, Headers			
Ref. Designator	Type	Default	Description
S2[1]	Switch	OFF	Port2: Manually-operated Retention Latch
S2[2]	Switch	OFF	Port3: Manually-operated Retention Latch
S2[3]	Switch	OFF	Port4: Manually-operated Retention Latch
S6[3]	Switch	OFF	Bypass hot-plug controller - Enables direct power (+12V and +3.3V) to Ports 4 (Default)
S6[2]	Switch	OFF	Bypass hot-plug controller - Enables direct power (+12V and +3.3V) to Ports 3 (Default)
S6[1]	Switch	OFF	Bypass hot-plug controller - Enables direct power (+12V and +3.3V) to Ports 2 (Default)
W32	Header	2-3 Shunted	1-2: Port 2, +3.3V source base on hot-plug controller 2-3: Port 2, +3.3V source from upstream port power
W31	Header	2-3 Shunted	1-2: Port 2, +12V source base on hot-plug controller 2-3: Port 2, +12V source from upstream port power
W30	Header	2-3 Shunted	1-2: Port 2, +3.3Vaux source base on hot-plug controller 2-3: Port 2, +3.3Vaux source from upstream port power
W35	Header	2-3 Shunted	1-2: Port 3, +3.3V source base on hot-plug controller 2-3: Port 3, +3.3V source from upstream port power
W34	Header	2-3 Shunted	1-2: Port 3, +12V source base on hot-plug controller 2-3: Port 3, +12V source from upstream port power
W33	Header	2-3 Shunted	1-2: Port 3, +3.3Vaux source base on hot-plug controller 2-3: Port 3, +3.3Vaux source from upstream port power
W38	Header	2-3 Shunted	1-2: Port4, +3.3V source base on hot-plug controller 2-3: Port 4, +3.3V source from upstream port power
W37	Header	2-3 Shunted	1-2: Port 4, +12V source base on hot-plug controller 2-3: Port 4, +12V source from upstream port power
W36	Header	2-3 Shunted	1-2: Port 4, +3.3Vaux source base on hot-plug controller 2-3: Port 4, +3.3Vaux source from upstream port power
W15	Header	Open	1-2: Select WAKEN# as an input 2-3: Select WAKE# as in output

Table 2.9 Miscellaneous Jumpers, Headers (Part 1 of 2)

Notes

Miscellaneous Jumpers, Headers			
Ref. Designator	Type	Default	Description
W17	Header	Shunted	Power Good Enable Force On jumper for ICS90DB803 clock output enable (OE4#)
W18	Header	Shunted	Power Good Enable Force On jumper for ICS90DB803 clock output enable (OE3#)
W19	Header	Shunted	Power Good Enable Force On jumper for ICS90DB803 clock output enable (OE2#)
W5	Header	Open	Special usage when there is no +12V power supply from the upstream port. Require external power to connector J4.

Table 2.9 Miscellaneous Jumpers, Headers (Part 2 of 2)

LEDs

There are several LED indicators on the EB4T4 which convey status feedback. A description of each is provided in Table 2.13.

Location	Color	Definition
DS87	Green	Port 2: Power-is-good indicator
DS86	Green	Port 3: Power-is-good indicator
DS85	Green	Port 4: Power-is-good indicator
DS83	Amber	Port2: Attention Input indicator
DS82	Amber	Port3: Attention Input indicator
DS81	Amber	Port4: Attention Input indicator
DS79	Green	Port2: Presence Detect indicator
DS78	Green	Port3: Presence Detect indicator
DS77	Green	Port4: Presence Detect indicator
DS64	Amber	Port2: Attention Output indicator
DS63	Amber	Port3: Attention Output indicator
DS62	Amber	Port4: Attention Output indicator
DS57	Green	Port 2: Power indicator
DS56	Green	Port 3: Power indicator
DS55	Green	Port 4: Power indicator
DS91	Red	Port 2: MRL indicator
DS90	Red	Port 3: MRL indicator
DS89	Red	Port 4: MRL indicator
DS95	Red	Port 2: Power Fault indicator
DS94	Red	Port 3: Power Fault indicator
DS93	Red	Port 4: Power Fault indicator

Table 2.10 LED Indicators (Part 1 of 2)

Notes

Location	Color	Definition
DS99	Green	Port 2: Link Up indicator
DS98	Green	Port 3: Link Up indicator
DS97	Green	Port 4: Link Up indicator
DS100	Green	Port 0: Link Up indicator
DS105	Amber	Port0: Link Activity indicator
DS104	Amber	Port2: Link Activity indicator
DS103	Amber	Port3: Link Activity indicator
DS102	Amber	Port4: Link Activity indicator

Table 2.10 LED Indicators (Part 2 of 2)

PCI Express Connectors

Pin	Side A		Side B	
1	+12V	12V power	PRSNT1#	Hot-Plug presence detect
2	+12V	12V power	+12V	12V power
3	RSVD	Reserved	+12V	12V power
4	GND	Ground	GND	Ground
5	SMCLK	SMBus clock	JTAG2	TCK (Test Clock) JTAG i/f clk i/p
6	SMDAT	SMBus Data	JTAG	TDI (Test Data Input)
7	GND	Ground	JTAG	TDO (Test Data Output)
8	+3.3V	3.3V power	JTAG	TMS (Test Mode Select)
9	JTAG1	TRST# (Test/Reset) resets JTAG i/f	+3.3V	3.3V power
10	3.3Vaux	3.3V auxiliary power	+3.3V	3.3V power
11	WAKE#	Signal for Link reactivation	PERST#	Fundamental Reset
Mechanical Key				
12	RSVD	Reserved	GND	Ground
13	GND	Ground	REFCLK+	REFCLK Reference clock
14	PETp0	Transmitter differential	REFCLK-	(differential pair)
15	PETn0	pair, Lane 0	GND	Ground
16	GND	Ground	PERp0	Receiver differential
17	PRSNT2#	Hot-Plug presence detect	PERn0	pair, Lane 0
18	GND	Ground	GND	Ground
19	PETp1	Transmitter differential	RSVD	Reserved
20	PETn1	pair, Lane 1	GND	Ground
21	GND	Ground	PERp1	Receiver differential

Table 2.11 PCI Express x4 Connector Pinout (Part 1 of 2)

Notes

Pin	Side A		Side B	
22	GND	Ground	PERn1	pair, Lane 1
23	PETp2	Transmitter differential	GND	Ground
24	PETn2	pair, Lane 2	GND	Ground
25	GND	Ground	PERp2	Receiver differential
26	GND	Ground	PERn2	pair, Lane 2
27	PETp3	Transmitter differential	GND	Ground
28	PETn3	pair, Lane 3	GND	Ground
29	GND	Ground	PERp3	Receiver differential
30	RSVD	Reserved	PERn3	pair, Lane 3
31	PRSNT2#	Hot-Plug presence detect	GND	Ground
32	GND	Ground	RSVD	Reserved

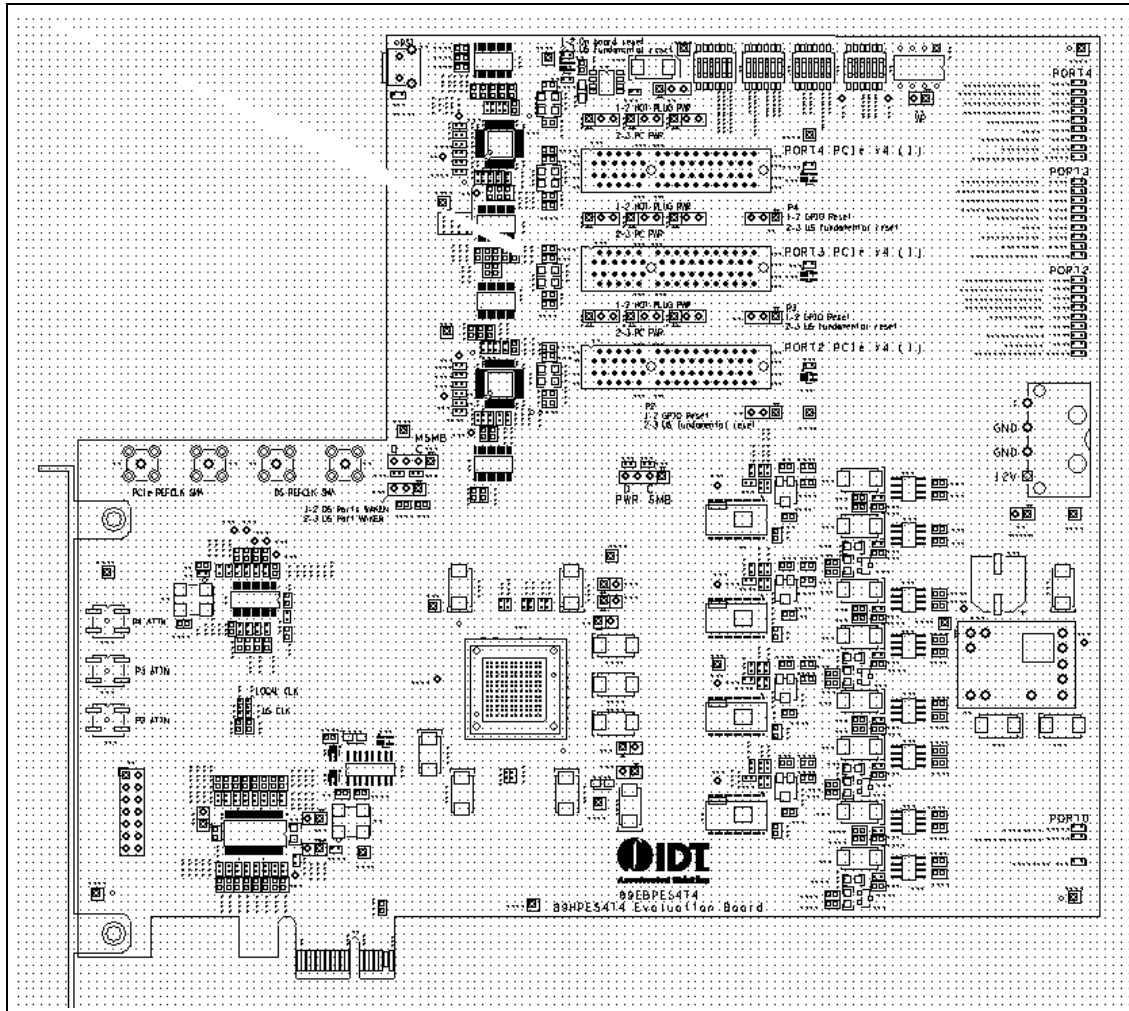
Table 2.11 PCI Express x4 Connector Pinout (Part 2 of 2)

Pin	Side A		Side B	
1	+12V	12V power	PRSNT1#	Hot-Plug presence detect
2	+12V	12V power	+12V	12V power
3	RSVD	Reserved	+12V	12V power
4	GND	Ground	GND	Ground
5	SMCLK	SMBus clock	JTAG2	TCK (Test Clock) JTAG i/f clk i/p
6	SMDAT	SMBus Data	JTAG	TDI (Test Data Input)
7	GND	Ground	JTAG	TDO (Test Data Output)
8	+3.3V	3.3V power	JTAG	TMS (Test Mode Select)
9	JTAG1	TRST# (Test/Reset) resets JTAG i/f	+3.3V	3.3V power
10	3.3Vaux	3.3V auxiliary power	+3.3V	3.3V power
11	WAKE#	Signal for Link reactivation	PERST#	Fundamental Reset
Mechanical Key				
12	RSVD	Reserved	GND	Ground
13	GND	Ground	REFCLK+	REFCLK Reference clock
14	PETp0	Transmitter differential	REFCLK-	(differential pair)
15	PETn0	pair, Lane 0	GND	Ground
16	GND	Ground	PERp0	Receiver differential
17	PRSNT2#	Hot-Plug presence detect	PERn0	pair, Lane 0
18	GND	Ground	GND	Ground

Table 2.12 PCI Express x1 Connector Pinout

Note: These x4 and x1 PCI Express connectors comply with the PCIe specification. The EB4T4 uses x1 connector on all downstream ports. According to the PCI Express specification, the PRSNT1# pin should be wired to the farthest available PRSNT2# pin on the connector. In the EB4T4, all PRSNT2# pins are tied together. This allows the board to be installed in a x1 or a x4 slot. The open-ended x4 slot allows the insertion of physical lane width greater than x4 to be installed without the need of slot reducer.

EB4T4 Board Figure





Software for the EB4T4 Eval Board

Notes

Introduction

This chapter discusses some of the main features of the available software to give users a better understanding of what can be achieved with the EB4T4 evaluation board using the device management software.

Device management software and related user documentation are available on a CD which is included in the Evaluation Board Kit. This information is also available on IDT's FTP site. For more information, contact IDT at ssdhelp@idt.com.

Device Management Software

The primary use of the Device Management Software package is to enable users of the evaluation board to access all the registers in the PES4T4 device. This access can be achieved using the PCI Express in-band configuration cycles through the upstream port on the PES4T4.

This software also enables users to save a snapshot of the current register set into a dump file which can be used for debugging purposes. An export/import facility is also available to create and use "Configuration" files which can be used to initialize the switch device with specific values in specific registers.

A conversion utility is also provided to translate a configuration file into an EEPROM programmable data structure. This enables the user to program an appropriate serial EEPROM with desirable register settings for the PES4T4, and then to populate that EEPROM onto the Evaluation Board. It is also possible to program the EEPROM directly on the Evaluation Board using a feature provided by the software package.

The front end of the Device Management Software is a user-friendly Graphical User Interface which allows the user to quickly read or write the registers of interest. The GUI also permits the user to run the software in "simulation" mode with no real hardware attached, allowing the creation of configuration files for the PES4T4 in the absence of the actual device.

Much of the Device Management Software is written with device-independent and OS-independent code. The software will be guaranteed to work on Linux (/sys interface) and MS Windows XP. It may function flawlessly on various flavors of MS Windows, but may not be validated on all. The fact that the software is device-independent assures its scalability to future PCIe parts from IDT. Once users are familiar with the GUI, they will be able to use the same GUI on all PCIe parts from IDT. This software is customized for each device through an XML device description file which includes information on the number of ports, registers, types of registers, information on bit-fields within each register, etc.

Notes

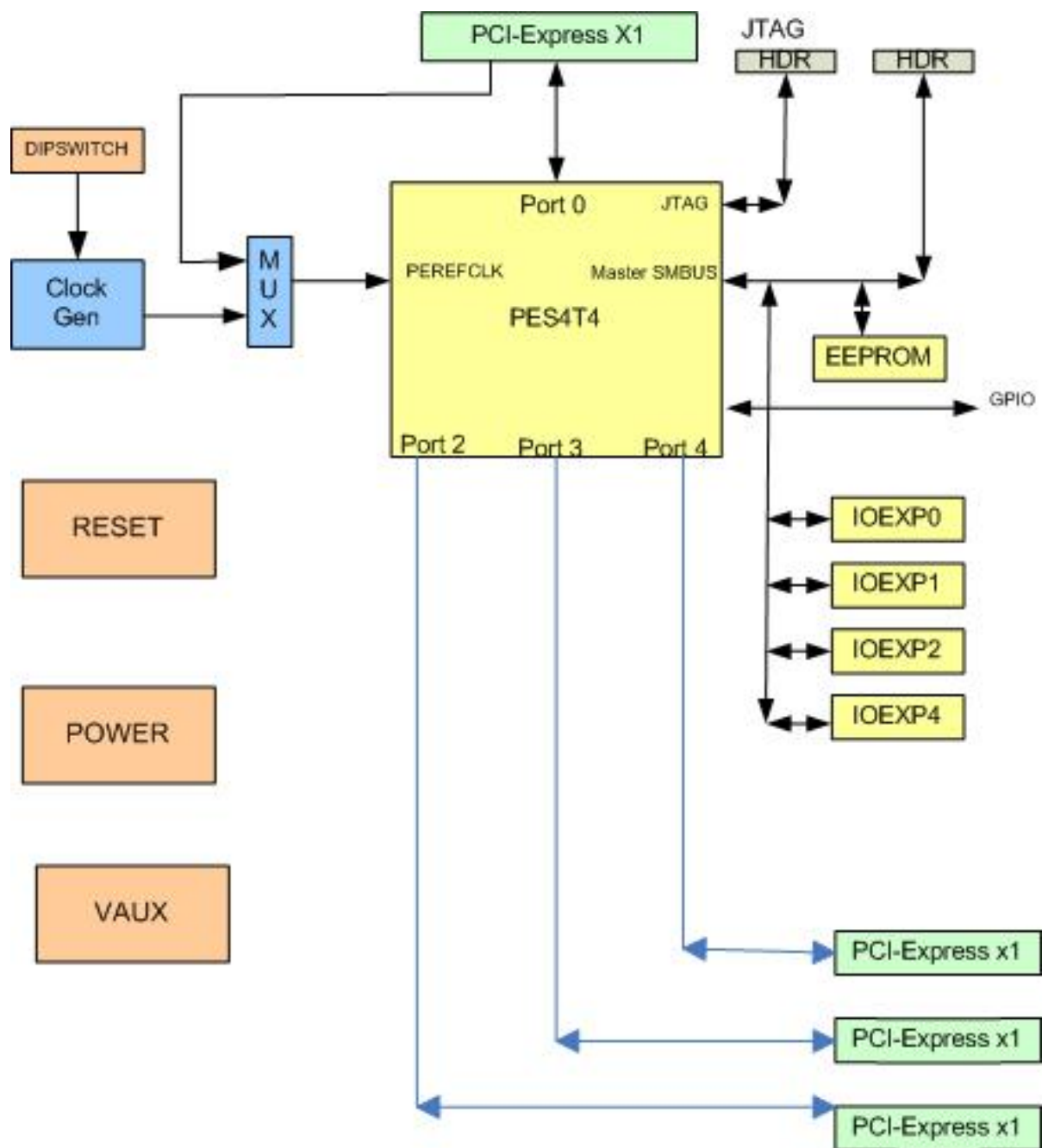


Schematics

Notes

Schematics

REVISIONS				
DCN	REV	DESCRIPTION	DATE	CHANGE BY
STGC-0117	1.0	INITIAL RELEASE	2007-06-18	J. CARRILLO

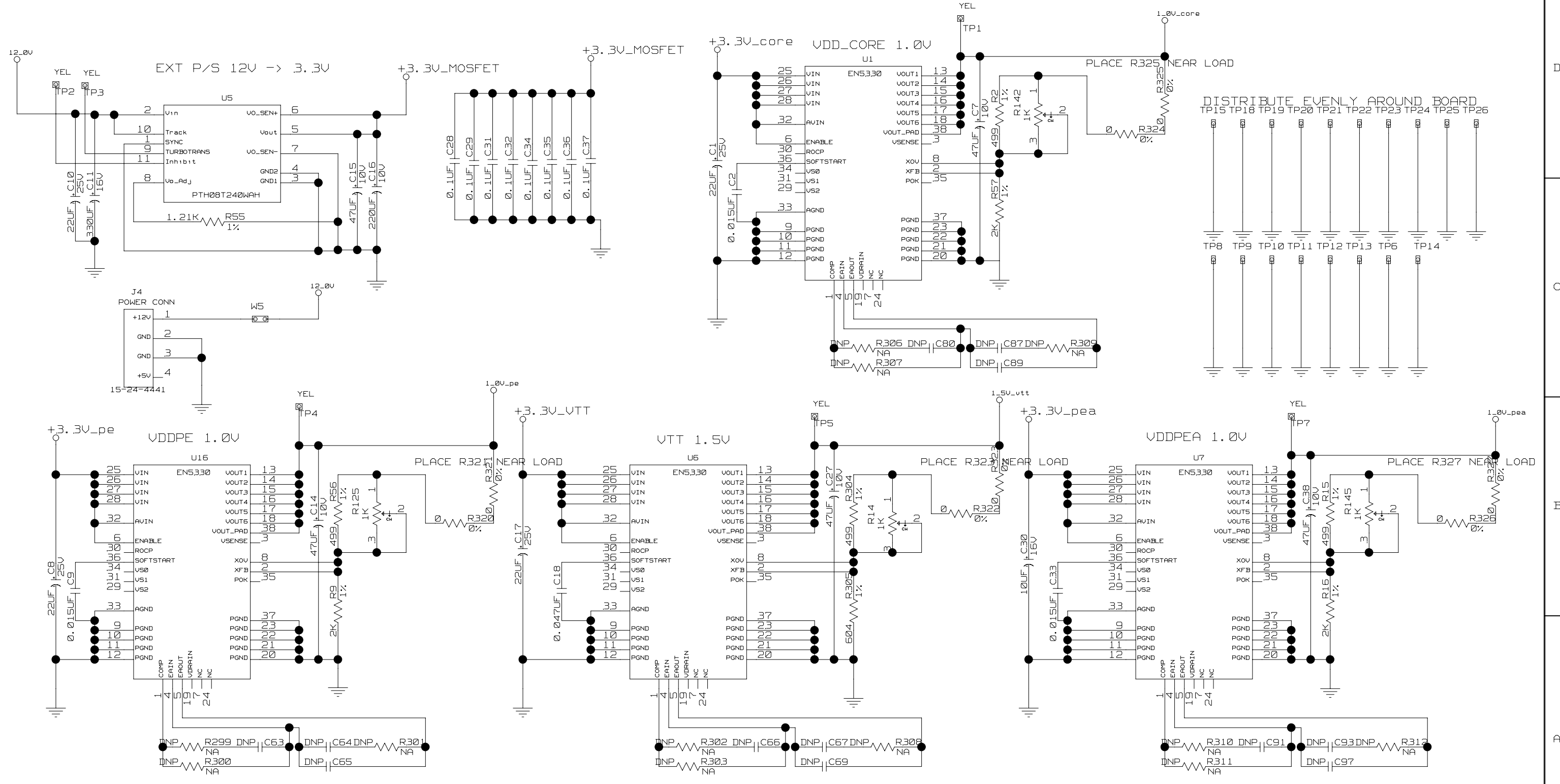


SHEET	DESCRIPTION
1	TABLE OF CONTENTS
2	POWER REGULATORS PES4T4
3	POWER MOSFETS FOR 3.3VAUX
4	CLOCKS
5	RESET, SMBUS, JTAG, DIPSW
6	APWRDISN TIMING CIRCUIT
7	EPROM ATTN_SW WAKE
8	IO EXPANDERS
9	IO EXPANDER LEDS
10	HOT SWAP CONTROL PORT 2/4
11	HOT SWAP CONTROL PORT 3
12	PES4T4 - CLOCK, SMBUS, GPIO
13	PES4T4 - PORT 0
14	PES4T4 - DOWNSTREAM PORTS
15	DOWNSTREAM PORT 2/3 CONNECTORS
16	DOWNSTREAM PORT 4 CONNECTORS
17	PES4T4 - POWER



CONFIDENTIAL PROPERTY OF INTEGRATED DEVICE TECHNOLOGY, INC.
 6024 SILVER CREEK VALLEY RD. SAN JOSE, CA 95138
 COPYRIGHT (C) IDT2007

TITLE 89EBPES4T4 Evaluation Board			
SIZE B	DRAWING NO. STGSCH-00117	FAB P/N 18-637-001	REV. 1.0
AUTHOR J. Carrillo		CHECKED BY D. Huang	
Mon Jun 18 16:31:49 2007			SHEET 1 OF 17

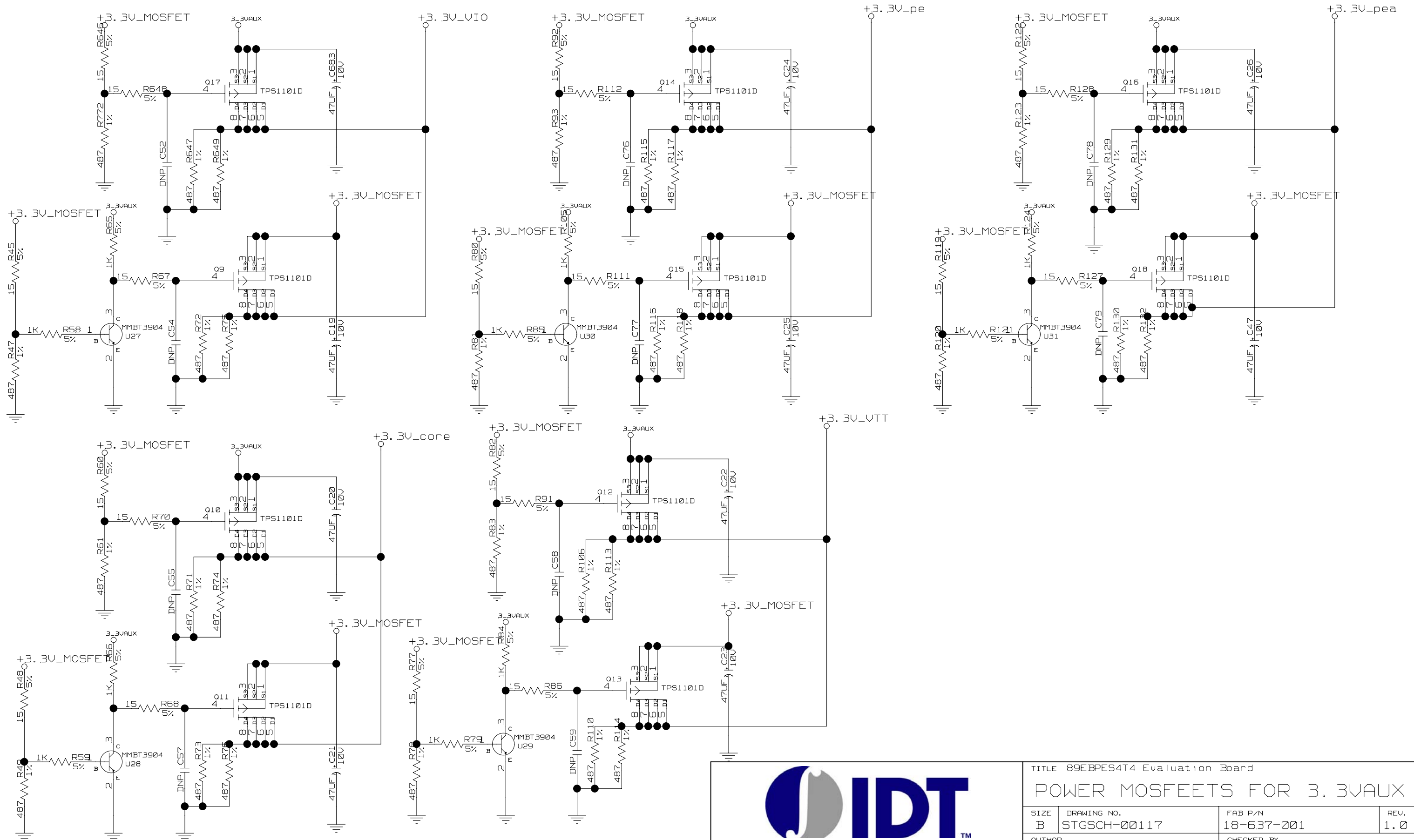


CONFIDENTIAL PROPERTY OF INTEGRATED DEVICE TECHNOLOGY, INC.
 6024 SILVER CREEK VALLEY RD. SAN JOSE, CA 95138
 COPYRIGHT (C) IDT2007

TITLE 89EBPES4T4 Evaluation Board

POWER REGULATORS 4T4

SIZE B	DRAWING NO. STGSCH-00117	FAB P/N 18-637-001	REV. 1.0
AUTHOR J. Carrillo		CHECKED BY D. Huang	
Thu Jul 26 15:56:17 2007		SHEET 2 OF 17	



CONFIDENTIAL PROPERTY OF INTEGRATED DEVICE TECHNOLOGY, INC.
 6024 SILVER CREEK VALLEY RD. SAN JOSE, CA 95138
 COPYRIGHT (C) IDT2007

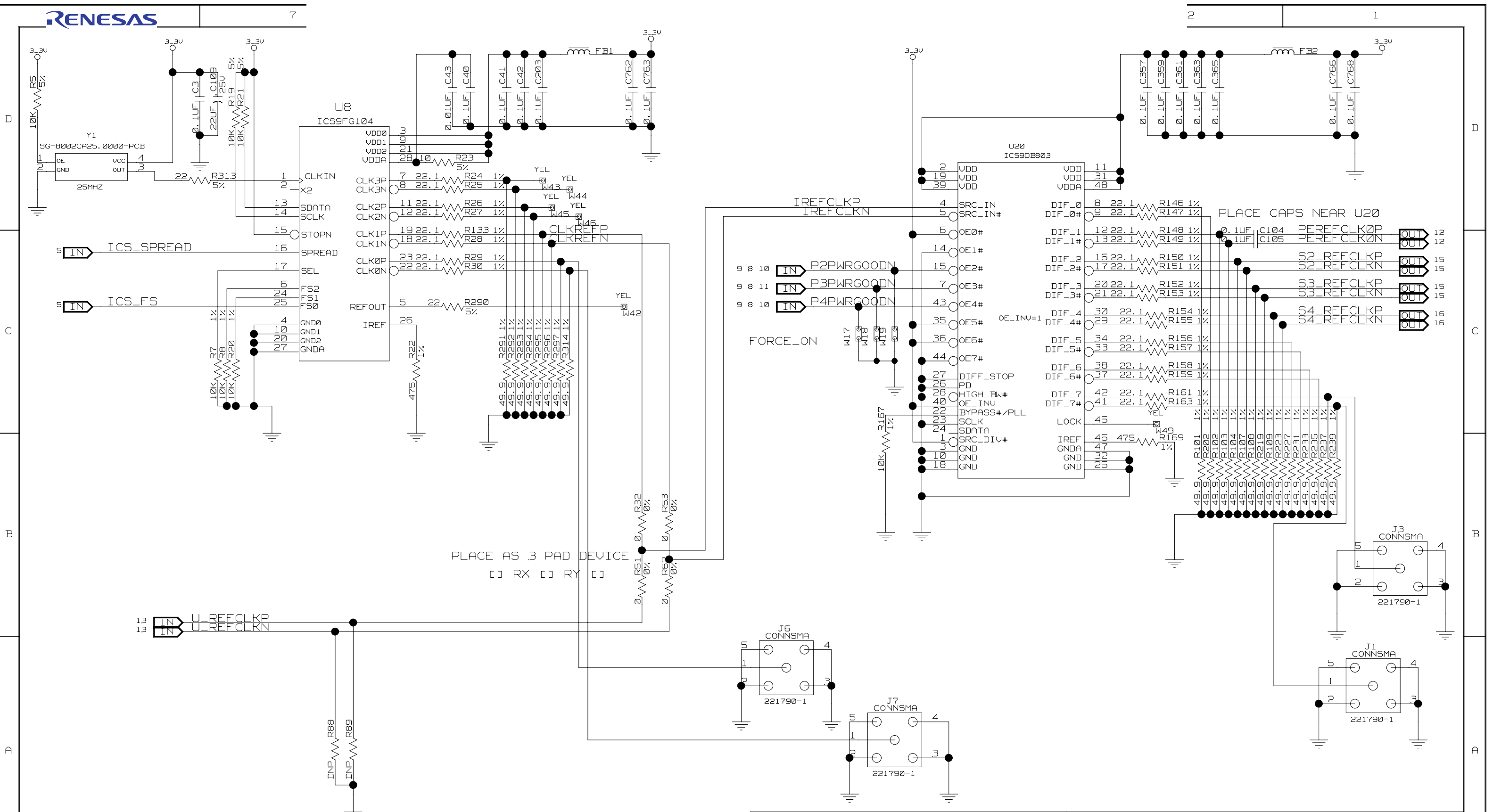
TITLE 89EBPES4T4 Evaluation Board


POWER MOSFETS FOR 3.3V_AUX

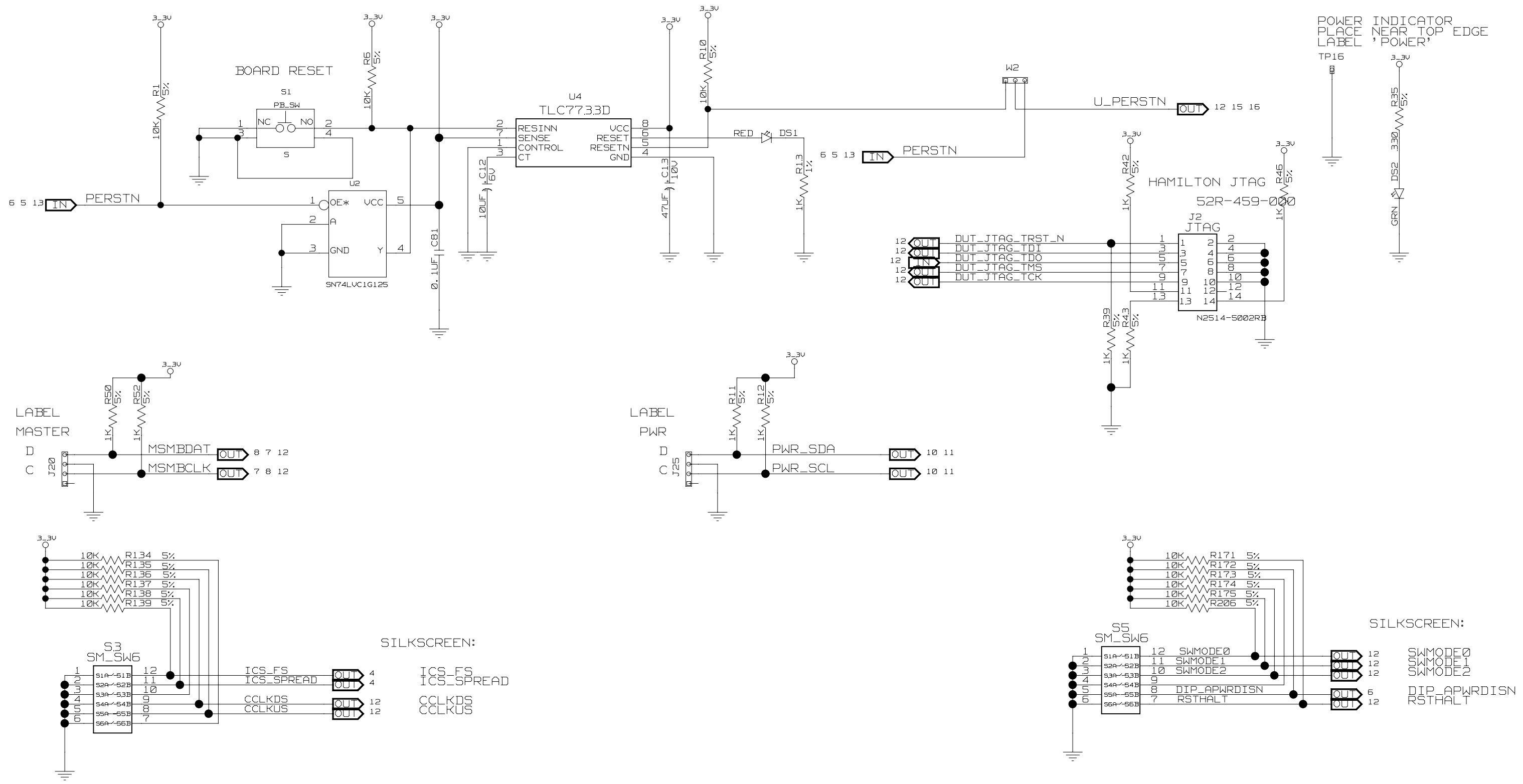
SIZE B	DRAWING NO. STGSCH-00117	FAB P/N 18-637-001	REV. 1.0
-----------	-----------------------------	-----------------------	-------------

AUTHOR J. Carrillo	CHECKED BY D. Huang
-----------------------	------------------------

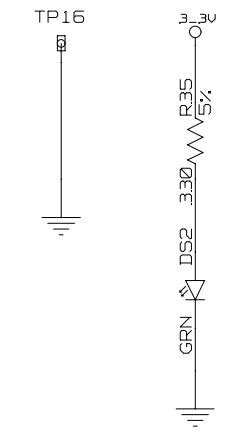
Thu Jul 26 15:56:19 2007 SHEET 3 OF 17



				TITLE 89EBPES4T4 Evaluation Board			
				CLOCKS			
SIZE	DRAWING NO.	FAB P/N	REV.				
B	STGSCH-00117	18-637-001	1.0				
AUTHOR			CHECKED BY				
J. Carrillo			D. Huang				
Thu Jul 26 15:56:20 2007				SHEET 4 OF 17			



POWER INDICATOR
PLACE NEAR TOP EDGE
LABEL 'POWER'



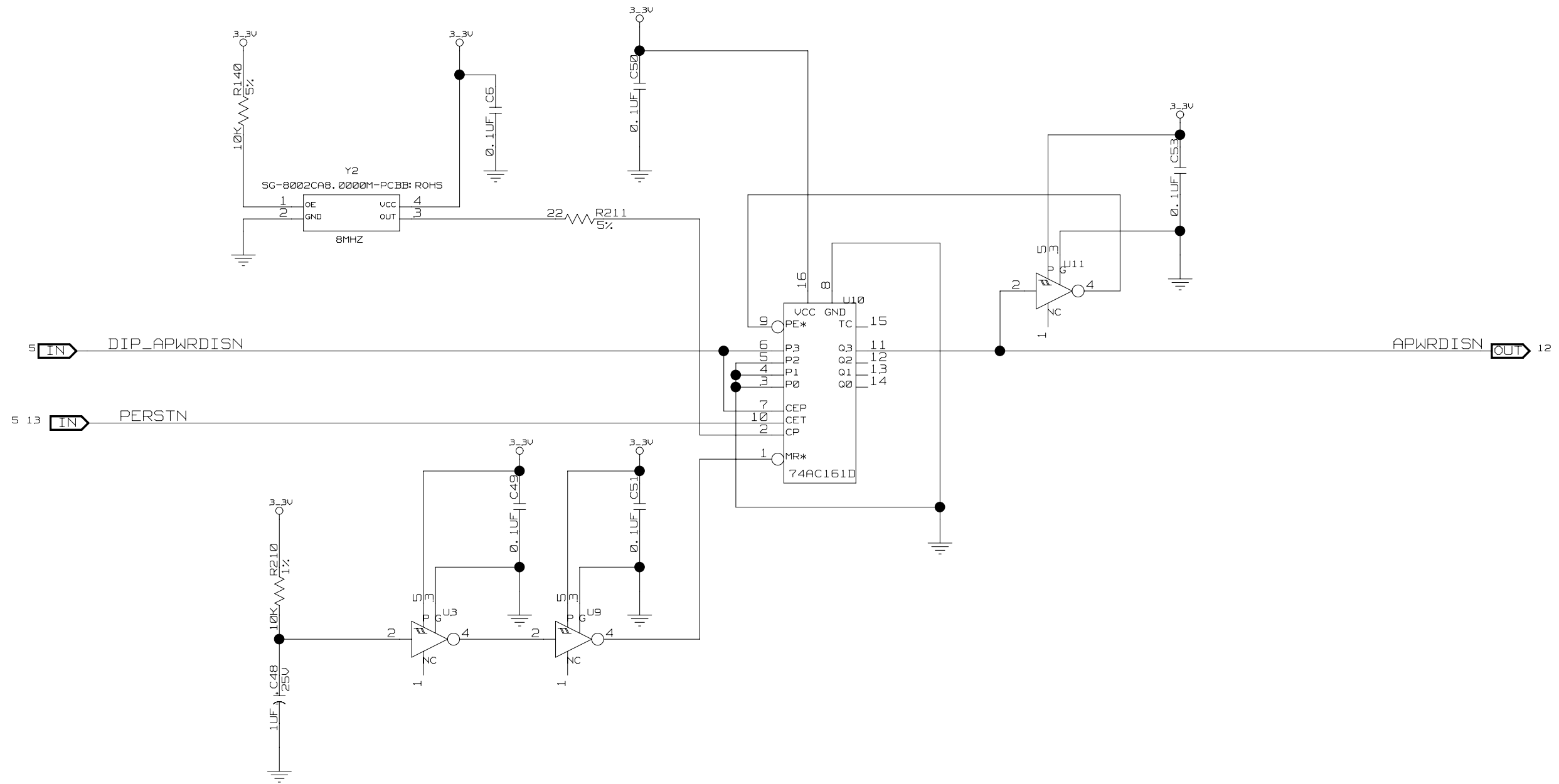
SILKSCREEN:
ICS_FS ICS_SPREAD
CCLKDS CCLKUS

SILKSCREEN:
SWMODE0 SWMODE0
SWMODE1 SWMODE1
SWMODE2 SWMODE2
DIP_APWRDISN DIP_APWRDISN
RSTHALT RSTHALT



CONFIDENTIAL PROPERTY OF INTEGRATED DEVICE TECHNOLOGY, INC.
6024 SILVER CREEK VALLEY RD. SAN JOSE, CA 95138
COPYRIGHT (C) IDT2007

TITLE 89EBPES4T4 Evaluation Board			
RESET, JTAG, SMBUS, DIPSW			
SIZE B	DRAWING NO. STGSCH-00117	FAB P/N 18-637-001	REV. 1.0
AUTHOR J. Carrillo		CHECKED BY D. Huang	
Thu Jul 26 15:56:21 2007			SHEET 5 OF 17



CONFIDENTIAL PROPERTY OF INTEGRATED DEVICE TECHNOLOGY, INC.
 6024 SILVER CREEK VALLEY RD. SAN JOSE, CA 95138
 COPYRIGHT (C) IDT2007

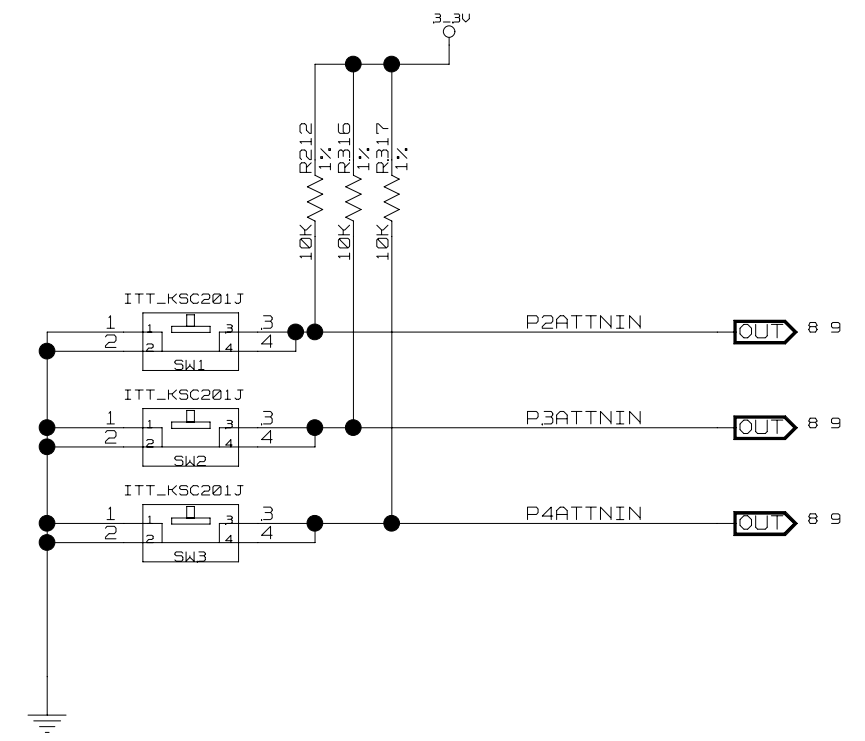
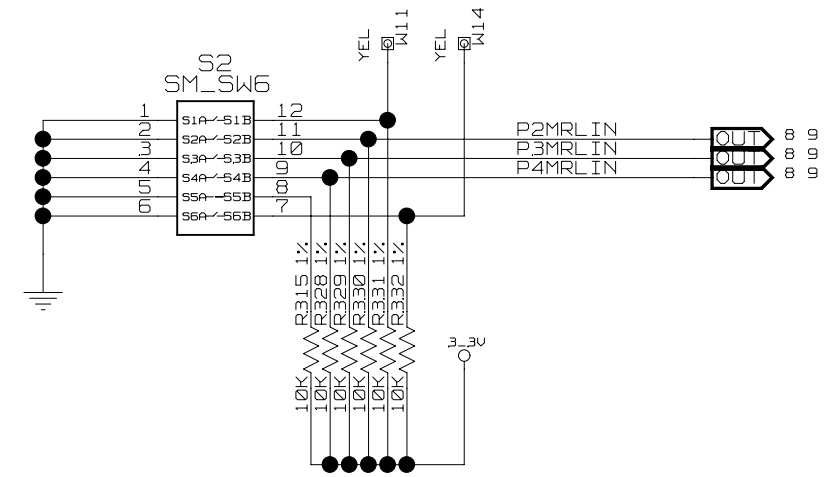
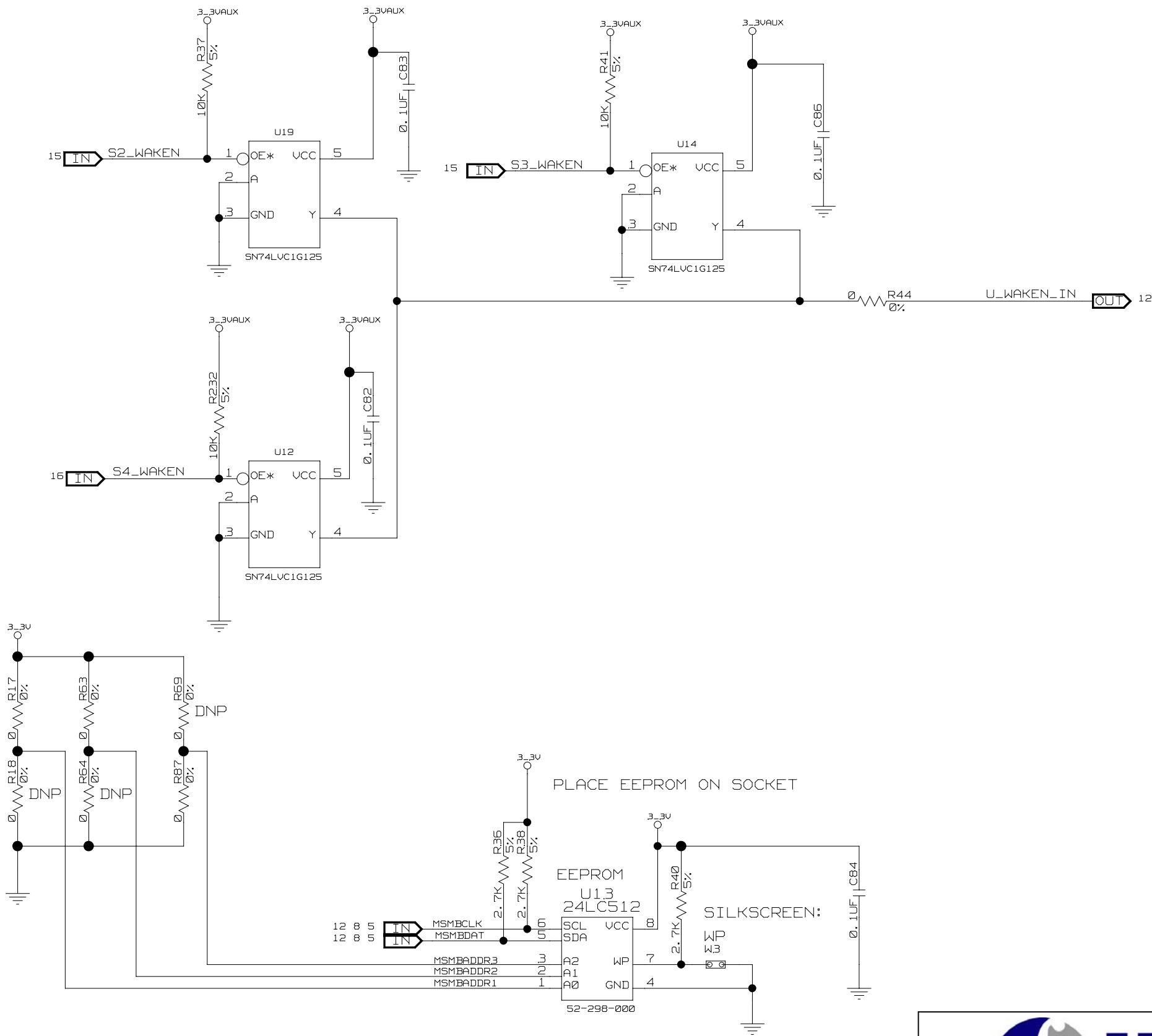
TITLE 89EBPES4T4 Evaluation Board

APWRDSIN TIING CIRCUIT

SIZE B	DRAWING NO. STGSCH-00117	FAB P/N 18-637-001	REV. 1.0
-----------	-----------------------------	-----------------------	-------------

AUTHOR J. Carrillo	CHECKED BY D. Huang
-----------------------	------------------------

Thu Jul 26 15:56:22 2007 SHEET 6 OF 17



CONFIDENTIAL PROPERTY OF INTEGRATED DEVICE TECHNOLOGY, INC.
 6024 SILVER CREEK VALLEY RD. SAN JOSE, CA 95138
 COPYRIGHT (C) IDT2007

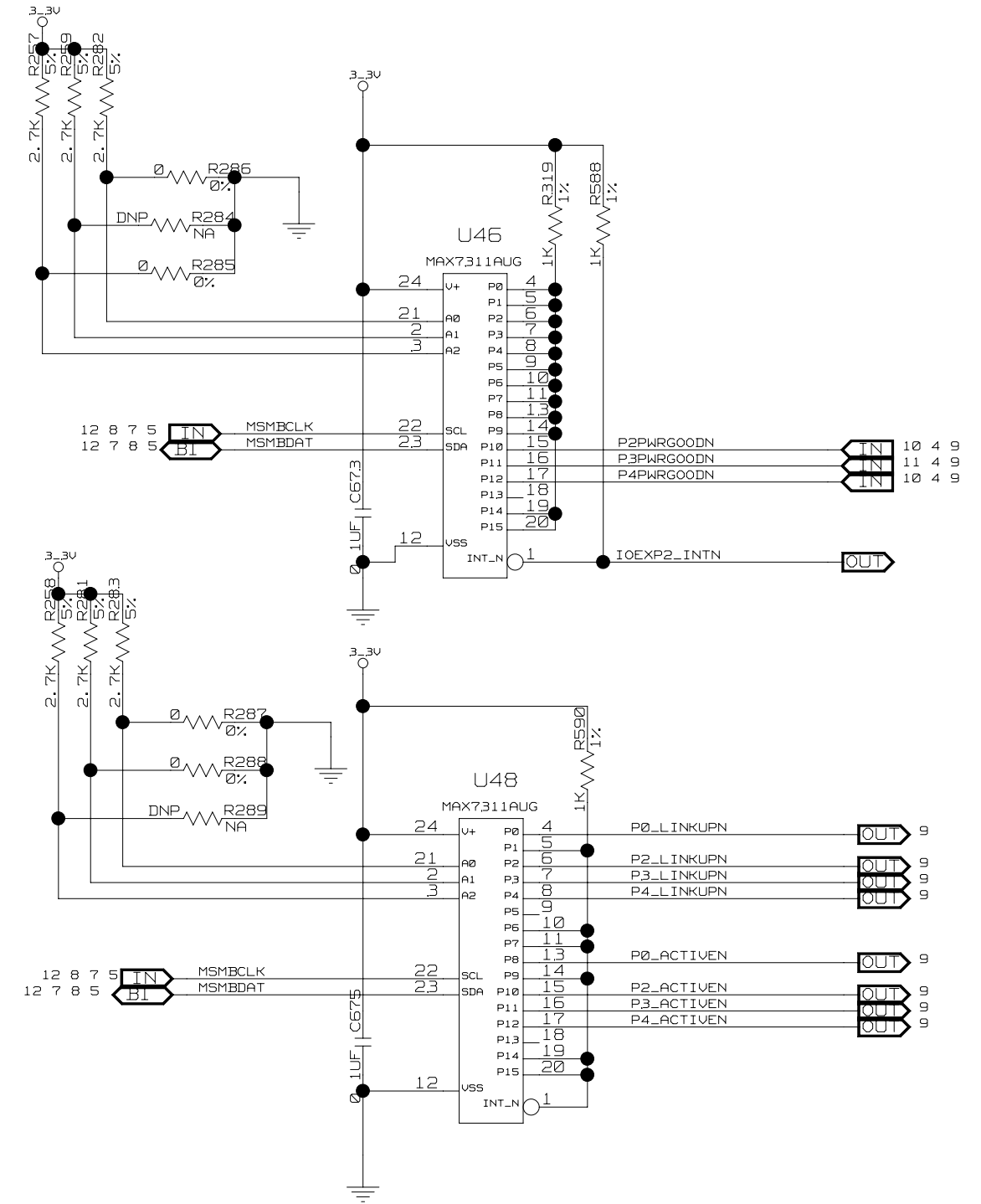
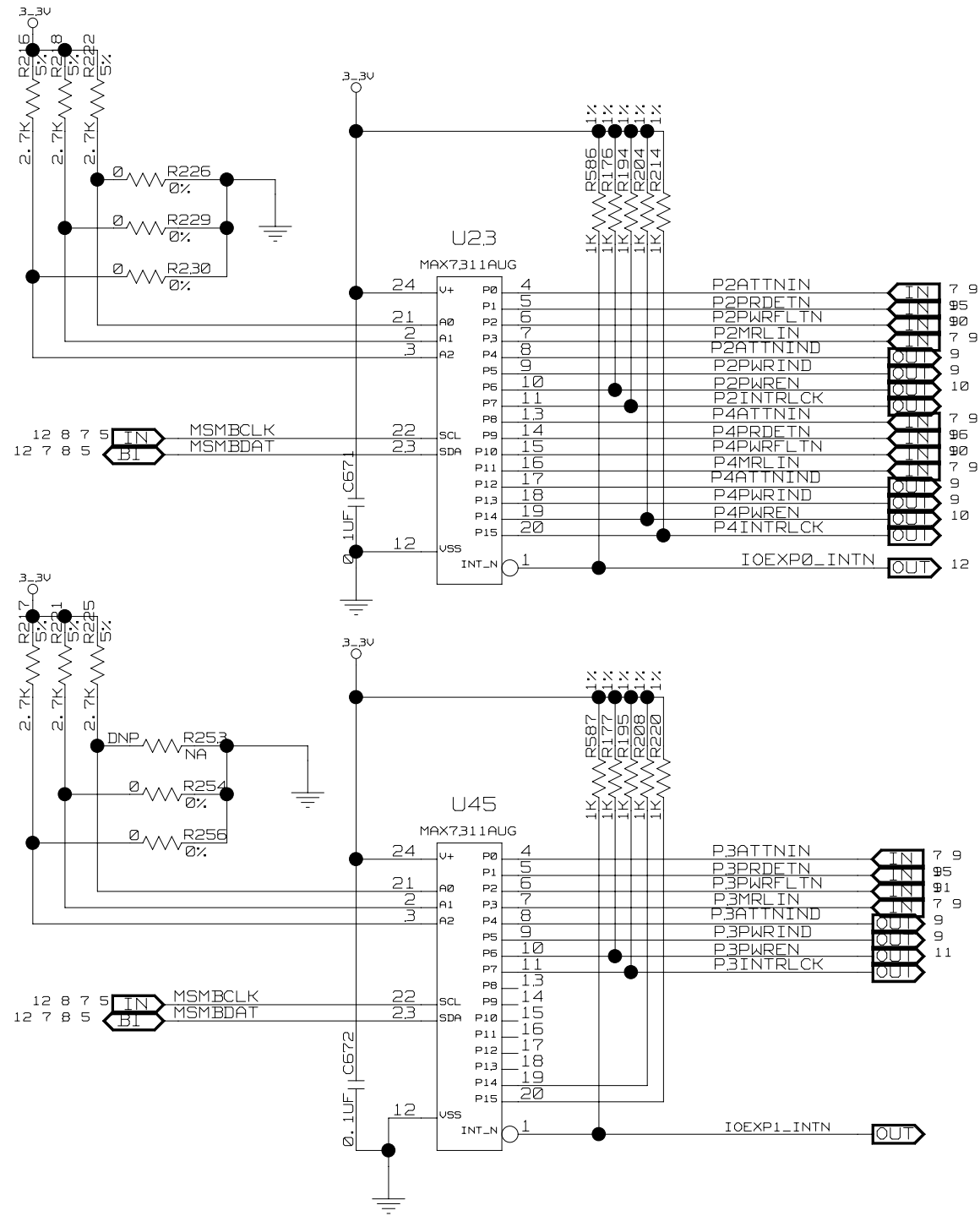
TITLE 89EBPES4T4 Evaluation Board

EEPROM ATTN_SW WAKE MRL

SIZE B	DRAWING NO. STGSCH-00117	FAB P/N 18-637-001	REV. 1.0
-----------	-----------------------------	-----------------------	-------------

AUTHOR J. Carrillo	CHECKED BY D. Huang
-----------------------	------------------------

Thu Jul 26 15:56:22 2007 SHEET 7 OF 17



CONFIDENTIAL PROPERTY OF INTEGRATED DEVICE TECHNOLOGY, INC.
6024 SILVER CREEK VALLEY RD. SAN JOSE, CA 95138
COPYRIGHT (C) IDT2007

TITLE 89EBPES4T4 Evaluation Board

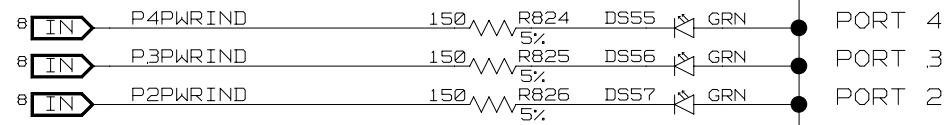
IO EXPANDERS

SIZE B	DRAWING NO. STGSCH-00117	FAB P/N 18-637-001	REV. 1.0
-----------	-----------------------------	-----------------------	-------------

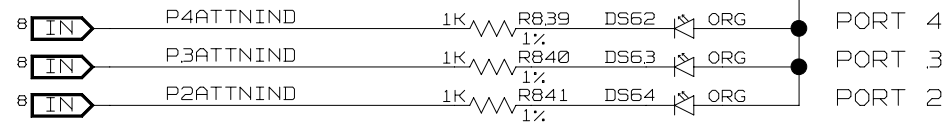
AUTHOR J. Carrillo	CHECKED BY D. Huang
-----------------------	------------------------

Thu Jul 26 15:56:23 2007 SHEET 8 OF 17

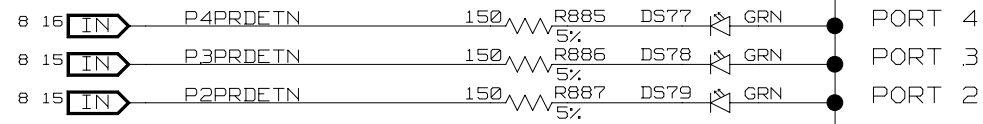
ACTIVE LOW POWER INDICATOR LED (GREEN)



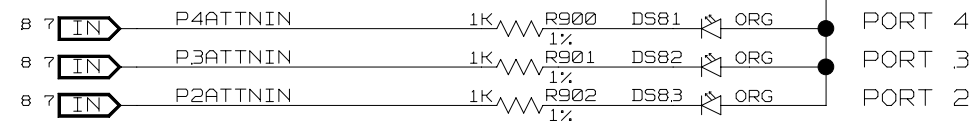
ACTIVE LOW ATTENTION OUTPUT LED (AMBER)



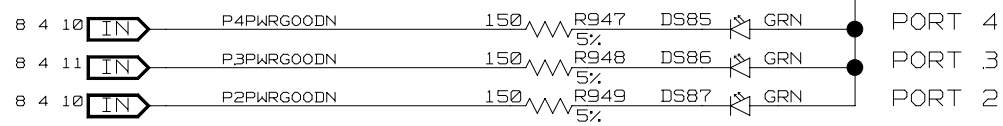
ACTIVE LOW PRESENCE DETECT LED (GREEN)



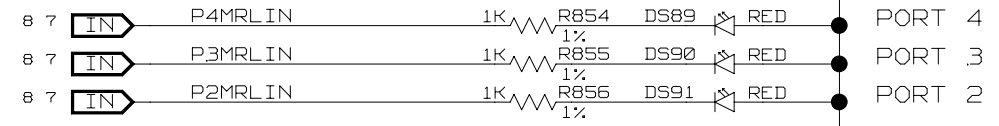
ACTIVE LOW ATTENTION INPUT LED (AMBER)



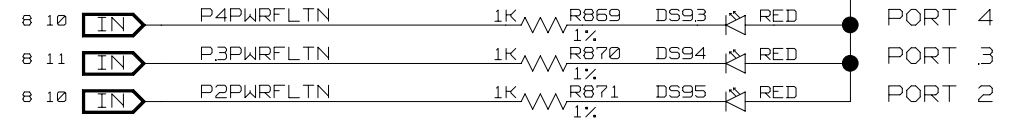
ACTIVE LOW POWER GOOD LED (GREEN)



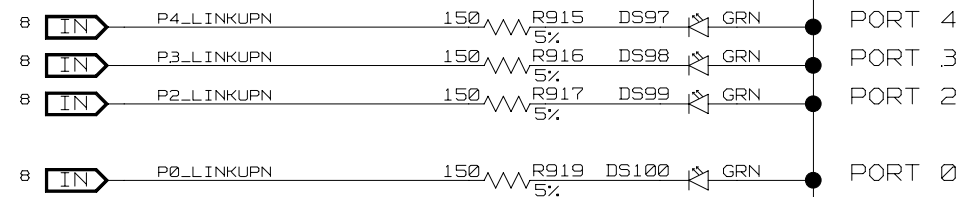
ACTIVE LOW MRL LED (RED)



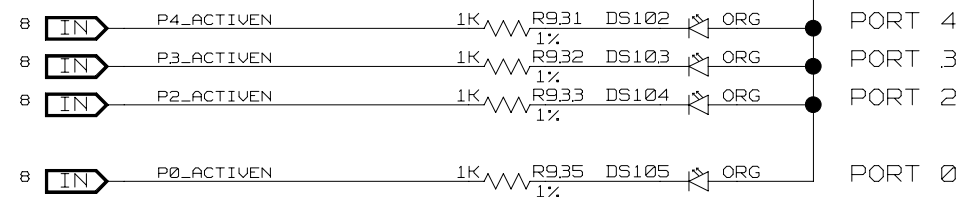
ACTIVE LOW POWER FAULT LED (RED)



ACTIVE LOW LINK UP LED (GREEN)



ACTIVE LOW LINK ACTIVITY LED (AMBER)



CONFIDENTIAL PROPERTY OF INTEGRATED DEVICE TECHNOLOGY, INC.
6024 SILVER CREEK VALLEY RD. SAN JOSE, CA 95138
COPYRIGHT (C) IDT 2007

TITLE 89EBPES4T4 Evaluation Board

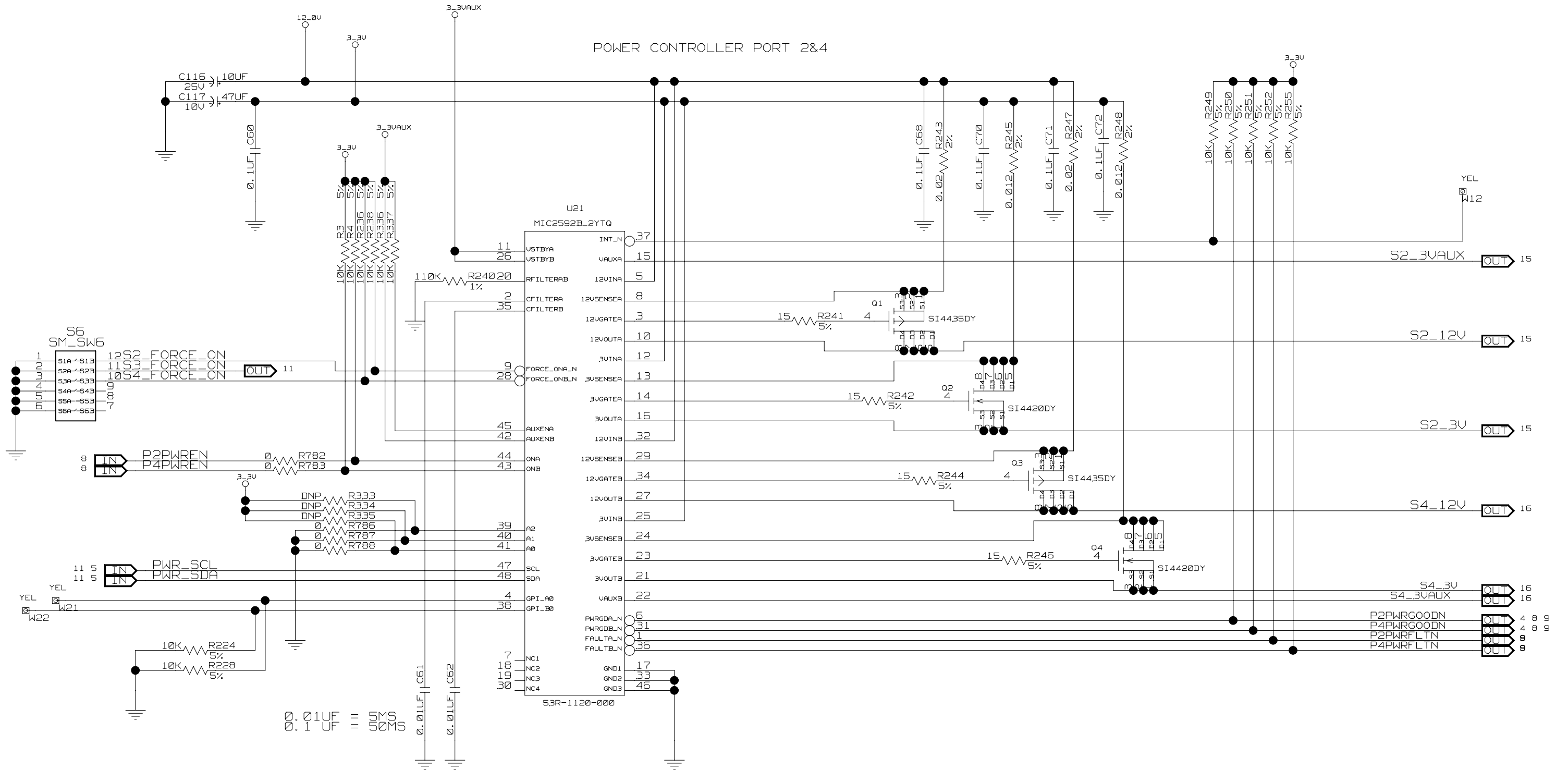
IO EXPANDER LEADS

SIZE B	DRAWING NO. STGSCH-00117	FAB P/N 18-637-001	REV. 1.0
-----------	-----------------------------	-----------------------	-------------

AUTHOR J. Carrillo	CHECKED BY D. Huang
-----------------------	------------------------

Thu Jul 26 15:56:24 2007 SHEET 9 OF 17

POWER CONTROLLER PORT 2&4



CONFIDENTIAL PROPERTY OF INTEGRATED DEVICE TECHNOLOGY, INC.
 6024 SILVER CREEK VALLEY RD. SAN JOSE, CA 95138
 COPYRIGHT (C) IDT2007

TITLE 89EBPES4T4 Evaluation Board

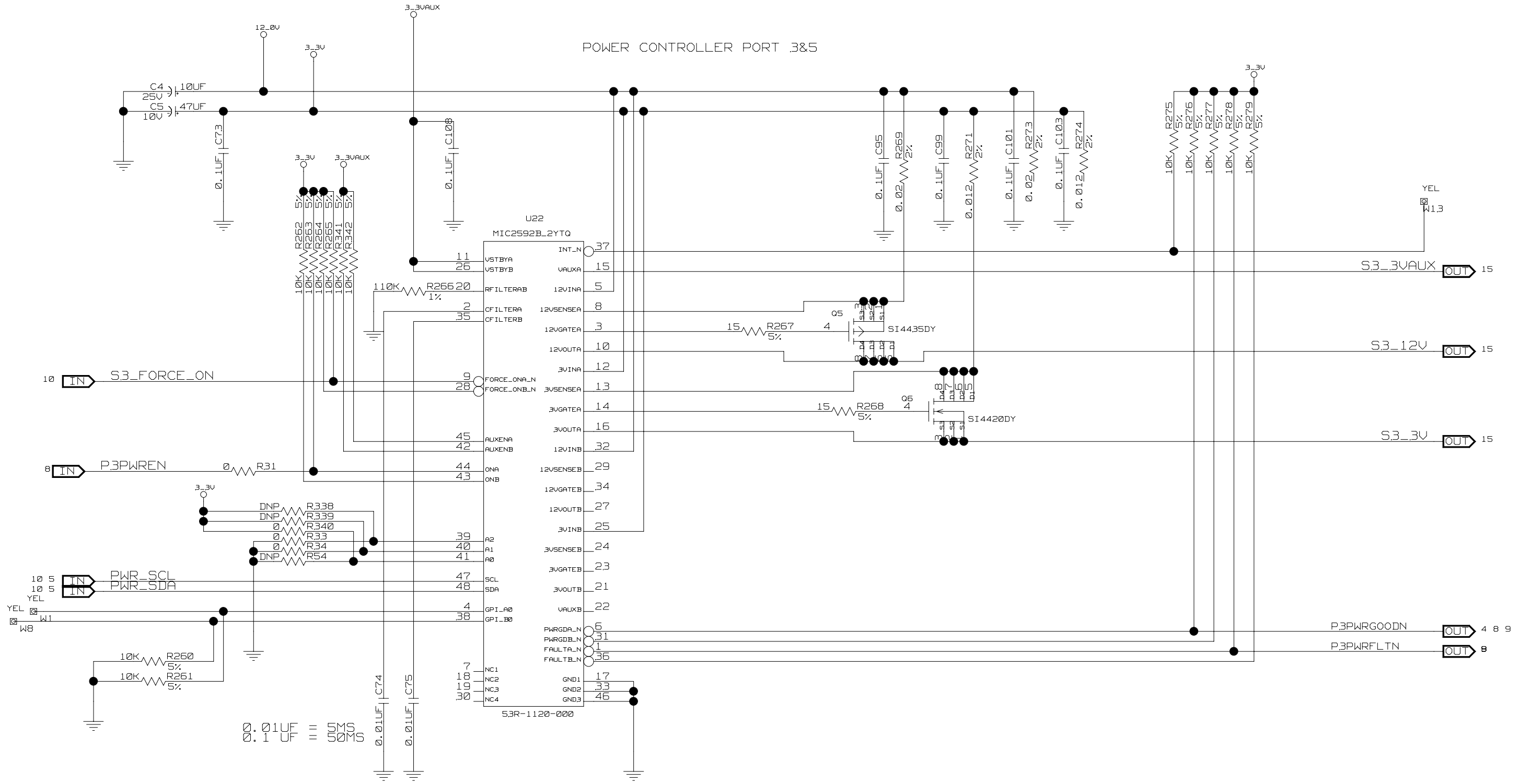
HOT SWAP CONTROL PORT 2/3

SIZE B	DRAWING NO. STGSCH-00117	FAB P/N 18-637-001	REV. 1.0
-----------	-----------------------------	-----------------------	-------------

AUTHOR J. Carrillo	CHECKED BY D. Huang
-----------------------	------------------------

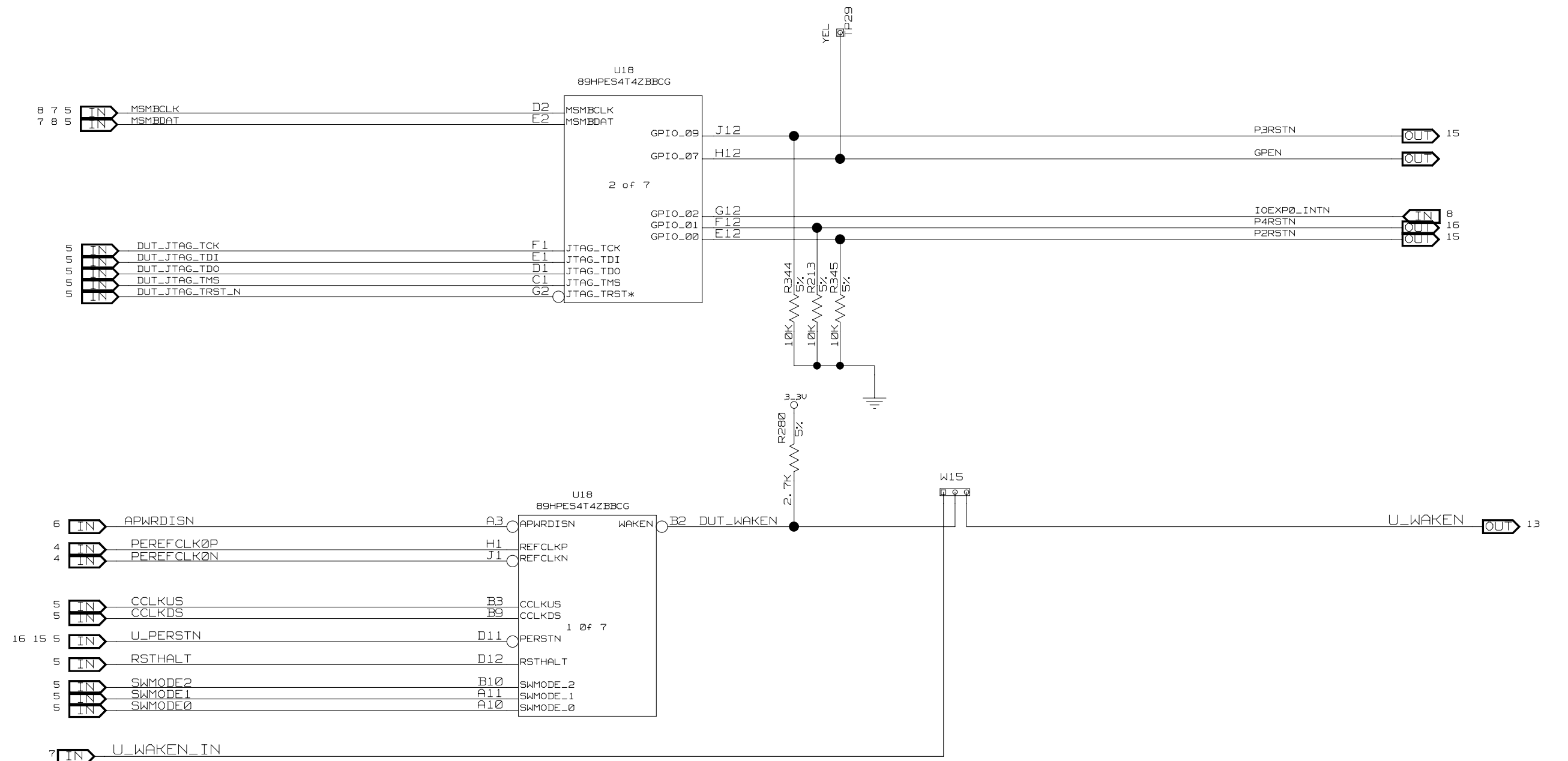
Thu Jul 26 15:56:13 2007 SHEET 10 OF 17

POWER CONTROLLER PORT 3&5



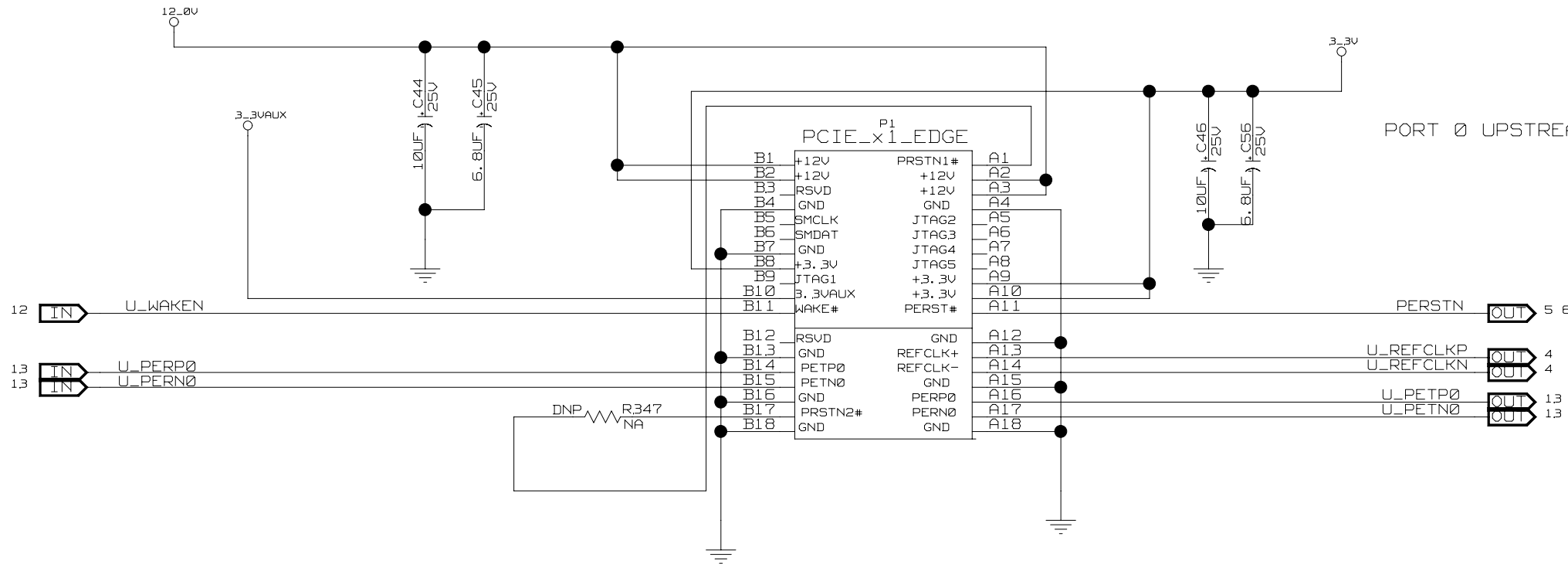
CONFIDENTIAL PROPERTY OF INTEGRATED DEVICE TECHNOLOGY, INC.
 6024 SILVER CREEK VALLEY RD. SAN JOSE, CA 95138
 COPYRIGHT (C) IDT2007

TITLE 89EBPES4T4 Evaluation Board			
HOT SWAP CONTROL PORT 3			
SIZE B	DRAWING NO. STGSCH-00117	FAB P/N 18-637-001	REV. 1.0
AUTHOR J. Carrillo		CHECKED BY D. Huang	
Thu Jul 26 15:56:13 2007			SHEET 11 OF 17

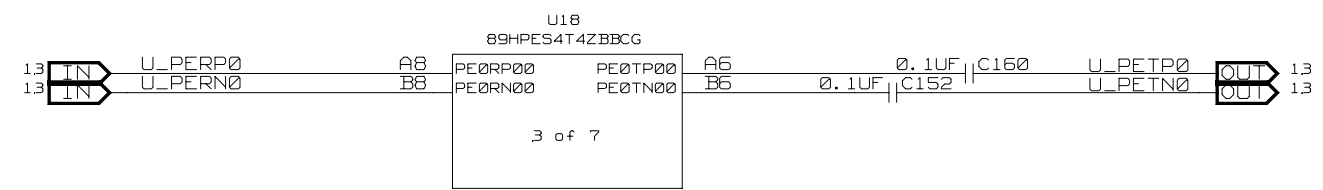


CONFIDENTIAL PROPERTY OF INTEGRATED DEVICE TECHNOLOGY, INC.
 6024 SILVER CREEK VALLEY RD. SAN JOSE, CA 95138
 COPYRIGHT (C) IDT 2007

TITLE 89BPES4T4 Evaluation Board			
PES4T4 CLOCK, SMBUS GPIO			
SIZE B	DRAWING NO. STGSCH-00117	FAB P/N 18-637-001	REV. 1.0
AUTHOR J. Carrillo		CHECKED BY D. Huang	
Thu Jul 26 15:56:25 2007			SHEET 12 OF 17



PORT 0 UPSTREAM EDGE CONNECTOR PROVIDES ALL POWER FOR BOARD

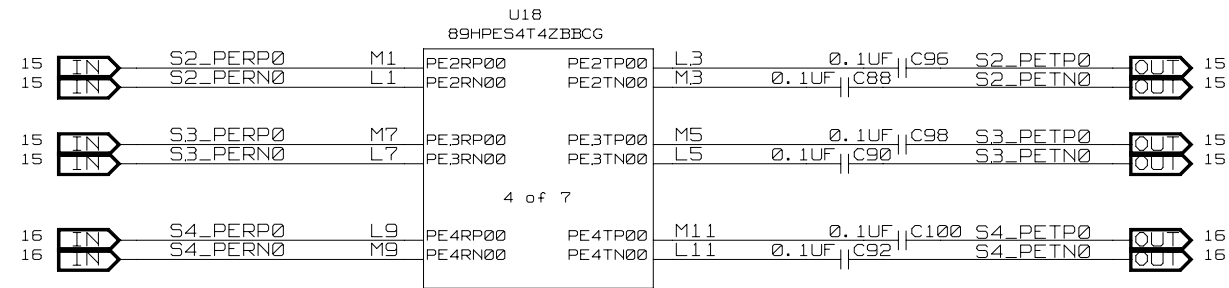


3 of 7



CONFIDENTIAL PROPERTY OF INTEGRATED DEVICE TECHNOLOGY, INC.
6024 SILVER CREEK VALLEY RD. SAN JOSE, CA 95138
COPYRIGHT (C) IDT2007

TITLE 89EBPES4T4 Evaluation Board			
PES4T4 PORT 0 EDGE CONN			
SIZE B	DRAWING NO. STGSCH-00117	FAB P/N 18-637-001	REV. 1.0
AUTHOR J. Carrillo		CHECKED BY D. Huang	
Thu Jul 26 15:56:14 2007			SHEET 13 OF 17



CONFIDENTIAL PROPERTY OF INTEGRATED DEVICE TECHNOLOGY, INC.
 6024 SILVER CREEK VALLEY RD. SAN JOSE, CA 95138
 COPYRIGHT (C) IDT2007

TITLE 89EBPES4T4 Evaluation Board

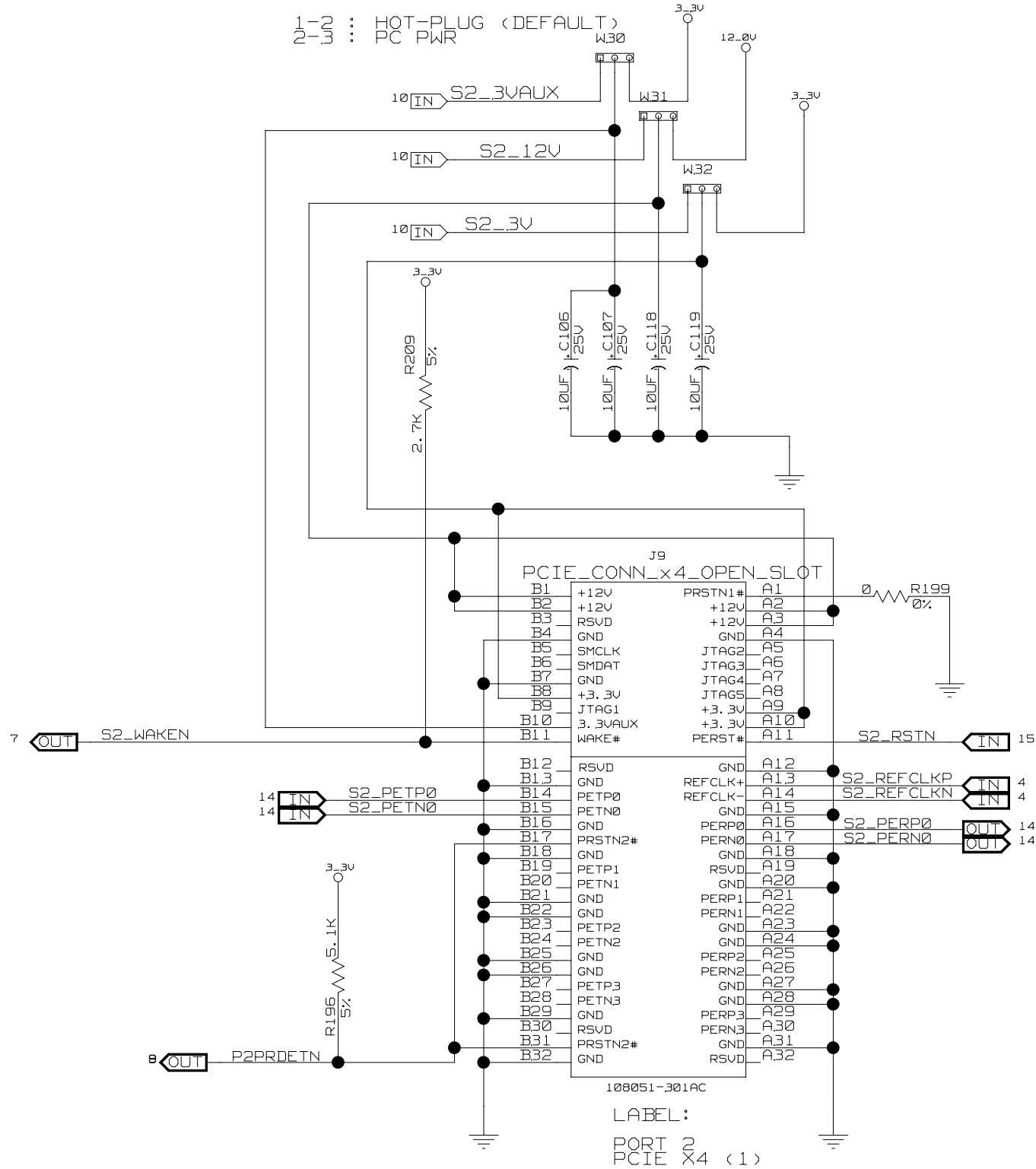
PES4T4 DOWNSTREAM PORTS

SIZE B	DRAWING NO. STGSCH-00117	FAB P/N 18-637-001	REV. 1.0
-----------	-----------------------------	-----------------------	-------------

AUTHOR J. Carrillo	CHECKED BY D. Huang
-----------------------	------------------------

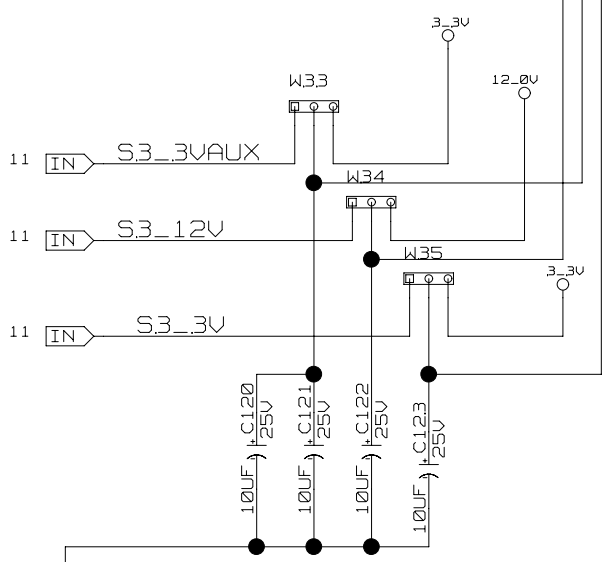
Thu Jul 26 15:56:25 2007 SHEET 14 OF 17

1-2 : HOT-PLUG (DEFAULT)
2-3 : PC PWR

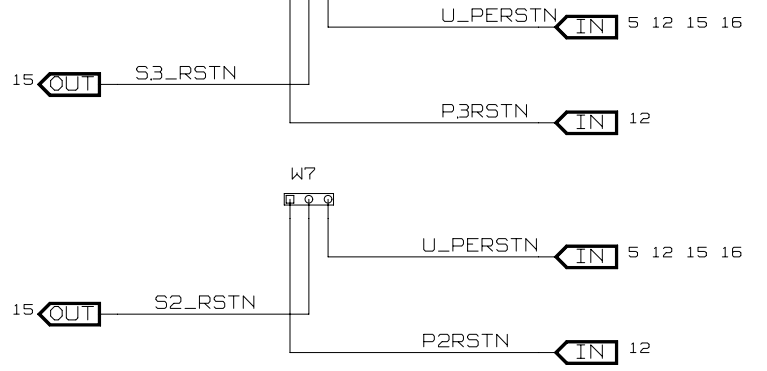
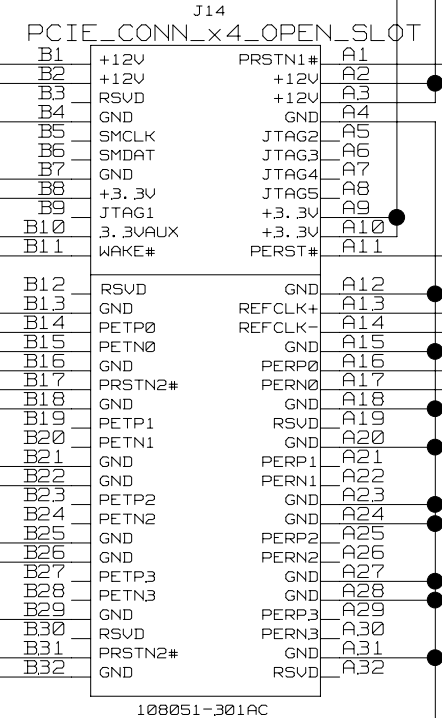


LABEL:
PORT 2
PCIE X4 (1)

1-2 : HOT-PLUG (DEFAULT)
2-3 : PC PWR



LABEL:
PORT 3
PCIE X4 (1)



CONFIDENTIAL PROPERTY OF INTEGRATED DEVICE TECHNOLOGY, INC.
6024 SILVER CREEK VALLEY RD. SAN JOSE, CA 95138
COPYRIGHT (C) IDT2007

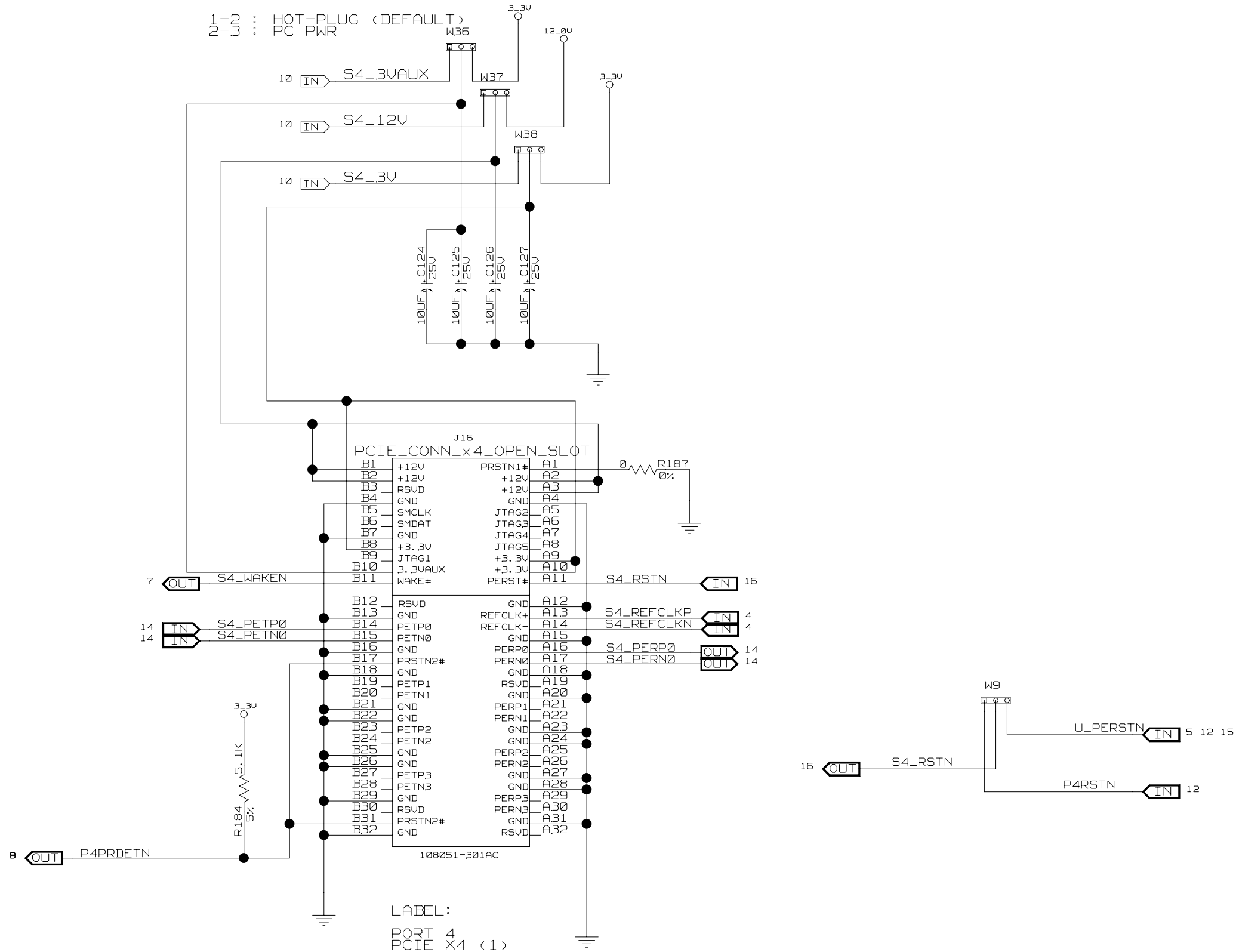
TITLE 89EBPES4T4 Evaluation Board

PORT 2 AND PORT 3

SIZE B	DRAWING NO. STGSCH-00117	FAB P/N 18-637-001	REV. 1.0
-----------	-----------------------------	-----------------------	-------------

AUTHOR J. Carrillo	CHECKED BY D. Huang
-----------------------	------------------------

Thu Jul 26 15:56:15 2007 SHEET 15 OF 17



CONFIDENTIAL PROPERTY OF INTEGRATED DEVICE TECHNOLOGY, INC.
6024 SILVER CREEK VALLEY RD. SAN JOSE, CA 95138
COPYRIGHT (C) IDT2007

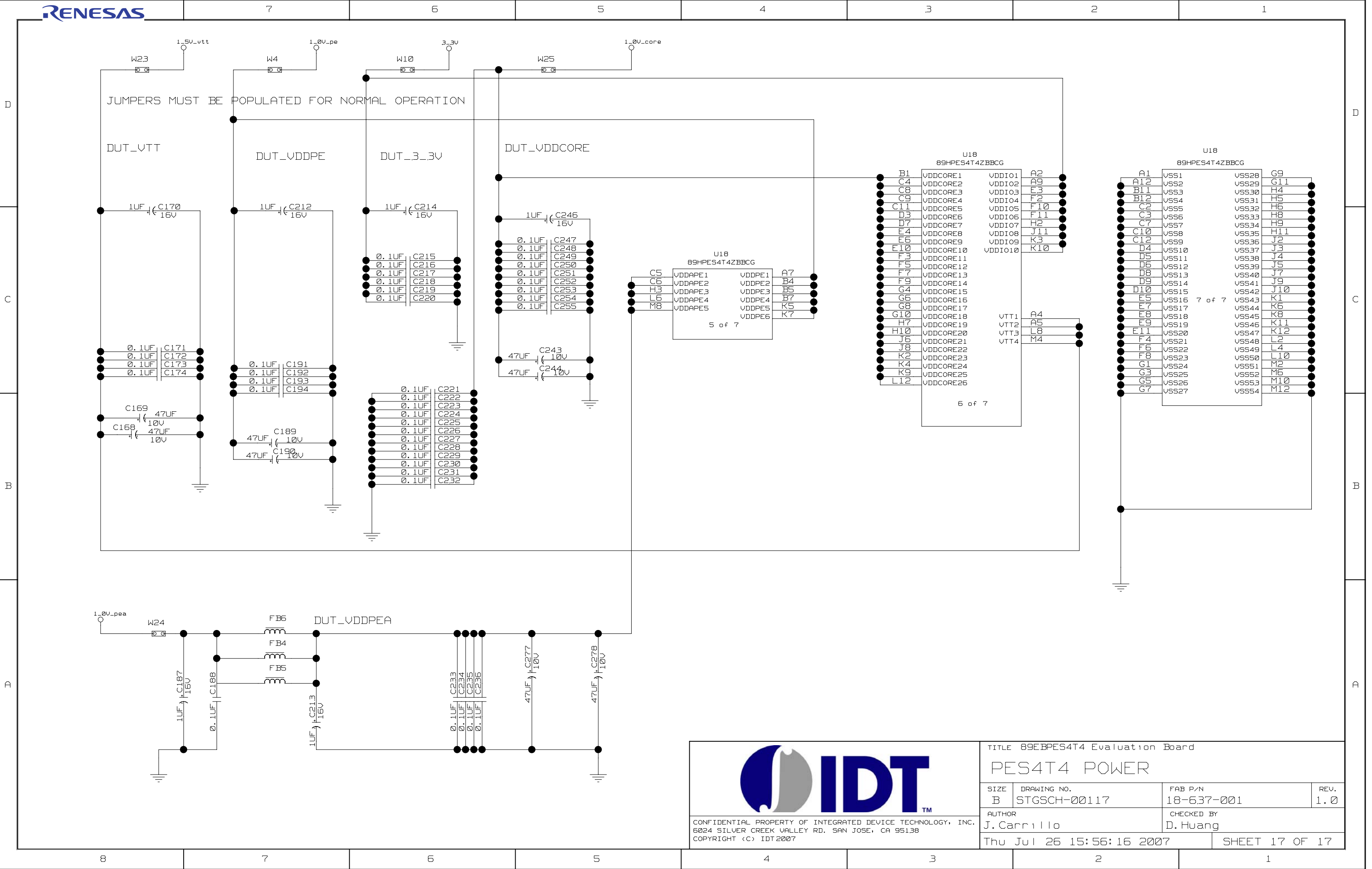
TITLE 89EBPES4T4 Evaluation Board

PORT 4

SIZE B	DRAWING NO. STGSCH-00117	FAB P/N 18-637-001	REV. 1.0
-----------	-----------------------------	-----------------------	-------------

AUTHOR J. Carrillo	CHECKED BY D. Huang
-----------------------	------------------------

Thu Jul 26 15:56:15 2007 SHEET 16 OF 17



CONFIDENTIAL PROPERTY OF INTEGRATED DEVICE TECHNOLOGY, INC.
 6024 SILVER CREEK VALLEY RD. SAN JOSE, CA 95138
 COPYRIGHT (C) IDT2007

TITLE 89BPES4T4 Evaluation Board

PES4T4 POWER

SIZE B	DRAWING NO. STGSCH-00117	FAB P/N 18-637-001	REV. 1.0
-----------	-----------------------------	-----------------------	-------------

AUTHOR J. Carrillo	CHECKED BY D. Huang
-----------------------	------------------------

Thu Jul 26 15:56:16 2007 SHEET 17 OF 17

IMPORTANT NOTICE AND DISCLAIMER

RENESAS ELECTRONICS CORPORATION AND ITS SUBSIDIARIES (“RENESAS”) PROVIDES TECHNICAL SPECIFICATIONS AND RELIABILITY DATA (INCLUDING DATASHEETS), DESIGN RESOURCES (INCLUDING REFERENCE DESIGNS), APPLICATION OR OTHER DESIGN ADVICE, WEB TOOLS, SAFETY INFORMATION, AND OTHER RESOURCES “AS IS” AND WITH ALL FAULTS, AND DISCLAIMS ALL WARRANTIES, EXPRESS OR IMPLIED, INCLUDING, WITHOUT LIMITATION, ANY IMPLIED WARRANTIES OF MERCHANTABILITY, FITNESS FOR A PARTICULAR PURPOSE, OR NON-INFRINGEMENT OF THIRD-PARTY INTELLECTUAL PROPERTY RIGHTS.

These resources are intended for developers who are designing with Renesas products. You are solely responsible for (1) selecting the appropriate products for your application, (2) designing, validating, and testing your application, and (3) ensuring your application meets applicable standards, and any other safety, security, or other requirements. These resources are subject to change without notice. Renesas grants you permission to use these resources only to develop an application that uses Renesas products. Other reproduction or use of these resources is strictly prohibited. No license is granted to any other Renesas intellectual property or to any third-party intellectual property. Renesas disclaims responsibility for, and you will fully indemnify Renesas and its representatives against, any claims, damages, costs, losses, or liabilities arising from your use of these resources. Renesas' products are provided only subject to Renesas' Terms and Conditions of Sale or other applicable terms agreed to in writing. No use of any Renesas resources expands or otherwise alters any applicable warranties or warranty disclaimers for these products.

(Disclaimer Rev.1.01 Jan 2024)

Corporate Headquarters

TOYOSU FORESIA, 3-2-24 Toyosu,
Koto-ku, Tokyo 135-0061, Japan
www.renesas.com

Trademarks

Renesas and the Renesas logo are trademarks of Renesas Electronics Corporation. All trademarks and registered trademarks are the property of their respective owners.

Contact Information

For further information on a product, technology, the most up-to-date version of a document, or your nearest sales office, please visit www.renesas.com/contact-us/.