

GreenPAK Socket Adapter TQFN-20 #8 User Manual

The GreenPAK TQFN-20 #8 Socket Adapter is a small board with dimensions 40.40 x 44.00 mm. This board helps to program or emulate the GreenPAK SLG47001V by using GreenPAK Advanced Development Platform or GreenPAK Lite Development Platform.

Features

- Low cost
- Programming and emulation options
- Right Angle 20-pin Connector Header for connection to Dev. Boards
- Two OpAmp Headers
- Three Digital Rheostats Headers for making external connection
- Decoupling capacitors included

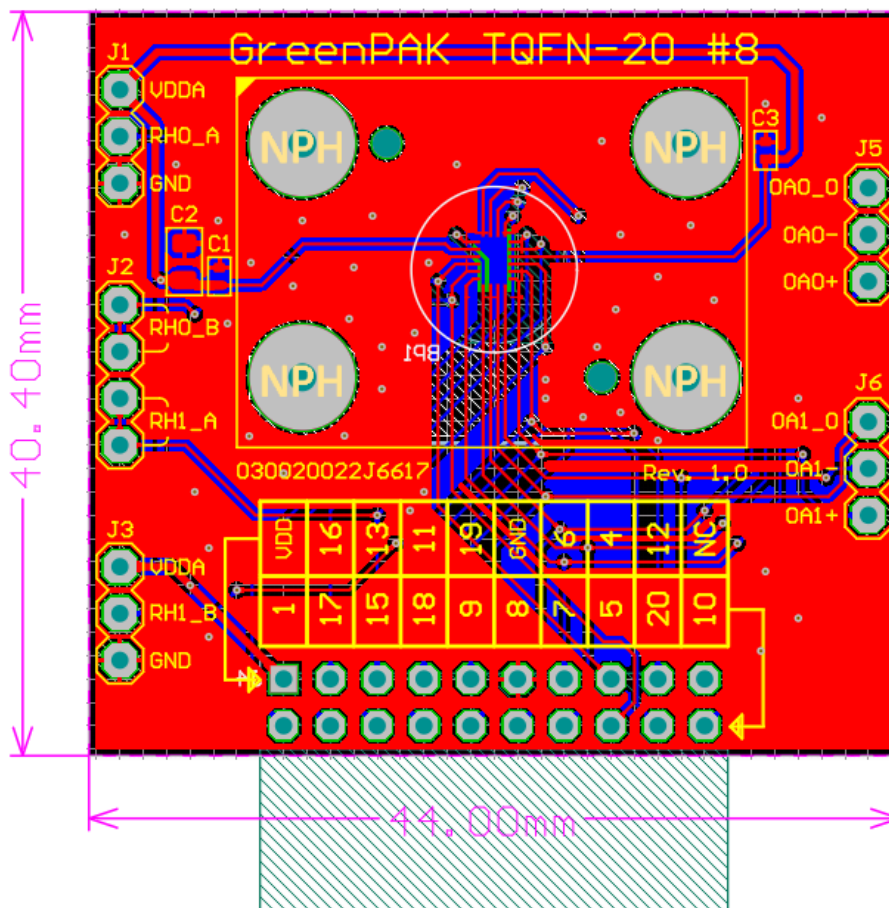


Figure 1. PCB View (All Sizes in mm)

Contents

Features	1
1. References.....	2
2. General View	3
3. Board Schematic	4
4. Revision History	5

Figures

Figure 1. PCB View (All Sizes in mm)	1
Figure 2. Top View.....	3
Figure 3. Bottom View	3
Figure 4. Board Schematic	4

1. References

For related documents and software, please visit: [AnalogPAK™ | Renesas](#)

[1] [SLG47001](#), Datasheet, Renesas Electronics

2. General View

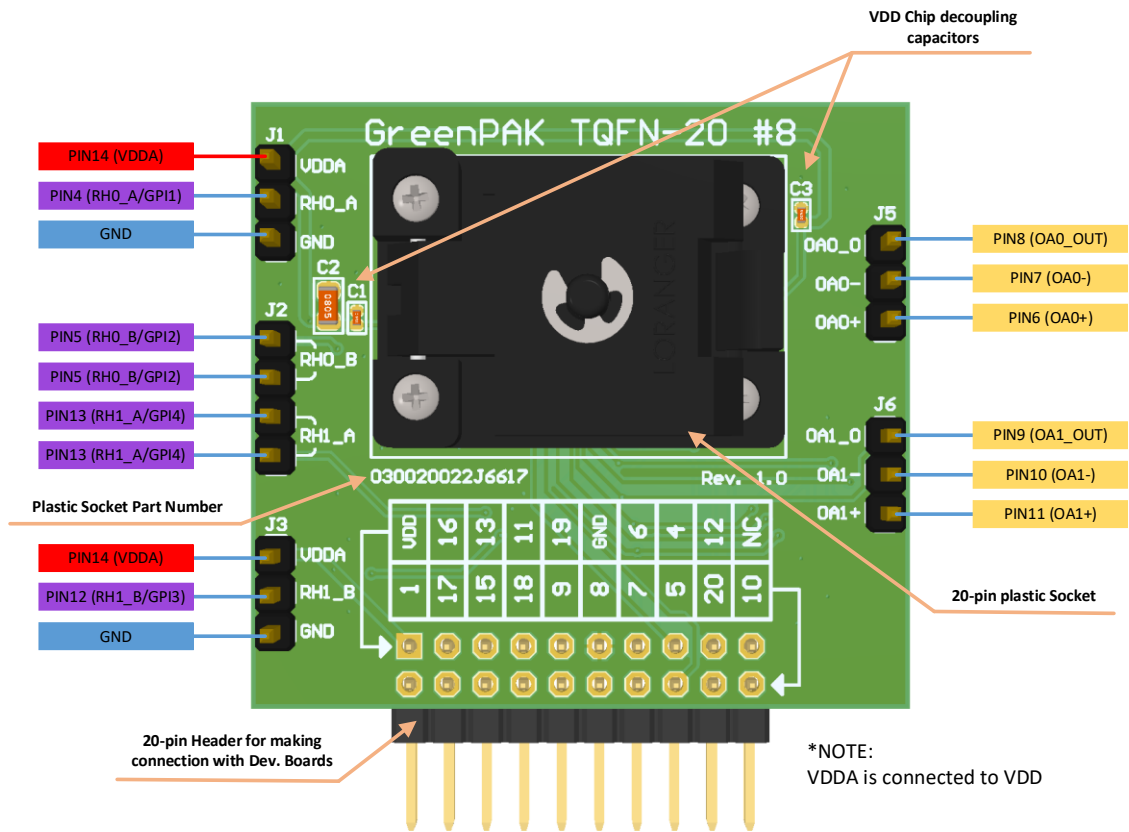


Figure 2. Top View

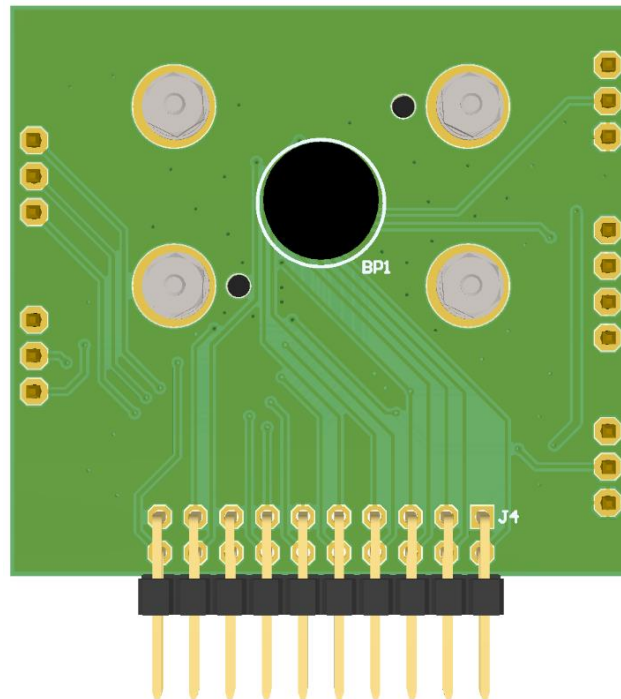


Figure 3. Bottom View

3. Board Schematic

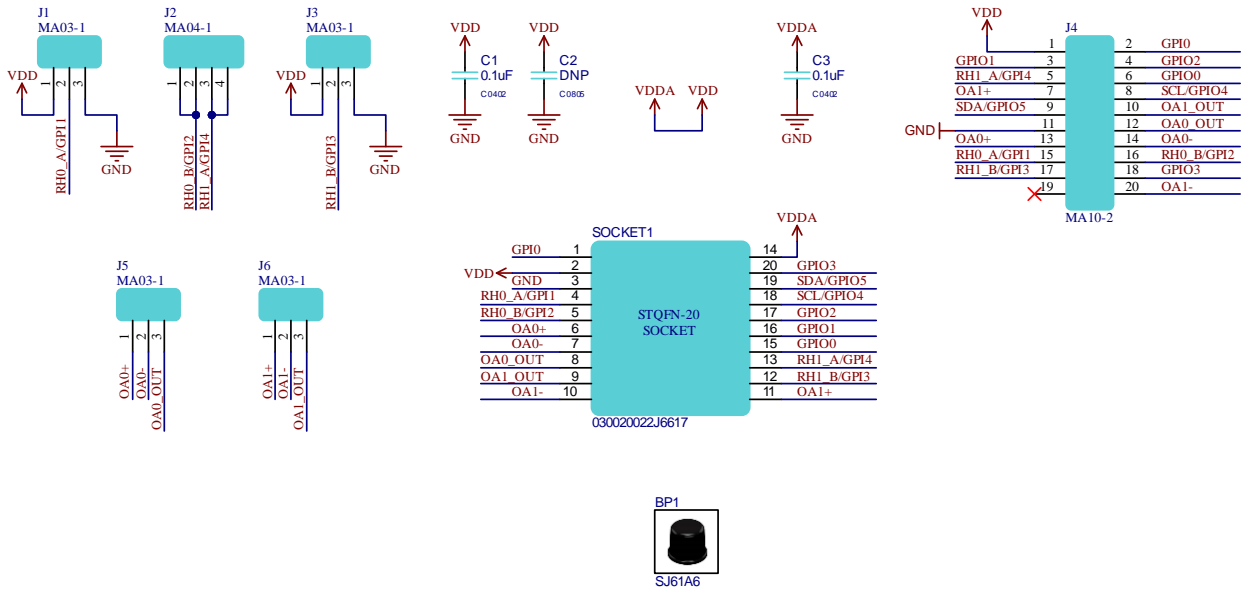


Figure 4. Board Schematic

4. Revision History

Revision	Date	Description
1.00	Sep 19, 2024	Initial release