

REV	REF	DATE	DRAWN BY
1.00	Release	04.03.2010	YOI

Renesas Starter Kit for R8C/35C CPU Board Schematics

PAGE	DESCRIPTION
1	INDEX
2	R8C/35C Microcontroller
3	Switches, PSU
4	E8a, Serial Port
5	Application Headers, Pin Function Select, Debug LCD
6	Microcontroller Pin Headers
7	LIN

Note:

- R : Fixed Resistor
- RV : Potentiometer
- U : Integrated Circuit
- X : Crystal
- RES : Reset Switch
- SW : Switch
- LED : Light Emitting Diode
- PWR : Power Jack
- J : Connetor, Jumper

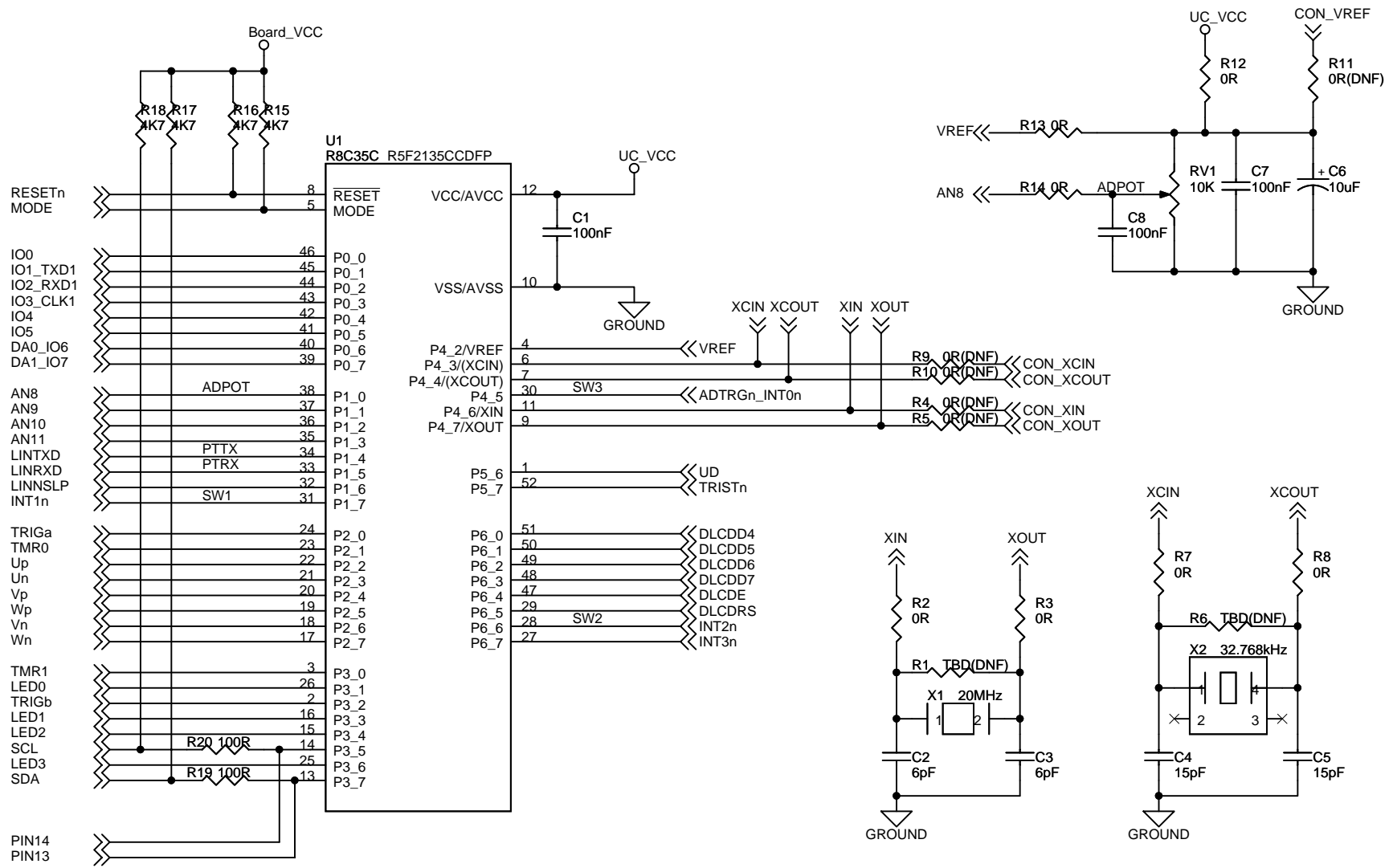
Board Code:

R0K521350C000BE

* "DNF" marking means that component does not fit by default

RTE Drawing No. D008352
RSO Drawing No. DK30722

Renesas Solutions Corp.			
Title		RSKR8C35C [INDEX]	
Size	Document Number	Rev	
A4	RJJ99J0067-0100	1.00	
Date:	Thursday, March 04, 2010	Sheet	1 of 7

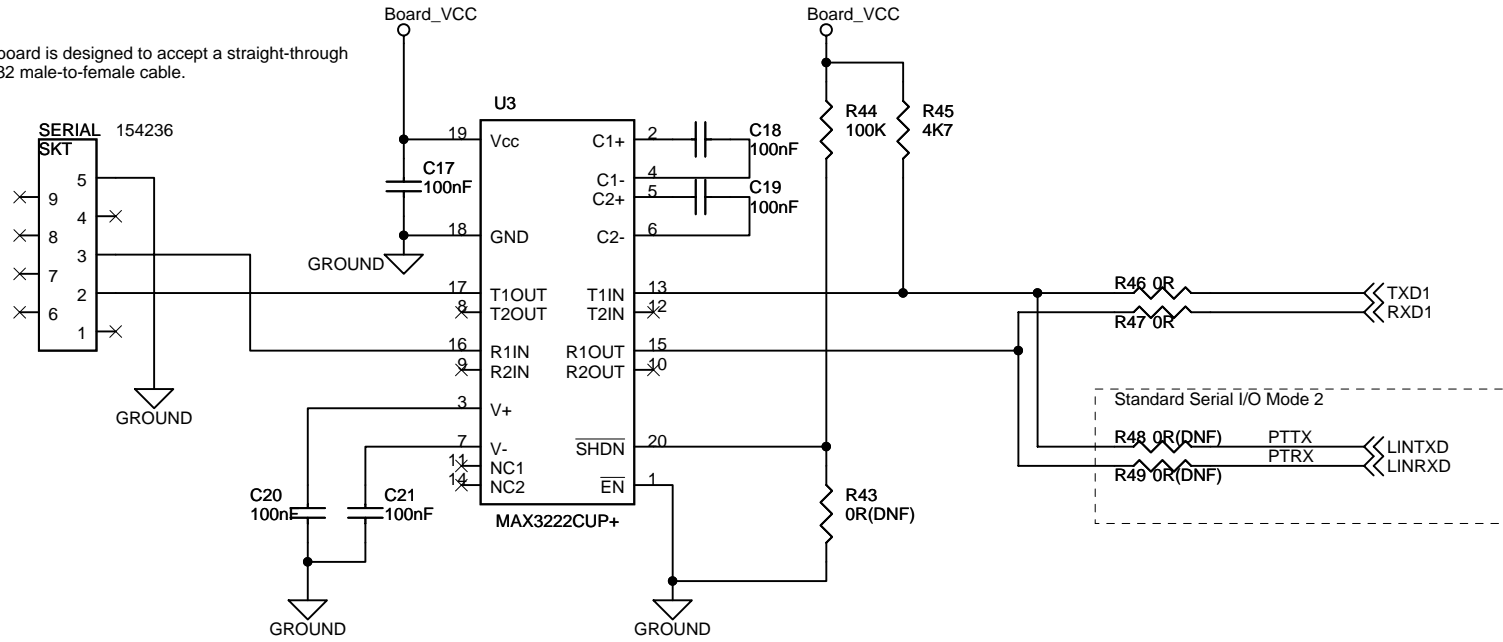


Renesas Solutions Corp.		
Title RSKR8C35C [R8C/35C Micon]		
Size A4	Document Number RJJ99J0067-0100	Rev 1.00
Date: Thursday, March 04, 2010	Sheet 2	of 7

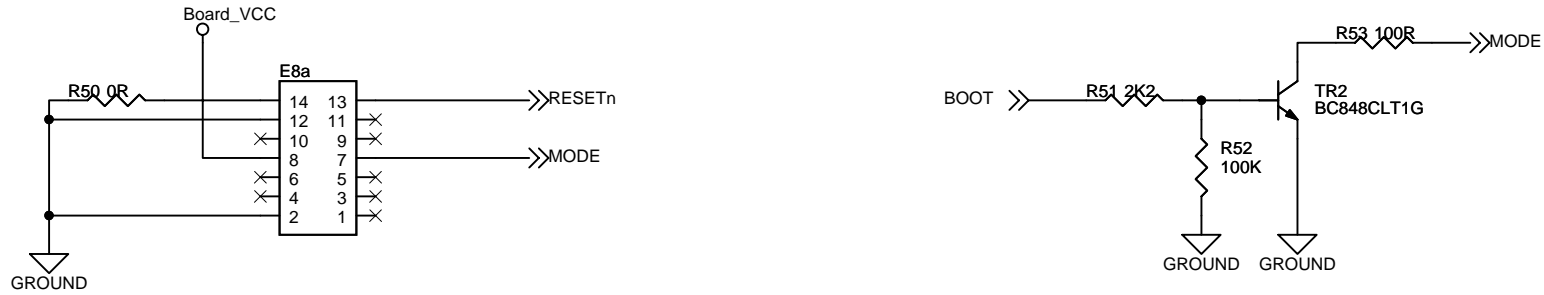
Note1: C1 is decoupling capacitor for U1

SERIAL Port

The board is designed to accept a straight-through RS232 male-to-female cable.



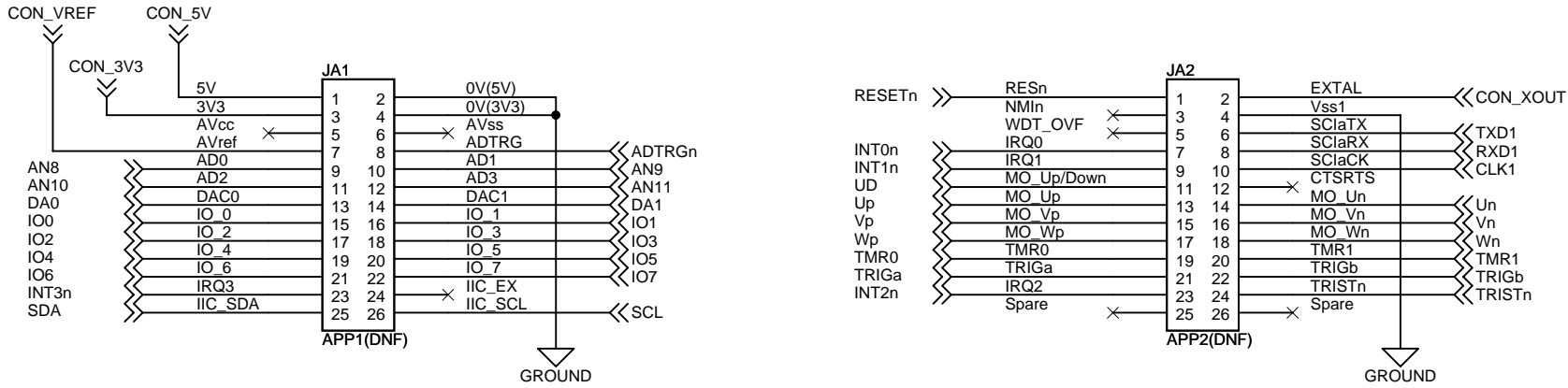
E8a



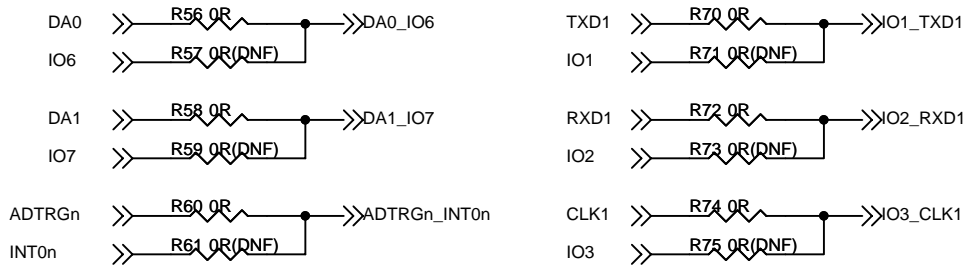
Note1: C17 is decoupling capacitor for U3

Renesas Solutions Corp.		
Title RSKR8C35C [E8a, Serial Port]		
Size A4	Document Number RJJ99J0067-0100	Rev 1.00
Date: Thursday, March 04, 2010	Sheet 4	of 7

Application Board Interface

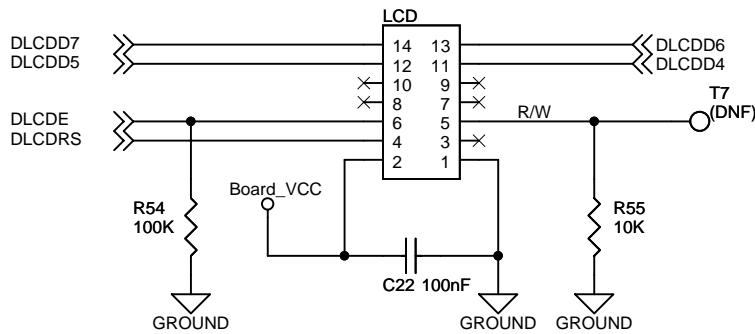


Pin Function Select

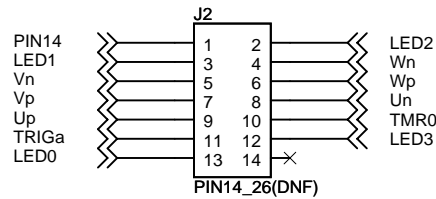
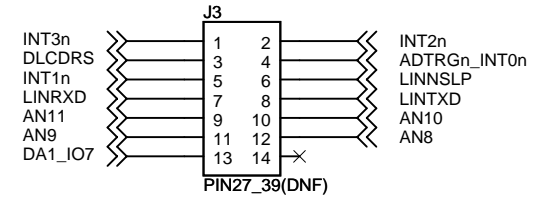
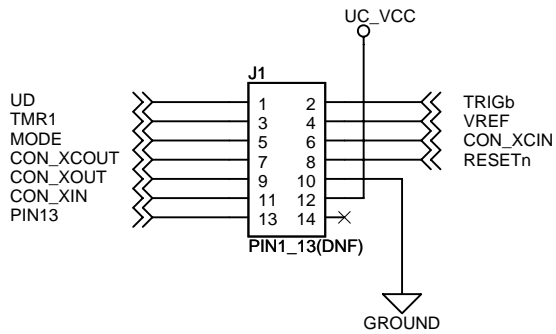
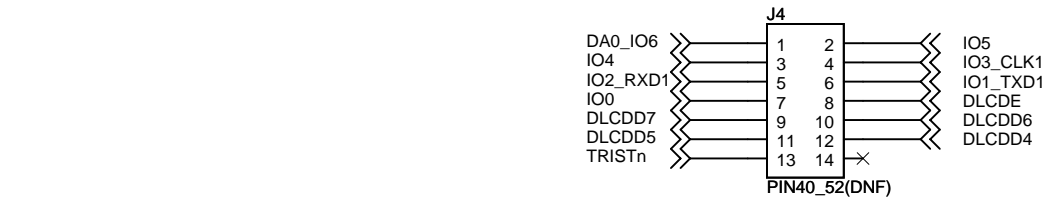


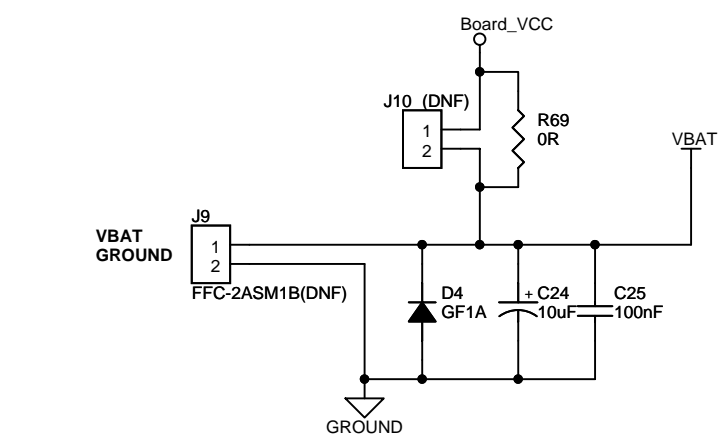
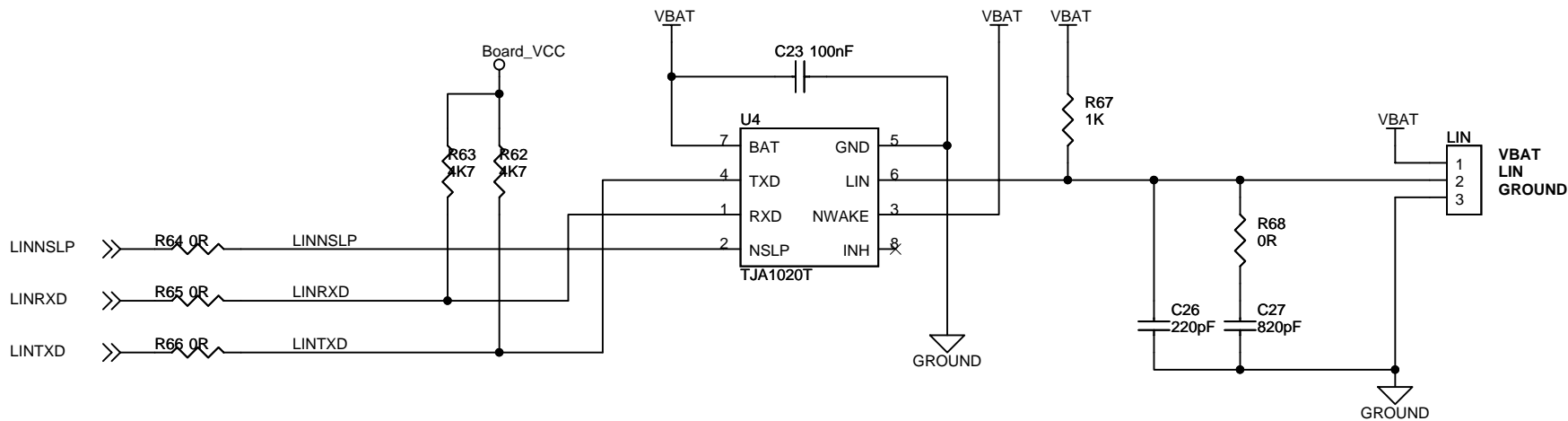
Debug LCD

Do not use if VCC is not equal to 5V.



Renesas Solutions Corp.		
Title RSKR8C35C [Application Headers, Micon Pin Function Select, Debug LCD]		
Size A4	Document Number RJJ99J0067-0100	Rev 1.00
Date: Thursday, March 04, 2010	Sheet 5	of 7





LIN Mode Select

R67, R68	Fitted	Removed
	Master	Slave

Note1: C23 is decoupling capacitor for U4