

Fuse Box Reference Board

RL78/F14 48pin

User's Manual: Fuse Box Reference Board

Y-IPD-EFUSE-PDB-01-V1

Y-IPD-EFUSE-PDB-01-V2

The newest version of this document can be obtained from the following web location:
TBD

All information contained in these materials, including products and product specifications, represents information on the product at the time of publication and is subject to change by Renesas Electronics Corp. without notice. Please review the latest information published by Renesas Electronics Corp. through various means, including the Renesas Electronics Corp. website (<https://www.renesas.com>)

Notice

1. Descriptions of circuits, software and other related information in this document are provided only to illustrate the operation of semiconductor products and application examples. You are fully responsible for the incorporation or any other use of the circuits, software, and information in the design of your product or system. Renesas Electronics disclaims any and all liability for any losses and damages incurred by you or third parties arising from the use of these circuits, software, or information.
2. Renesas Electronics hereby expressly disclaims any warranties against and liability for infringement or any other claims involving patents, copyrights, or other intellectual property rights of third parties, by or arising from the use of Renesas Electronics products or technical information described in this document, including but not limited to, the product data, drawings, charts, programs, algorithms, and application examples.
3. No license, express, implied or otherwise, is granted hereby under any patents, copyrights or other intellectual property rights of Renesas Electronics or others.
4. You shall not alter, modify, copy, or reverse engineer any Renesas Electronics product, whether in whole or in part. Renesas Electronics disclaims any and all liability for any losses or damages incurred by you or third parties arising from such alteration, modification, copying or reverse engineering.
5. Renesas Electronics products are classified according to the following two quality grades: "Standard" and "High Quality". The intended applications for each Renesas Electronics product depends on the product's quality grade, as indicated below.
"Standard": Computers; office equipment; communications equipment; test and measurement equipment; audio and visual equipment; home electronic appliances; machine tools; personal electronic equipment; industrial robots; etc.
"High Quality": Transportation equipment (automobiles, trains, ships, etc.); traffic control (traffic lights); large-scale communication equipment; key financial terminal systems; safety control equipment; etc.
Unless expressly designated as a high reliability product or a product for harsh environments in a Renesas Electronics data sheet or other Renesas Electronics document, Renesas Electronics products are not intended or authorized for use in products or systems that may pose a direct threat to human life or bodily injury (artificial life support devices or systems; surgical implantations; etc.), or may cause serious property damage (space system; undersea repeaters; nuclear power control systems; aircraft control systems; key plant systems; military equipment; etc.). Renesas Electronics disclaims any and all liability for any damages or losses incurred by you or any third parties arising from the use of any Renesas Electronics product that is inconsistent with any Renesas Electronics data sheet, user's manual or other Renesas Electronics document.
6. When using Renesas Electronics products, refer to the latest product information (data sheets, user's manuals, application notes, "General Notes for Handling and Using Semiconductor Devices" in the reliability handbook, etc.), and ensure that usage conditions are within the ranges specified by Renesas Electronics with respect to maximum ratings, operating power supply voltage range, heat dissipation characteristics, installation, etc. Renesas Electronics disclaims any and all liability for any malfunctions, failure or accident arising out of the use of Renesas Electronics products outside of such specified ranges.
7. Although Renesas Electronics endeavors to improve the quality and reliability of Renesas Electronics products, semiconductor products have specific characteristics, such as the occurrence of failure at a certain rate and malfunctions under certain use conditions. Unless designated as a high reliability product or a product for harsh environments in a Renesas Electronics data sheet or other Renesas Electronics document, Renesas Electronics products are not subject to radiation resistance design. You are responsible for implementing safety measures to guard against the possibility of bodily injury, injury or damage caused by fire, and/or danger to the public in the event of a failure or malfunction of Renesas Electronics products, such as safety design for hardware and software, including but not limited to redundancy, fire control and malfunction prevention, appropriate treatment for aging degradation or any other appropriate measures. Because the evaluation of microcomputer software alone is very difficult and impractical, you are responsible for evaluating the safety of the final products or systems manufactured by you.
8. Please contact a Renesas Electronics sales office for details as to environmental matters such as the environmental compatibility of each Renesas Electronics product. You are responsible for carefully and sufficiently investigating applicable laws and regulations that regulate the inclusion or use of controlled substances, including without limitation, the EU RoHS Directive, and using Renesas Electronics products in compliance with all these applicable laws and regulations. Renesas Electronics disclaims any and all liability for damages or losses occurring as a result of your noncompliance with applicable laws and regulations.
9. Renesas Electronics products and technologies shall not be used for or incorporated into any products or systems whose manufacture, use, or sale is prohibited under any applicable domestic or foreign laws or regulations. You shall comply with any applicable export control laws and regulations promulgated and administered by the governments of any countries asserting jurisdiction over the parties or transactions.
10. It is the responsibility of the buyer or distributor of Renesas Electronics products, or any other party who distributes, disposes of, or otherwise sells or transfers the product to a third party, to notify such third party in advance of the contents and conditions set forth in this document.
11. This document shall not be reprinted, reproduced or duplicated in any form, in whole or in part, without prior written consent of Renesas Electronics.
12. Please contact a Renesas Electronics sales office if you have any questions regarding the information contained in this document or Renesas Electronics products.

(Note 1) "Renesas Electronics" as used in this document means Renesas Electronics Corporation and also includes its directly or indirectly controlled subsidiaries.

(Note 2) "Renesas Electronics product(s)" means any product developed or manufactured by or for Renesas Electronics.

1. Handling of Unused Pins

Handle unused pins in accordance with the directions given under Handling of Unused Pins in the manual.

- The input pins of CMOS products are generally in the high-impedance state. In operation with an unused pin in the open-circuit state, extra electromagnetic noise is induced in the vicinity of LSI, an associated shoot-through current flows internally, and malfunctions occur due to the false recognition of the pin state as an input signal become possible. Unused pins should be handled as described under Handling of Unused Pins in the manual.

2. Processing at Power-on

The state of the product is undefined at the moment when power is supplied.

- The states of internal circuits in the LSI are indeterminate and the states of register settings and pins are undefined at the moment when power is supplied.
In a finished product where the reset signal is applied to the external reset pin, the states of pins are not guaranteed from the moment when power is supplied until the reset process is completed.
In a similar way, the states of pins in a product that is reset by an on-chip power-on reset function are not guaranteed from the moment when power is supplied until the power reaches the level at which resetting has been specified.

3. Prohibition of Access to Reserved Addresses

Access to reserved addresses is prohibited.

- The reserved addresses are provided for the possible future expansion of functions. Do not access these addresses; the correct operation of LSI is not guaranteed if they are accessed.

4. Clock Signals

After applying a reset, only release the reset line after the operating clock signal has become stable. When switching the clock signal during program execution, wait until the target clock signal has stabilized.

- When the clock signal is generated with an external resonator (or from an external oscillator) during a reset, ensure that the reset line is only released after full stabilization of the clock signal. Moreover, when switching to a clock signal produced with an external resonator (or by an external oscillator) while program execution is in progress, wait until the target clock signal is stable.

5. Differences between Products

Before changing from one product to another, i.e. to a product with a different part number, confirm that the change will not lead to problems.

- The characteristics of Microprocessing unit or Microcontroller unit products in the same group but having a different part number may differ in terms of the internal memory capacity, layout pattern, and other factors, which can affect the ranges of electrical characteristics, such as characteristic values, operating margins, immunity to noise, and amount of radiated noise. When changing to a product with a different part number, implement a system-evaluation test for the given product.

Content

1. Introduction	1
2. Overview and introduction of Fuse box.....	2
2.1 Features of Fuse Box	2
2.2 Board (Frontside and Backside).....	3
2.3 Description of DIP switches and LEDs.....	4
2.4 Description of components.....	6
2.4.1 RAJ2800024H12HPF.....	6
2.4.2 uPD166033T1U	6
2.4.3 uPD166027T1J	6
3. Quick Start	7
3.1 How to connect Fuse Box to a PC	7
3.2 How to connect Battery Voltage, Ground and Loads	8
3.3 How to set DIP switches for “Quick Start”	9
3.4 How to connect GUI to Fuse Box (via CAN)	9
3.5 Selection of PDB Modes	10
3.6 How to set fuse parameter	10
3.7 How to save plots	11
4. How to calibrate IPD's.....	12
5. How to select Parking Mode	13
6. How to read diagnosis	15
6.1 Diagnosis in “on-state” and “off-state”.....	15
7. Appendix.....	16
7.1 Example of cable.....	16
7.2 Schematic and layout.....	17
8. Revision History.....	27

1. Introduction

This User Manual describes how to use the Fuse Box in combination with RL78/F14 software. There are 4 interfaces how to use the Fuse Box:

- Debugger interface
- USB/UART interface
- CAN interface
- LIN interface (option)

The first version of Fuse Box in combination with RL78/F14 software was based on Debugger interface. This version will support also the communication with CAN interface. Later on a software to support the communication with LIN interface is planned. The USB/UART interface can be also used with a different software.

A GUI for control and settings of the Fuse Box is available. For this a PC needs to be connected to the Fuse Box via CAN Interface using a CAN-USB Adapter.

The Fuse Box provides three current classes by IPD's (Intelligent Power Devices):

- 30A
- 10A
- 3A

The user can select a current in order to configure the desired fuse function depending on cable diameter (high cable diameter → high currents for fuse function).

The fuse parameters are cable parameter (cable resistance, heat capacitance of cable and thermal resistance of cable) or I^2t value in combination with I_{∞} current. In addition, the ambient temperature and the maximum temperature is needed.

The IPD's provide self-protection features such as over-current, over-temperature, open load and short circuit to ground.

2. Overview and introduction of Fuse Box

2.1 Features of Fuse Box

The Fuse Box has following features:

- **Implemented channels**
 - 2 x 30A
 - 4 x 10A
 - 4 x 3A

- **Communication**
 - CAN
 - LIN (option)

- **Modi**
 - Off Mode
 - On Mode (Normal Mode)
 - Parking Emulation Mode
 - Calibration Mode

- **Fuse algorithm**
 - I^2t based on cable parameter method
 - I^2t based on two point method (I^2t value and I^∞ value)

- **Other features**
 - 1 x Temp sense (between 30A devices)
 - 10 x Current measurement

2.2 Board (Frontside and Backside)

Figure 1 below shows the fuse box board from top view and bottom view.

On top view are soldered the following components:

- 2 x 30A IPD's (RAJ2800024H12HPF)
- 4 x 10A IPD's (uPD166033T1U)
- Linear regulator (ISL78301)
- Battery connector
- Load connector
- Connector for adapter board
- DIP Switches

On bottom view are soldered the following components:

- 2 x 3A IPD's (uPD166027T1J)
- RL78/F14 16-bit MCU
- LIN Transceiver (TJA1020T)
- CAN Transceiver (TJA1041T)

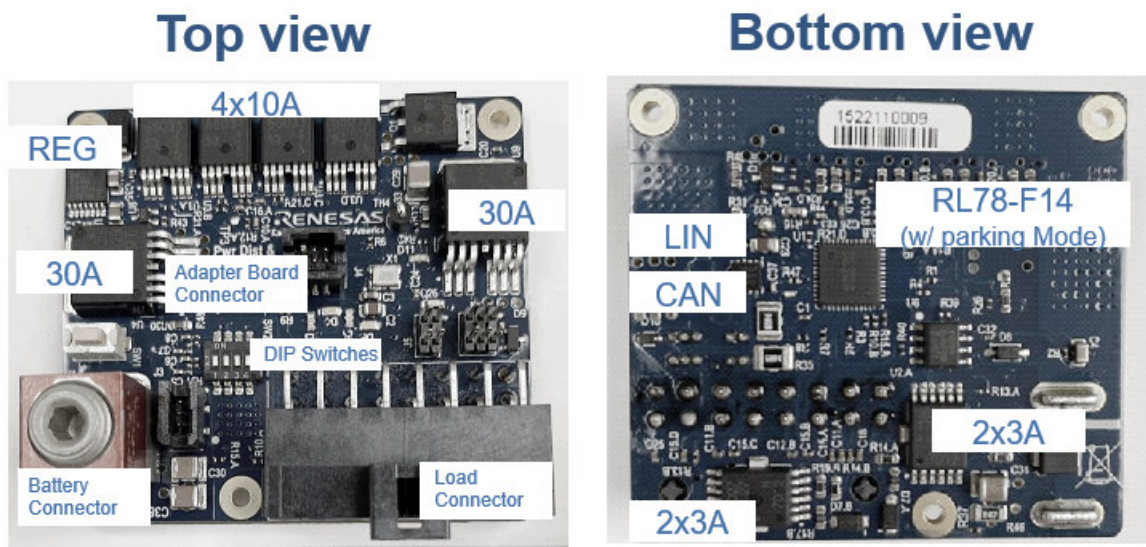


Figure 1: Board of Fuse Box (Frontside and Backside)

2.3 Description of DIP switches and LEDs

The figure below shows the DIP switches of the Fuse Box. Only DIP 4 is used in GUI mode, DIP1, DIP2 and DIP3 have no function. Figure 1 shows all DIP switches.

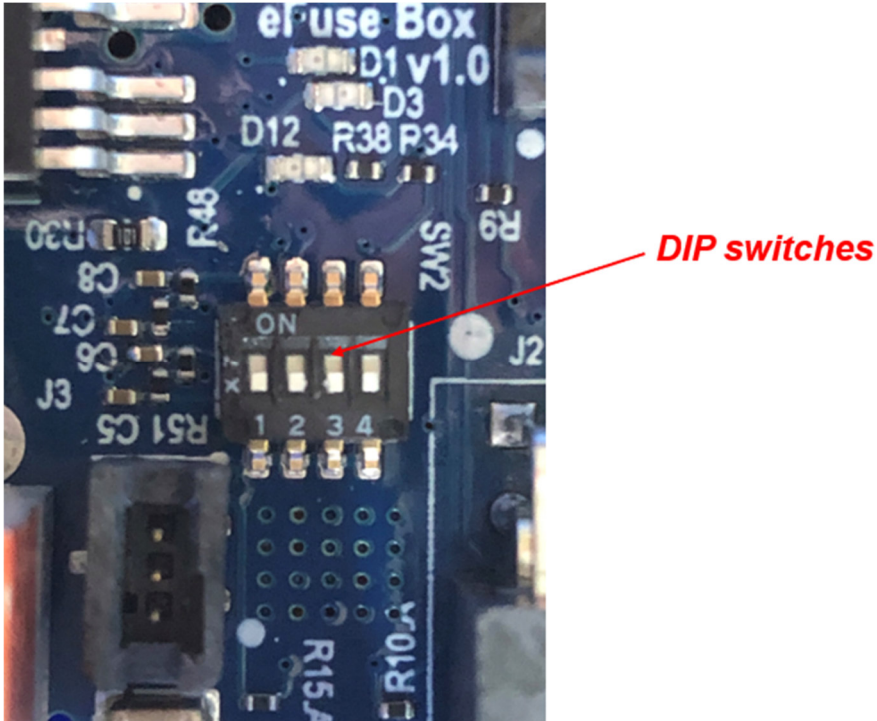


Figure 2: Picture of DIP switches

The table below describes the functions of DIP switches.

DIP	Function
DIP1	No function
DIP2	No function
DIP3	No function
DIP4	on=GUI mode / off=debugger mode (not used)

Table 1: Description of DIP switches

The figure below shows the LEDs of the Fuse Box. There are 7 LEDs available to show which mode/function is active.

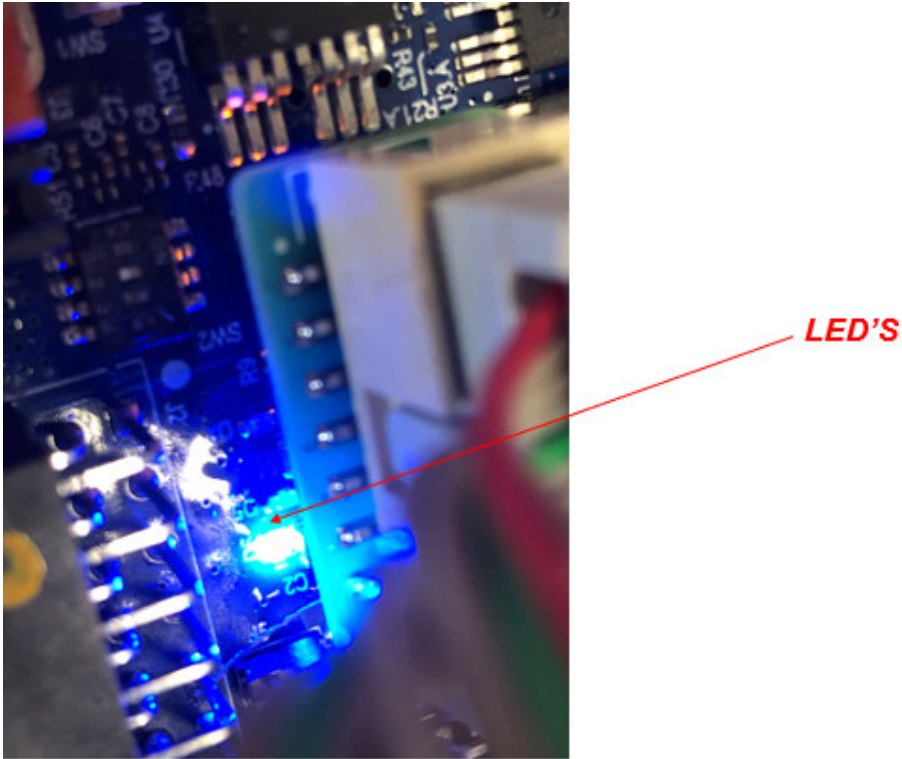


Figure 3: Picture of LEDs

The table below describes the functions of LEDs.

LED	Function	color
LED D4	Not used	Blue
LED D6	IPDs on/off if any channel is on	Blue
LED D2	Parking Mode	Yellow
LED D3	Normal Mode	Yellow
LED D5	Failure / Error	red
LED D11	CAN enabled	green
LED D1	2.5V reference enabled	green

Table 2: Description of LEDs

2.4 Description of components

2.4.1 RAJ2800024H12HPF

Please refer to data sheet “RAJ2800024H12HPF (30A IPD)”

[RAJ2800024](#)

2.4.2 uPD166033T1U

Please refer to data sheet “uPD166033T1U (10A IPD)”

[uPD166033](#)

2.4.3 uPD166027T1J

Please refer to data sheet “uPD166027T1J (3A IPD)”

[uPD166027](#)

3. Quick Start

3.1 How to connect Fuse Box to a PC

The figure below shows how to connect the Fuse Box to a PC.

- Connect Peak Adapter via CAN Connector to the Fuse Box
- Connect Peak Adapter to a PC

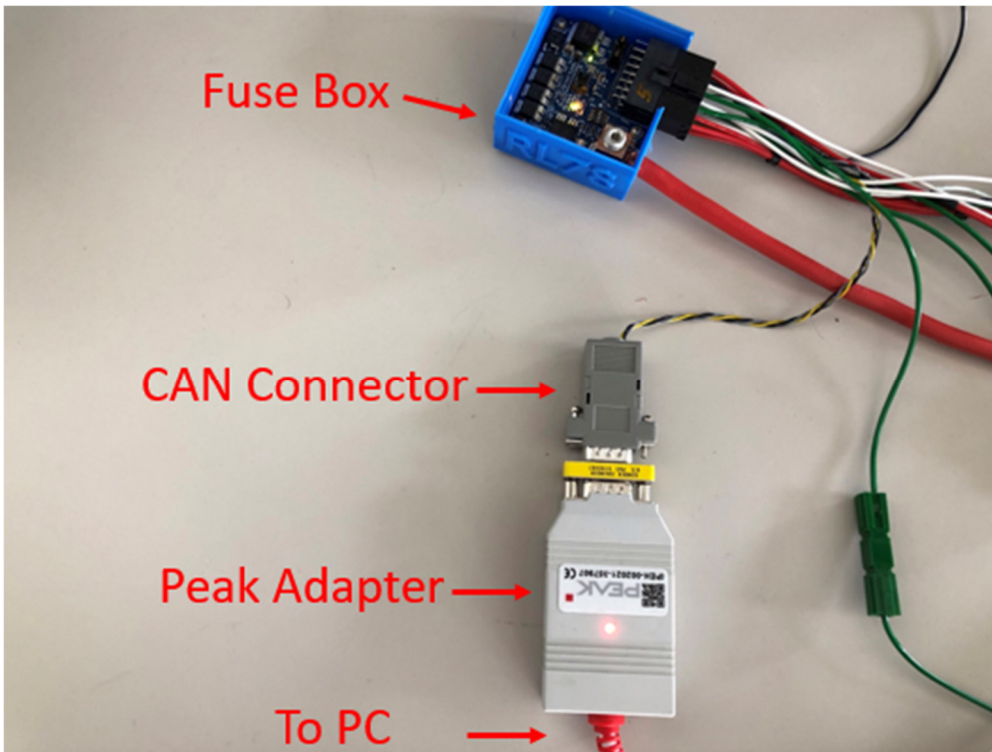


Figure 4: Pictures to show how to connect Fuse Box to PC

3.2 How to connect Battery Voltage, Ground and Loads

The figure below shows how to connect the Fuse Box board with Loads and Ground.

- Connect Battery to Battery Connector
 - Please use 12V as a typical supply voltage
 - The voltage supply range is from 4,5V to 28V
- Connect Loads and Ground to the Fuse Box
 - The color of ground connection is as follows:
 - Ground: black
 - The color of load cables is as follows:
 - 30A channel: red
 - 10A channel: white
 - 3A channel: green

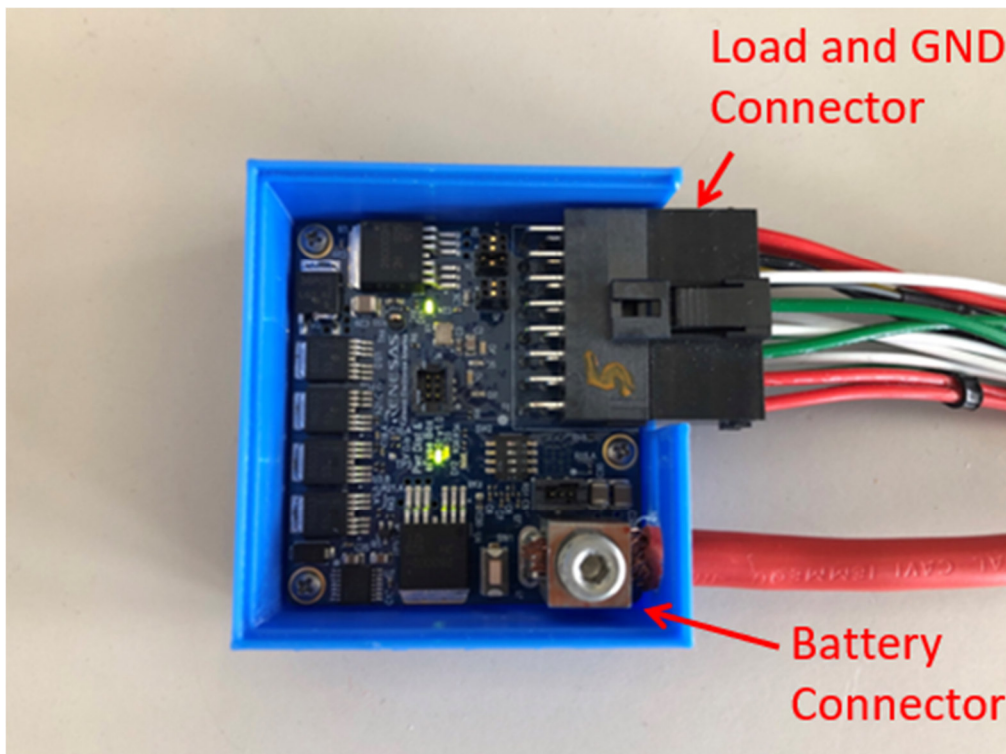


Figure 5: Pictures to show how to connect Fuse Box to Battery, GND and Loads

3.3 How to set DIP switches for “Quick Start”

DIP1 = no function

DIP2 = no function

DIP3 = no function

DIP4 = on (with GUI)

3.4 How to connect GUI to Fuse Box (via CAN)

The figure below shows how to connect GUI to the Fuse Box after starting the GUI: select “Connect to PEAK CAN”.

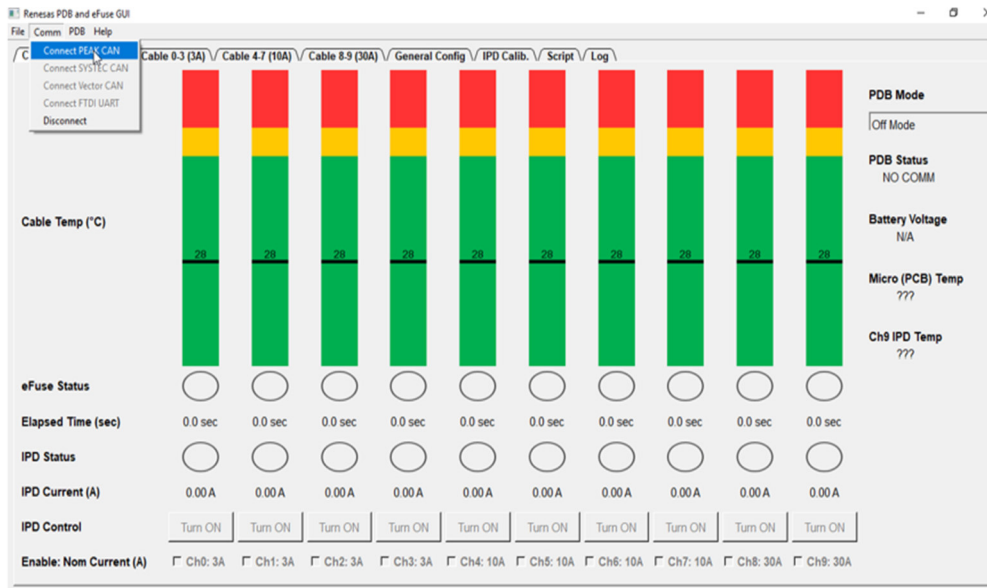


Figure 6: How to connect GUI to Fuse Box

After GUI is connected to Fuse Box there is a green “ok” for PCB status.

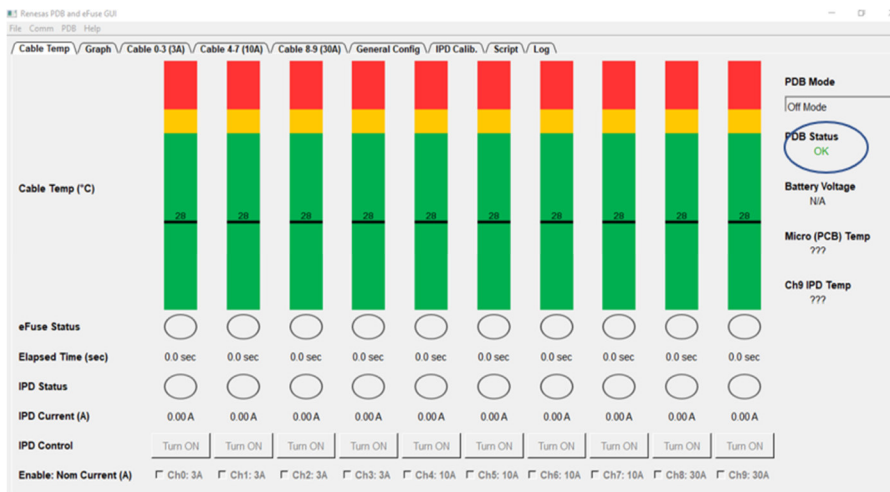


Figure 7: PDB status after connection to GUI

3.5 Selection of PDB Modes

The picture below shows how to select PDB Modes.

- Off Mode
- On Mode (Normal Mode)
- Parking Emulation Mode
- Calibration Mode



Figure 8: Selection of PDB mode

3.6 How to set fuse parameter

In the picture below shows how to configure fuse parameter. The user can select between

- Cable Parameter Method
- Two Point Method

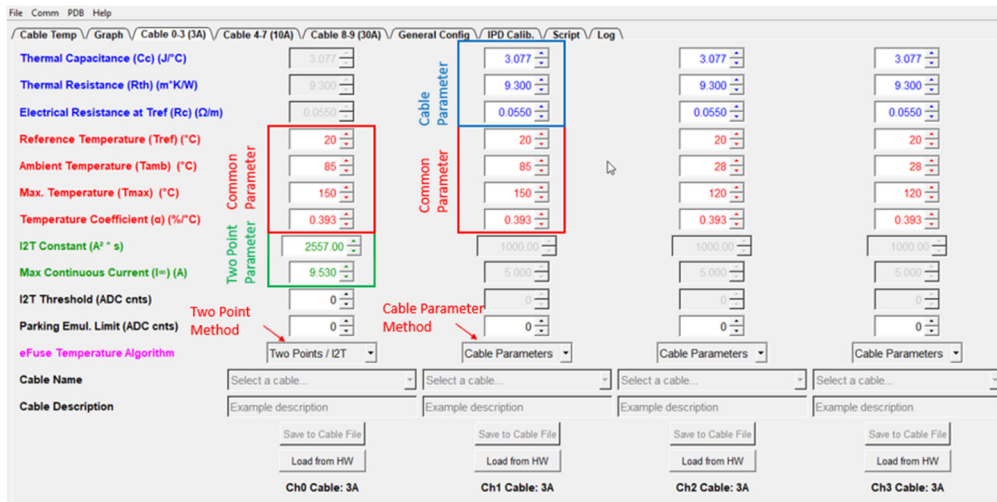


Figure 9: Most important parameter

To store configured parameter, proceed the following steps:

- Turn on related channel
- Deselect related channel
- To check whether parameter have been stored push “Load from HW”

3.7 How to save plots

The picture below shows how to save the related plot. Please push “Save to file” button. The plot can be saved in “csv” format. It is possible to open the file either in EXCEL or with an Editor.

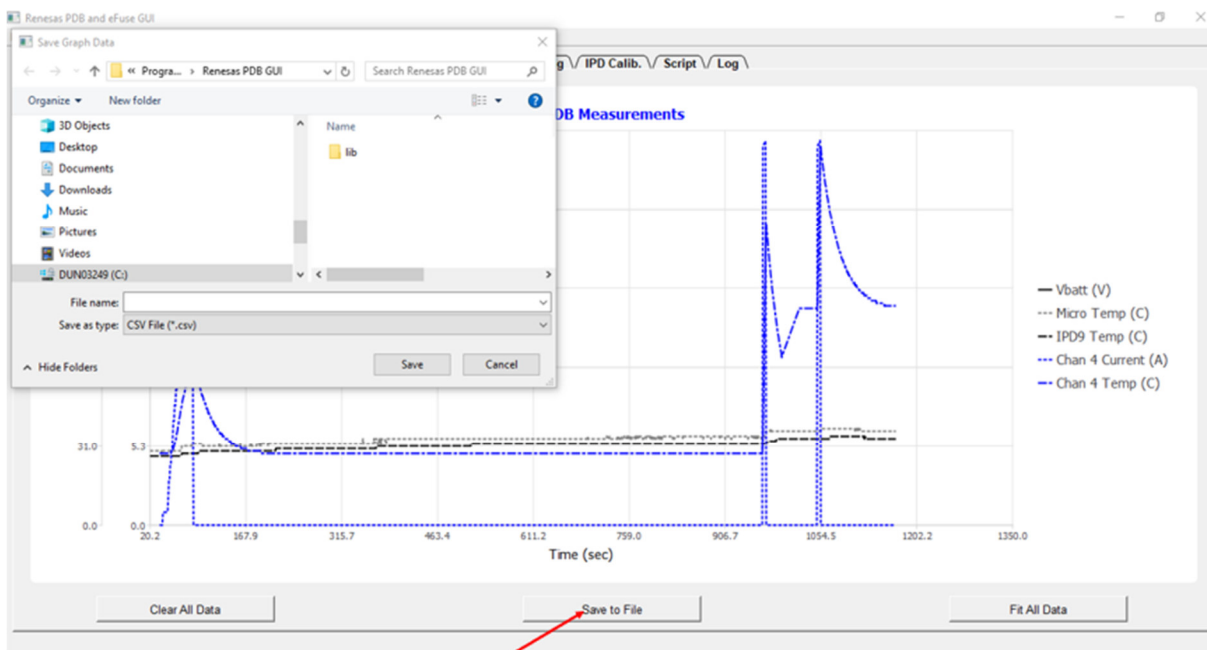


Figure 10: How to save plots

4. How to calibrate IPD's

All IPD's have been already calibrated and values are stored inside "Data Flash" of the "microcontroller". If a new calibration is required, the picture below describes how to calibrate the IPD's.

The screenshot shows a software interface for IPD calibration. At the top, there is a menu bar with options: File, Comm, PDB, Help. Below the menu bar, there are tabs for different cable types: Cable Temp, Graph, Cable 0.3 (3A), Cable 4.7 (10A), Cable 8.9 (30A), General Config, IPD Calib., Script, and Log. The main area is titled "Start calibration and follow instructions". It features an "IPD #" input field with the value "0", a "Start IPD Calibration" button, and an "Erase IPD Calibration" button. A red arrow points to the "Start IPD Calibration" button with the text "Select channel". Below the buttons, there is a text box with instructions: "Select the IPD to calibrate and then select the 'start' button. Each IPD has 2 calibration phases: offset and gain. A precise current load (each IPD's nominal max current) is required to calibrate the gain. A popup window will guide the user. The calibration for the current IPD can also be erased by selecting the 'erase' button." To the right of the main area, there is a "Board Description:" field with a text input area containing "Example Description". Below the main area, there is a table showing calibration data for 10 IPD channels. The table has columns for Nominal Gain (KILIS), Actual Gain, Corrected Gain, and IPD Offset (ADC cnts) for each channel. The channels are labeled as IPD 0: 3A, IPD 1: 3A, IPD 2: 3A, IPD 3: 3A, IPD 4: 10A, IPD 5: 10A, IPD 6: 10A, IPD 7: 10A, IPD 8: 30A, and IPD 9: 30A.

	IPD 0: 3A	IPD 1: 3A	IPD 2: 3A	IPD 3: 3A	IPD 4: 10A	IPD 5: 10A	IPD 6: 10A	IPD 7: 10A	IPD 8: 30A	IPD 9: 30A
Nominal Gain (KILIS)	3400	3400	3400	3400	12000	12000	12000	12000	70000	70000
Actual Gain	3569	3606	3606	3550	11341	11853	11487	11578	72386	70000
Corrected Gain	3399.9	3399.4	3399.4	3399.7	11999.5	11999.3	11999.2	11999.0	69999.7	70000.0
IPD Offset (ADC cnts)	0	0	0	0	0	0	0	0	2	0

Figure 11: Calibration procedure

5. How to select Parking Mode

The figure 12 below shows how to select Parking Mode.

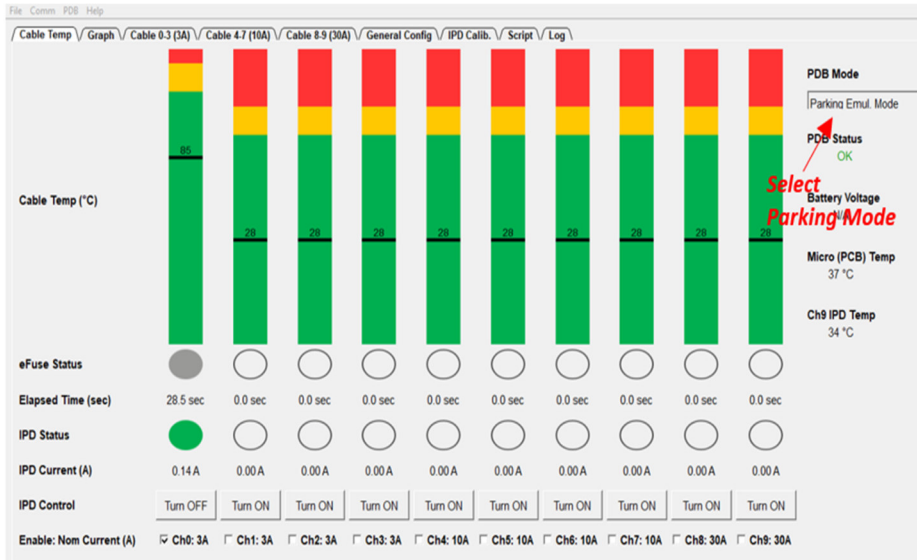


Figure 12: Selection of IPD's

Figure 13 below shows how to configure “Parking Emulation Limit” (ADC value). The value can be calculated in Ampere for each channel:

CH0 – CH3: 1LSB = 16mA

CH4 – CH7: 1LSB = 60mA

CH8 – CH9: 1LSB = 330mA

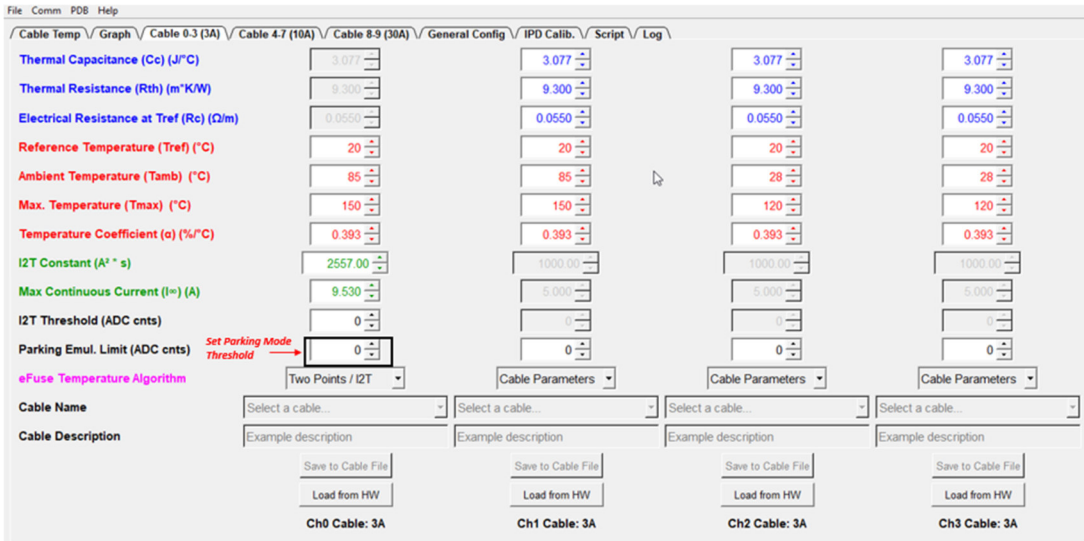


Figure 13: Select Parking Mode Threshold

The transition from “Parking Mode” to “Normal Mode” can be seen in Figure 13. If the current is below “Parking Emulation Limit” there is no e-fuse calculation (status is gray). If

the current is equal or above "Parking Emulation Limit" the e-fuse calculation starts (status is green)

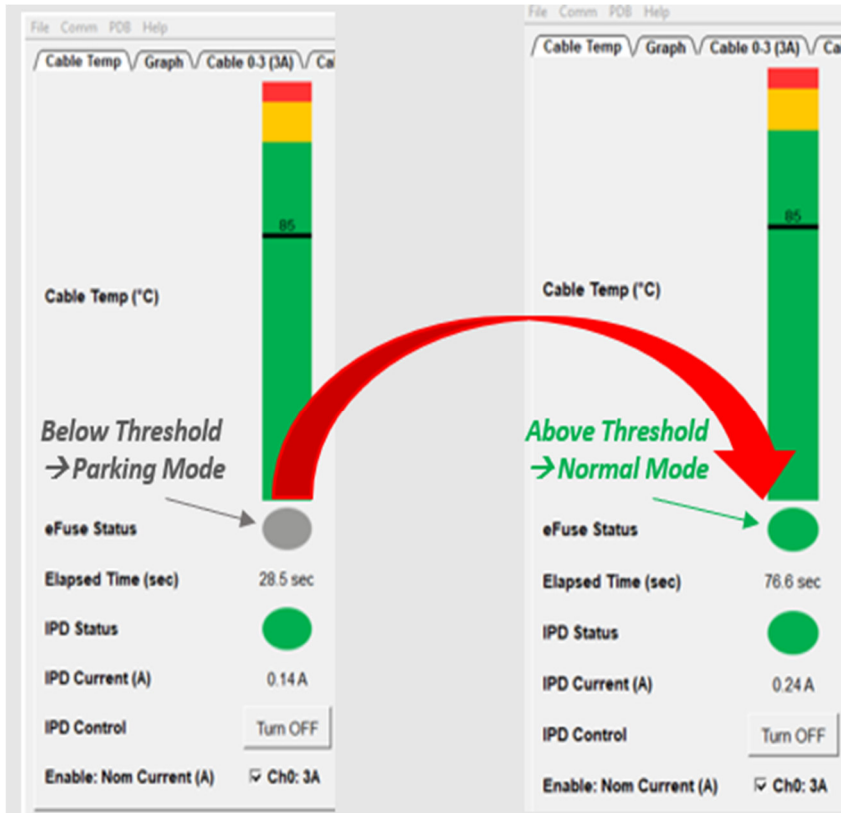


Figure 14: Parking Mode → Normal Mode

6. How to read diagnosis

6.1 Diagnosis in “on-state” and “off-state”

The following diagnosis items can be checked in “on-state” or “off-state”

- OC (over current, on state)
- OT (over temperature, on state)
- SCG (short circuit to ground, on state)
- OL (open load, off state)

The IPD’s switch off very fast in case of detection of diagnosis in “on-state”.

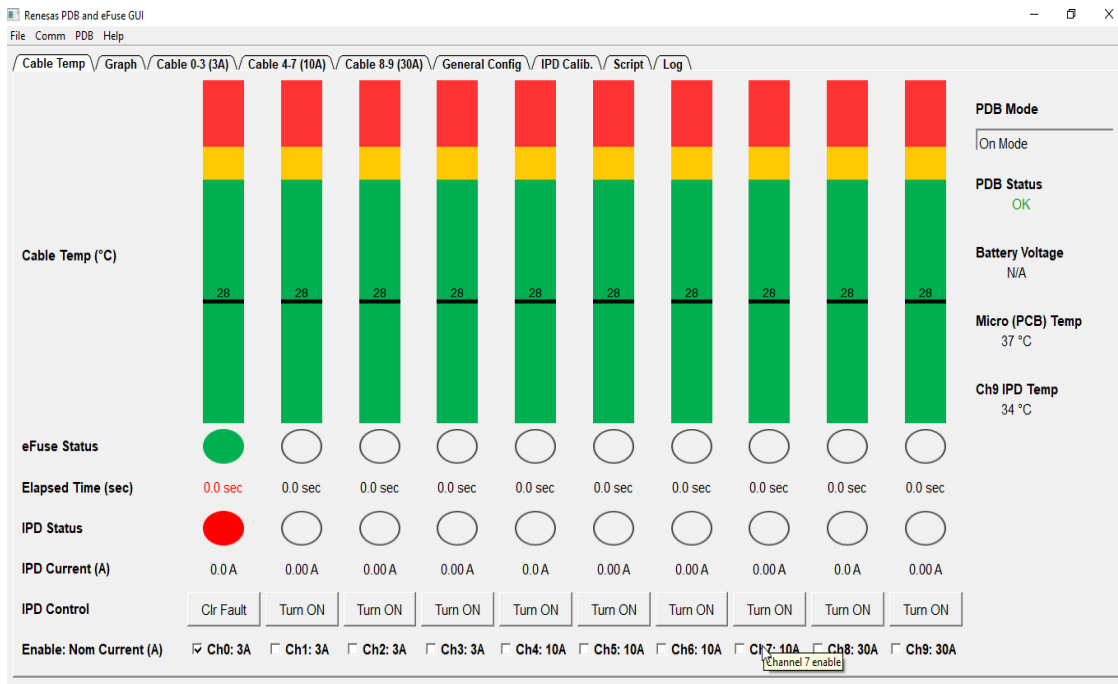


Figure 15: Figure to show ADC value in case of failure in “On-state”

The user can restart the system after failure detection with “Clr Fault”. Please refer to the figure above.

7. Appendix

7.1 Example of cable

An example of FLRY cable can be seen in the figure below.

FLRY mit dünnwandiger PVC-Isolierung

Typ A / Typ B



Temperaturbereich (3.000 h)

-40 °C bis +105 °C

Aufbau / Werkstoffe

Leiter Weichgeglühtes Elektrolytkupfer
Cu-ETP1 nach DIN EN 13602,
blank oder verzinkt

Leiteraufbau gemäß ISO 6722-1

Isolierung Weich-PVC mit Eigenschaften
gemäß ISO 6722-1, Klasse B

Normen / Spezifikationen

BMW GS 95007-1-1 · VW 60306-1 · DBL 6312

Ford ES-AU5T-1A348 · LV 112-1 · MAN 3135

Nenn- quer- schnitt	Leiteraufbau				Isolierung	Kabel		Gewicht ca.
	Anzahl Einzel- drähte*	Einzel- draht-Ø max.	Leiter-Ø max.	Elektr. Widerstand bei 20 °C blank/verzinkt max.		Wand- dicke min.	Außen-Ø	
					max.		zu- lässige Abwei- chung	
mm ²		mm	mm	mΩ/m	mm	mm	mm	kg/km
FLRY – Typ A								
0,22	7	0,21	0,7	84,8 / 86,5	0,20	1,2	-0,1	3
0,35**	7	0,26	0,8	54,4 / 55,5****	0,20	1,3	-0,1	5
0,5	19	0,19	1,0	37,1 / 38,2	0,22	1,6	-0,2	7
0,75	19	0,23	1,2	24,7 / 25,4	0,24	1,9	-0,2	9
1	19	0,26	1,35	18,5 / 19,1	0,24	2,1	-0,2	11
1,25	19	0,3	1,7	14,9 / 15,9	0,24	2,3	-0,2	15
1,5	19	0,32	1,7	12,7 / 13,0	0,24	2,4	-0,2	16
2	19	0,38	2,0	9,42 / 9,69	0,28	2,8	-0,3	22
2,5	19	0,41	2,2	7,6 / 7,82	0,28	3	-0,3	26
FLRY – Typ B								
0,35	12	0,21	0,9	54,4 / 55,5****	0,20	1,4	-0,2	5
0,5	16	0,21	1,0	37,1 / 38,2	0,22	1,6	-0,2	7
0,75	24	0,21	1,2	24,7 / 25,4	0,24	1,9	-0,2	9
1	32	0,21	1,35	18,5 / 19,1	0,24	2,1	-0,2	11
1,25	16	0,33	1,7	14,9 / 15,9	0,24	2,3	-0,2	14
1,5	30	0,26	1,7	12,7 / 13,0	0,24	2,4	-0,2	16

Figure 16: Example of a cable specification

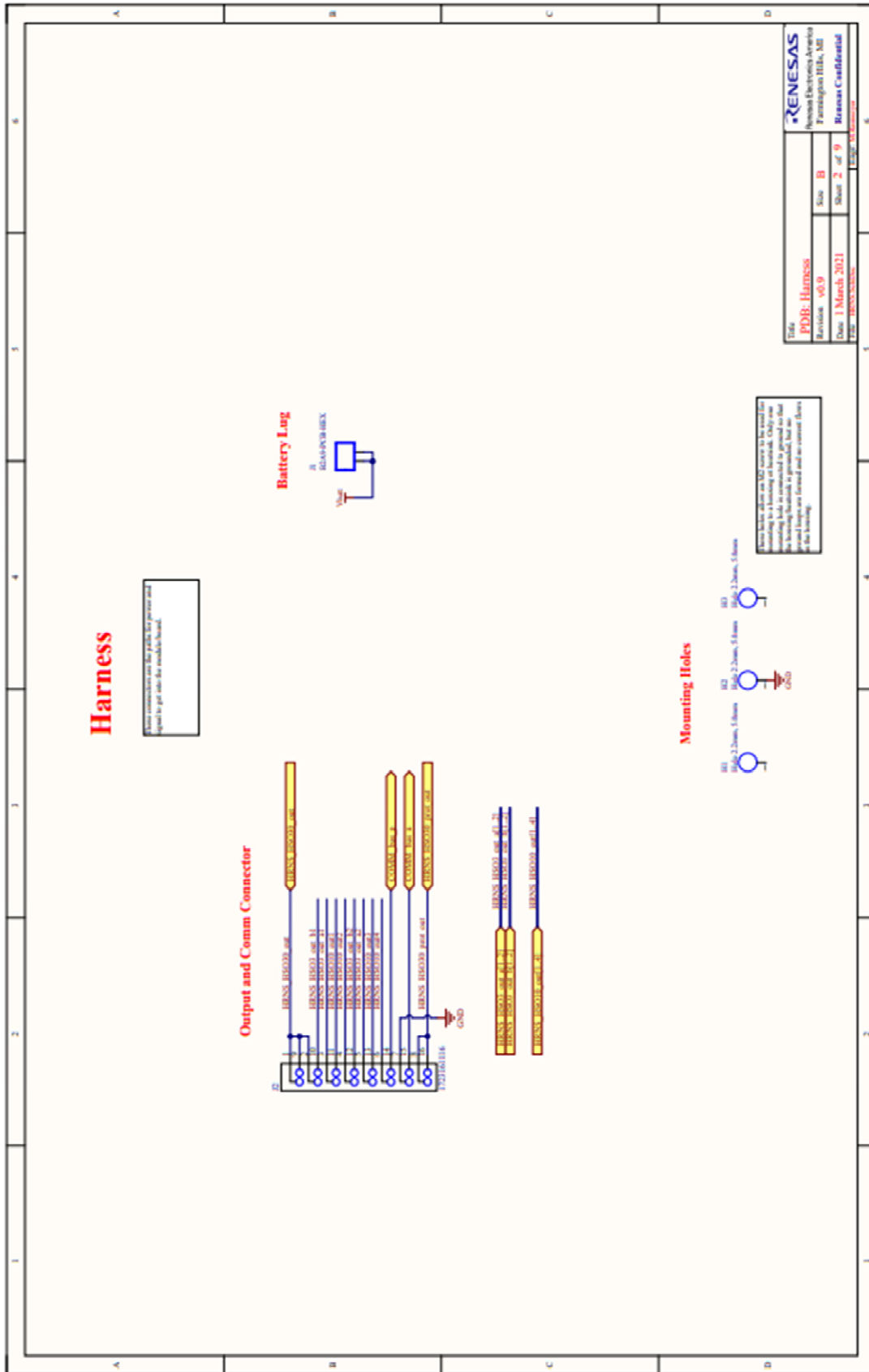


Figure 18: Schematic of "Wire Harness"

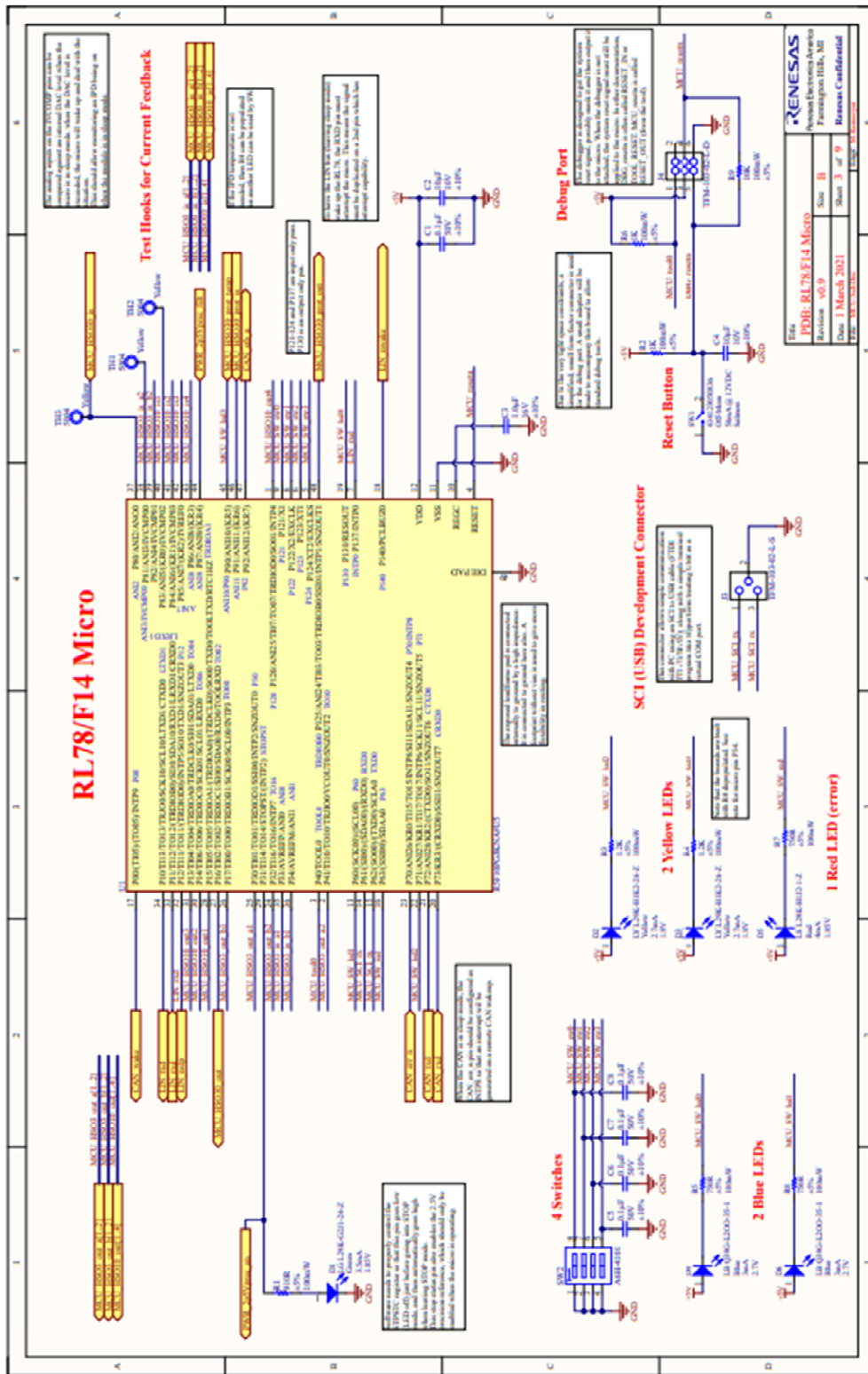


Figure 19: Schematic of “RL78/F14”

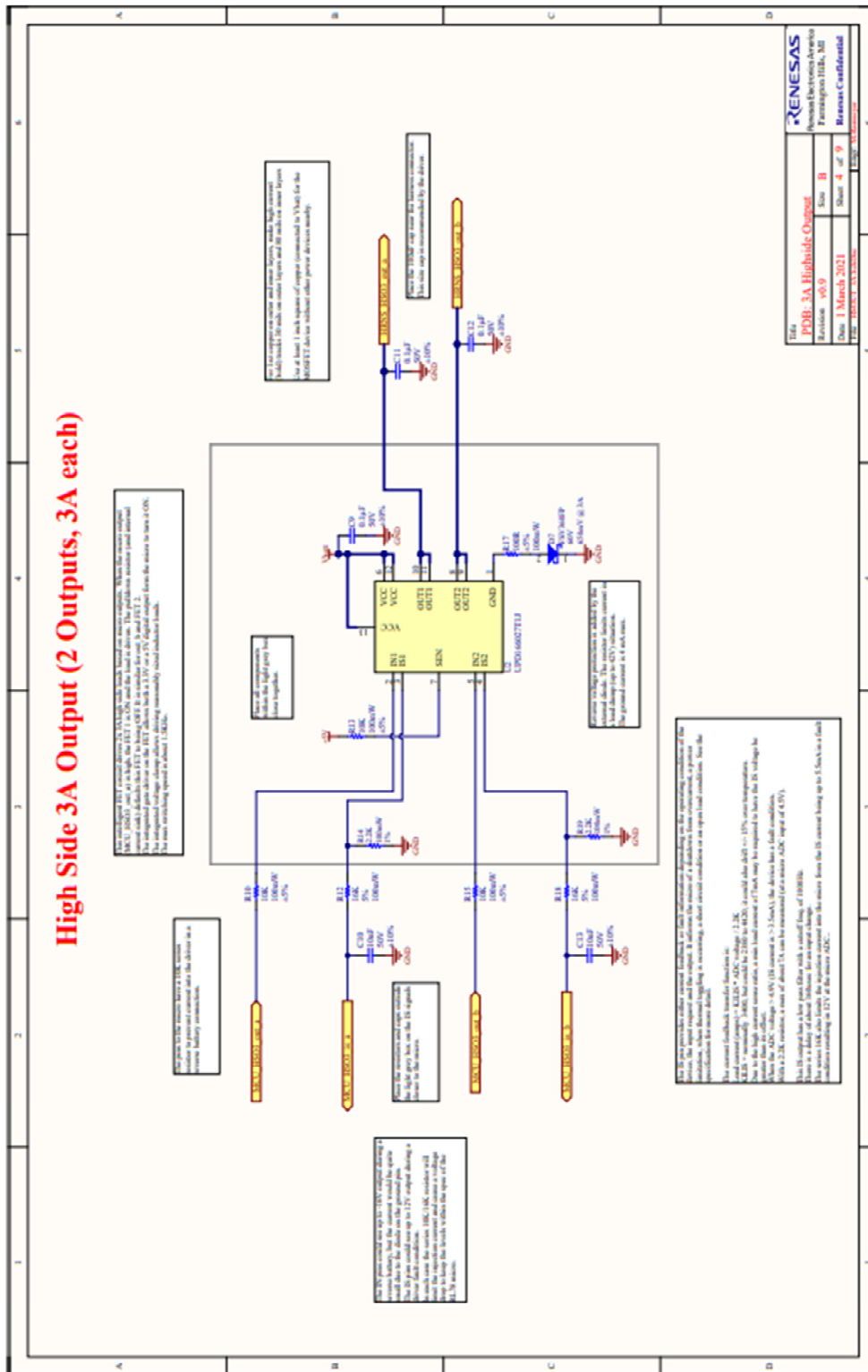


Figure 20: Schematic of “3A IPD”

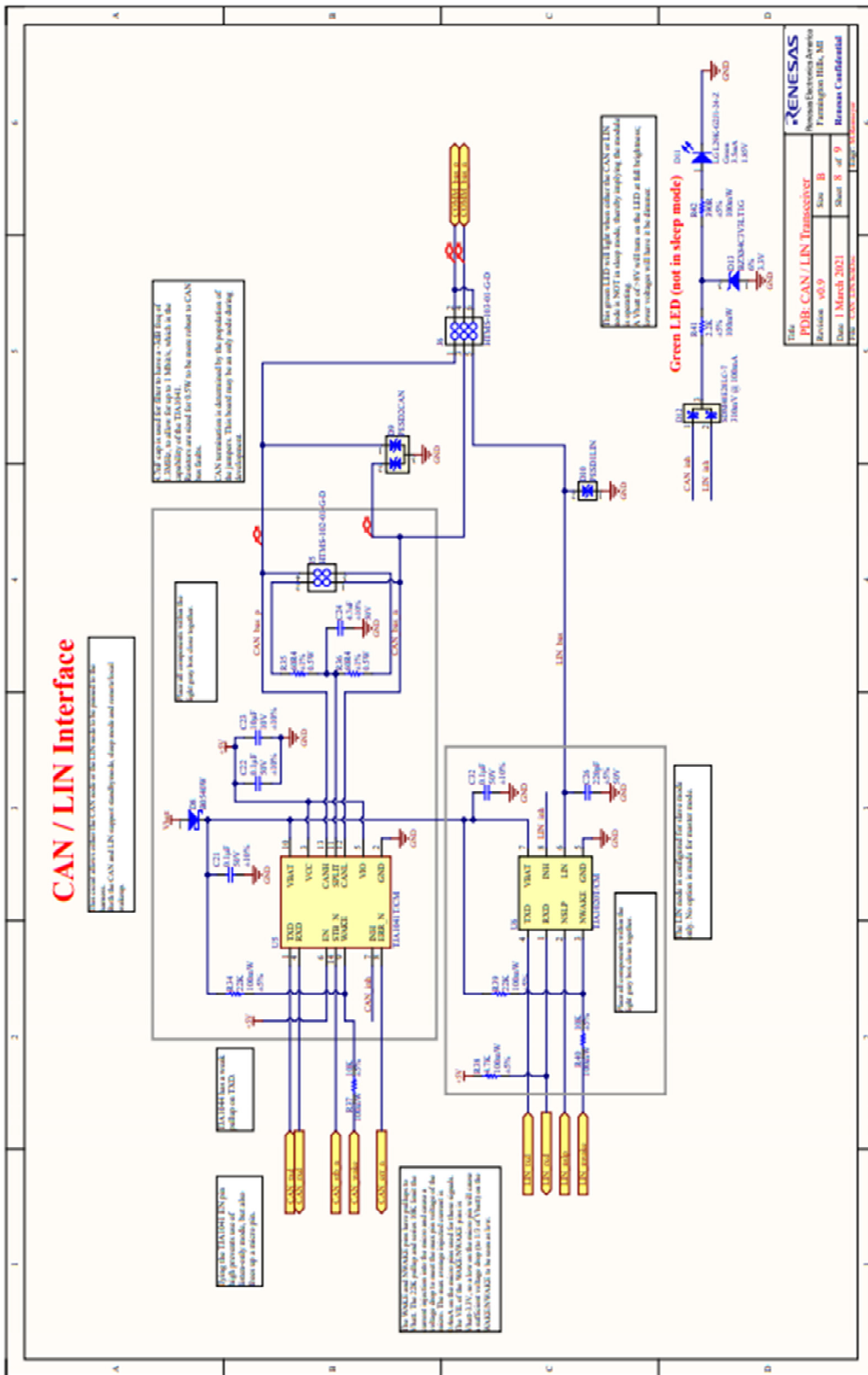


Figure 24: Schematic of “CAN and LIN Interface”

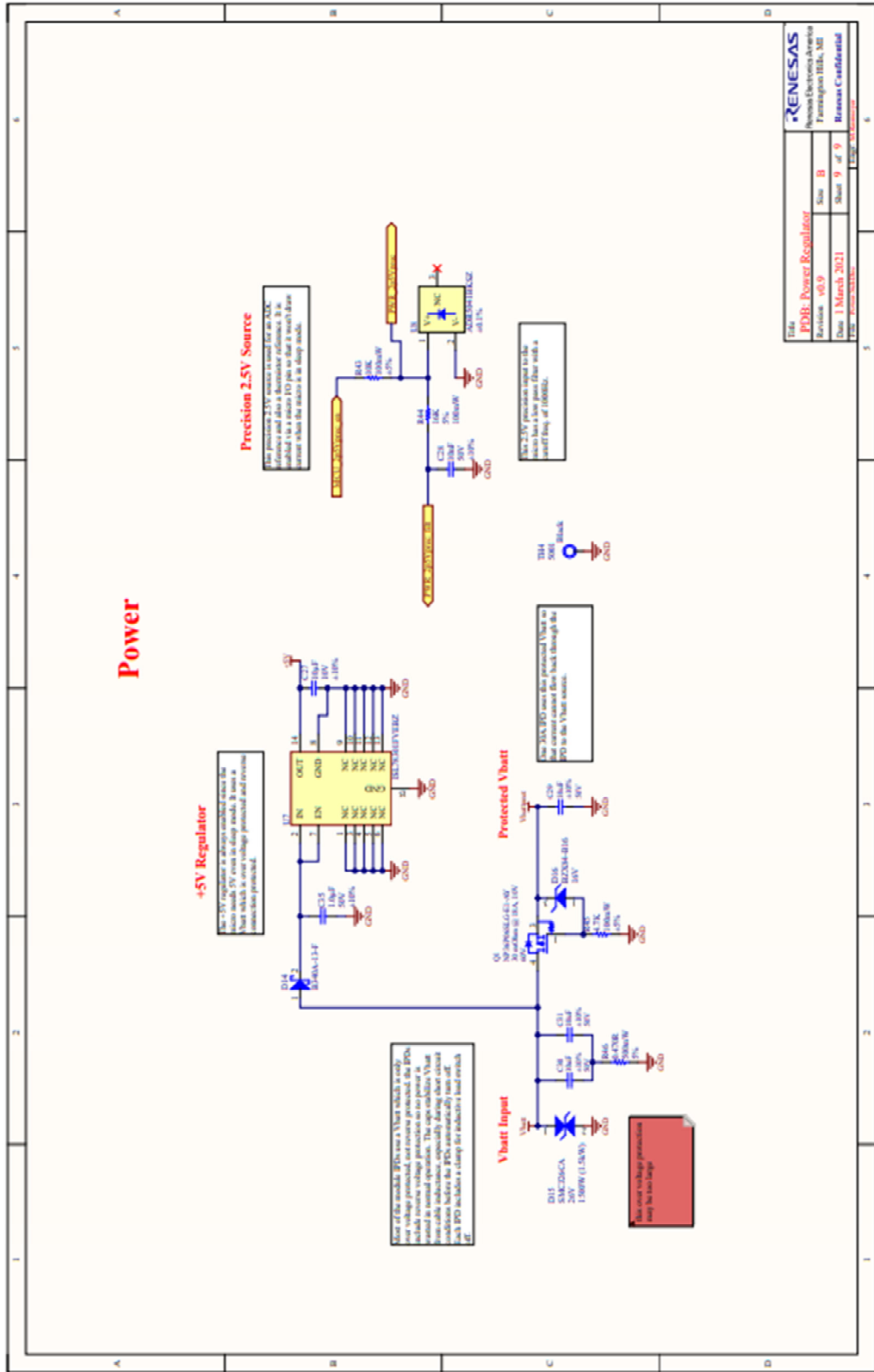


Figure 25: Schematic of “Power Supply”

The picture below shows the layout of the “fuse box”.

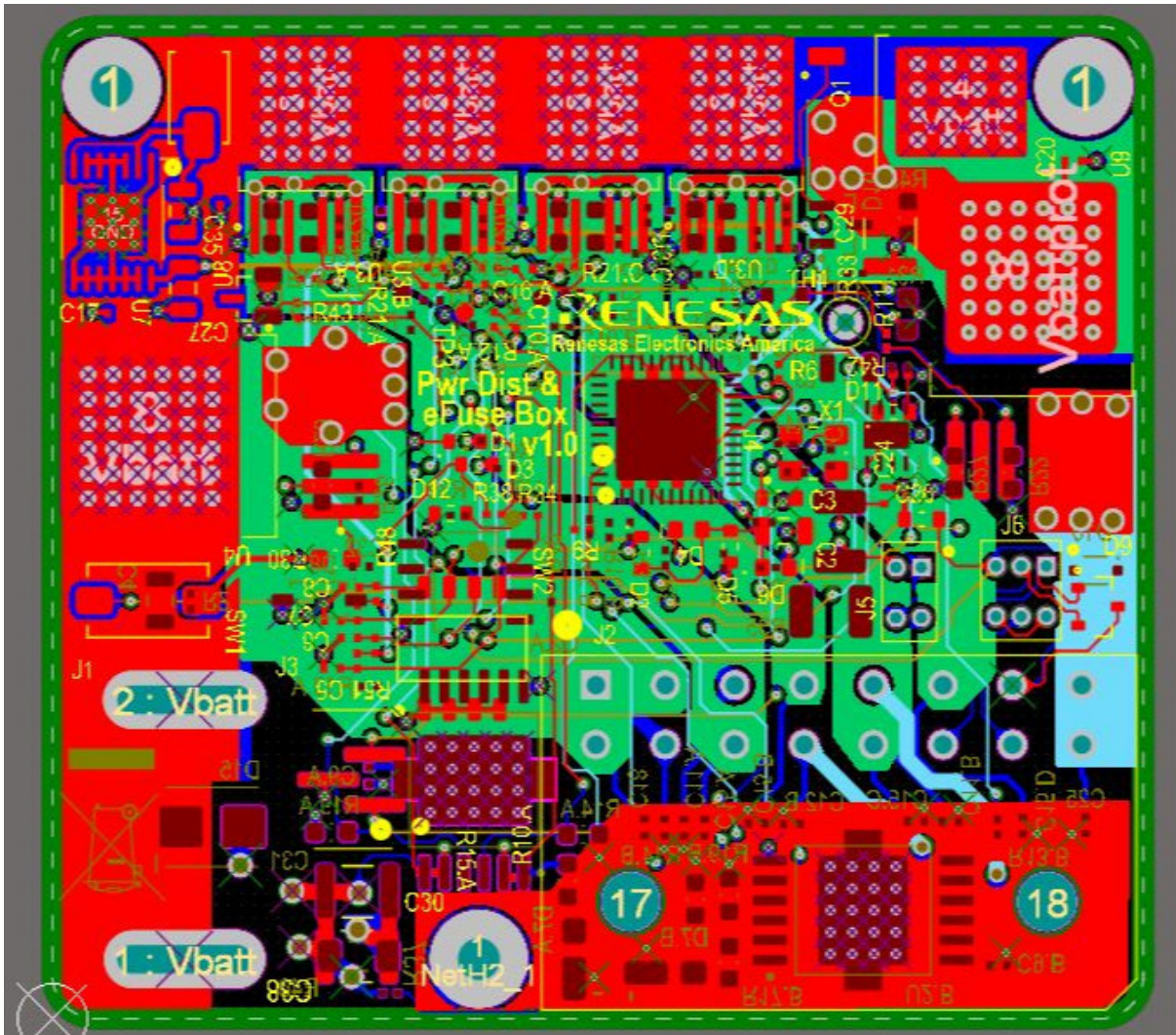


Figure 26: Layout of the “Fuse Box (all layer)”

Revision History

Rev.	Date	Description	
		Page	Summary
V1.00	2021-06-30	–	Initial release
V1.01	2021-08-30	19	Add temperature coefficient α in description
V2.00	2022-06-24	all	Change document from Debugger mode to GUI mode

RL78/F14 48pin



SALES OFFICES

Renesas Electronics Corporation

<http://www.renesas.com>

Refer to "<http://www.renesas.com/>" for the latest and detailed information.

Renesas Electronics America Inc.

1001 Murphy Ranch Road, Milpitas, CA 95035, U.S.A.
Tel: +1-408-432-8888, Fax: +1-408-434-5351

Renesas Electronics Canada Limited

9251 Yonge Street, Suite 8309 Richmond Hill, Ontario Canada L4C 9T3
Tel: +1-905-237-2004

Renesas Electronics Europe Limited

Dukes Meadow, Millboard Road, Bourne End, Buckinghamshire, SL8 5FH, U.K
Tel: +44-1628-651-700, Fax: +44-1628-651-804

Renesas Electronics Europe GmbH

Arcadiastrasse 10, 40472 Düsseldorf, Germany
Tel: +49-211-6503-0, Fax: +49-211-6503-1327

Renesas Electronics (China) Co., Ltd.

Room 1709 Quantum Plaza, No.27 ZhichunLu, Haidian District, Beijing, 100191 P. R. China
Tel: +86-10-8235-1155, Fax: +86-10-8235-7679

Renesas Electronics (Shanghai) Co., Ltd.

Unit 301, Tower A, Central Towers, 555 Langao Road, Putuo District, Shanghai, 200333 P. R. China
Tel: +86-21-2226-0888, Fax: +86-21-2226-0999

Renesas Electronics Hong Kong Limited

Unit 1601-1611, 16/F., Tower 2, Grand Century Place, 193 Prince Edward Road West, Mongkok, Kowloon, Hong Kong
Tel: +852-2265-6688, Fax: +852 2886-9022

Renesas Electronics Taiwan Co., Ltd.

13F, No. 363, Fu Shing North Road, Taipei 10543, Taiwan
Tel: +886-2-8175-9600, Fax: +886 2-8175-9670

Renesas Electronics Singapore Pte. Ltd.

80 Bendemeer Road, Unit #06-02 Hyflux Innovation Centre, Singapore 339949
Tel: +65-6213-0200, Fax: +65-6213-0300

Renesas Electronics Malaysia Sdn.Bhd.

Unit 1207, Block B, Menara Amcorp, Amcorp Trade Centre, No. 18, Jln Persiaran Barat, 46050 Petaling Jaya, Selangor Darul Ehsan, Malaysia
Tel: +60-3-7955-9390, Fax: +60-3-7955-9510

Renesas Electronics India Pvt. Ltd.

No.777C, 100 Feet Road, HAL 2nd Stage, Indiranagar, Bangalore 560 038, India
Tel: +91-80-67208700, Fax: +91-80-67208777

Renesas Electronics Korea Co., Ltd.

17F, KAMCO Yangjae Tower, 262, Gangnam-daero, Gangnam-gu, Seoul, 06265 Korea
Tel: +82-2-558-3737, Fax: +82-2-558-5338