

ISL70444SEHEVAL1Z

Evaluation Board

AN1824

Rev 0.00

February 25, 2013

**Introduction**

The ISL70444SEHEVAL1Z evaluation platform is designed to evaluate the ISL70444SEH. The ISL70444SEH contains four high speed and low power op amps designed to take advantage of its full dynamic input and output voltage range with rail-to-rail operation. By offering low power, low offset voltage, and low temperature drift coupled with its high bandwidth and enhanced slew rates upwards of 50V/μs, these op amps make it ideal for applications requiring both high DC accuracy and AC performance. This amplifier is designed to operate over a single supply range of 2.7V to 40V or a split supply voltage range of ±1.35V to ±20V. The ISL70444SEH is manufactured in Intersil's PR40, silicon on insulator, BiCMOS process. This process assures the device is immune to a single event latch-up and provides excellent radiation tolerance. This makes it the ideal choice for high reliability applications in harsh radiation-prone environments.

**Reference Documents**

- ISL70444SEH Data Sheet [FN8411](#)
- ISL70444SEH SMD [5962-13214](#)
- ISL70444SEH [Radiation Test Report](#)

**Evaluation Board Key Features**

- Single or dual supply operation: ±1.35V to ±20V or 2.7V to 40V
- Singled-ended or differential input operation with gain (G = 10V/V)
- External VREF input
- Banana Jack connectors for power supply and VREF inputs
- BNC connectors for op amp input and output terminals
- Convenient PCB pads for op amp input/output impedance loading

**Power Supply Connections**

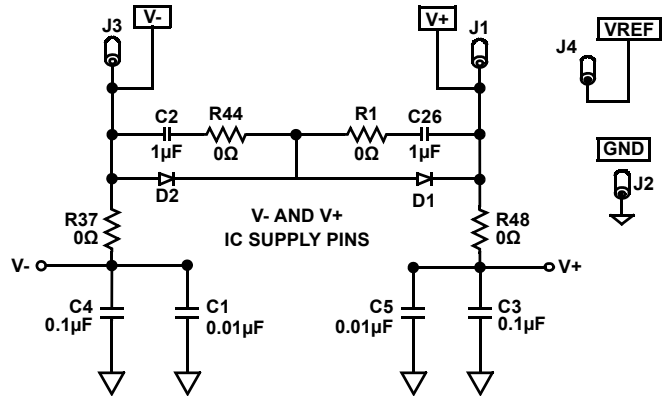


FIGURE 1. POWER SUPPLY CIRCUIT

Figure 1 demonstrates the power supply connections, decoupling and protection circuitry. External power connections are made through the V+, V-, VREF, and GND banana jack connections on the evaluation board. De-coupling capacitors C2 and C26 provide low-frequency power-supply filtering, while additional capacitors (C1, C3, C4 and C5, connected close to the part) filter out high frequency noise, and are connected to their respective supplies through R37 and R48 resistors. These resistors are 0Ω but can be changed by the user to provide additional power supply filtering, or to reduce the supply voltage rate-of-rise time. Anti-reverse diodes D1 and D2 protect the circuit in case of momentarily reversing the power supplies accidentally to the evaluation board. The VREF pin can be connected to ground to establish a ground referenced input for split supply operation.

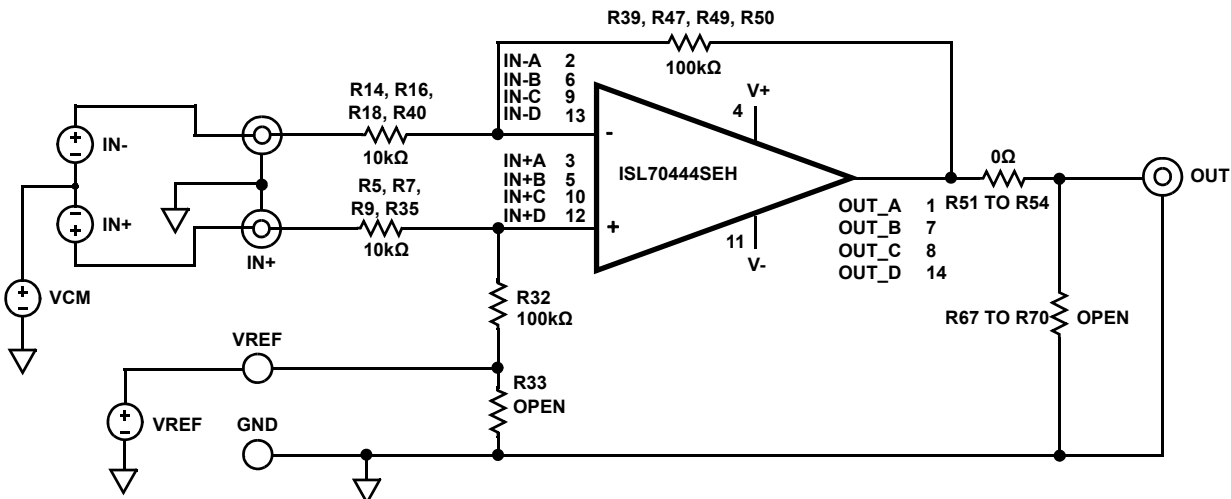


FIGURE 2. BASIC DIFFERENTIAL AMPLIFIER CONFIGURATION

## Amplifier Configuration

A simplified schematic of the evaluation board is shown in Figure 2. The input stage with the components supplied is shown in Figure 3. The circuit implements a Hi-Z differential input with unbalanced common mode impedance. The differential amplifier gain is expressed in Equation 1:

$$V_{OUT} = (V_{IN+} - V_{IN-}) \cdot (R_F/R_{IN}) + V_{REF} \quad (EQ. 1)$$

For a single-ended input with an inverting gain  $G = -10V/V$ , the IN+ input is grounded and the signal is supplied to the IN- input. VREF must be connected to a reference voltage between the V+ and V- supply rails. For a non-inverting operation with  $G = 11V/V$ , the negative input (IN-) is grounded and the signal is supplied to the positive input (IN+). The non-inverting gain is strongly dependent on any resistance from IN- to GND. For good gain accuracy, a 0Ω resistor should be installed on the empty R11 pad.

## User-selectable Options

Component pads are included to enable a variety of user-selectable circuits to be added to the amplifier inputs, the VREF input, outputs and the amplifier feedback loops.

A voltage divider can be added to establish a power supply-tracking common mode reference using the VREF input. The inverting and non-inverting inputs have additional resistor and capacitor placements for adding input attenuation or feedback capacitors (Figure 3).

The outputs (Figure 4) also have additional resistor and capacitor placements for filtering and loading.

**Note:** Operational amplifiers are sensitive to output capacitance and may oscillate. In the event of oscillation, reduce output capacitance by using shorter cables, or add a resistor in series with the output.

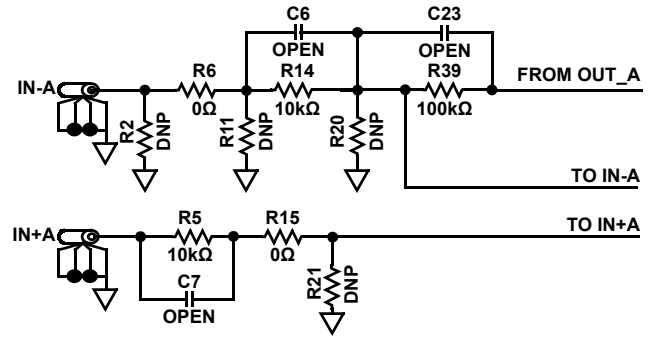


FIGURE 3. INPUT STAGE

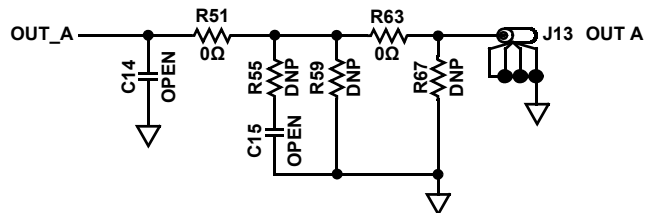


FIGURE 4. OUTPUT STAGE

TABLE 1. ISL70444SEHEVAL1Z COMPONENTS PARTS LIST

DEVICE #	DESCRIPTION	COMMENTS
C1, C5	CAP, SMD, 0805, 0.01 $\mu$ F, 50V, 10%, X7R, ROHS	Power Supply Decoupling
C2, C26	CAP, SMD, 1210, 1 $\mu$ F, 50V, 10%, X7R, ROHS	Power Supply Decoupling
C3, C4	CAP, SMD, 0805, 0.1 $\mu$ F, 25V, 10%, X7R, ROHS	Power Supply Decoupling
C6 - C25	CAP, SMD, 0603, Open-Place Holder, ROHS	User Selectable Capacitors - Not Populated
D1, D2	40V Schottky Barrier Diode	Reverse Power Protection
J1 - J4	Johnson Components Standard Type Banana Jack, 108-0740-001	Power Supply and Reference Voltage Connector
J5 - J16	AMPHENOL BNC Connector, 31-5329-52RFX	Connections for Input and Output
R32	Resistor, SMD, 0603, 100k $\Omega$ , 1%, ROHS	VREF Resistor Divider
R5, R7, R9, R14, R16, R18, R35, R40	Resistor, SMD, 0603, 10k $\Omega$ , 1%, 1/16W, ROHS	Gain Setting Resistor
R39, R47, R49, R50	Resistor, SMD, 0603, 100k $\Omega$ , 1%, 1/16W, ROHS	Gain Setting Feedback Resistor
R2, R3, R4, R11, R12, R13, R20, R21, R22, R23, R25, R26, R28, R30, R31, R33, R34, R38, R42, R43, R46, R55, R56, R57, R58, R59, R60, R61, R62, R62, R67, R68, R69, R70	Resistor, SMD, 0603, DNP-Place Holder, ROHS	User Selectable Resistors - Not Populated
U1	ISL70444SEH, 40V Radiation Hardened, Low Noise Quad Operational Amplifier	

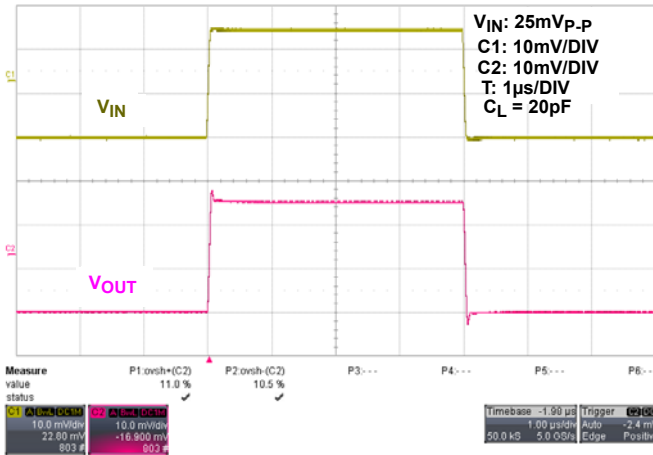


FIGURE 5. SMALL SIGNAL STEP RESPONSE ( $\pm 18$ V)

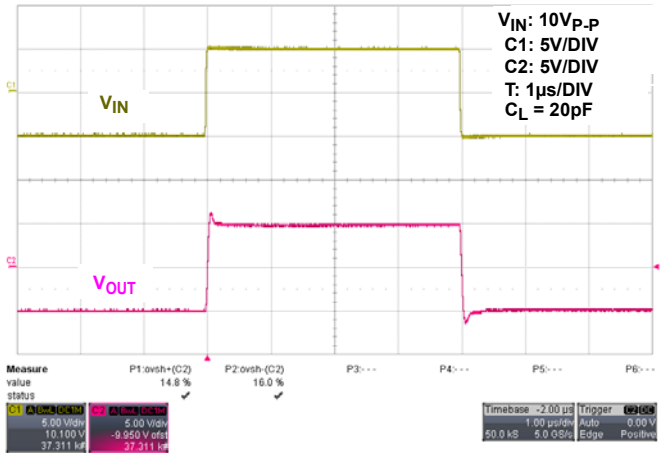


FIGURE 6. LARGE SIGNAL STEP RESPONSE ( $\pm 18$ V)

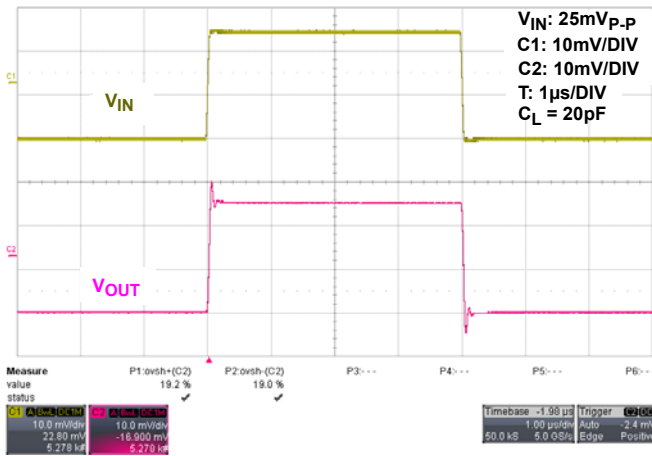


FIGURE 7. SMALL SIGNAL STEP RESPONSE ( $\pm 2.5V$ )

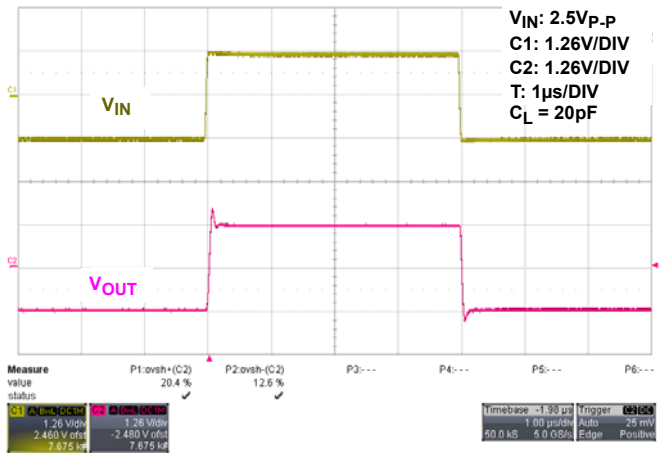


FIGURE 8. LARGE SIGNAL STEP RESPONSE ( $\pm 2.5V$ )

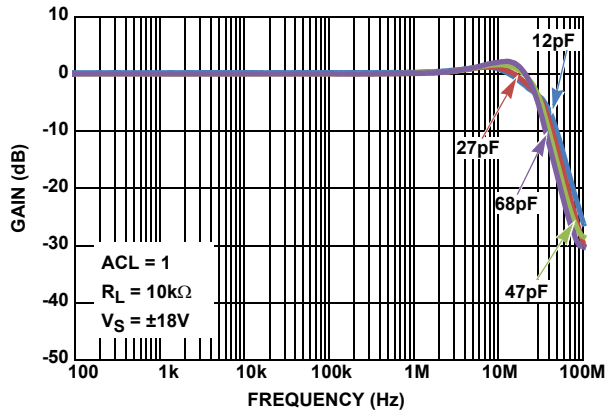


FIGURE 9. ( $V_S = \pm 18V$ ) UNITY GAIN RESPONSE vs CL

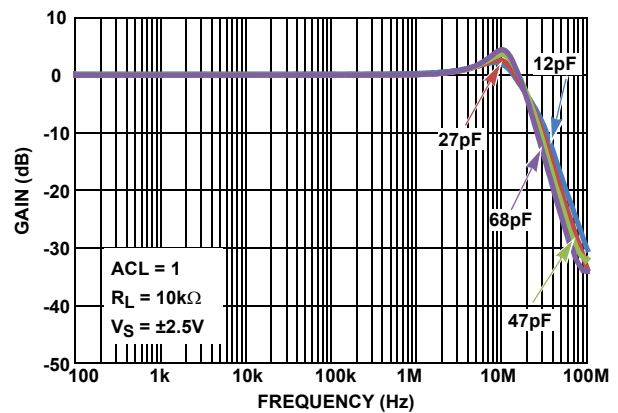


FIGURE 10. ( $V_S = \pm 2.5V$ ) UNITY GAIN RESPONSE vs CL

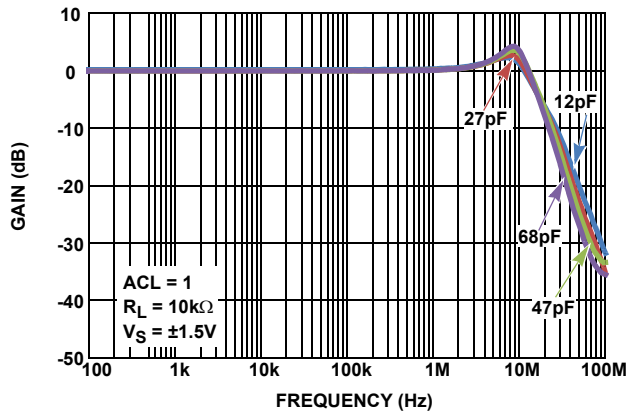


FIGURE 11. ( $V_S = \pm 1.5V$ ) UNITY GAIN RESPONSE vs CL

# ISL70444SEHEVAL1Z Layout

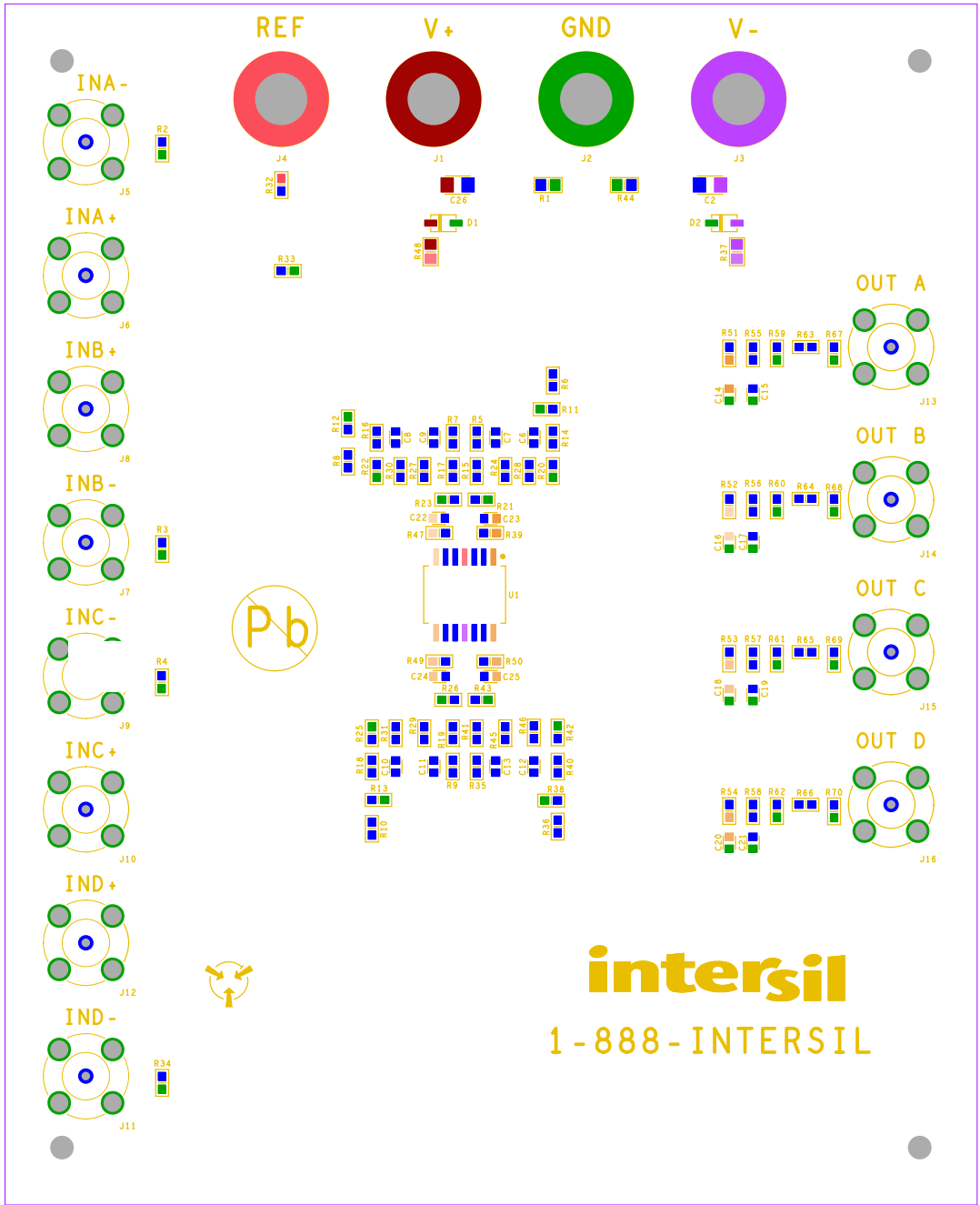


FIGURE 12. TOP VIEW

# ISL70444SEHEVAL1Z Layout (Continued)

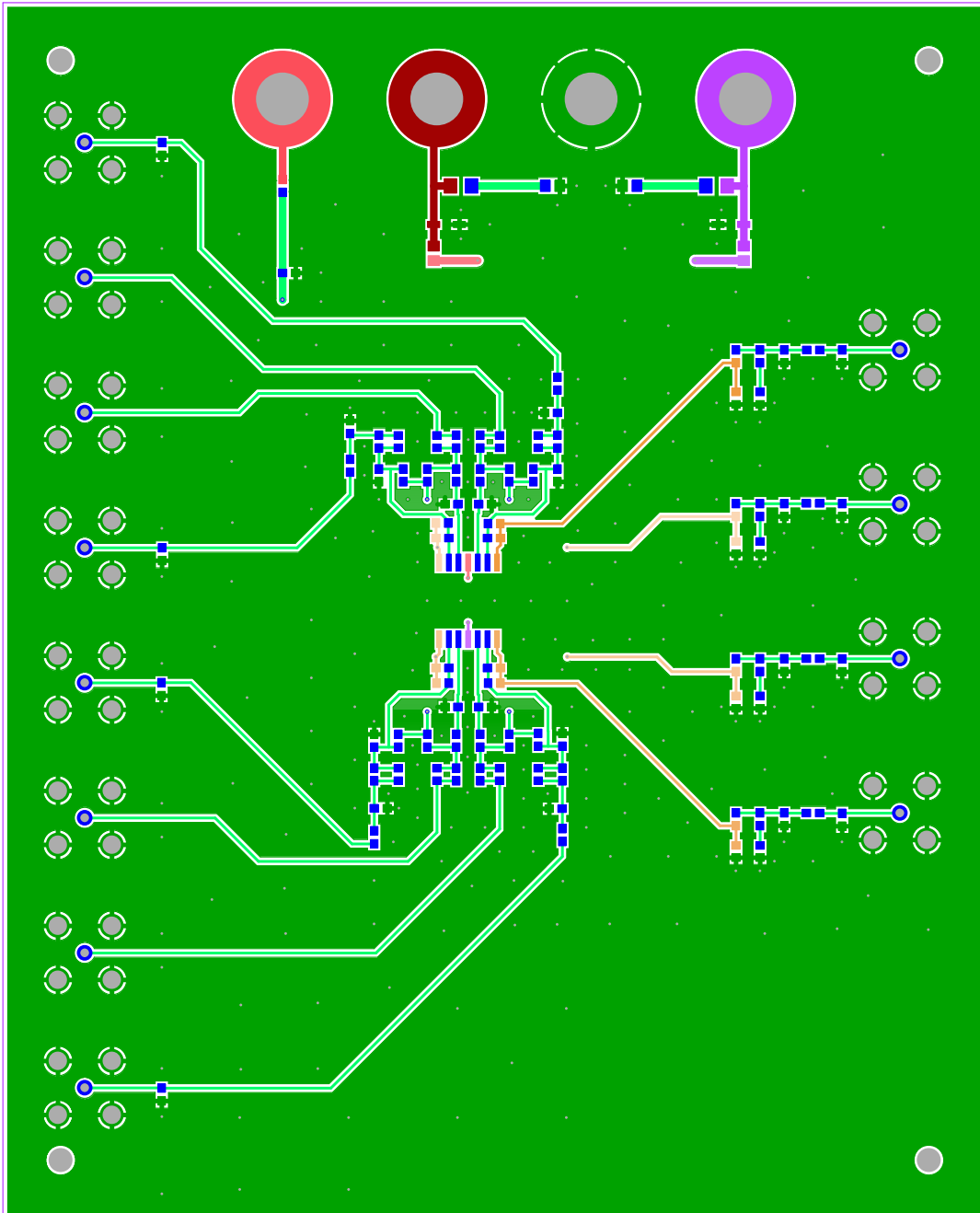


FIGURE 13. TOP LAYER

# ISL70444SEHEVAL1Z Layout (Continued)

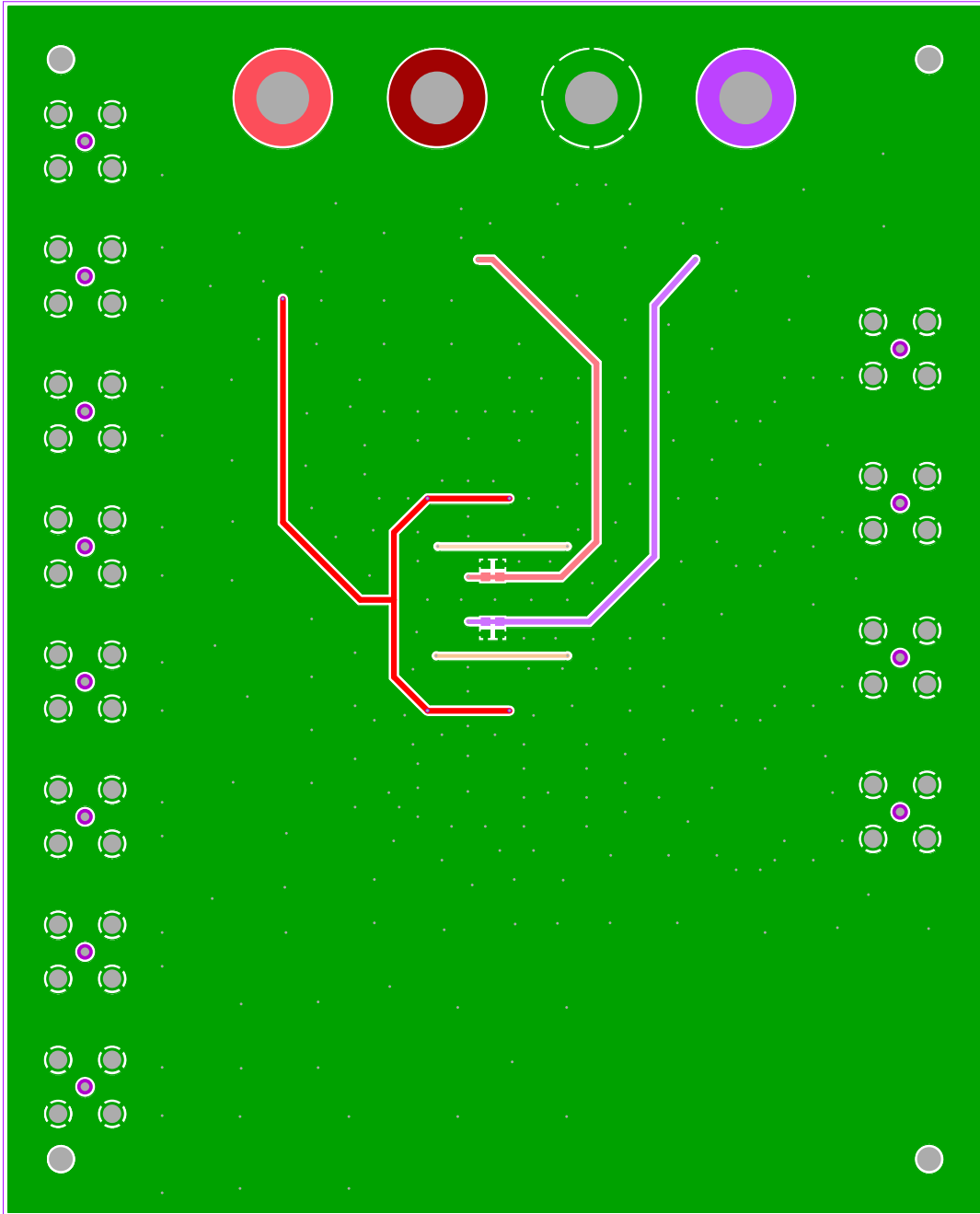
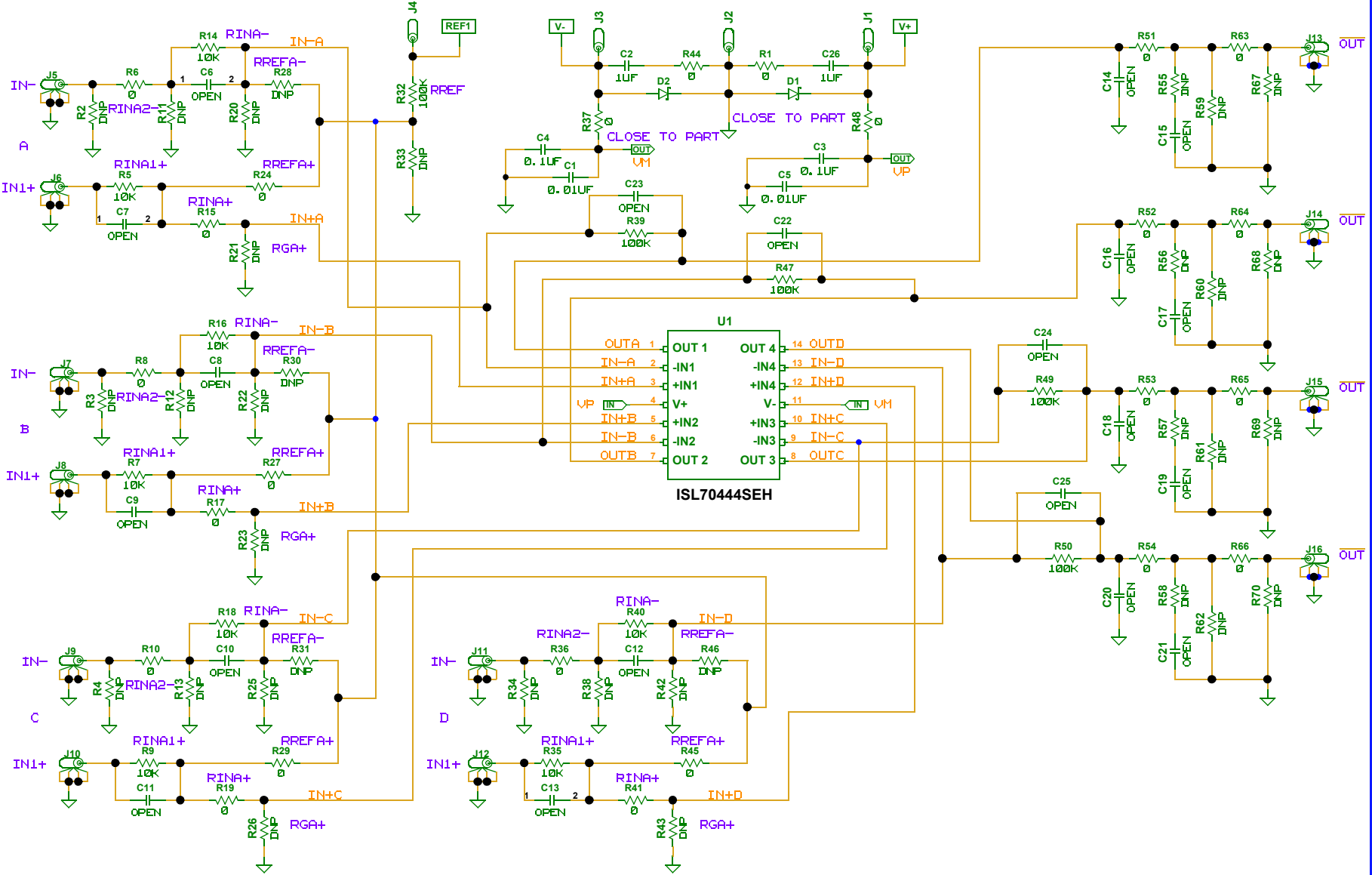


FIGURE 14. BOTTOM LAYER

# ISL70444SEHEVAL1Z Schematic Diagram





## Notice

1. Descriptions of circuits, software and other related information in this document are provided only to illustrate the operation of semiconductor products and application examples. You are fully responsible for the incorporation or any other use of the circuits, software, and information in the design of your product or system. Renesas Electronics disclaims any and all liability for any losses and damages incurred by you or third parties arising from the use of these circuits, software, or information.
2. Renesas Electronics hereby expressly disclaims any warranties against and liability for infringement or any other claims involving patents, copyrights, or other intellectual property rights of third parties, by or arising from the use of Renesas Electronics products or technical information described in this document, including but not limited to, the product data, drawings, charts, programs, algorithms, and application examples.
3. No license, express, implied or otherwise, is granted hereby under any patents, copyrights or other intellectual property rights of Renesas Electronics or others.
4. You shall not alter, modify, copy, or reverse engineer any Renesas Electronics product, whether in whole or in part. Renesas Electronics disclaims any and all liability for any losses or damages incurred by you or third parties arising from such alteration, modification, copying or reverse engineering.
5. Renesas Electronics products are classified according to the following two quality grades: "Standard" and "High Quality". The intended applications for each Renesas Electronics product depends on the product's quality grade, as indicated below.  
"Standard": Computers; office equipment; communications equipment; test and measurement equipment; audio and visual equipment; home electronic appliances; machine tools; personal electronic equipment; industrial robots; etc.  
"High Quality": Transportation equipment (automobiles, trains, ships, etc.); traffic control (traffic lights); large-scale communication equipment; key financial terminal systems; safety control equipment; etc.  
Unless expressly designated as a high reliability product or a product for harsh environments in a Renesas Electronics data sheet or other Renesas Electronics document, Renesas Electronics products are not intended or authorized for use in products or systems that may pose a direct threat to human life or bodily injury (artificial life support devices or systems; surgical implantations; etc.), or may cause serious property damage (space system; undersea repeaters; nuclear power control systems; aircraft control systems; key plant systems; military equipment; etc.). Renesas Electronics disclaims any and all liability for any damages or losses incurred by you or any third parties arising from the use of any Renesas Electronics product that is inconsistent with any Renesas Electronics data sheet, user's manual or other Renesas Electronics document.
6. When using Renesas Electronics products, refer to the latest product information (data sheets, user's manuals, application notes, "General Notes for Handling and Using Semiconductor Devices" in the reliability handbook, etc.), and ensure that usage conditions are within the ranges specified by Renesas Electronics with respect to maximum ratings, operating power supply voltage range, heat dissipation characteristics, installation, etc. Renesas Electronics disclaims any and all liability for any malfunctions, failure or accident arising out of the use of Renesas Electronics products outside of such specified ranges.
7. Although Renesas Electronics endeavors to improve the quality and reliability of Renesas Electronics products, semiconductor products have specific characteristics, such as the occurrence of failure at a certain rate and malfunctions under certain use conditions. Unless designated as a high reliability product or a product for harsh environments in a Renesas Electronics data sheet or other Renesas Electronics document, Renesas Electronics products are not subject to radiation resistance design. You are responsible for implementing safety measures to guard against the possibility of bodily injury, injury or damage caused by fire, and/or danger to the public in the event of a failure or malfunction of Renesas Electronics products, such as safety design for hardware and software, including but not limited to redundancy, fire control and malfunction prevention, appropriate treatment for aging degradation or any other appropriate measures. Because the evaluation of microcomputer software alone is very difficult and impractical, you are responsible for evaluating the safety of the final products or systems manufactured by you.
8. Please contact a Renesas Electronics sales office for details as to environmental matters such as the environmental compatibility of each Renesas Electronics product. You are responsible for carefully and sufficiently investigating applicable laws and regulations that regulate the inclusion or use of controlled substances, including without limitation, the EU RoHS Directive, and using Renesas Electronics products in compliance with all these applicable laws and regulations. Renesas Electronics disclaims any and all liability for damages or losses occurring as a result of your noncompliance with applicable laws and regulations.
9. Renesas Electronics products and technologies shall not be used for or incorporated into any products or systems whose manufacture, use, or sale is prohibited under any applicable domestic or foreign laws or regulations. You shall comply with any applicable export control laws and regulations promulgated and administered by the governments of any countries asserting jurisdiction over the parties or transactions.
10. It is the responsibility of the buyer or distributor of Renesas Electronics products, or any other party who distributes, disposes of, or otherwise sells or transfers the product to a third party, to notify such third party in advance of the contents and conditions set forth in this document.
11. This document shall not be reprinted, reproduced or duplicated in any form, in whole or in part, without prior written consent of Renesas Electronics.
12. Please contact a Renesas Electronics sales office if you have any questions regarding the information contained in this document or Renesas Electronics products.  
(Note 1) "Renesas Electronics" as used in this document means Renesas Electronics Corporation and also includes its directly or indirectly controlled subsidiaries.  
(Note 2) "Renesas Electronics product(s)" means any product developed or manufactured by or for Renesas Electronics.

(Rev.4.0-1 November 2017)



### SALES OFFICES

Renesas Electronics Corporation

<http://www.renesas.com>

Refer to "<http://www.renesas.com/>" for the latest and detailed information.

**Renesas Electronics America Inc.**  
1001 Murphy Ranch Road, Milpitas, CA 95035, U.S.A.  
Tel: +1-408-432-8888, Fax: +1-408-434-5351

**Renesas Electronics Canada Limited**  
9251 Yonge Street, Suite 8309 Richmond Hill, Ontario Canada L4C 9T3  
Tel: +1-905-237-2004

**Renesas Electronics Europe Limited**  
Dukes Meadow, Millboard Road, Bourne End, Buckinghamshire, SL8 5FH, U.K.  
Tel: +44-1628-651-700, Fax: +44-1628-651-804

**Renesas Electronics Europe GmbH**  
Arcadiastrasse 10, 40472 Düsseldorf, Germany  
Tel: +49-211-6503-0, Fax: +49-211-6503-1327

**Renesas Electronics (China) Co., Ltd.**  
Room 1709 Quantum Plaza, No.27 ZhichunLu, Haidian District, Beijing, 100191 P. R. China  
Tel: +86-10-8235-1155, Fax: +86-10-8235-7679

**Renesas Electronics (Shanghai) Co., Ltd.**  
Unit 301, Tower A, Central Towers, 555 Langao Road, Putuo District, Shanghai, 200333 P. R. China  
Tel: +86-21-2226-0888, Fax: +86-21-2226-0999

**Renesas Electronics Hong Kong Limited**  
Unit 1601-1611, 16/F., Tower 2, Grand Century Place, 193 Prince Edward Road West, Mongkok, Kowloon, Hong Kong  
Tel: +852-2265-6688, Fax: +852-2886-9022

**Renesas Electronics Taiwan Co., Ltd.**  
13F, No. 363, Fu Shing North Road, Taipei 10543, Taiwan  
Tel: +886-2-8175-9600, Fax: +886-2-8175-9670

**Renesas Electronics Singapore Pte. Ltd.**  
80 Bendemeer Road, Unit #06-02 Hyflux Innovation Centre, Singapore 339949  
Tel: +65-6213-0200, Fax: +65-6213-0300

**Renesas Electronics Malaysia Sdn.Bhd.**  
Unit 1207, Block B, Menara Amcorp, Amcorp Trade Centre, No. 18, Jln Persiaran Barat, 46050 Petaling Jaya, Selangor Darul Ehsan, Malaysia  
Tel: +60-3-7955-9390, Fax: +60-3-7955-9510

**Renesas Electronics India Pvt. Ltd.**  
No.777C, 100 Feet Road, HAL 2nd Stage, Indiranagar, Bangalore 560 038, India  
Tel: +91-80-67208700, Fax: +91-80-67208777

**Renesas Electronics Korea Co., Ltd.**  
17F, KAMCO Yangjae Tower, 262, Gangnam-daero, Gangnam-gu, Seoul, 06265 Korea  
Tel: +82-2-558-3737, Fax: +82-2-558-5338