

ISL78219EV1Z

User's Manual: Evaluation Board

Automotive

ISL78219EV1Z

Evaluation Board

UG163
Rev.0.00
Mar 12, 2018

1. Overview

The [ISL78219](#) is a high frequency, high efficiency current mode control non-synchronous step-up voltage regulator operated at a constant PWM switching frequency. It has an internal 4.0A, 120mΩ low-side MOSFET and can deliver high output current and efficiency over 90%. The selectable 640kHz and 1.22MHz switching frequency provides faster transient response, and allows the use of a smaller inductor. An external compensation pin gives the user flexibility in setting frequency compensation, allowing the use of low ESR small ceramic output capacitors.

The ISL78219EV1Z is an evaluation board for evaluating the ISL78219 step-up voltage regulator. The board is set up to operate with an input voltage from 2.3V to 5.5V and provide an output voltage of 12.0V with a maximum output current of 1.2A.

The ISL78219EV1Z evaluation board provides a jumper that allows users to select either the 620kHz or 1.2MHz frequency and to enable or disable the regulator.

1.1 Key Features

- A complete evaluation platform for the ISL78219
- Jumper selectable switching frequency and enable
- Proven evaluation board layout
- Pb-Free (RoHS compliant)

1.2 Specifications

This board has been configured and optimized for the following operating conditions:

- Input voltage: 2.3V to 5.5V
- Output voltage: 12V

1.3 Ordering Information

Part Number	Description
ISL78219EV1Z	Evaluation board for ISL78219

1.4 Related Literature

For a full list of related documents, visit our website

- [ISL78219](#) product page

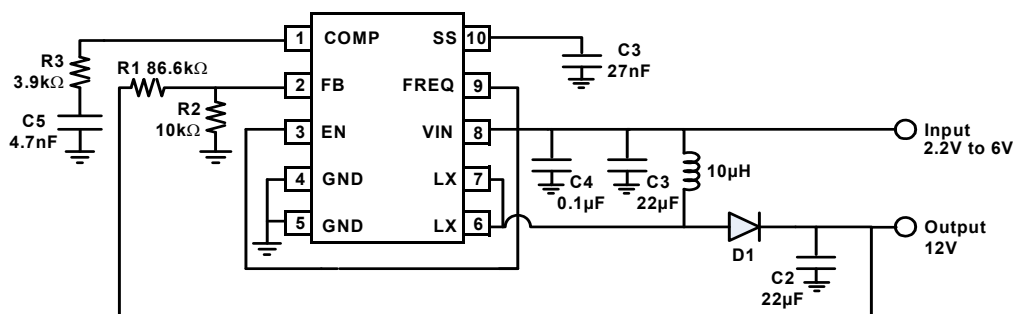


Figure 1. ISL78219EV1Z Block Diagram

2. Functional Description

2.1 Equipment Needed

The following instruments will be needed to perform testing:

- Variable voltage power supplies, with at least 4A current capable
- DC Electronic Load (E-Load)
- Digital multimeter
- Oscilloscope
- 20AWG and 18AWG wires

2.2 Operating Range

The output voltage has been set by the feedback resistor pair to be 12V. Changes can be made to that pair to reach other voltages. Refer to [Table 1](#) for examples. If higher output voltages are desired, the output capacitors on the evaluation board will need to be changed to have a higher voltage rating.

2.3 Quick Start Guide

- (1) Connect the power supply to J1 supply connector. Watch out for power and ground pins. Set power supply voltage between 2.3V and 5V, and current limit at 3.8A.
- (2) Connect the E-load to J2 output connector. The positive input of the E-load should be connected to the V_{OUT} header. Set E-load current. The load current should not exceed the maximum output current in [Table 1](#).
- (3) J3 Pins 1 and 3 (labeled FREQ) select which frequency the ISL78219 switches at. Shorting Pins 1 and 3 sets the frequency to 1.25MHz, while opening Pins 1 and 3 sets the frequency to 620kHz.
- (4) J3 Pins 2 and 4 (labeled EN) control the chip's enable signal. Shorting Pins 2 and 4 enables the device, while opening Pins 2 and 4 disables the device.
- (5) Make sure all the connections on the evaluation board are correct, then turn on the power supply and follow the E-load. The part should start to operate.

2.4 Maximum Output Current

The MOSFET current limit is typically 4.0A and assured to 3.8A. This restricts the maximum output current that the ISL78219 can drive. With the selected TDK inductor, [Table 1](#) shows I_{OUT} values for a 1.2MHz switching frequency with an output voltage of 12V at different input voltages.

Table 1. Typical Maximum I_{OUT} Values with R₂ = 100k and V_{OUT} = 12V

V _{IN} (V)	I _{IN} (mA)	R ₁ (kΩ)	I _{OMAX} (mA)
3.0	2900	866	500
4.0	3520	866	900
4.5	3520	866	1080
5.0	3540	866	1240

Different output voltages can be achieved by changing the R₂ resistor value. [Equation 1](#) shows how to calculate the new R₂ value.

$$(EQ. 1) \quad V_{OUT} = V_{FB} \times \left(1 + \frac{R_1}{R_2} \right)$$

Table 2. Typical R_2 Values with $R_2 = 100k$ for some V_{OUT}

V_{OUT} (V)	V_{FB} (V)	R_2 (k Ω)	R_1 (k Ω)
5	1.24	100	309
9	1.24	100	619
12	1.24	100	866

3. PCB Layout Guidelines

Figures 4 to 8 show the evaluation board PCB layout. The following key techniques to consider when laying out the board are:

- Keep the FB resistor divider network away from the noisy high current path of the inductor
- Connect a high frequency decoupling capacitor to V_{IN}
- Keep the SS capacitor and compensation network away from the noisy high current path of the inductor

3.1 ISL78219EV1Z Evaluation Board

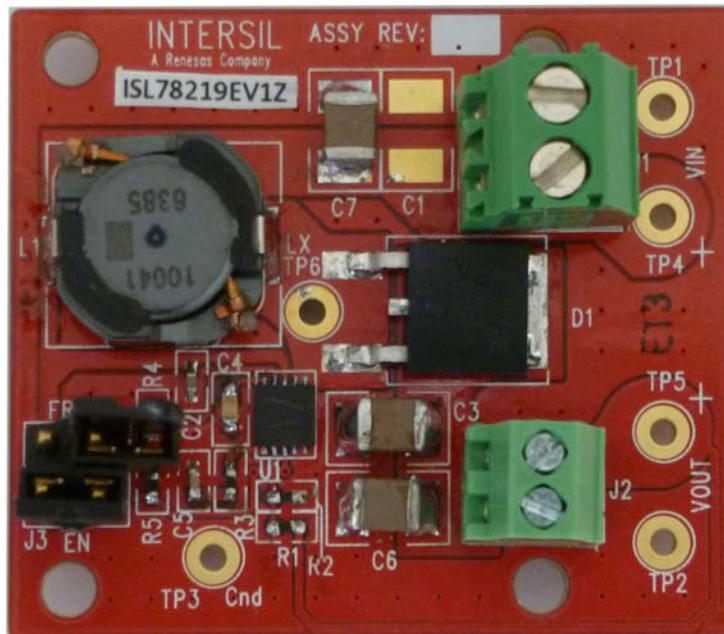


Figure 2. ISL78219EV1Z Evaluation Board (Top)

3.2 ISL78219EV1Z Circuit Schematic

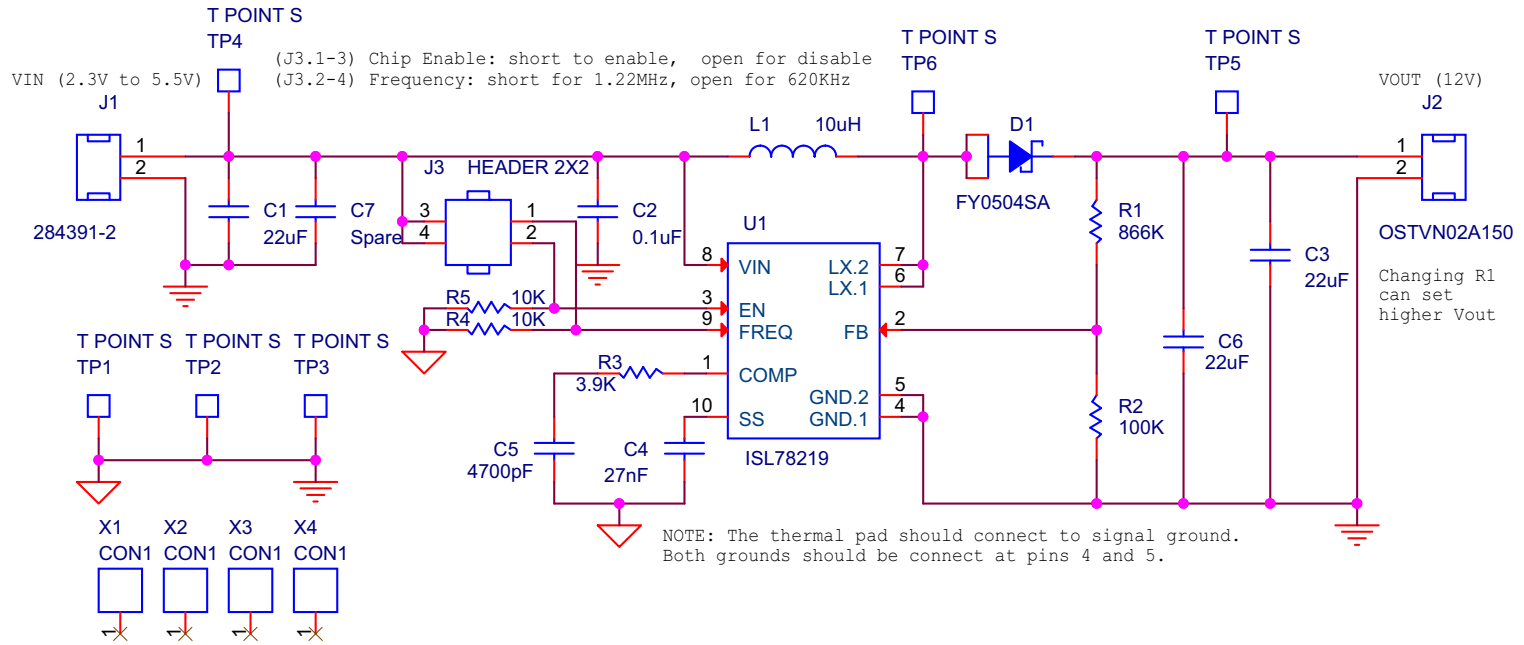


Figure 3. Schematic

3.3 Bill of Materials

Table 3. ISL78219EV1Z Bill of Materials (BOM)

Qty	Reference Designator	Part Description	PCB Footprint	Manufacturer	Manufacturer Part Number
1	C4	CAP CER 0.027 μ F 50V X7R	0603	AVX Corp.	06035C273K4T2A
1	C5	CAP CER 4700PF 50V X7R	0402	TDK	CGA2B2X7R1H472K050BA
1	C2	CAP CER 0.1 μ F 16V X7R	0402	TDK	CGA2B1X7R1C104K050BC
1	R1	866k Ω \pm 1% 0.1W, 1/10W Chip Resistor Automotive AEC-Q200 Thick Film	0402	Panasonic Electronics	ERJ-2RKF8863X
	R3	100k Ω \pm 1% 0.1W, 1/10W Chip Resistor Automotive AEC-Q200 Thick Film	0402	Panasonic Electronics	ERJ-2RKF1003X
2	R4, R5	10k Ω \pm 1% 0.1W, 1/10W Chip Resistor Automotive AEC-Q200 Thick Film	0402	Panasonic Electronics	ERJ-2RKF1002X
1	R3	3.9k Ω \pm 1% 0.1W, 1/10W Chip Resistor Automotive AEC-Q200 Thick Film	0402	Panasonic Electronics	ERJ-2RKF3901X
3	C1, C3, C6	CAP CER 22 μ F 16V X5R 1206	1210	Murata Electronics	GRM31CR61C226KE15L
1	L1	10 μ H Shielded Wire wound Inductor 5.8A 20.4m Ω	CLF10060	TDK	CLF10060NID-100M-D
1	U1	Boost Converter IC	TDFN-10	Renesas	ISL78219
0	C7	CAP (Not populated)	1210		
1	J2	2 Positions Wire to Board Terminal Block Horizontal with Board	0.100" (2.54mm) Through Hole	On Shore Technology	OSTVN02A150
1	D1	DIODE SCHOTTKY 40V, 5A	DPAK	Fairchild	FYD0504SATM
1	J3	Header 2x2 100mil pitch	Header 2x2		
2		Shunt Block			
1	J1	2 Position Wire to Board Terminal Block Horizontal	0.138" (3.5mm) Through-Hole	TE Connectivity AMP Connectors	284391-2

3.4 Board Layout

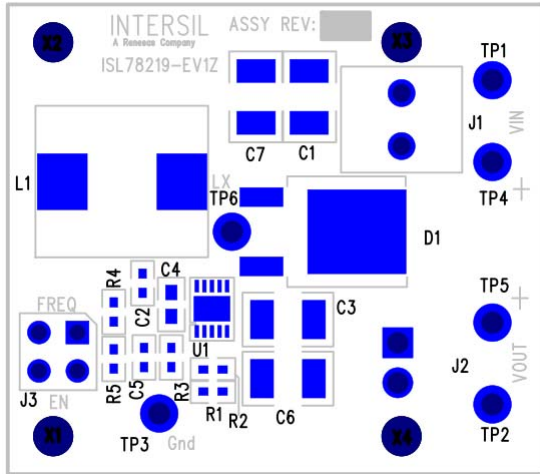


Figure 4. Top Layer Silk Screen

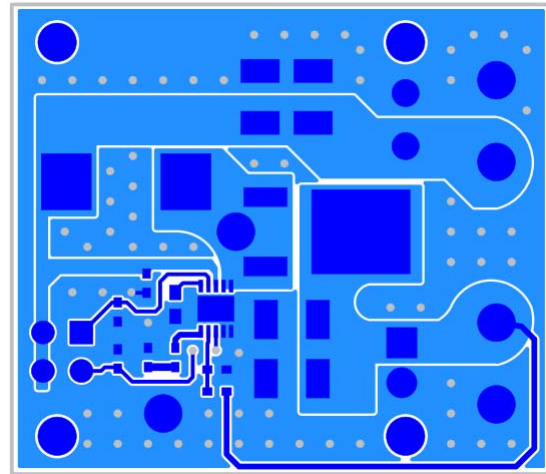


Figure 5. Top Layer

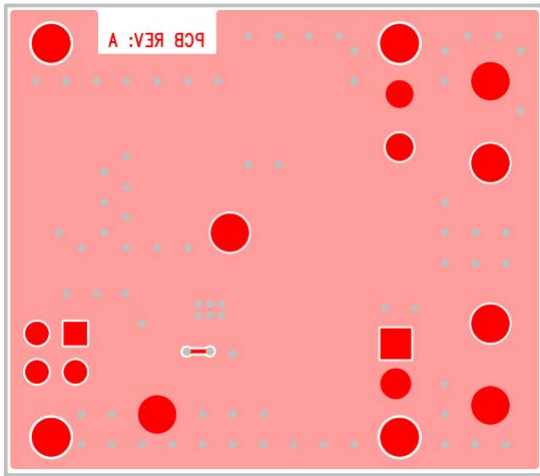


Figure 6. Bottom Layer

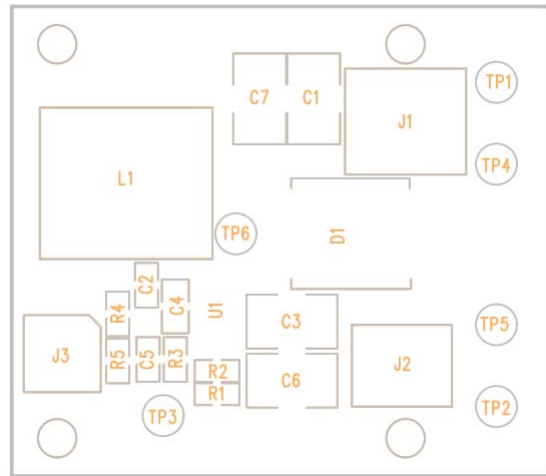


Figure 7. Bottom Layer Silkscreen

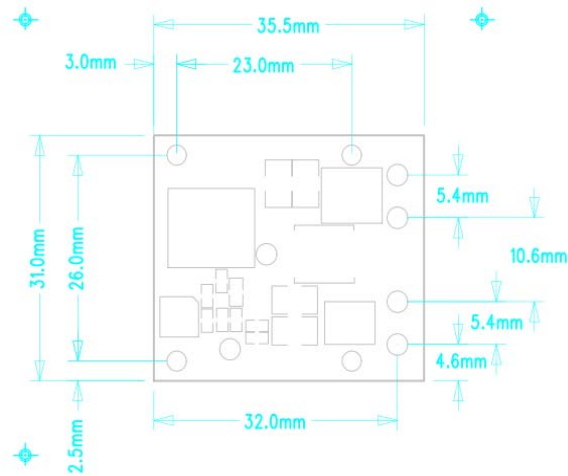


Figure 8. Eval Board Mechanical Dimension

4. Typical Performance Curve

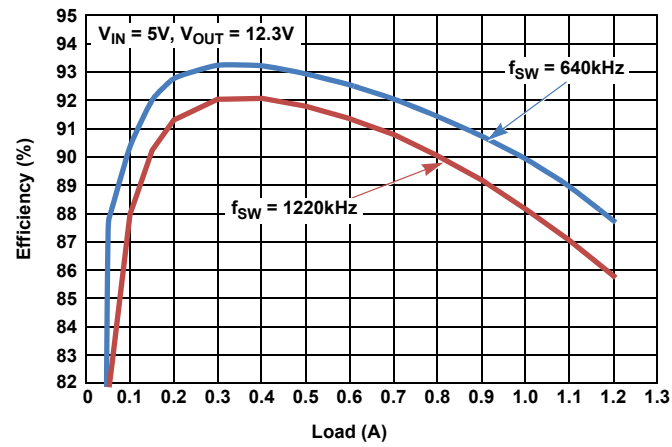


Figure 9. $V_{OUT} = 12.3\text{V}$ Efficiency

5. Revision History

Rev.	Date	Description
0.00	Mar 12, 2018	Initial release

Notice

1. Descriptions of circuits, software and other related information in this document are provided only to illustrate the operation of semiconductor products and application examples. You are fully responsible for the incorporation or any other use of the circuits, software, and information in the design of your product or system. Renesas Electronics disclaims any and all liability for any losses and damages incurred by you or third parties arising from the use of these circuits, software, or information.
2. Renesas Electronics hereby expressly disclaims any warranties against and liability for infringement or any other claims involving patents, copyrights, or other intellectual property rights of third parties, by or arising from the use of Renesas Electronics products or technical information described in this document, including but not limited to, the product data, drawings, charts, programs, algorithms, and application examples.
3. No license, express, implied or otherwise, is granted hereby under any patents, copyrights or other intellectual property rights of Renesas Electronics or others.
4. You shall not alter, modify, copy, or reverse engineer any Renesas Electronics product, whether in whole or in part. Renesas Electronics disclaims any and all liability for any losses or damages incurred by you or third parties arising from such alteration, modification, copying or reverse engineering.
5. Renesas Electronics products are classified according to the following two quality grades: "Standard" and "High Quality". The intended applications for each Renesas Electronics product depends on the product's quality grade, as indicated below.
"Standard": Computers; office equipment; communications equipment; test and measurement equipment; audio and visual equipment; home electronic appliances; machine tools; personal electronic equipment; industrial robots; etc.
"High Quality": Transportation equipment (automobiles, trains, ships, etc.); traffic control (traffic lights); large-scale communication equipment; key financial terminal systems; safety control equipment; etc.
Unless expressly designated as a high reliability product or a product for harsh environments in a Renesas Electronics data sheet or other Renesas Electronics document, Renesas Electronics products are not intended or authorized for use in products or systems that may pose a direct threat to human life or bodily injury (artificial life support devices or systems; surgical implantations; etc.), or may cause serious property damage (space system; undersea repeaters; nuclear power control systems; aircraft control systems; key plant systems; military equipment; etc.). Renesas Electronics disclaims any and all liability for any damages or losses incurred by you or any third parties arising from the use of any Renesas Electronics product that is inconsistent with any Renesas Electronics data sheet, user's manual or other Renesas Electronics document.
6. When using Renesas Electronics products, refer to the latest product information (data sheets, user's manuals, application notes, "General Notes for Handling and Using Semiconductor Devices" in the reliability handbook, etc.), and ensure that usage conditions are within the ranges specified by Renesas Electronics with respect to maximum ratings, operating power supply voltage range, heat dissipation characteristics, installation, etc. Renesas Electronics disclaims any and all liability for any malfunctions, failure or accident arising out of the use of Renesas Electronics products outside of such specified ranges.
7. Although Renesas Electronics endeavors to improve the quality and reliability of Renesas Electronics products, semiconductor products have specific characteristics, such as the occurrence of failure at a certain rate and malfunctions under certain use conditions. Unless designated as a high reliability product or a product for harsh environments in a Renesas Electronics data sheet or other Renesas Electronics document, Renesas Electronics products are not subject to radiation resistance design. You are responsible for implementing safety measures to guard against the possibility of bodily injury, injury or damage caused by fire, and/or danger to the public in the event of a failure or malfunction of Renesas Electronics products, such as safety design for hardware and software, including but not limited to redundancy, fire control and malfunction prevention, appropriate treatment for aging degradation or any other appropriate measures. Because the evaluation of microcomputer software alone is very difficult and impractical, you are responsible for evaluating the safety of the final products or systems manufactured by you.
8. Please contact a Renesas Electronics sales office for details as to environmental matters such as the environmental compatibility of each Renesas Electronics product. You are responsible for carefully and sufficiently investigating applicable laws and regulations that regulate the inclusion or use of controlled substances, including without limitation, the EU RoHS Directive, and using Renesas Electronics products in compliance with all these applicable laws and regulations. Renesas Electronics disclaims any and all liability for damages or losses occurring as a result of your noncompliance with applicable laws and regulations.
9. Renesas Electronics products and technologies shall not be used for or incorporated into any products or systems whose manufacture, use, or sale is prohibited under any applicable domestic or foreign laws or regulations. You shall comply with any applicable export control laws and regulations promulgated and administered by the governments of any countries asserting jurisdiction over the parties or transactions.
10. It is the responsibility of the buyer or distributor of Renesas Electronics products, or any other party who distributes, disposes of, or otherwise sells or transfers the product to a third party, to notify such third party in advance of the contents and conditions set forth in this document.
11. This document shall not be reprinted, reproduced or duplicated in any form, in whole or in part, without prior written consent of Renesas Electronics.
12. Please contact a Renesas Electronics sales office if you have any questions regarding the information contained in this document or Renesas Electronics products.
(Note 1) "Renesas Electronics" as used in this document means Renesas Electronics Corporation and also includes its directly or indirectly controlled subsidiaries.
(Note 2) "Renesas Electronics product(s)" means any product developed or manufactured by or for Renesas Electronics.

(Rev.4.0-1 November 2017)



SALES OFFICES

Renesas Electronics Corporation

<http://www.renesas.com>

Refer to "<http://www.renesas.com/>" for the latest and detailed information.

Renesas Electronics America Inc.
1001 Murphy Ranch Road, Milpitas, CA 95035, U.S.A.
Tel: +1-408-432-8888, Fax: +1-408-434-5351

Renesas Electronics Canada Limited
9251 Yonge Street, Suite 8309 Richmond Hill, Ontario Canada L4C 9T3
Tel: +1-905-237-2004

Renesas Electronics Europe Limited
Dukes Meadow, Millboard Road, Bourne End, Buckinghamshire, SL8 5FH, U.K
Tel: +44-1628-651-700, Fax: +44-1628-651-804

Renesas Electronics Europe GmbH
Arcadiastrasse 10, 40472 Düsseldorf, Germany
Tel: +49-211-6503-0, Fax: +49-211-6503-1327

Renesas Electronics (China) Co., Ltd.
Room 1709 Quantum Plaza, No.27 ZhichunLu, Haidian District, Beijing, 100191 P. R. China
Tel: +86-10-8235-1155, Fax: +86-10-8235-7679

Renesas Electronics (Shanghai) Co., Ltd.
Unit 301, Tower A, Central Towers, 555 Langao Road, Putuo District, Shanghai, 200333 P. R. China
Tel: +86-21-2226-0888, Fax: +86-21-2226-0999

Renesas Electronics Hong Kong Limited
Unit 1601-1611, 16/F., Tower 2, Grand Century Place, 193 Prince Edward Road West, Mongkok, Kowloon, Hong Kong
Tel: +852-2265-6688, Fax: +852-2886-9022

Renesas Electronics Taiwan Co., Ltd.
13F, No. 363, Fu Shing North Road, Taipei 10543, Taiwan
Tel: +886-2-8175-9600, Fax: +886-2-8175-9670

Renesas Electronics Singapore Pte. Ltd.
80 Bendemeer Road, Unit #06-02 Hyflux Innovation Centre, Singapore 339949
Tel: +65-6213-0200, Fax: +65-6213-0300

Renesas Electronics Malaysia Sdn.Bhd.
Unit 1207, Block B, Menara Amcorp, Amcorp Trade Centre, No. 18, Jln Persiaran Barat, 46050 Petaling Jaya, Selangor Darul Ehsan, Malaysia
Tel: +60-3-7955-9390, Fax: +60-3-7955-9510

Renesas Electronics India Pvt. Ltd.
No.777C, 100 Feet Road, HAL 2nd Stage, Indiranagar, Bangalore 560 038, India
Tel: +91-80-67208700, Fax: +91-80-67208777

Renesas Electronics Korea Co., Ltd.
17F, KAMCO Yangjae Tower, 262, Gangnam-daero, Gangnam-gu, Seoul, 06265 Korea
Tel: +82-2-558-3737, Fax: +82-2-558-5338

ISL78219EV1Z

RENESAS