

ISL8201MEVAL1Z, ISL8204MEVAL1Z, ISL8206MEVAL1Z

Evaluation Boards

AN1386
Rev 1.00
December 23, 2009

Table of Contents

General Description.....	2
Installation	2
Typical Application Schematic.....	3
Efficiency and Output Ripple/Noise Measurement.....	4
Schematic	5
Bill of Materials	6
Printed Circuit Board Layer	7

List of Figures

Evaluation Board of POL Module.....	2
Quick Start.....	3
Quick Start Schematic.....	3
Wide Input Range Schematic.....	3
Efficiency Measurement Schematic	4
Equipment Setup for Efficiency Measurement	4
Output Ripple/Noise Measurement Method	4
Schematic	5
Top-Over Layer (Component Location).....	7
Top Layer (Component Side)	7
Middle-1 Layer.....	8
Middle-2 Layer.....	8
Bottom Layer (Component Side).....	9
Bottom-Over Layer (Component Location)	9

List of Tables

Test Equipment List.....	2
Recommended Operating Specifications	2
Typical Output Voltage Setting for each Resistance	2
Bill of Materials	6

General Description

This app note covers the ISL8201MEVAL1Z, ISL8204MEVAL1Z, ISL8206MEVAL1Z evaluation boards. Since the modules are a pin for pin drop in with all necessary unique circuitry integrated in the module, the only difference in the BOM is the ISL8201M, ISL8206M, or ISL8204M POL modules. We will refer to a generic eval board, ISL820xMEVAL1Z to cover all three power modules.

The ISL820xMEVAL1Z POL module evaluation board is shown in Figure 1. The user can use it to evaluate the performance of the Intersil ISL8201M, ISL8206M, or ISL8204M POL modules. This board consists of power and load connectors for source and load side, switches for PVCC bias selection and On/Off option, and other passive components.

The input voltage range is from 1V to 20V, and the output voltage range is from 0.6V to 5V 5V for the ISL8201M or 0.6V to 6V for the ISL8204M and ISL8206M. Additional PVCC bias source is not required when using an input voltage of 5V or 12V. It can connect to the input side directly. However, in wider input ranges, which are above 14V or below 5V, the PVCC bias needs to add an external source, which provides operation bias of the module. The output voltage is initially set at 1.5V for typical evaluation. The user can easily set the output voltage by changing the value of R₁ (refer to Figure 8).

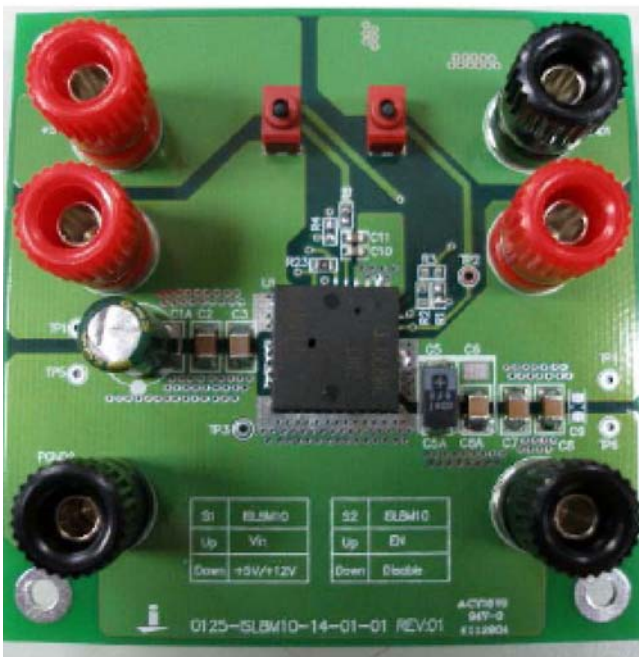


FIGURE 1. EVALUATION BOARD OF POL MODULE

Installation

TABLE 1. TEST EQUIPMENT LIST

EQUIPMENT	PART NUMBER
An adjustable DC Power Supply 30V, 15A, with current limit	GW GPC-3060D
An electronic load, capable of sinking 20A	Chroma 63030/63010
Four channel oscilloscope and probes	Tektronix TDS3014 Tektronix P3010
High Precision Digital Voltage Meter	ESCORT 3136A
High Precision Digital Current Meter	ESCORT 3136A

Recommended Operating Specification

The recommended operating specification for input/output and PVCC bias range is shown as Table 2.

TABLE 2. RECOMMENDED OPERATING SPECIFICATIONS

PARAMETER	TEST CONDITIONS	MIN	TYP	MAX	UNIT
Input Voltage Range (V _{IN})		1	-	20	V
Supply Voltage Range (PVCC)	Fixed +5V Supply	4.5	5.0	5.5	V
	Fixed +12V Supply	9.6	12.0	14.4	V
	Wide Range Supply	6.5	-	14.4	V
Output Voltage Range (V _{OUT})	ISL8201M	0.6	-	5	V
	ISL8204M and ISL8206M	0.6	-	6	V
Current Setting for V _{OUT}	R1 = 6.49kΩ	-	1.5	-	V
Output Current (Load Current)	ISL8201M	-	-	10	A
	ISL8206M	-	-	6	A
	ISL8204M	-	-	4	A
Current Limit (PVCC = 12V)	ISL8201M R _{SEN-IN} = 3.57kΩ	-	17	-	A
	ISL8206M R _{SEN-IN} = 4.12kΩ	-	8.8	-	A
	ISL8204M R _{SEN-IN} = 2.87kΩ	-	6.6	-	A

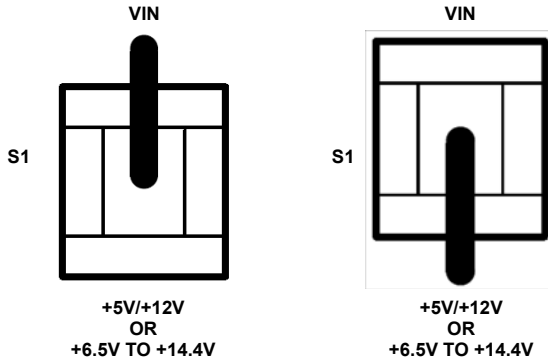
Table 3 lists the typical application's various output voltages and its corresponding resistance.

TABLE 3. TYPICAL OUTPUT VOLTAGE SETTING FOR EACH RESISTANCE

V _{OUT}	0.6V	1.05V	1.2V	1.5V	1.8V	2.5V	3.3V	5V
R ₁	Open	13k	9.76k	6.49k	4.87k	3.09k	2.16k	1.33k

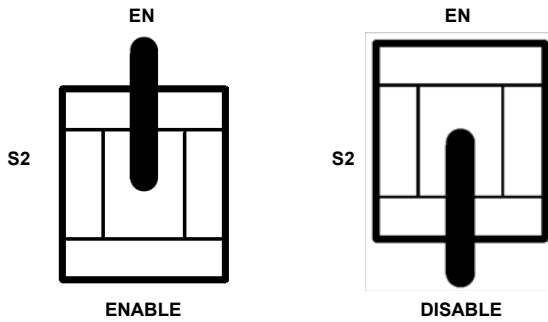
Selecting Switches

Switch S1 selects PVCC bias supply from V_{IN} or an additional supply source. When S1 is pushed up, the PVCC bias connects to the input power side. When S1 is pushed down, the PVCC bias connects to the additional power supply. For typical applications, the PVCC bias voltage is +5V ($\pm 10\%$) or +12V ($\pm 20\%$). It can also supply a wider range from +6.5V to +14.4V.



SWITCH	UP	DOWN
S1	V_{IN}	+5V/+12V or +6.5V to +14.4V

Switch S2 selects module Enable (On) or Disable (Off). When S2 is pushed up, the COMP/EN pin of the module is enabled and the module starts initialization and operation. When S2 is pushed down, the COMP/EN pin of the module connects to ground and the module will be shut down.



SWITCH	UP	DOWN
S2	EN	Disable

Quick Start

The evaluation board can be evaluated simply, as shown in Figure 2. The power connection of the evaluation board supplies the input voltage from the DC Power Supply, and the load connection of the evaluation board delivers power to the Electronic Load. If the input voltage is +5V or +12V, the PVCC bias does not require additional supply and it can connect to the input side directly by pushing switch S1 to the up state.

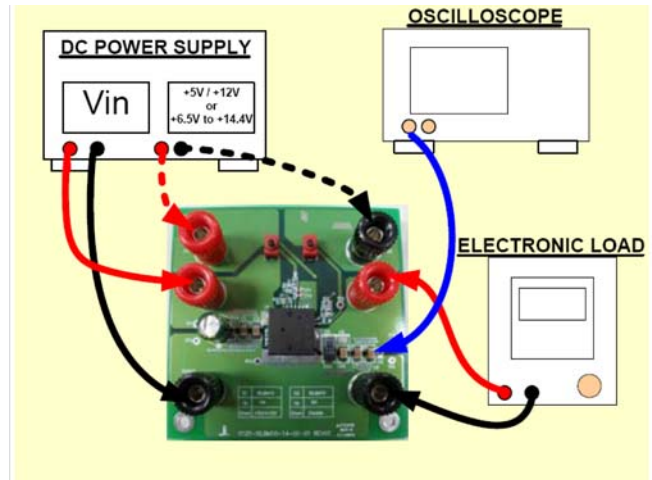


FIGURE 2. QUICK START FOR EVALUATION BOARD

Figure 3 shows the ISL820xMEVAL1Z application schematic for +5V or +12V input voltage. The PVCC pin can connect to the input supply directly.

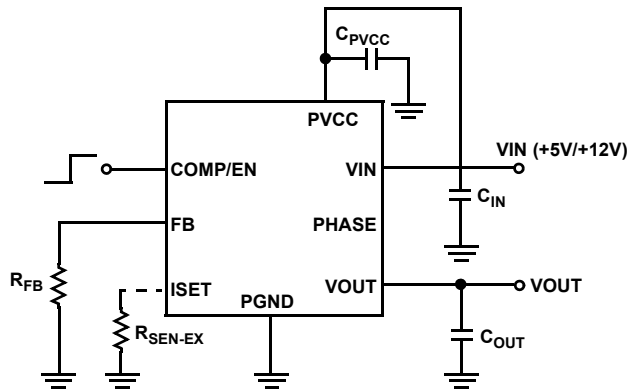


FIGURE 3. QUICK START SCHEMATIC

Typical Application Schematic

Typical Application with Separated Power Supply

Figure 4 shows the ISL820xMEVAL1Z application schematic for a wide input voltage from +1V to +20V. The PVCC supply can source +5V/+12V or +6.5V to +14.4V.

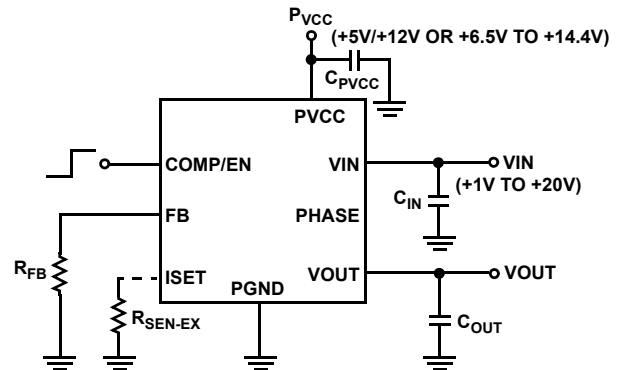


FIGURE 4. WIDE INPUT RANGE SCHEMATIC

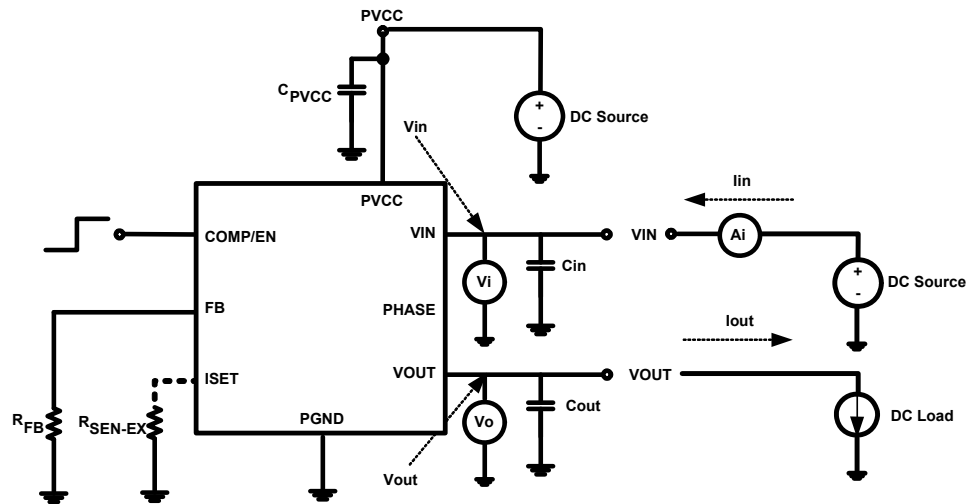


FIGURE 5. EFFICIENCY MEASUREMENT SCHEMATIC

Efficiency and Output Ripple/Noise Measurement

Figure 5 shows the efficiency measurement schematic for the ISL820xMEVAL1Z POL module. The voltage and current meter can be used to measure input/output voltage and current. In order to obtain an accurate measurement and prevent the voltage drop of PCB or wire trace, the voltage meter must be close to the input/output pin of the POL module.

The efficiency equation is shown in Equation 1:

$$\text{Efficiency} = \frac{\text{Output Power}}{\text{Input Power}} = \frac{P_{\text{OUT}}}{P_{\text{IN}}} = \frac{(V_{\text{OUT}} \cdot I_{\text{OUT}})}{(V_{\text{IN}} \cdot I_{\text{IN}})} \quad (\text{EQ. 1})$$

The equipment setup for the efficiency measurement on the evaluation board is shown in Figure 6. The measuring point for the input voltage meter is at the C₃ terminal, and the measuring point for the output voltage meter is at the C₈ terminal (refer to Figure 9).

Output Ripple/Noise Measurement Method

The total noise is equal to the sum of the ripple and noise components. Simple steps should be taken to assure that there is minimum pickup noise due to the high frequency events, which can be magnified by the large ground loop formed by the oscilloscope probe ground. This means that even a few inches of ground wire on the oscilloscope probe may result in hundreds of millivolts of noise spikes when improperly routed or terminated. This effect can be overcome by using the short loop measurement method to minimize the measurement loop area for reducing the pickup noise. The short loop measurement method is shown in Figure 7. For ISL820xMEVAL1Z evaluation board, the output ripple/noise measurement point is located at the C₈ terminal (refer to Figure 9).

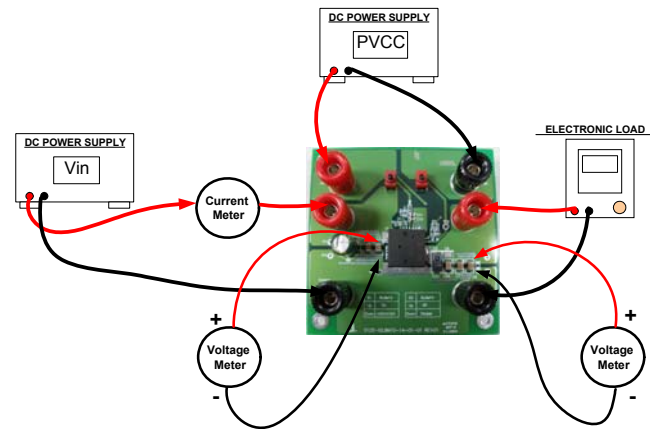


FIGURE 6. EQUIPMENT SETUP FOR EFFICIENCY MEASUREMENT

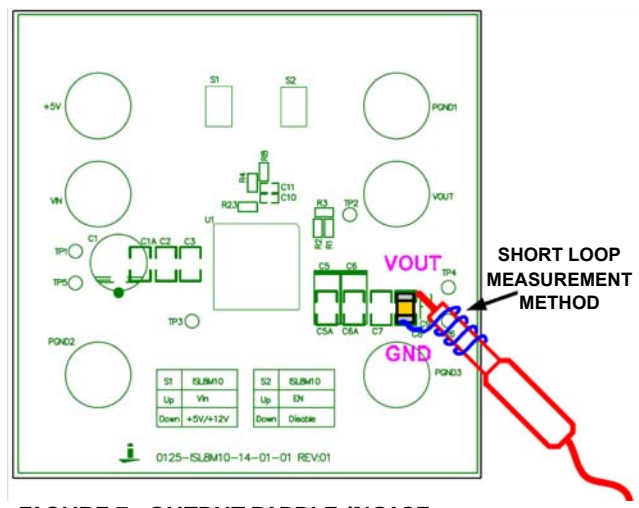


FIGURE 7. OUTPUT RIPPLE/NOISE MEASUREMENT METHOD

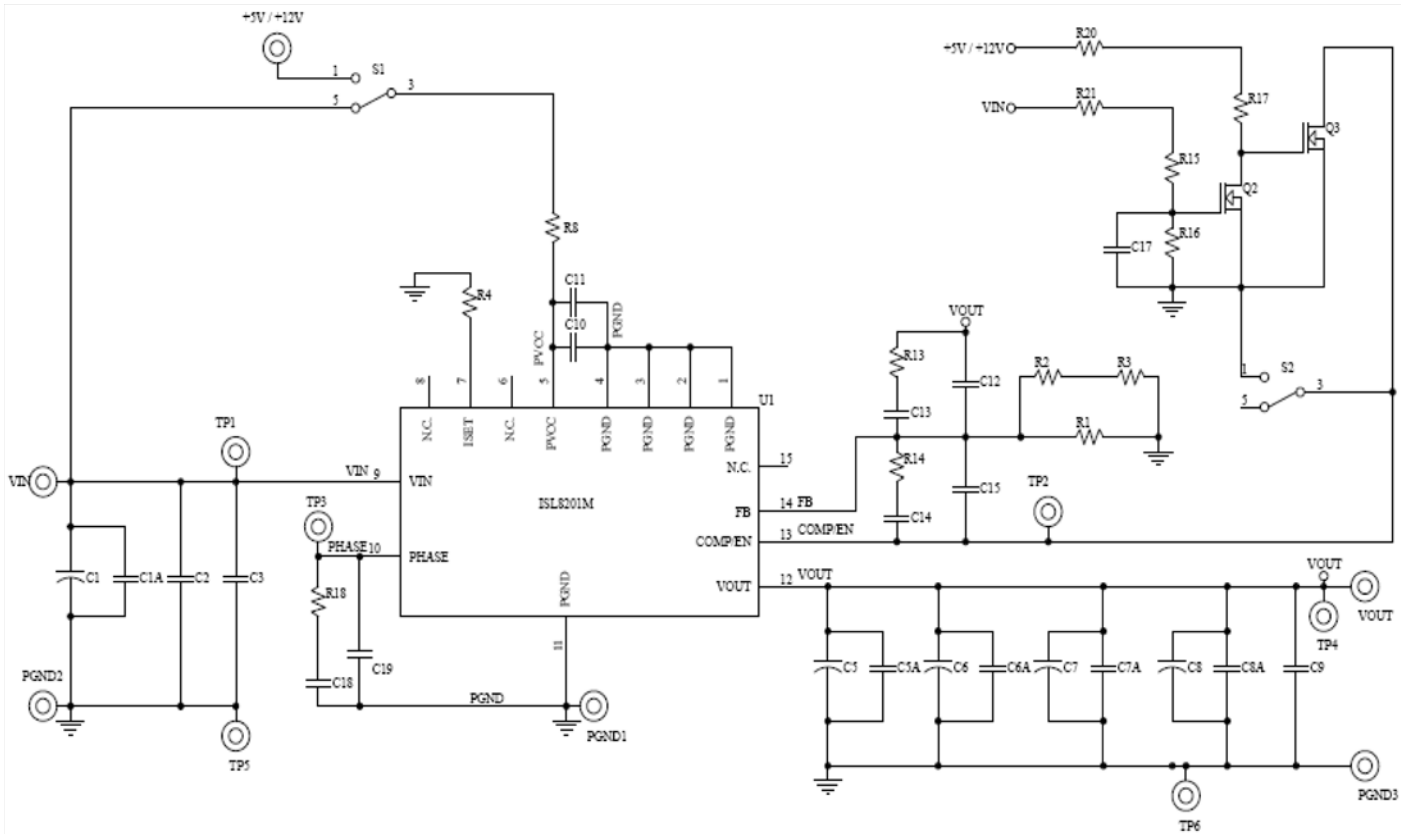


FIGURE 8. SCHEMATIC

NOTES:

1. R₁ is used to set the output voltage of ISL820xMEVAL1Z. Initial setting is 6.49kΩ for 1.5V output voltage.
2. R₂ and R₃, paralleling with R₁, are used to adjust the output voltage of ISL820xMEVAL1Z.
3. R₄ is used to set the overcurrent trip level of ISL820xMEVAL1Z. The ISL8201MEVAL1Z has integrated 3.57kΩ, ISL8206MEVAL1Z has integrated 4.12kΩ, and ISL8204MEVAL1Z has integrated 2.87kΩ
4. R₁₈, C₁₈ and C₁₉ are the snubber network, which can reduce the stress for internal semiconductor.
5. R₁₃, R₁₄, C₁₂, C₁₃, C₁₄ and C₁₅ are the external compensation network. The ISL820xMEVAL1Z has integrated the type 3 compensation network inside the module for typical applications.
6. R₁₅, R₁₆, R₁₇, R₂₀, R₂₁, C₁₇, Q₂ and Q₃ are the power-up sequence circuit. In case of PVCC bias, power-up first, then input voltage. This circuit has to be implemented.

TABLE 4. BILL OF MATERIALS

SYMBOL	COMPONENTS	DESCRIPTION	SUPPLIER
R1	Resistor	Chip Resistor 6.49k Ω	Generic
R2	Resistor	Not installed	-
R3	Resistor	Not installed	-
R4	Resistor	Not installed	-
R8	Resistor	Chip Resistor 10 Ω	Generic
R13	Resistor	Not installed	-
R14	Resistor	Not installed	-
R15	Resistor	Not installed	-
R16	Resistor	Not installed	-
R17	Resistor	Not installed	-
R18	Resistor	Not installed	-
R20	Resistor	Not installed	-
R21	Resistor	Not installed	-
C1	Capacitor	AL Capacitor 220 μ F/35V	SANYO
C1A	Capacitor	Not installed	-
C2	Capacitor	Ceramic Capacitor 10 μ F/25V	MURATA/TDK
C3	Capacitor	Ceramic Capacitor 10 μ F/25V	MURATA/TDK
C5	Capacitor	POS Capacitor 330 μ F/6.3V	SANYO
C5A	Capacitor	Not installed	-
C6	Capacitor	Not installed	-
C6A	Capacitor	Ceramic Capacitor 22 μ F/10V	MURATA/TDK
C7	Capacitor	Ceramic Capacitor 22 μ F/10V	MURATA/TDK
C7A	Capacitor	Not installed	MURATA/TDK
C8	Capacitor	Ceramic Capacitor 22 μ F/10V	MURATA/TDK
C8A	Capacitor	Not installed	-
C9	Capacitor	Not installed	-
C10	Capacitor	Ceramic Capacitor 1 μ F/25V	YAGEO
C11	Capacitor	Ceramic Capacitor 1 μ F/25V	YAGEO
C12	Capacitor	Not installed	-
C13	Capacitor	Not installed	-
C14	Capacitor	Not installed	-
C15	Capacitor	Not installed	-
C17	Capacitor	Not installed	-
C18	Capacitor	Not installed	-
C19	Capacitor	Not installed	-
S1	Switch	UT Switch	SH
S2	Switch	UT Switch	SH
Q2	MOSFET	Not installed	-
Q3	MOSFET	Not installed	-
U1	Module	ISL8201M, ISL8206M, or ISL8204M	Intersil

Printed Circuit Board Layers

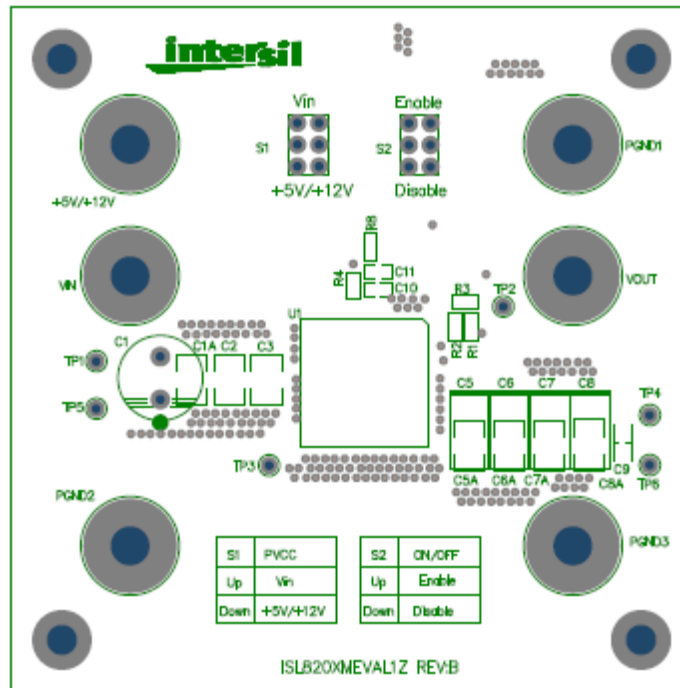


FIGURE 9. TOP-OVER LAYER (COMPONENT LOCATION)

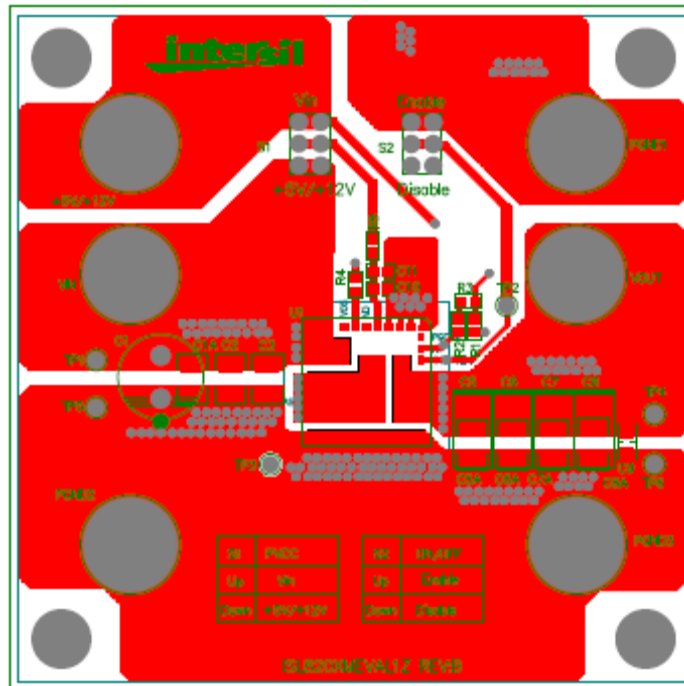


FIGURE 10. TOP LAYER (COMPONENT SIDE)

Printed Circuit Board Layers (Continued)

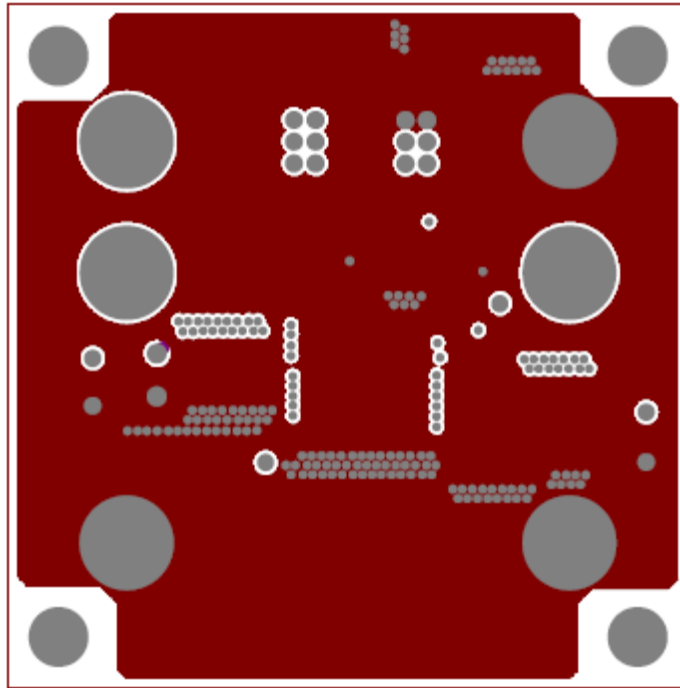


FIGURE 11. MIDDLE-1 LAYER

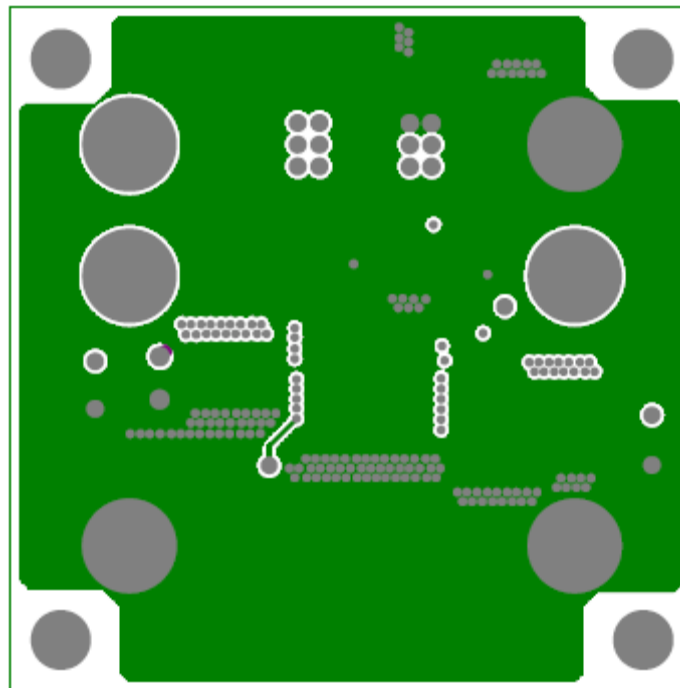


FIGURE 12. ISL820xMEVAL1Z, MIDDLE-2 LAYER

Printed Circuit Board Layers (Continued)

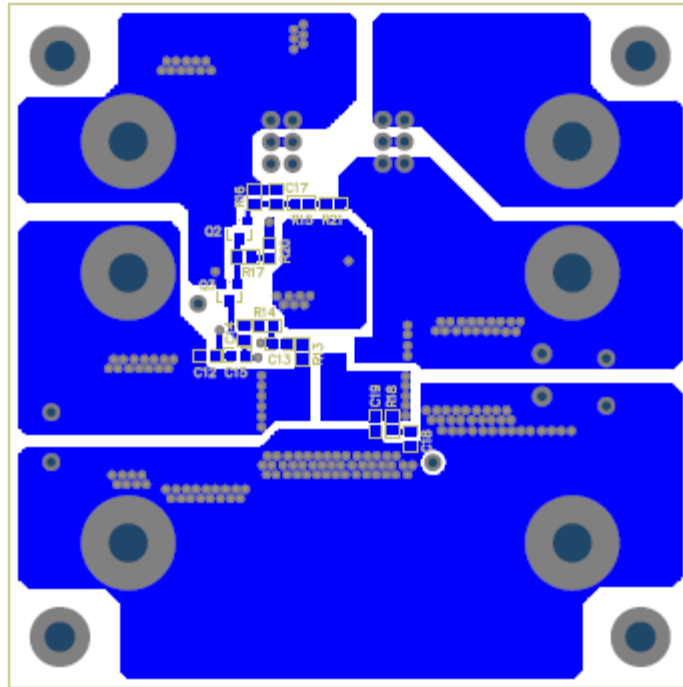


FIGURE 13. BOTTOM LAYER (COMPONENT SIDE MIRRORED)

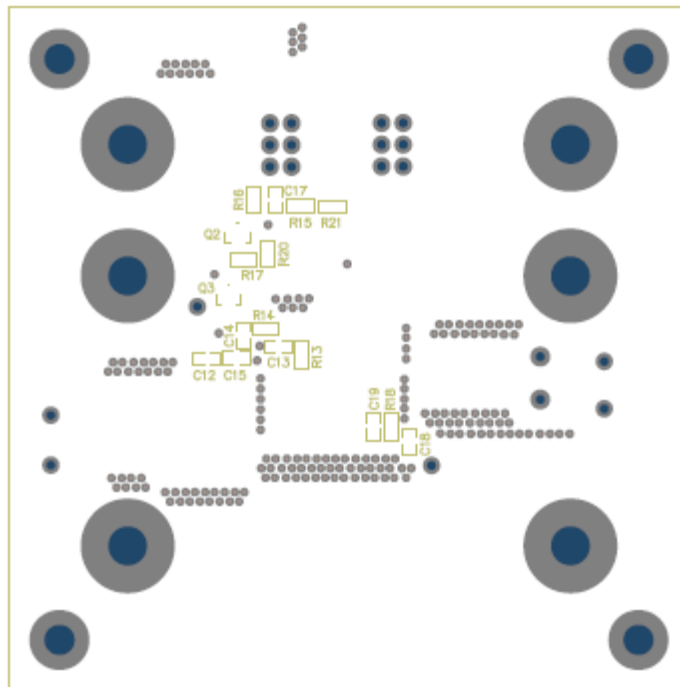


FIGURE 14. BOTTOM-OVER LAYER (COMPONENT LOCATION MIRRORED)

Notice

1. Descriptions of circuits, software and other related information in this document are provided only to illustrate the operation of semiconductor products and application examples. You are fully responsible for the incorporation or any other use of the circuits, software, and information in the design of your product or system. Renesas Electronics disclaims any and all liability for any losses and damages incurred by you or third parties arising from the use of these circuits, software, or information.
2. Renesas Electronics hereby expressly disclaims any warranties against and liability for infringement or any other claims involving patents, copyrights, or other intellectual property rights of third parties, by or arising from the use of Renesas Electronics products or technical information described in this document, including but not limited to, the product data, drawings, charts, programs, algorithms, and application examples.
3. No license, express, implied or otherwise, is granted hereby under any patents, copyrights or other intellectual property rights of Renesas Electronics or others.
4. You shall not alter, modify, copy, or reverse engineer any Renesas Electronics product, whether in whole or in part. Renesas Electronics disclaims any and all liability for any losses or damages incurred by you or third parties arising from such alteration, modification, copying or reverse engineering.
5. Renesas Electronics products are classified according to the following two quality grades: "Standard" and "High Quality". The intended applications for each Renesas Electronics product depends on the product's quality grade, as indicated below.
"Standard": Computers; office equipment; communications equipment; test and measurement equipment; audio and visual equipment; home electronic appliances; machine tools; personal electronic equipment; industrial robots; etc.
"High Quality": Transportation equipment (automobiles, trains, ships, etc.); traffic control (traffic lights); large-scale communication equipment; key financial terminal systems; safety control equipment; etc.
Unless expressly designated as a high reliability product or a product for harsh environments in a Renesas Electronics data sheet or other Renesas Electronics document, Renesas Electronics products are not intended or authorized for use in products or systems that may pose a direct threat to human life or bodily injury (artificial life support devices or systems; surgical implantations; etc.), or may cause serious property damage (space system; undersea repeaters; nuclear power control systems; aircraft control systems; key plant systems; military equipment; etc.). Renesas Electronics disclaims any and all liability for any damages or losses incurred by you or any third parties arising from the use of any Renesas Electronics product that is inconsistent with any Renesas Electronics data sheet, user's manual or other Renesas Electronics document.
6. When using Renesas Electronics products, refer to the latest product information (data sheets, user's manuals, application notes, "General Notes for Handling and Using Semiconductor Devices" in the reliability handbook, etc.), and ensure that usage conditions are within the ranges specified by Renesas Electronics with respect to maximum ratings, operating power supply voltage range, heat dissipation characteristics, installation, etc. Renesas Electronics disclaims any and all liability for any malfunctions, failure or accident arising out of the use of Renesas Electronics products outside of such specified ranges.
7. Although Renesas Electronics endeavors to improve the quality and reliability of Renesas Electronics products, semiconductor products have specific characteristics, such as the occurrence of failure at a certain rate and malfunctions under certain use conditions. Unless designated as a high reliability product or a product for harsh environments in a Renesas Electronics data sheet or other Renesas Electronics document, Renesas Electronics products are not subject to radiation resistance design. You are responsible for implementing safety measures to guard against the possibility of bodily injury, injury or damage caused by fire, and/or danger to the public in the event of a failure or malfunction of Renesas Electronics products, such as safety design for hardware and software, including but not limited to redundancy, fire control and malfunction prevention, appropriate treatment for aging degradation or any other appropriate measures. Because the evaluation of microcomputer software alone is very difficult and impractical, you are responsible for evaluating the safety of the final products or systems manufactured by you.
8. Please contact a Renesas Electronics sales office for details as to environmental matters such as the environmental compatibility of each Renesas Electronics product. You are responsible for carefully and sufficiently investigating applicable laws and regulations that regulate the inclusion or use of controlled substances, including without limitation, the EU RoHS Directive, and using Renesas Electronics products in compliance with all these applicable laws and regulations. Renesas Electronics disclaims any and all liability for damages or losses occurring as a result of your noncompliance with applicable laws and regulations.
9. Renesas Electronics products and technologies shall not be used for or incorporated into any products or systems whose manufacture, use, or sale is prohibited under any applicable domestic or foreign laws or regulations. You shall comply with any applicable export control laws and regulations promulgated and administered by the governments of any countries asserting jurisdiction over the parties or transactions.
10. It is the responsibility of the buyer or distributor of Renesas Electronics products, or any other party who distributes, disposes of, or otherwise sells or transfers the product to a third party, to notify such third party in advance of the contents and conditions set forth in this document.
11. This document shall not be reprinted, reproduced or duplicated in any form, in whole or in part, without prior written consent of Renesas Electronics.
12. Please contact a Renesas Electronics sales office if you have any questions regarding the information contained in this document or Renesas Electronics products.
(Note 1) "Renesas Electronics" as used in this document means Renesas Electronics Corporation and also includes its directly or indirectly controlled subsidiaries.
(Note 2) "Renesas Electronics product(s)" means any product developed or manufactured by or for Renesas Electronics.

(Rev.4.0-1 November 2017)



SALES OFFICES

Renesas Electronics Corporation

<http://www.renesas.com>

Refer to "<http://www.renesas.com/>" for the latest and detailed information.

Renesas Electronics America Inc.
1001 Murphy Ranch Road, Milpitas, CA 95035, U.S.A.
Tel: +1-408-432-8888, Fax: +1-408-434-5351

Renesas Electronics Canada Limited
9251 Yonge Street, Suite 8309 Richmond Hill, Ontario Canada L4C 9T3
Tel: +1-905-237-2004

Renesas Electronics Europe Limited
Dukes Meadow, Millboard Road, Bourne End, Buckinghamshire, SL8 5FH, U.K
Tel: +44-1628-651-700, Fax: +44-1628-651-804

Renesas Electronics Europe GmbH
Arcadiastrasse 10, 40472 Düsseldorf, Germany
Tel: +49-211-6503-0, Fax: +49-211-6503-1327

Renesas Electronics (China) Co., Ltd.
Room 1709 Quantum Plaza, No.27 ZhichunLu, Haidian District, Beijing, 100191 P. R. China
Tel: +86-10-8235-1155, Fax: +86-10-8235-7679

Renesas Electronics (Shanghai) Co., Ltd.
Unit 301, Tower A, Central Towers, 555 Langao Road, Putuo District, Shanghai, 200333 P. R. China
Tel: +86-21-2226-0888, Fax: +86-21-2226-0999

Renesas Electronics Hong Kong Limited
Unit 1601-1611, 16/F., Tower 2, Grand Century Place, 193 Prince Edward Road West, Mongkok, Kowloon, Hong Kong
Tel: +852-2265-6688, Fax: +852-2886-9022

Renesas Electronics Taiwan Co., Ltd.
13F, No. 363, Fu Shing North Road, Taipei 10543, Taiwan
Tel: +886-2-8175-9600, Fax: +886-2-8175-9670

Renesas Electronics Singapore Pte. Ltd.
80 Bendemeer Road, Unit #06-02 Hyflux Innovation Centre, Singapore 339949
Tel: +65-6213-0200, Fax: +65-6213-0300

Renesas Electronics Malaysia Sdn.Bhd.
Unit 1207, Block B, Menara Amcorp, Amcorp Trade Centre, No. 18, Jln Persiaran Barat, 46050 Petaling Jaya, Selangor Darul Ehsan, Malaysia
Tel: +60-3-7955-9390, Fax: +60-3-7955-9510

Renesas Electronics India Pvt. Ltd.
No.777C, 100 Feet Road, HAL 2nd Stage, Indiranagar, Bangalore 560 038, India
Tel: +91-80-67208700, Fax: +91-80-67208777

Renesas Electronics Korea Co., Ltd.
17F, KAMCO Yangjae Tower, 262, Gangnam-daero, Gangnam-gu, Seoul, 06265 Korea
Tel: +82-2-558-3737, Fax: +82-2-558-5338