

## ISL8502EVAL1Z

Evaluation Board

AN1277  
Rev 1.00  
Feb 15, 2008

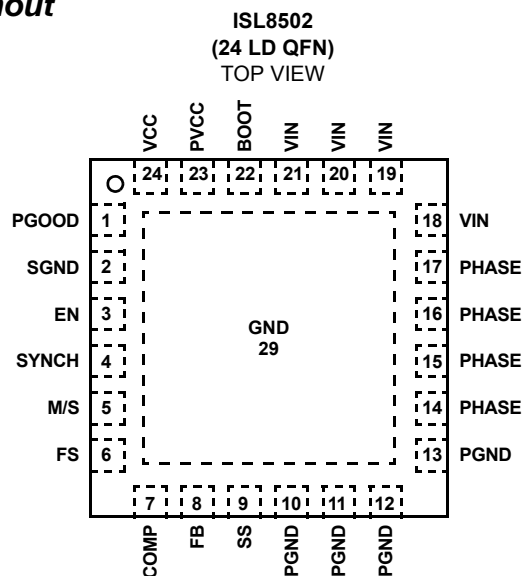
The ISL8502 is a synchronous buck controller with internal MOSFETs packaged in a small 4mmx4mm QFN package. The ISL8502 can support a continuous load of 2A and has a very wide input voltage range. With the switching MOSFETs integrated into the IC, the complete regulator footprint can be very small and provide a much more efficient solution than a linear regulator.

The ISL8502 is capable of standalone operation or it can be used in a master slave combination for multiple outputs that are derived from the same input rail. Multiple slave channels can be individually programmed such that the internal clocks are out-of-phase. This method minimizes the ripple on the input rail.

The switching PWM controller drives two internal N-Channel MOSFETs in a synchronous-rectified buck converter topology. The synchronous buck converter uses voltage-mode control with fast transient response. The switching regulator provides a maximum static regulation tolerance of  $\pm 1\%$  over line, load, and temperature ranges. The output is user-adjustable by means of external resistors down to 0.6V.

The output is monitored for undervoltage events. The switching regulator also has over current protection. Thermal shutdown is integrated. The ISL8502 features a bidirectional Enable pin that allows the part to shut itself down and pull the enable pin low at the same time.

### Pinout



### Features

- 2A Continuous Output Current
- Integrated MOSFETs for Small Regulator Footprint
- Adjustable Switching Frequency, 500kHz to 1.2MHz
- Tight Output Voltage Regulation,  $\pm 1\%$  Over-Temperature
- Wide Input Voltage Range, 5V  $\pm 10\%$  or 5.5V to 14V
- Wide Output Voltage Range, from 0.6V
- Simple Single-Loop Voltage-Mode PWM Control Design
- Input Voltage Feed-Forward for Constant Modulator Gain
- Fast PWM Converter Transient Response
- Lossless  $r_{DS(ON)}$  High Side and Low Side Overcurrent Protection
- Undervoltage Detection
- Integrated Thermal Shutdown Protection
- Power-Good Indication
- Adjustable Soft-Start
- QFN Package
  - Compliant to JEDEC PUB95 MO-220 QFN (Quad Flat No Leads) package outline
  - Near Chip Scale Package footprint, which improves PCB efficiency and has a thinner profile
- Pb-Free (RoHS Compliant)

### Applications

- Point of Load Applications
- Graphics Cards - GPU and Memory Supplies
- ASIC Power Supplies
- Embedded Processor and I/O Supplies
- DSP Supplies

### Ordering Information

PART NUMBER (Note)	PART MARKING	TEMP. RANGE (°C)	PACKAGE (Pb-free)	PKG. DWG. #
ISL8502IRZ*	85 02IRZ	-40 to +85	24 Ld 4x4 QFN	L24.4x4D

\*Add "-T" suffix for tape and reel. Please refer to TB347 for details on reel specifications.

NOTE: These Intersil Pb-free plastic packaged products employ special Pb-free material sets; molding compounds/die attach materials and 100% matte tin plate PLUS ANNEAL - e3 termination finish, which is RoHS compliant and compatible with both SnPb and Pb-free soldering operations. Intersil Pb-free products are MSL classified at Pb-free peak reflow temperatures that meet or exceed the Pb-free requirements of IPC/JEDEC J STD-020.

## What's Inside

The Evaluation Board Kit contains the following materials:

- The ISL8502 EVAL REVD board
- The ISL8502 datasheet
- This EVAL KIT document

## Recommended Equipment

The following materials are recommended to perform testing:

- 0V to 15V power supply with at least 5A source current capability, battery, notebook AC adapter
- Two Electronic Loads capable of sinking current up to 5A
- Digital Multimeters (DMMs)
- 100MHz quad-trace Oscilloscope
- Signal generator (only if the SYNC function needs to be evaluated)

## Quick Setup Guide

1. Ensure that the circuit is correctly connected to the supply and loads prior to applying any power.
2. Connect the bias supply to VIN. Plus terminal to J1(VIN) and negative return to J2(GND).
3. Verify that all positions are ON for S1, EN\_all, EN\_1, EN\_2.
4. Turn on the power supply.
5. Verify the outputs voltages are 2.5V for V<sub>OUT1</sub> and V<sub>OUT2</sub>.

## Evaluating Other Output Voltages

The ISL8502EVAL kit outputs are preset to 2.5V. For a quick evaluation of output voltages between 0.6V and V<sub>IN</sub> - 1.7V, the following resistors need to be changed in the feedback network as shown in Equations 1 and 2:

$$R_{111} = (R_{108}) / [(V_{OUT} / V_{FB1}) - 1] \quad (\text{EQ. 1})$$

where R<sub>108</sub> = 17.4kΩ; and V<sub>FB1</sub> = 0.6V

$$R_{211} = (R_{208}) / [(V_{OUT2} / V_{FB2}) - 1] \quad (\text{EQ. 2})$$

where R<sub>208</sub> = 17.4kΩ; and V<sub>FB2</sub> = 0.6V

However, for reliable operation over the entire load and temperature range, it is highly recommended to follow the output filter and loop compensation network design guidelines as listed in the ISL8502 datasheet.

<http://www.intersil.com/data/fn/fn6389.pdf>

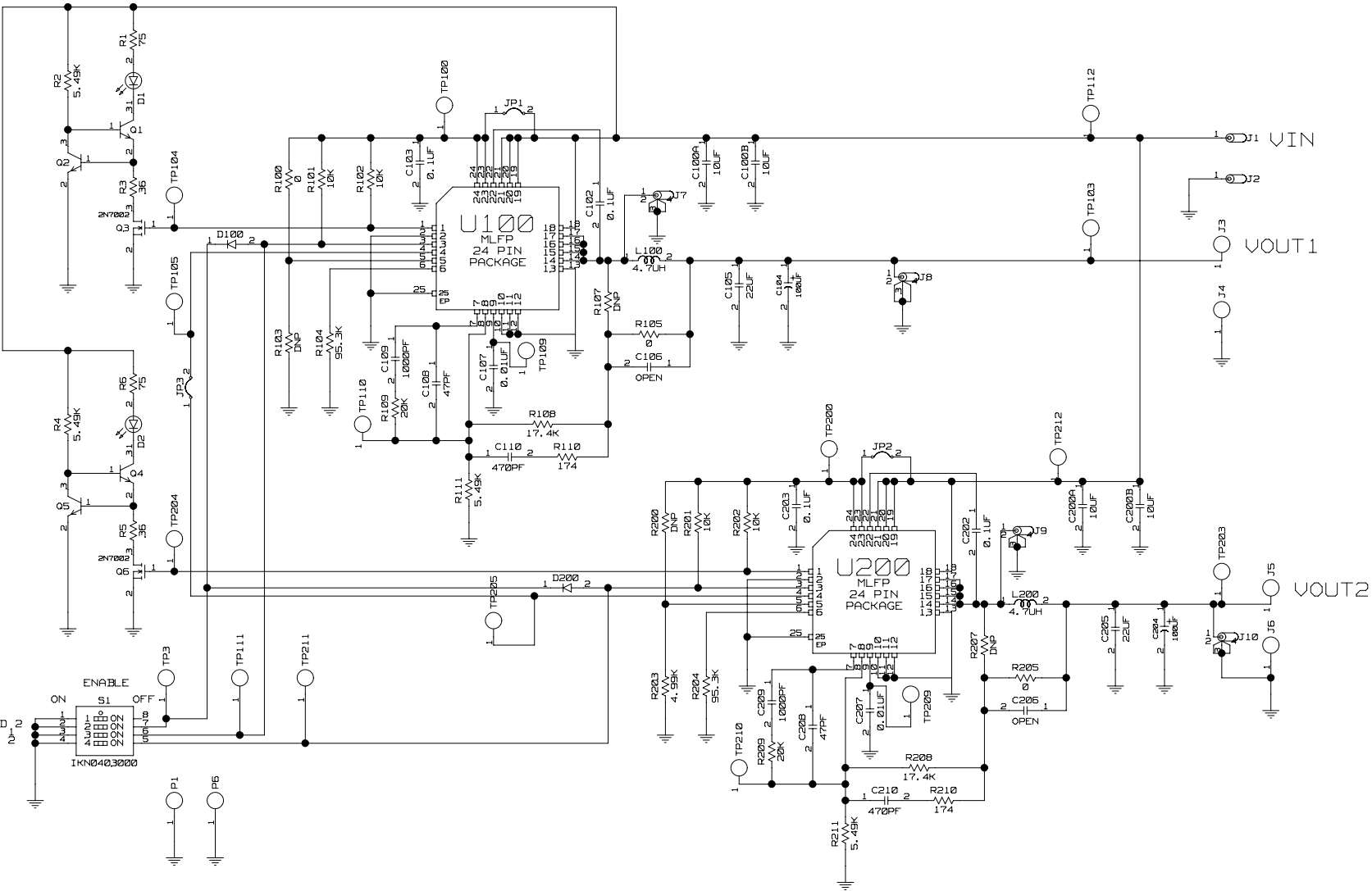
## Frequency

The ISL8502EVAL can operate at switching frequencies from 500kHz to 1.2MHz. R<sub>104</sub> and R<sub>204</sub> are used to program the switching frequency through Equation 3:

$$R_{104} \text{ and } (R_{204}) = 48000 / (f_{osc}[\text{kHz}]) \quad (\text{EQ. 3})$$

TABLE 1. SWITCH 1 SETTINGS

SW1	SKIP	OPERATING MODE
1	NC	No Connect
2	EN_ALL	Enable or disable V <sub>OUT1</sub> and V <sub>OUT2</sub>
3	EN1	Enable or disable V <sub>OUT1</sub>
4	EN2	Enable or disable V <sub>OUT2</sub>



GROUND CONNECTIONS FOR SCOPE PROBES

### ISL8502EVAL1Z Schematic

TABLE 2. COMPONENT LIST

REF DES	QTY	VALUE	TOL.	VOLTAGE	PACKAGE	PART NUMBER	MANUFACTURER	DESCRIPTION
C100A, C100B, C200A, C200B	4	10 $\mu$ F	20%	25V	SM1206	-	AVX, Samsung, TDK, Murata	Multilayer Capacitor
C102, C202	2	0.1 $\mu$ F	10%	16V	SM0402	-	AVX, Samsung, TDK, Murata	Multilayer Capacitor
C103, C203	2	1 $\mu$ F	20%	6.3V	SM0402	-	AVX, Samsung, TDK, Murata	Multilayer Capacitor
C104, C204	2	100 $\mu$ F	20%	35V	RADIAL	-	SANYO	Radial Elect. MV_AX Series Cap
C105, C205	2	22 $\mu$ F	20%	10V	SM0402	-	AVX, Samsung, TDK, Murata	Multilayer Capacitor
C106, C206	2	OPEN	-	-	SM0402	-	AVX, Samsung, TDK, Murata	Multilayer Capacitor
C107, C207	2	0.1 $\mu$ F	10%	16V	SM0402	-	AVX, Samsung, TDK, Murata	Multilayer Capacitor
C108, C208	2	47pF	5%	50V	SM0402	-	AVX, Samsung, TDK, Murata	Multilayer Capacitor
C109, C209	2	1000pF	10%	50V	SM0402	-	AVX, Samsung, TDK, Murata	Multilayer Capacitor
C110, C210	2	470pF	10%	50V	SM0402	-	AVX, Samsung, TDK, Murata	Multilayer Capacitor
D1, D2	2	-	-	-	-	LTST-C170CKT	LITEON	AlGaAs on GaAs Red LED
D100, D200	2	-	-	-	-	IN4148WS	DIODES	Fast Switching Diode
J1, J2	2	-	-	-	-	111-0701-001	JOHNSON-COMP	Binding Post White
J3-J6, P1, P6	6	-	-	-	-	PAD_150	GENERIC	0.150Pad with 0.110 Plated Thru Hole
JP1-JP3	3	-	-	-	-	JUMPER2_100	GENERIC	Two Pin Jumper
L100, L200	2	4.7 $\mu$ H	-	19m $\Omega$	6_3X8_3	CDRH8D28-4R7	SUMIDA	SMT Power Inductor
Q1, Q2, Q4, Q5	4	-	-	30V	SOT23	MMBT2222LT1	MOTOROLA	NPN Transistor
Q3, Q6	2	-	-	60V	SOT23	2N7002	FAIRCHILD	N-Channel EMF Effect Transistor
R1, R6	2	75	5%	100V	SM0402	-	Generic	Thick Film Chip Resistor
R100, R105, R205	3	0	1%	100V	SM0402	-	Generic	Thick Film Chip Resistor
R101, R102, R201, R202	4	10k	1%	100V	SM0402	-	Generic	Thick Film Chip Resistor
R103, R107, R200, R207	4	DNP	1%	100V	SM0402	-	Generic	Thick Film Chip Resistor
R104, R204	2	95.3k	1%	100V	SM0402	-	Generic	Thick Film Chip Resistor
R108, R208	2	17.4k	1%	100V	SM0402	-	Generic	Thick Film Chip Resistor
R109, R209	2	20k	1%	100V	SM0402	-	Generic	Thick Film Chip Resistor
R110, R210	2	174	1%	100V	SM0402	-	Generic	Thick Film Chip Resistor
R2, R4, R111, R211	4	5.49k	1%	100V	SM0402	-	Generic	Thick Film Chip Resistor
R203	1	4.99k	1%	100V	SM0402	-	Generic	Thick Film Chip Resistor

TABLE 2. COMPONENT LIST (Continued)

REF DES	QTY	VALUE	TOL.	VOLTAGE	PACKAGE	PART NUMBER	MANUFACTURER	DESCRIPTION
R3, R5	2	36	5%	100V	SM0402	-	Generic	Thick Film Chip Resistor
S1	1	-	-	-	-	IKN0403000	APEM	IK Series High Rel SPST SMT DIP Switch
TP3, TP100, TP103-TP105, TP109-TP112, TP200, TP203-TP205, TP209-TP212	17	-	-	-	-	PAD_75	Generic	0.075 Pad with 0.036 Plated Thru Hole
U100, U200	2	-	-	-	QFN	ISL8502	Intersil	Synchronous Buck Regulator

### ISL8502EVAL1Z Board Layout

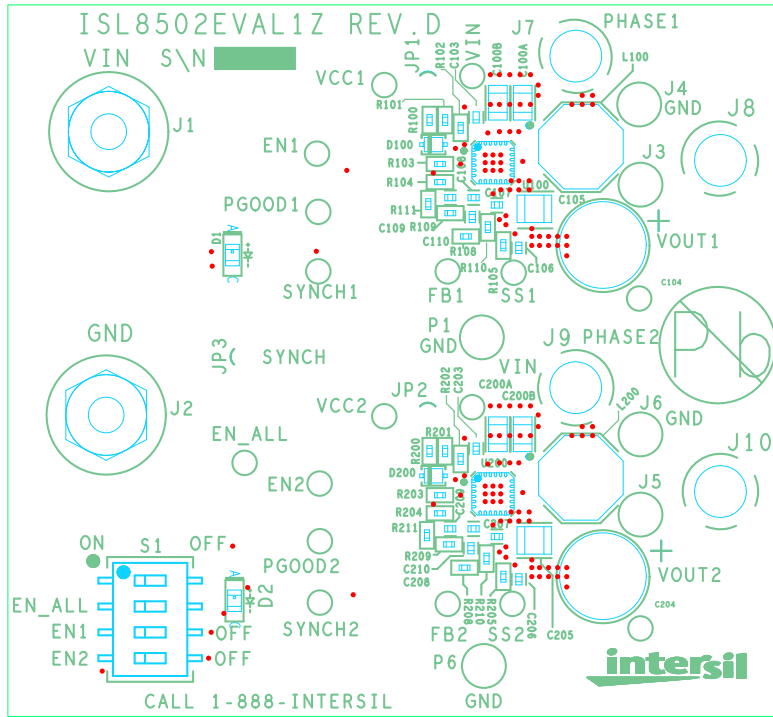


FIGURE 1. TOP COMPONENTS

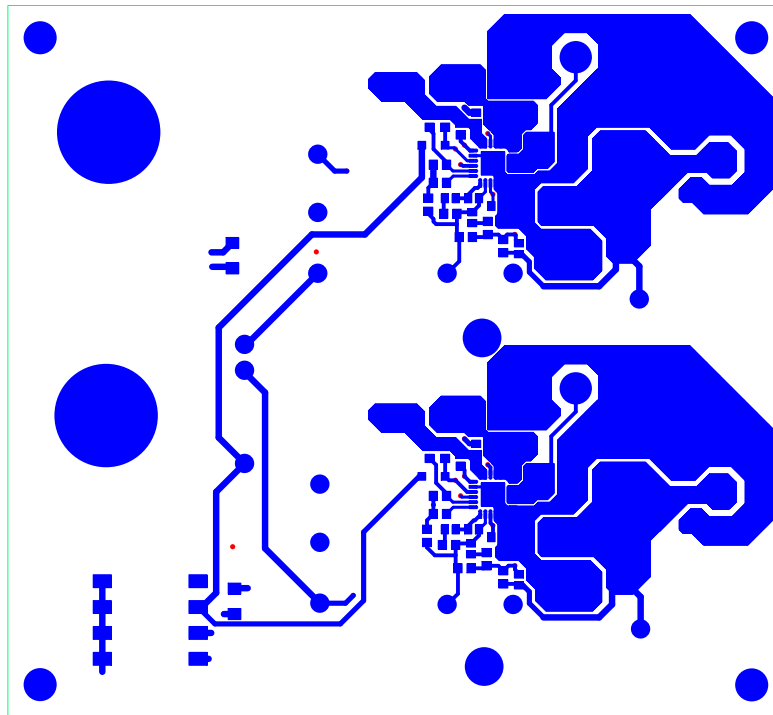
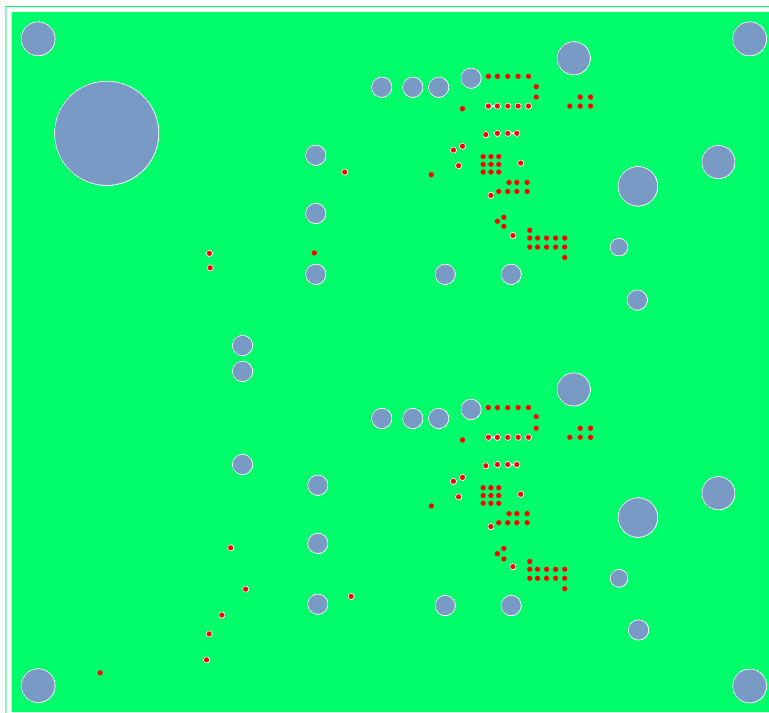
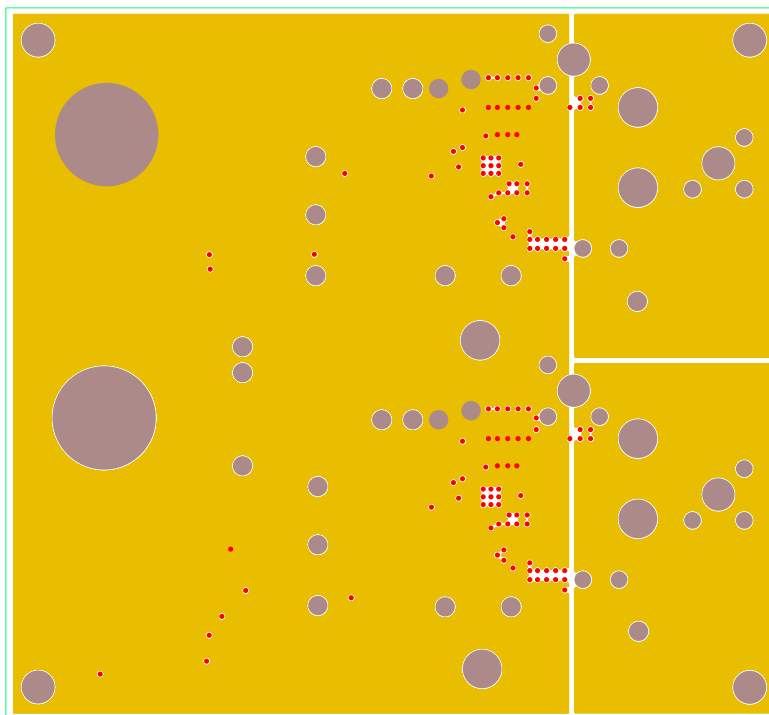


FIGURE 2. TOP LAYER ETCH

**ISL8502EVAL1Z Board Layout** (Continued)

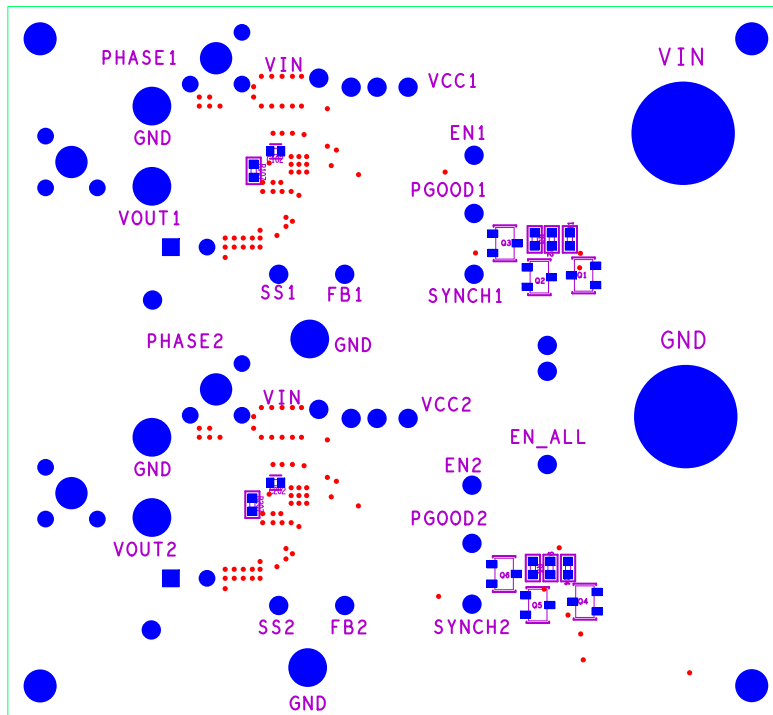


**FIGURE 3. 2ND LAYER ETCH**

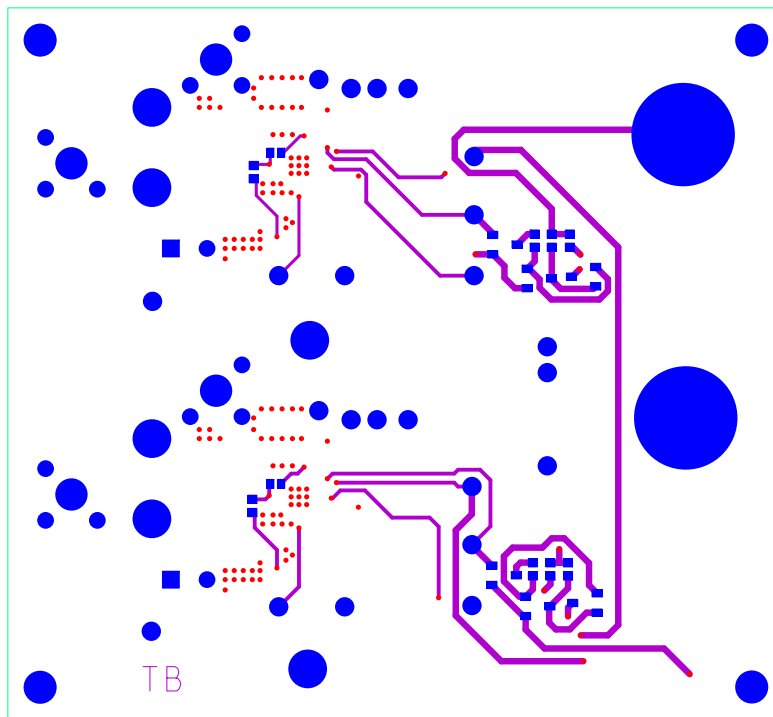


**FIGURE 4. 3RD LAYER ETCH**

**ISL8502EVAL1Z Board Layout** (Continued)



**FIGURE 5. BOTTOM LAYER COMPONENTS (MIRRORED)**



**FIGURE 6. BOTTOM LAYER ETCH (MIRRORED)**



## Notice

1. Descriptions of circuits, software and other related information in this document are provided only to illustrate the operation of semiconductor products and application examples. You are fully responsible for the incorporation or any other use of the circuits, software, and information in the design of your product or system. Renesas Electronics disclaims any and all liability for any losses and damages incurred by you or third parties arising from the use of these circuits, software, or information.
2. Renesas Electronics hereby expressly disclaims any warranties against and liability for infringement or any other claims involving patents, copyrights, or other intellectual property rights of third parties, by or arising from the use of Renesas Electronics products or technical information described in this document, including but not limited to, the product data, drawings, charts, programs, algorithms, and application examples.
3. No license, express, implied or otherwise, is granted hereby under any patents, copyrights or other intellectual property rights of Renesas Electronics or others.
4. You shall not alter, modify, copy, or reverse engineer any Renesas Electronics product, whether in whole or in part. Renesas Electronics disclaims any and all liability for any losses or damages incurred by you or third parties arising from such alteration, modification, copying or reverse engineering.
5. Renesas Electronics products are classified according to the following two quality grades: "Standard" and "High Quality". The intended applications for each Renesas Electronics product depends on the product's quality grade, as indicated below.  
"Standard": Computers; office equipment; communications equipment; test and measurement equipment; audio and visual equipment; home electronic appliances; machine tools; personal electronic equipment; industrial robots; etc.  
"High Quality": Transportation equipment (automobiles, trains, ships, etc.); traffic control (traffic lights); large-scale communication equipment; key financial terminal systems; safety control equipment; etc.  
Unless expressly designated as a high reliability product or a product for harsh environments in a Renesas Electronics data sheet or other Renesas Electronics document, Renesas Electronics products are not intended or authorized for use in products or systems that may pose a direct threat to human life or bodily injury (artificial life support devices or systems; surgical implantations; etc.), or may cause serious property damage (space system; undersea repeaters; nuclear power control systems; aircraft control systems; key plant systems; military equipment; etc.). Renesas Electronics disclaims any and all liability for any damages or losses incurred by you or any third parties arising from the use of any Renesas Electronics product that is inconsistent with any Renesas Electronics data sheet, user's manual or other Renesas Electronics document.
6. When using Renesas Electronics products, refer to the latest product information (data sheets, user's manuals, application notes, "General Notes for Handling and Using Semiconductor Devices" in the reliability handbook, etc.), and ensure that usage conditions are within the ranges specified by Renesas Electronics with respect to maximum ratings, operating power supply voltage range, heat dissipation characteristics, installation, etc. Renesas Electronics disclaims any and all liability for any malfunctions, failure or accident arising out of the use of Renesas Electronics products outside of such specified ranges.
7. Although Renesas Electronics endeavors to improve the quality and reliability of Renesas Electronics products, semiconductor products have specific characteristics, such as the occurrence of failure at a certain rate and malfunctions under certain use conditions. Unless designated as a high reliability product or a product for harsh environments in a Renesas Electronics data sheet or other Renesas Electronics document, Renesas Electronics products are not subject to radiation resistance design. You are responsible for implementing safety measures to guard against the possibility of bodily injury, injury or damage caused by fire, and/or danger to the public in the event of a failure or malfunction of Renesas Electronics products, such as safety design for hardware and software, including but not limited to redundancy, fire control and malfunction prevention, appropriate treatment for aging degradation or any other appropriate measures. Because the evaluation of microcomputer software alone is very difficult and impractical, you are responsible for evaluating the safety of the final products or systems manufactured by you.
8. Please contact a Renesas Electronics sales office for details as to environmental matters such as the environmental compatibility of each Renesas Electronics product. You are responsible for carefully and sufficiently investigating applicable laws and regulations that regulate the inclusion or use of controlled substances, including without limitation, the EU RoHS Directive, and using Renesas Electronics products in compliance with all these applicable laws and regulations. Renesas Electronics disclaims any and all liability for damages or losses occurring as a result of your noncompliance with applicable laws and regulations.
9. Renesas Electronics products and technologies shall not be used for or incorporated into any products or systems whose manufacture, use, or sale is prohibited under any applicable domestic or foreign laws or regulations. You shall comply with any applicable export control laws and regulations promulgated and administered by the governments of any countries asserting jurisdiction over the parties or transactions.
10. It is the responsibility of the buyer or distributor of Renesas Electronics products, or any other party who distributes, disposes of, or otherwise sells or transfers the product to a third party, to notify such third party in advance of the contents and conditions set forth in this document.
11. This document shall not be reprinted, reproduced or duplicated in any form, in whole or in part, without prior written consent of Renesas Electronics.
12. Please contact a Renesas Electronics sales office if you have any questions regarding the information contained in this document or Renesas Electronics products.  
(Note 1) "Renesas Electronics" as used in this document means Renesas Electronics Corporation and also includes its directly or indirectly controlled subsidiaries.  
(Note 2) "Renesas Electronics product(s)" means any product developed or manufactured by or for Renesas Electronics.

(Rev.4.0-1 November 2017)



### SALES OFFICES

Renesas Electronics Corporation

<http://www.renesas.com>

Refer to "<http://www.renesas.com/>" for the latest and detailed information.

**Renesas Electronics America Inc.**  
1001 Murphy Ranch Road, Milpitas, CA 95035, U.S.A.  
Tel: +1-408-432-8888, Fax: +1-408-434-5351

**Renesas Electronics Canada Limited**  
9251 Yonge Street, Suite 8309 Richmond Hill, Ontario Canada L4C 9T3  
Tel: +1-905-237-2004

**Renesas Electronics Europe Limited**  
Dukes Meadow, Millboard Road, Bourne End, Buckinghamshire, SL8 5FH, U.K  
Tel: +44-1628-651-700, Fax: +44-1628-651-804

**Renesas Electronics Europe GmbH**  
Arcadiastrasse 10, 40472 Düsseldorf, Germany  
Tel: +49-211-6503-0, Fax: +49-211-6503-1327

**Renesas Electronics (China) Co., Ltd.**  
Room 1709 Quantum Plaza, No.27 ZhichunLu, Haidian District, Beijing, 100191 P. R. China  
Tel: +86-10-8235-1155, Fax: +86-10-8235-7679

**Renesas Electronics (Shanghai) Co., Ltd.**  
Unit 301, Tower A, Central Towers, 555 Langao Road, Putuo District, Shanghai, 200333 P. R. China  
Tel: +86-21-2226-0888, Fax: +86-21-2226-0999

**Renesas Electronics Hong Kong Limited**  
Unit 1601-1611, 16/F., Tower 2, Grand Century Place, 193 Prince Edward Road West, Mongkok, Kowloon, Hong Kong  
Tel: +852-2265-6688, Fax: +852-2886-9022

**Renesas Electronics Taiwan Co., Ltd.**  
13F, No. 363, Fu Shing North Road, Taipei 10543, Taiwan  
Tel: +886-2-8175-9600, Fax: +886-2-8175-9670

**Renesas Electronics Singapore Pte. Ltd.**  
80 Bendemeer Road, Unit #06-02 Hyflux Innovation Centre, Singapore 339949  
Tel: +65-6213-0200, Fax: +65-6213-0300

**Renesas Electronics Malaysia Sdn.Bhd.**  
Unit 1207, Block B, Menara Amcorp, Amcorp Trade Centre, No. 18, Jln Persiaran Barat, 46050 Petaling Jaya, Selangor Darul Ehsan, Malaysia  
Tel: +60-3-7955-9390, Fax: +60-3-7955-9510

**Renesas Electronics India Pvt. Ltd.**  
No.777C, 100 Feet Road, HAL 2nd Stage, Indiranagar, Bangalore 560 038, India  
Tel: +91-80-67208700, Fax: +91-80-67208777

**Renesas Electronics Korea Co., Ltd.**  
17F, KAMCO Yangjae Tower, 262, Gangnam-daero, Gangnam-gu, Seoul, 06265 Korea  
Tel: +82-2-558-3737, Fax: +82-2-558-5338