

ISL9214AEVAL1Z

Evaluation Board Application Manual

AN1260
Rev 1.00
Jan 26, 2010

Description

The ISL9214AEVAL1Z is an evaluation tool for the ISL9214A single-cell Li-ion battery charger. The evaluation tool provides a complete evaluation platform addressing all data sheet specifications and functionality. The jumpers on the board facilitate the programming of the charge current and the different charging conditions and can be used to make other necessary connections, such as current measurement.

The ISL9214A is a dual input, fully integrated single-cell Li-ion battery charger. The ISL9214A charger accepts two input sources: one from a USB port and the other from a desktop cradle. Both inputs accept input voltages ranging from 4.5V up to 28V. Due to the high voltage capability, the components associated with the cradle input circuit on the evaluation board are good for a 28V supply.

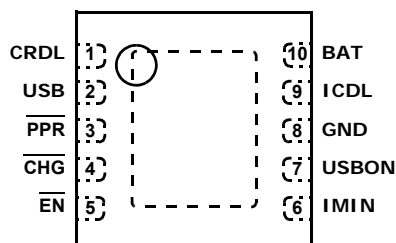
The components assembled in the center square constitute a complete charger, indicating the space saving advantage of the typical ISL9214A installation in space-limited applications.

Ordering Information

PART #	DESCRIPTION
ISL9214AEVAL1Z	Evaluation Board for ISL9214A

Pin Configuration

ISL9214A
10 LD DFN
TOP VIEW



Features

- A Complete Evaluation Platform for the ISL9214A Charger
- The Center Square Suggesting the Space Saving Advantage of the Typical Components Assembly
- Both Inputs Accept Voltage up to 28V
- Flexible Power Connectors Each with a Hook and a Solder Pad Providing Variety to Users
- USB Port On Board Accepts Power Directly From USB Cable
- Convenient Jumpers for Programming the Charge Current, Charge Mode and for Current Measurement
- 3.5x2.5 Square Inches Board Size Handy for Evaluation
- Thermal Vias in the Thermal Pad Similar To Customers' Thermally Enhanced Environment
- On-Board LEDs for Input $\overline{\text{PPR}}$ and $\overline{\text{CHG}}$ State Indication
- Pb-Free (RoHS Compliant)

What is Needed

The following instruments will be needed to perform testing:

- Power supplies:
 - 1) PS1: DC 30V/2A
 - 2) PS2: DC 10V/2A
 - 3) PS3: DC 10V/2A
- DC Electronic load: 20V/2A
- Multimeters
- Function generator
- Oscilloscope
- Cables and wires

Quick Setup Guide (Refer to Figure 1)

DO NOT APPLY POWER UNTIL STEP 6

For Cradle Input:

- Step 1: Connect a 5V supply PS1 to CRDL input (J1, upper +) with the current limit set at 1.3A
- Step 2: Connect a 3.7V supply PS3 to BAT output (J3, upper +) with the current limit set at 1.3A
- Step 3: Connect a current meter to JP6, as shown in Figure 1
- Step 4: Connect the DC electronic load of 1.2A to BAT (J3, upper +)
- Step 5: Insert a jumper shunt on JP1, all other jumper shunts are not installed
- Step 6: Turn on Power Supplies and DC electronic load, adjust the power supply PS3 such that the voltmeter V2 reads 3.7V
- Step 7: Both the red and the green LEDs should be on, indicating power on and charging condition
- Step 8: The current meter I2 should read about 0.28A as the charging current
- Step 9: Insert a jumper shunt on JP7 and the current meter I2 should read about 0.575A charging current
- Step 10: Insert a jumper shunt on both JP7 and JP8, the current meter I2 should read about 1.04A charging current
- Step 11: Reduce the voltage at PS3 to 2.0V for trickle charge currents. Repeat Steps 8, 9 and 10. The current reading should be 52mA, 103mA and 187mA for steps 8, 9 and 10, respectively
- Step 12: Slowly reduce the DC electronic load current until the green LED turns off. The current meter I2 should read about 47mA EOC current
- Step 13: Insert a jumper shunt on JP5 and repeat Step 12, the current meter I2 should read 93mA EOC current

For USB Input:

- Step 1: Connect a 5V supply PS2 to USB with the current limit set at 0.7A
- Step 2: Connect a 3.7V supply PS3 to BAT (J3 upper +) with the current limit set at 0.7A
- Step 3: Connect the DC electronic load of 0.6A to BAT (upper +)
- Step 4: Connect a current meter to JP6 as shown in Figure 1
- Step 5: Install a jumper shunt on JP2 and a jumper shunt on JP4 to the USBON position, all other jumpers shunts are not installed
- Step 6: Turn on Power Supplies and DC electronic load, adjust the power supply PS3 such that the voltmeter V2 reads 3.7V
- Step 7: Both the red and the green LEDs should be on, indicating power on and charging condition
- Step 8: The current meter I2 should read about 0.38A charging current
- Step 9: Reduce the voltage at PS3 to 2.0V for trickle charge current. Repeat Step 8. The reading should be around 80mA
- Step 10: Slowly reduce the electronic load current until the green LED turns off, the current meter I2 should read about 55mA EOC current
- Step 11: Insert a jumper shunt on JP5 and repeat Step 10. The current meter I2 should read 75mA EOC current

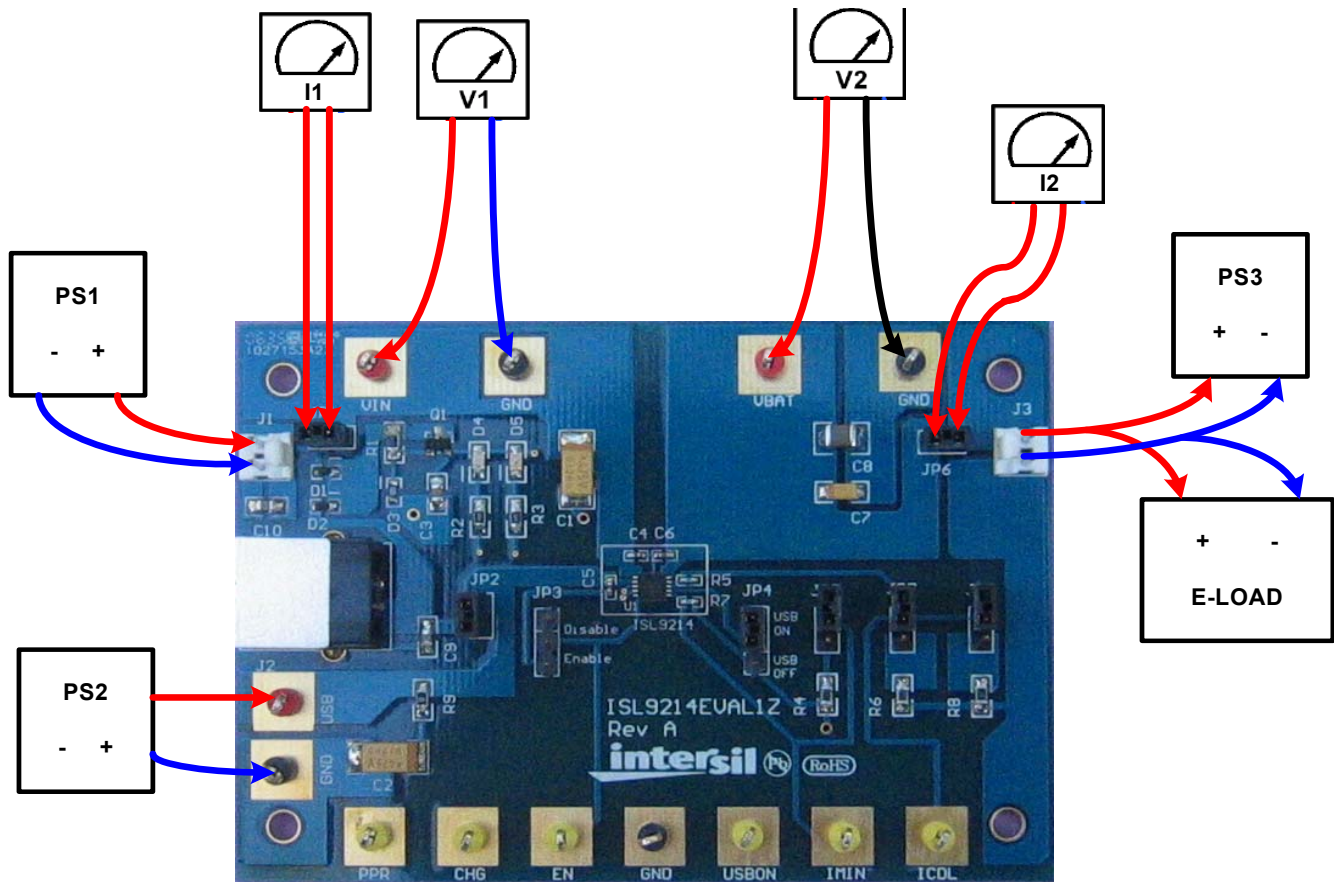


FIGURE 1. CONNECTION OF INSTRUMENTS

Description of Jumper Settings

JP1 - A shunt installed on JP1 connects the input source from connector J1 to the circuit if input current measurement is not needed. The shunt can be replaced by a current meter if input current measurement is needed, as shown in Figure 1.

JP2 - A shunt installed on JP2 connects the input source from the USB port connector to the USB pin if a USB port is used for the evaluation.

JP3 - Connects the \overline{EN} pin to a pull-up voltage or GND. The pull-up voltage is regulated 3.3V from the input source (either Cradle or USB). If there is no shunt installed on JP3, the \overline{EN} pin is internally pulled down to logic LOW, which enables the charger. If a shunt is installed across the two jumper pins labeled as "Enable", the \overline{EN} pin is driven to logic LOW, the charger is enabled, same as floating. If the shunt is installed across the two jumper pins labeled as "Disable", the \overline{EN} pin is driven to logic HIGH, which disables the charger.

JP4 - ON/OFF control for USB input. Install a jumper shunt on USB OFF position to turn off the USB charge but has no impact on the cradle input charge.

JP5 - Parallels an additional 11.8k resistor to the I_{MIN} pin (total R_{IMIN} = 5.9k), such that the End-of-Charge

Current will be increased to 93mA (R_{IMIN} is 11.8k and the EOC current is 46.5mA without the shunt).

JP6 - A shunt installed on JP6 connects the BAT pin to the output connector J3 if output current measurement is not needed. The shunt can be replaced by a current meter if output current measurement is needed as shown in Figure 1.

JP7 - Parallels an additional 23.7k resistor to the I_{CDL} pin (total R_{ICDL} = 11.85k), such that the cradle charge current will be increased to 0.575A (R_{IREF} is 23.7k and the charge current is 0.28A if the shunts on both JP7 and JP8 are removed).

JP8 - Parallels an additional 14.7k resistor to the I_{CDL} pin (when JP7 is installed, total R_{ICDL} = 6.56k), such that the cradle charge current will be increased to 1.04A.

TABLE 1. JUMPER SETTING SUMMARY

JUMPER	POSITION	FUNCTION
JP1	Shunt installed	Connects input source at J1 to CRDL pin
JP2	Shunt installed	Connects input source from USB port connector to USB pin
JP3	Shunt on Disable	Charger disabled
	Shunt on Enable	Charger enabled
	Shunt not installed	Charger enabled
JP4	Shunt on USB OFF	Turns off USB charge
	Shunt on USB ON	Turns on USB charge
	Shunt not installed	Turns off USB charge
JP5	Shunt installed	Sets CRDL and USB EOC current to 93mA
JP6	Shunt installed	Connects BAT to J3
JP7	Shunt installed	Sets CRDL charging current to 0.575A, if shunt on JP7 is not installed
JP8	Shunt installed	Sets CRDL charging current to 1.04A, if shunt on JP7 is also installed

Board Design

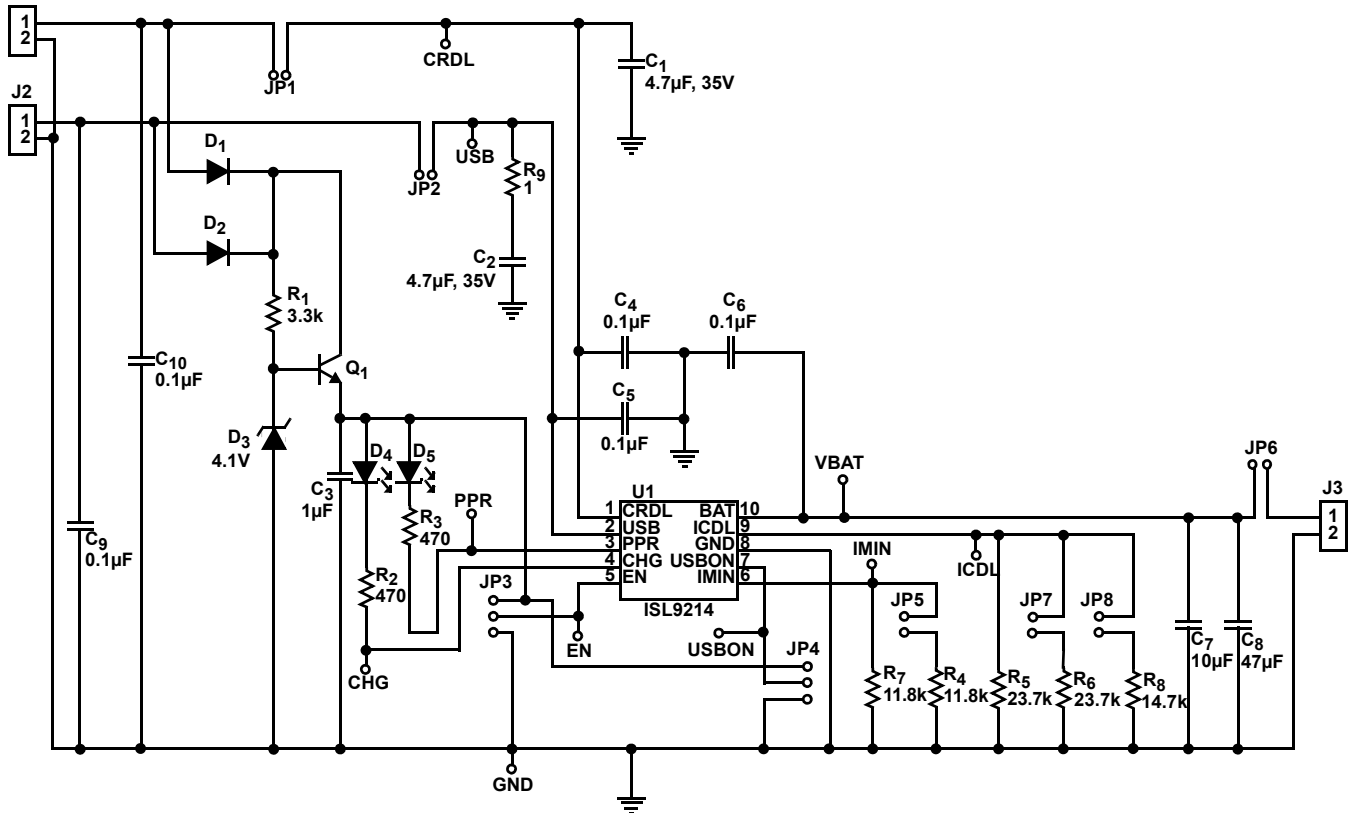


FIGURE 2. SCHEMATIC

ISL9214AEVAL1Z Bill of Materials

ITEM	QTY	REFERENCE	PART DESCRIPTION	PCB FOOTPRINT	PART NUMBER	VENDOR
1	1	U1	ISL9214A Charger	3x3 DFN	ISL9214A	Intersil
2	1	R1	3.3k, 5%, SMD Resistor	0805	ERJ-6GEYJ332V	Panasonic
3	2	R2, R3	470Ω, 5%, SMD Resistor	0805	ERJ-6GEYJ471V	Panasonic
4	1	R4	11.8k, 1%, SMD Resistor	0805	ERJ-6ENF1182V	Panasonic
5	1	R7	11.8k, 1%, SMD Resistor	0402	ERJ-2RKF1182X	Panasonic
6	1	R5	23.7k, 1%, SMD Resistor	0402	ERJ-2RKF2372X	Panasonic
7	1	R6	23.7k, 1%, SMD Resistor	8085	ERJ-6ENF2372V	Panasonic
8	1	R8	14.7k, 1%, SMD Resistor	0805	ERJ-6ENF1472V	Panasonic
9	1	R9	0Ω 5%, SMD Resistor	0805	9C08052A0R00JLHFT	Yageo
10	2	C1, C2	4.7μF, 35V, Tantalum	0805	ECS-T1VC475R	Panasonic
11	2	C9, C10	0.1μF, 50V, X7R Ceramic	0805	C2012X7R1H104K	TDK
12	1	C7	10μF, 6.3V Tantalum	1206	ECS-T0JY106R	Panasonic
13	1	C8	47μF, 6.3V, X5R Ceramic	1210	ECJ-4YB0J476M	Panasonic
14	1	C3	1μF, 25V, X5R Ceramic	0805	ECJ-2FB1E105K	Panasonic
15	3	C4, C5, C6	0.01μF, 50V, X7R Ceramic	0402	C0402C103K5RACTU	Kemet
16	2	J1, J3	2.54mm Center Header, 2 CKT		22-11-2022	Molex
17	3	CRDL, USB, VBAT	Test point, Red		5010	Keystone
18	6	PPR, CHG, EN, IMIN, USBON	Test point, Yellow		5014	Keystone
		ICDL				
19	3	GND1, GND2, GND3	Test point, Black		5011	Keystone
20	6	JP1, JP2, JP5, JP6, JP7, JP8	2.54mm header, 2 CKT		22-28-4020	Molex
21	2	JP3, JP4	2.54mm header, 3 CKT		22-28-4030	Molex
22	1	D4	Green LED	0805	SML-LXT0805GW-TR	Lumex
23	1	D5	Red LED	0805	SML-LXT0805IW-TR	Lumex
24	2	D1, D2	Switching Diode 100V, 250mA	SOD-523	CMOD4448	Central Diodes
25	1	D3	Zener diode 4.3V, 200mW	SOD-323	MMSZ5229BS	Diodes
26	1	Q1	60V, 1A, NPN Transistor	SOT-23	FMMT491TA	Zetex
27	1	J2	Type B, Female USB	Type B	787780-1	Amp/Tyco
28	4		Pumpon, 0.44x0.2, black		SJ-5303	3M/ESM

PCB Layout

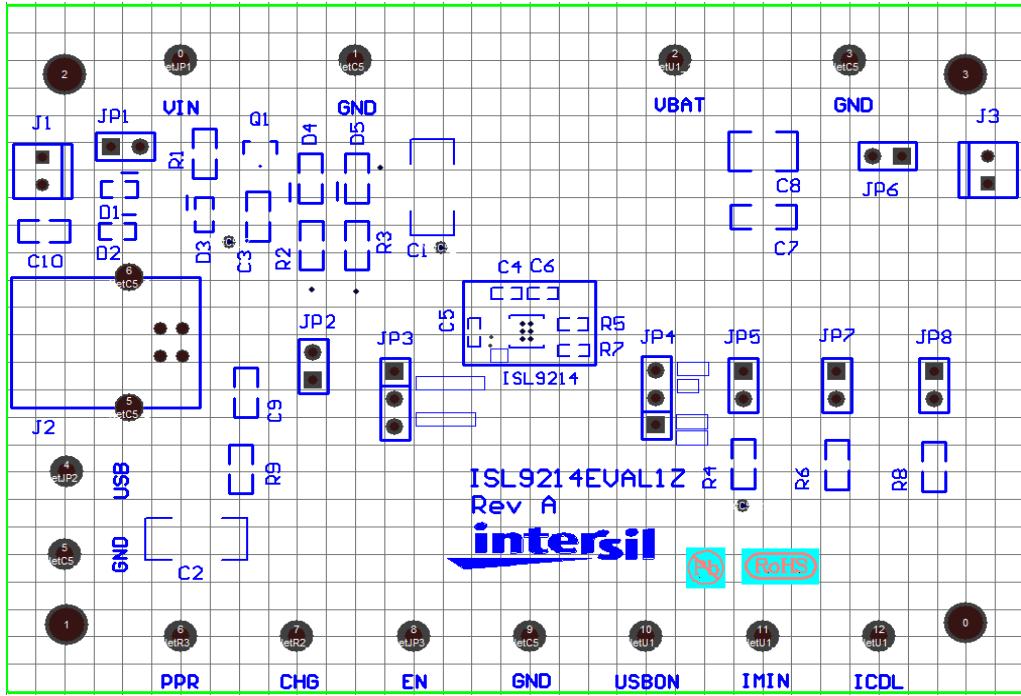


FIGURE 3. SILK LAYER

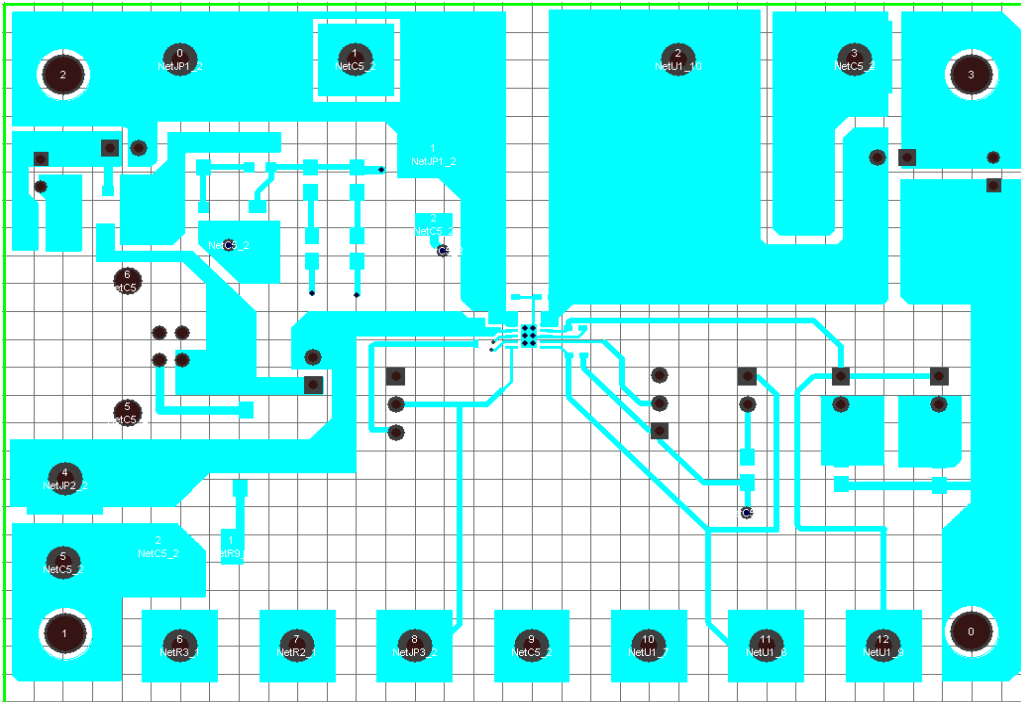


FIGURE 4. TOP LAYER

PCB Layout (Continued)

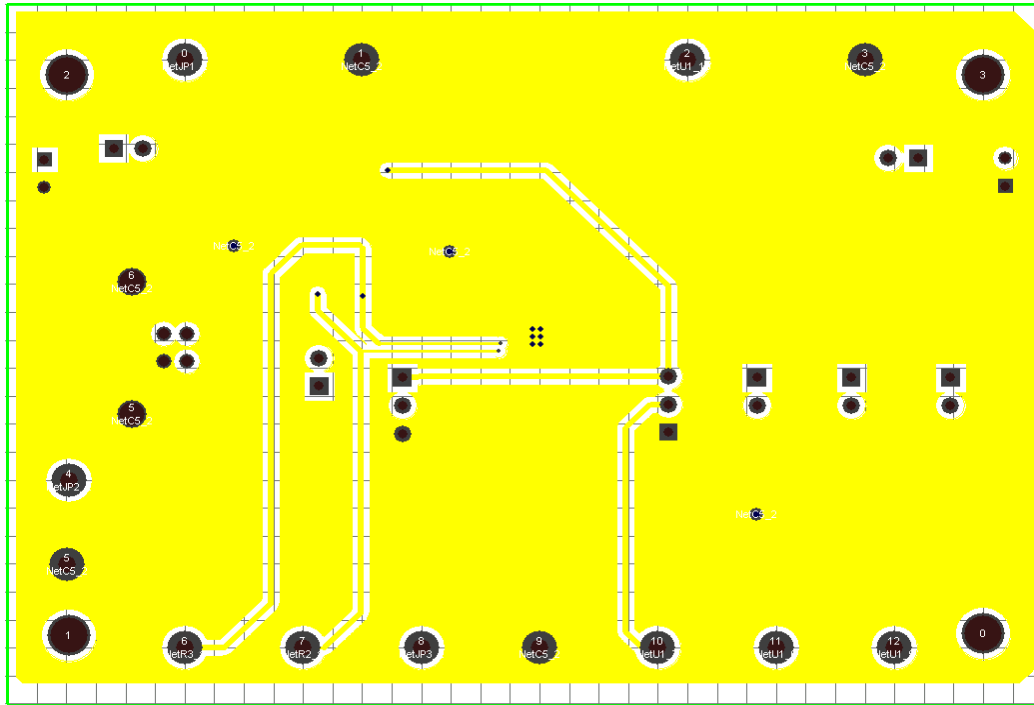


FIGURE 5. BOTTOM LAYER

Notice

1. Descriptions of circuits, software and other related information in this document are provided only to illustrate the operation of semiconductor products and application examples. You are fully responsible for the incorporation or any other use of the circuits, software, and information in the design of your product or system. Renesas Electronics disclaims any and all liability for any losses and damages incurred by you or third parties arising from the use of these circuits, software, or information.
2. Renesas Electronics hereby expressly disclaims any warranties against and liability for infringement or any other claims involving patents, copyrights, or other intellectual property rights of third parties, by or arising from the use of Renesas Electronics products or technical information described in this document, including but not limited to, the product data, drawings, charts, programs, algorithms, and application examples.
3. No license, express, implied or otherwise, is granted hereby under any patents, copyrights or other intellectual property rights of Renesas Electronics or others.
4. You shall not alter, modify, copy, or reverse engineer any Renesas Electronics product, whether in whole or in part. Renesas Electronics disclaims any and all liability for any losses or damages incurred by you or third parties arising from such alteration, modification, copying or reverse engineering.
5. Renesas Electronics products are classified according to the following two quality grades: "Standard" and "High Quality". The intended applications for each Renesas Electronics product depends on the product's quality grade, as indicated below.
"Standard": Computers; office equipment; communications equipment; test and measurement equipment; audio and visual equipment; home electronic appliances; machine tools; personal electronic equipment; industrial robots; etc.
"High Quality": Transportation equipment (automobiles, trains, ships, etc.); traffic control (traffic lights); large-scale communication equipment; key financial terminal systems; safety control equipment; etc.
Unless expressly designated as a high reliability product or a product for harsh environments in a Renesas Electronics data sheet or other Renesas Electronics document, Renesas Electronics products are not intended or authorized for use in products or systems that may pose a direct threat to human life or bodily injury (artificial life support devices or systems; surgical implantations; etc.), or may cause serious property damage (space system; undersea repeaters; nuclear power control systems; aircraft control systems; key plant systems; military equipment; etc.). Renesas Electronics disclaims any and all liability for any damages or losses incurred by you or any third parties arising from the use of any Renesas Electronics product that is inconsistent with any Renesas Electronics data sheet, user's manual or other Renesas Electronics document.
6. When using Renesas Electronics products, refer to the latest product information (data sheets, user's manuals, application notes, "General Notes for Handling and Using Semiconductor Devices" in the reliability handbook, etc.), and ensure that usage conditions are within the ranges specified by Renesas Electronics with respect to maximum ratings, operating power supply voltage range, heat dissipation characteristics, installation, etc. Renesas Electronics disclaims any and all liability for any malfunctions, failure or accident arising out of the use of Renesas Electronics products outside of such specified ranges.
7. Although Renesas Electronics endeavors to improve the quality and reliability of Renesas Electronics products, semiconductor products have specific characteristics, such as the occurrence of failure at a certain rate and malfunctions under certain use conditions. Unless designated as a high reliability product or a product for harsh environments in a Renesas Electronics data sheet or other Renesas Electronics document, Renesas Electronics products are not subject to radiation resistance design. You are responsible for implementing safety measures to guard against the possibility of bodily injury, injury or damage caused by fire, and/or danger to the public in the event of a failure or malfunction of Renesas Electronics products, such as safety design for hardware and software, including but not limited to redundancy, fire control and malfunction prevention, appropriate treatment for aging degradation or any other appropriate measures. Because the evaluation of microcomputer software alone is very difficult and impractical, you are responsible for evaluating the safety of the final products or systems manufactured by you.
8. Please contact a Renesas Electronics sales office for details as to environmental matters such as the environmental compatibility of each Renesas Electronics product. You are responsible for carefully and sufficiently investigating applicable laws and regulations that regulate the inclusion or use of controlled substances, including without limitation, the EU RoHS Directive, and using Renesas Electronics products in compliance with all these applicable laws and regulations. Renesas Electronics disclaims any and all liability for damages or losses occurring as a result of your noncompliance with applicable laws and regulations.
9. Renesas Electronics products and technologies shall not be used for or incorporated into any products or systems whose manufacture, use, or sale is prohibited under any applicable domestic or foreign laws or regulations. You shall comply with any applicable export control laws and regulations promulgated and administered by the governments of any countries asserting jurisdiction over the parties or transactions.
10. It is the responsibility of the buyer or distributor of Renesas Electronics products, or any other party who distributes, disposes of, or otherwise sells or transfers the product to a third party, to notify such third party in advance of the contents and conditions set forth in this document.
11. This document shall not be reprinted, reproduced or duplicated in any form, in whole or in part, without prior written consent of Renesas Electronics.
12. Please contact a Renesas Electronics sales office if you have any questions regarding the information contained in this document or Renesas Electronics products.
(Note 1) "Renesas Electronics" as used in this document means Renesas Electronics Corporation and also includes its directly or indirectly controlled subsidiaries.
(Note 2) "Renesas Electronics product(s)" means any product developed or manufactured by or for Renesas Electronics.

(Rev.4.0-1 November 2017)



SALES OFFICES

Renesas Electronics Corporation

<http://www.renesas.com>

Refer to "<http://www.renesas.com/>" for the latest and detailed information.

Renesas Electronics America Inc.
1001 Murphy Ranch Road, Milpitas, CA 95035, U.S.A.
Tel: +1-408-432-8888, Fax: +1-408-434-5351

Renesas Electronics Canada Limited
9251 Yonge Street, Suite 8309 Richmond Hill, Ontario Canada L4C 9T3
Tel: +1-905-237-2004

Renesas Electronics Europe Limited
Dukes Meadow, Millboard Road, Bourne End, Buckinghamshire, SL8 5FH, U.K
Tel: +44-1628-651-700, Fax: +44-1628-651-804

Renesas Electronics Europe GmbH
Arcadiastrasse 10, 40472 Düsseldorf, Germany
Tel: +49-211-6503-0, Fax: +49-211-6503-1327

Renesas Electronics (China) Co., Ltd.
Room 1709 Quantum Plaza, No.27 ZhichunLu, Haidian District, Beijing, 100191 P. R. China
Tel: +86-10-8235-1155, Fax: +86-10-8235-7679

Renesas Electronics (Shanghai) Co., Ltd.
Unit 301, Tower A, Central Towers, 555 Langao Road, Putuo District, Shanghai, 200333 P. R. China
Tel: +86-21-2226-0888, Fax: +86-21-2226-0999

Renesas Electronics Hong Kong Limited
Unit 1601-1611, 16/F., Tower 2, Grand Century Place, 193 Prince Edward Road West, Mongkok, Kowloon, Hong Kong
Tel: +852-2265-6688, Fax: +852-2886-9022

Renesas Electronics Taiwan Co., Ltd.
13F, No. 363, Fu Shing North Road, Taipei 10543, Taiwan
Tel: +886-2-8175-9600, Fax: +886-2-8175-9670

Renesas Electronics Singapore Pte. Ltd.
80 Bendemeer Road, Unit #06-02 Hyflux Innovation Centre, Singapore 339949
Tel: +65-6213-0200, Fax: +65-6213-0300

Renesas Electronics Malaysia Sdn.Bhd.
Unit 1207, Block B, Menara Amcorp, Amcorp Trade Centre, No. 18, Jln Persiaran Barat, 46050 Petaling Jaya, Selangor Darul Ehsan, Malaysia
Tel: +60-3-7955-9390, Fax: +60-3-7955-9510

Renesas Electronics India Pvt. Ltd.
No.777C, 100 Feet Road, HAL 2nd Stage, Indiranagar, Bangalore 560 038, India
Tel: +91-80-67208700, Fax: +91-80-67208777

Renesas Electronics Korea Co., Ltd.
17F, KAMCO Yangjae Tower, 262, Gangnam-daero, Gangnam-gu, Seoul, 06265 Korea
Tel: +82-2-558-3737, Fax: +82-2-558-5338