

Renesas Starter Kit for RX62T CPU Board Schematics

REV	REF	DATE	DRAWN BY
1.00	Release	27.07.2010	YOI
1.10	Release	27.06.2012	YOI

PAGE	DESCRIPTION
1	INDEX
2	RX62T Microcontroller
3	PSU, RESET, Switches, LEDs
4	E1 & E20 Emulator, MCU Mode Setting, Serial Port
5	Application Headers, Header Function Select, MCU Pin Function Select
6	Debug LCD, CAN, LIN
7	Microcontroller Pin Headers

Note:

R : Fixed Resistor
 RV : Potentiometer
 U : Integrated Circuit
 X : Crystal
 RES : Reset Switch
 SW : Switch
 LED : Light Emitting Diode
 PWR : Power Jack
 J : Connector, Jumper

Board Variation:

R0K5562T0C000BE : WS/MP Product

* "DNF" marking means that component does not fit by default.

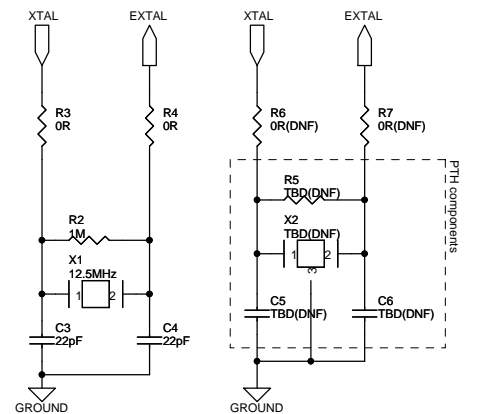
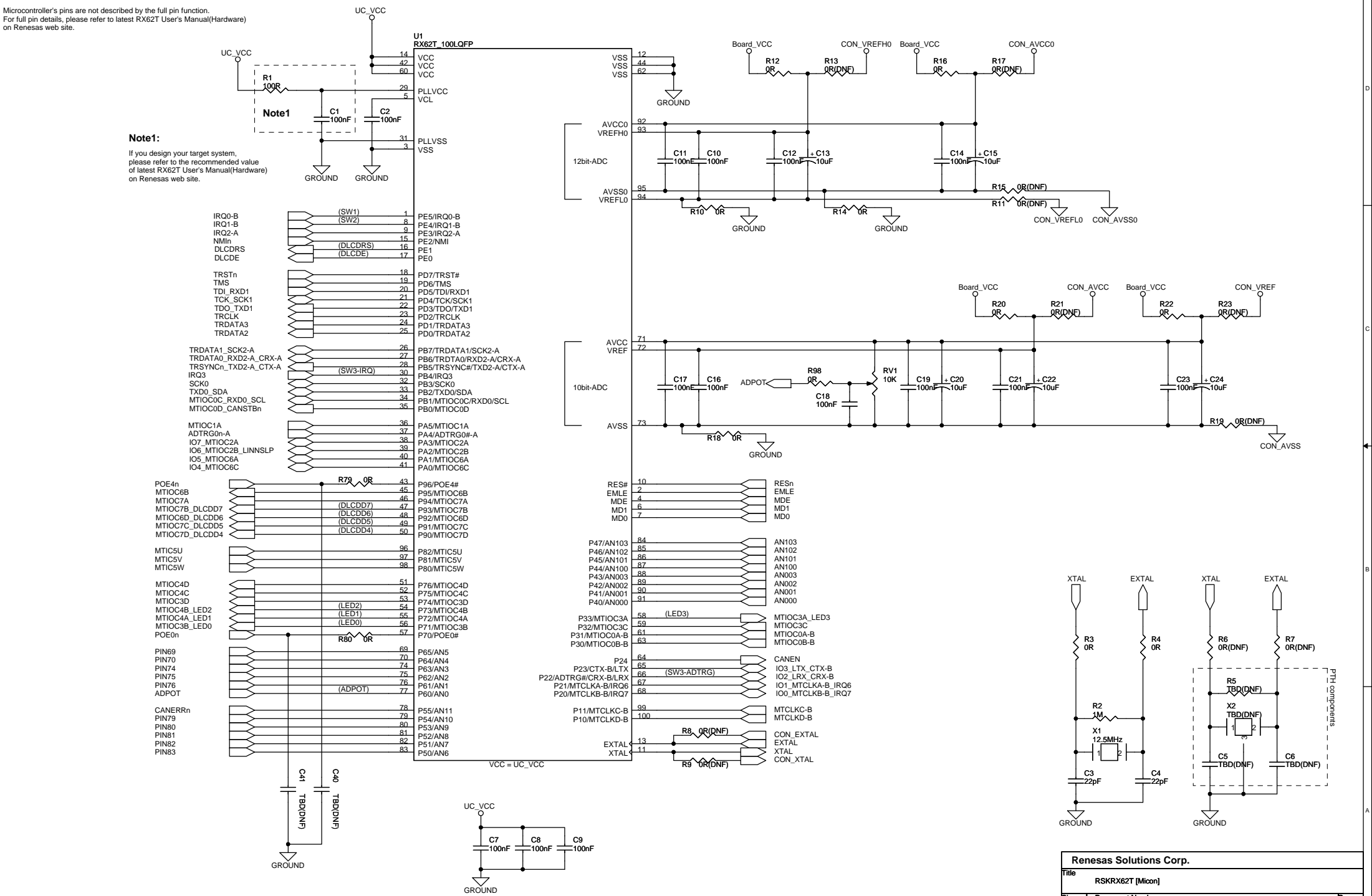
RTE Drawing No. D009742
 RSO Drawing No. DK30839

Renesas Solutions Corp.			
Title		RSKRX62T [INDEX]	
Size	Document Number	Rev	
	RJJ99J0072-0110	1.10	
Date:	Wednesday, June 27, 2012	Sheet	1 of 7

RX62T Microcontroller

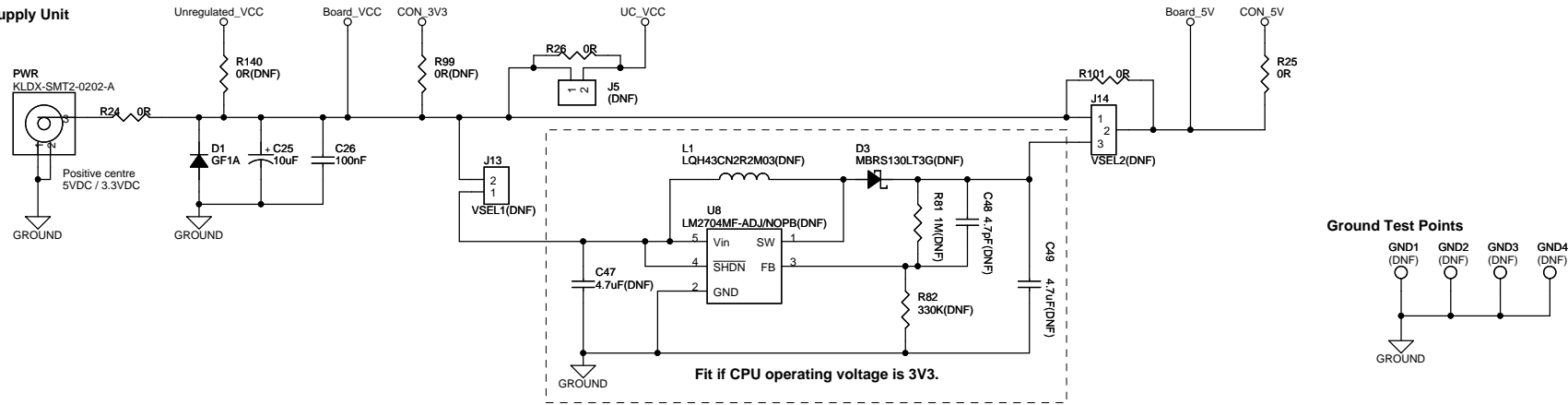
Note:
Microcontroller's pins are not described by the full pin function.
For full pin details, please refer to latest RX62T User's Manual(Hardware)
on Renesas web site.

Note1:
If you design your target system,
please refer to the recommended value
of latest RX62T User's Manual(Hardware)
on Renesas web site.

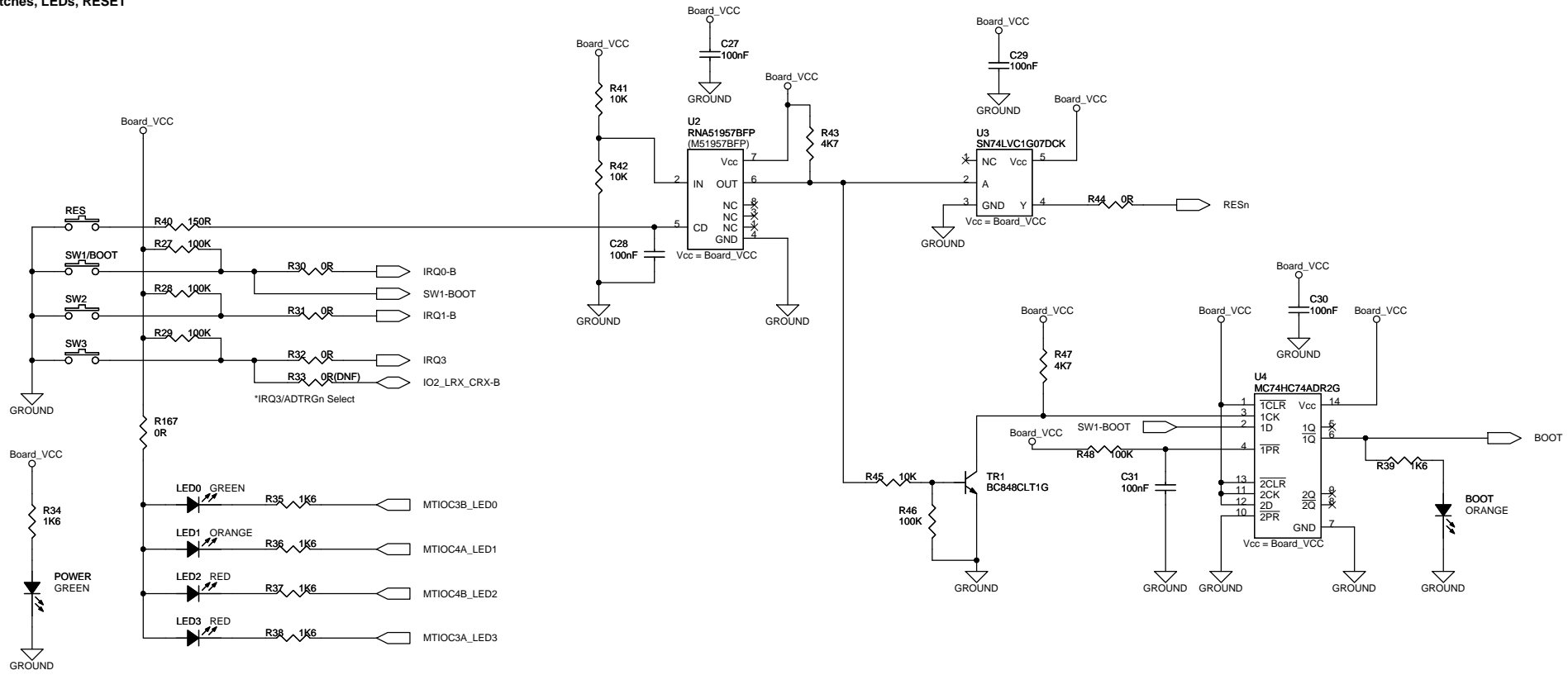


Renesas Solutions Corp.		
Title	RSKRX62T [Micon]	
Size	Document Number	Rev
	RJJ99J0072-0110	1.10
Date:	Wednesday, June 27, 2012	Sheet 2 of 7

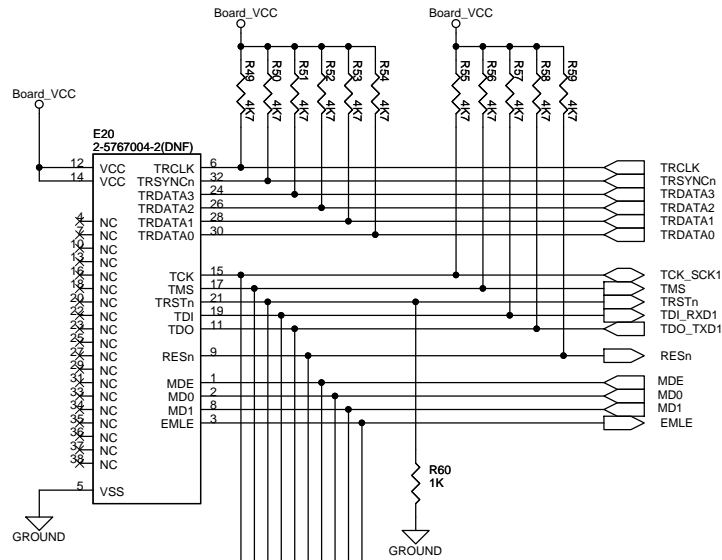
Power Supply Unit



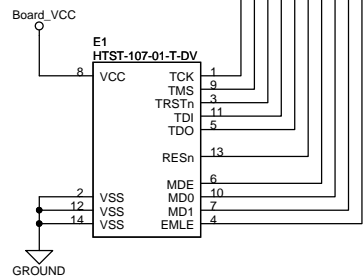
Switches, LEDs, RESET



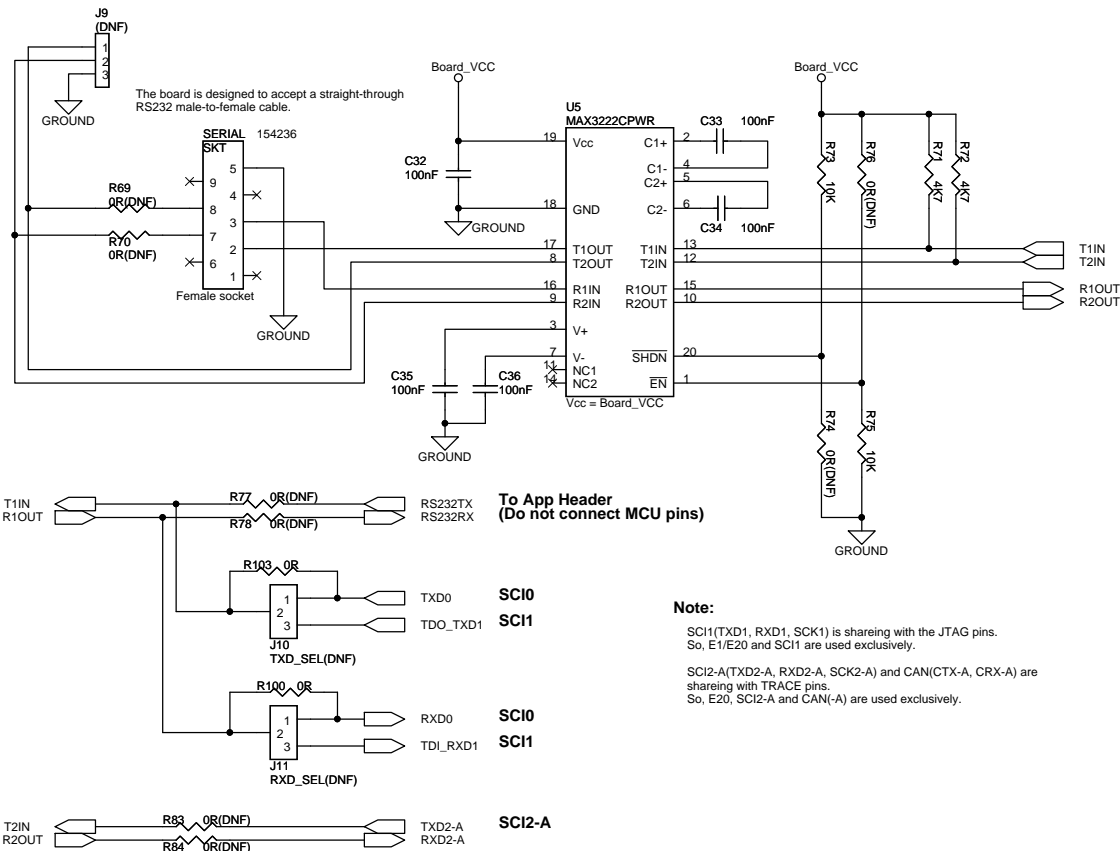
E20 Emulator Interface



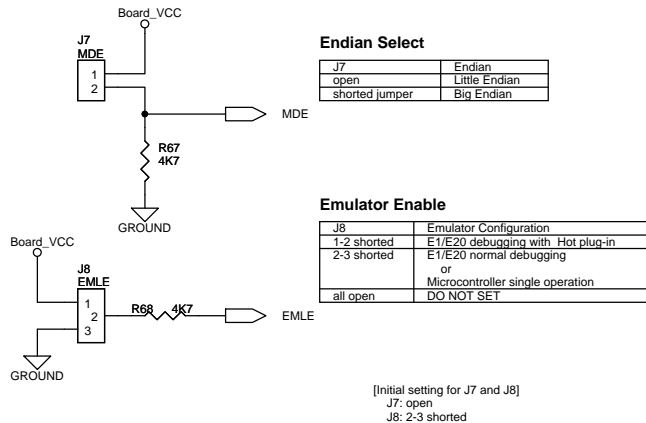
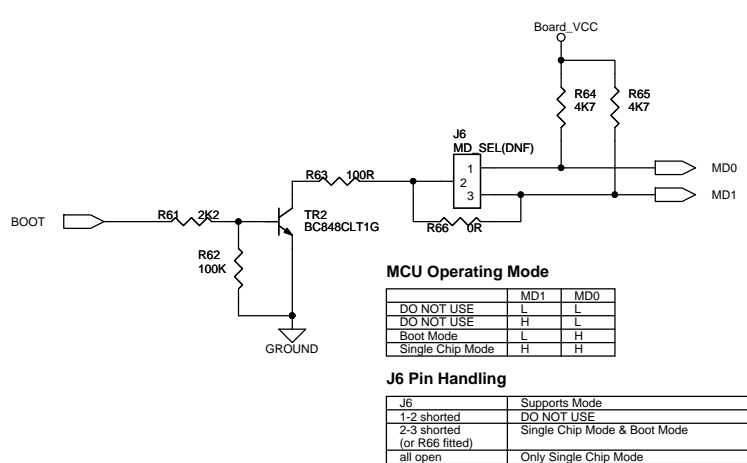
E1 Emulator Interface



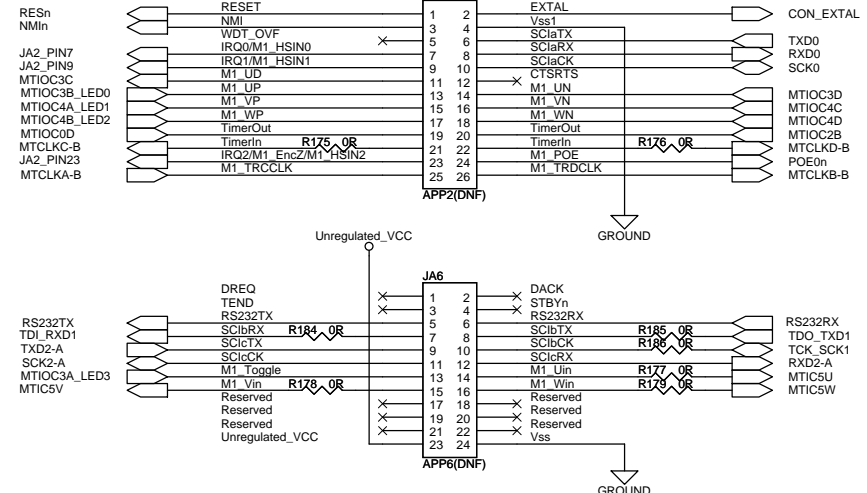
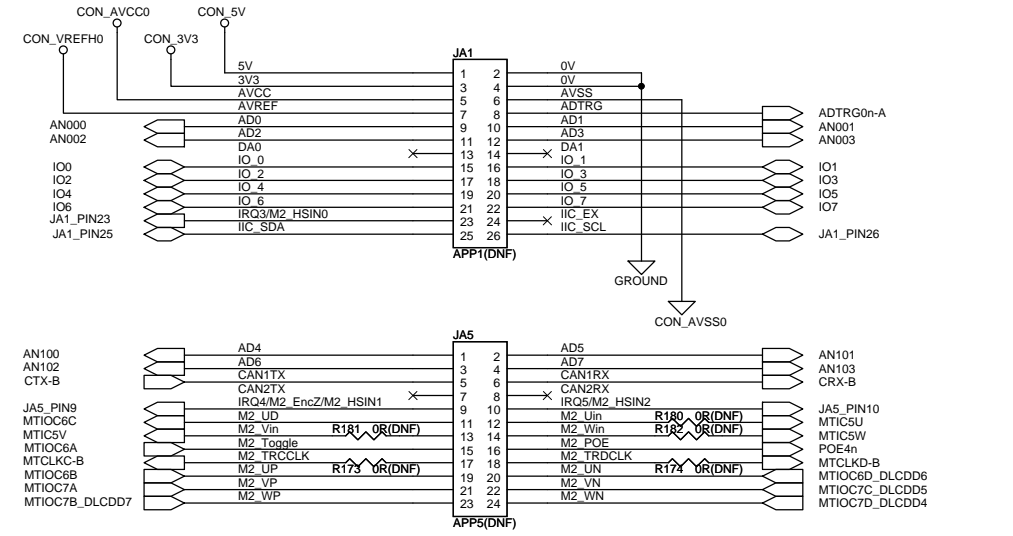
Serial Port



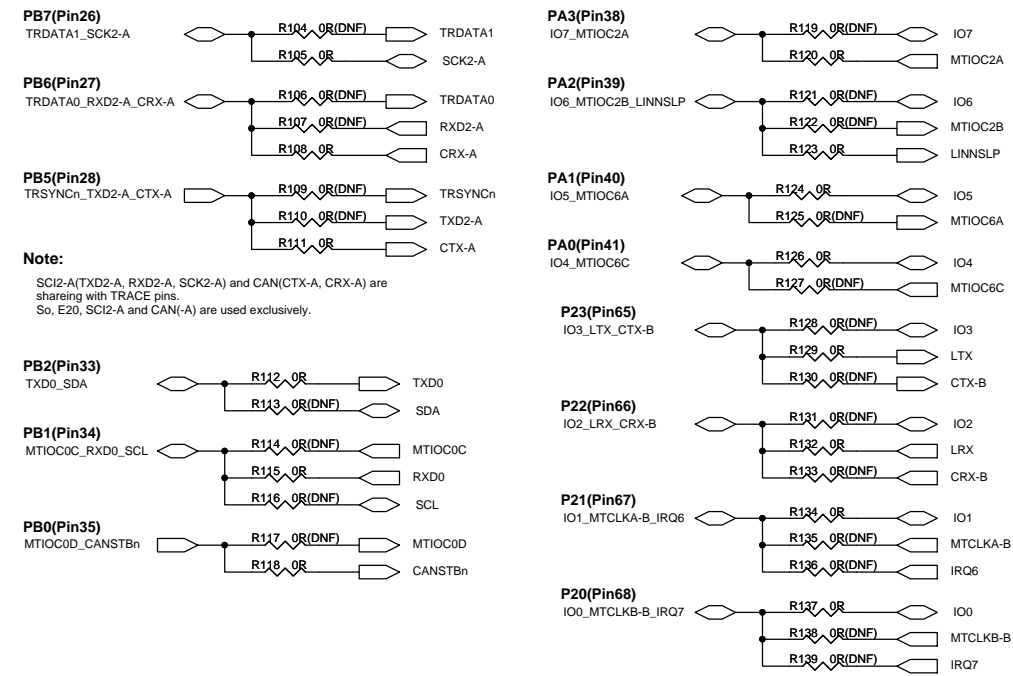
MCU Mode Setting



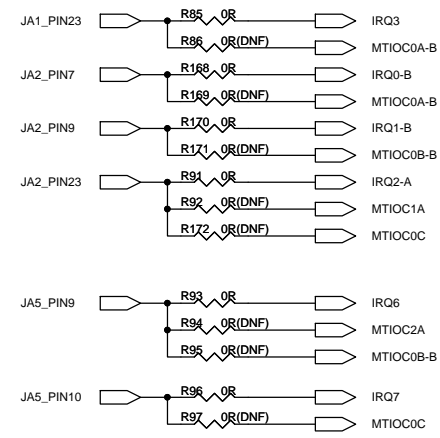
Application Headers



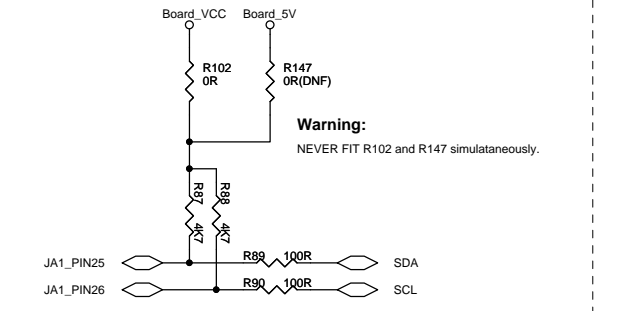
MCU Pin Function Select

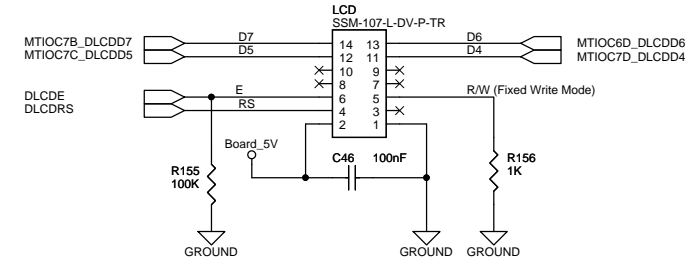
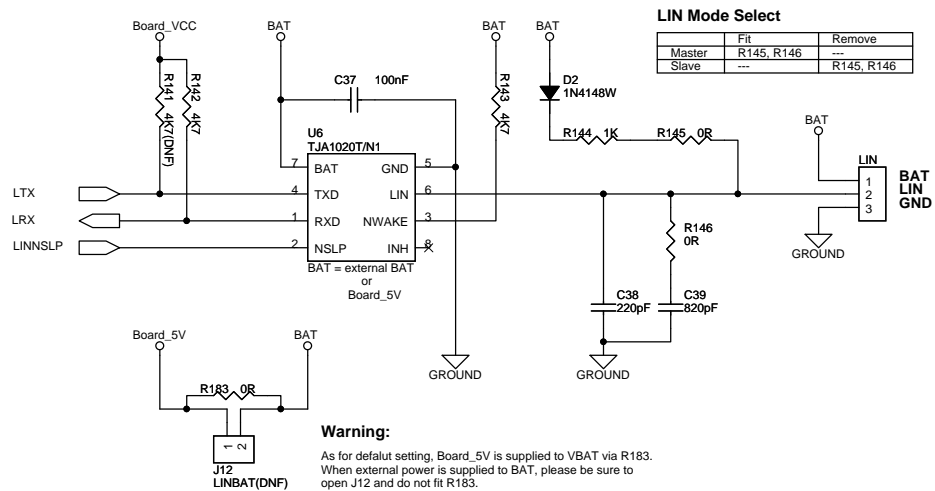


Header Function Select

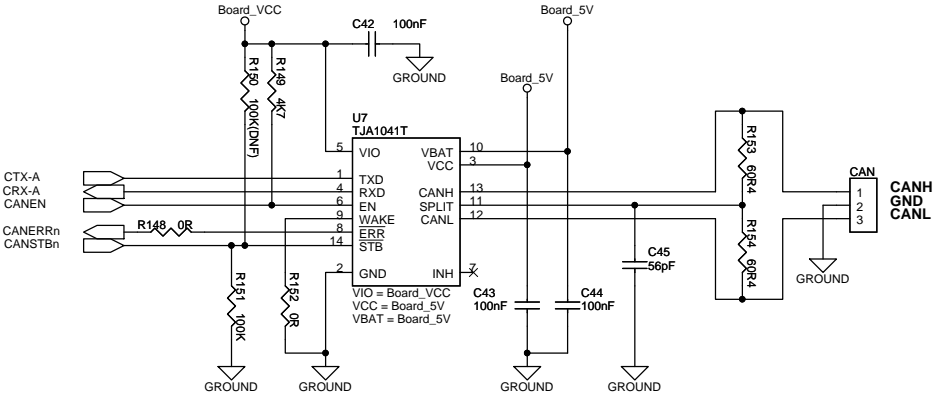
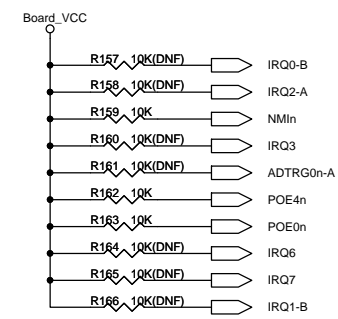


IIC resistor handling





Pull-up resistor



Microcontroller Pin Headers

