

The YQB-R5F11EFA -TB is a target board used for evaluating microcontroller operations, using the E1, the Renesas Electronics on-chip debug emulator with programming function.

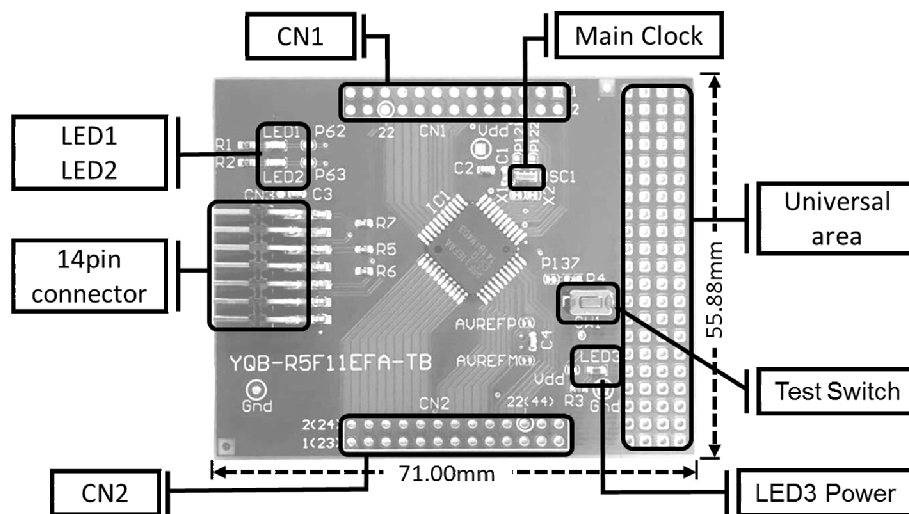
(1) RL78/G1G target board (YQB-R5F11EFA-TB) features

- Incorporates RL78/G1G (R5F11EFAAFP).
- A 20MHz resonator is mounted
- Equipped with universal area (2.54 mm pitch)
- Supports both flash memory programming and on-chip debugging (using TOOL0 pin)
- Highly extendable; peripheral board connectors are equipped with microcontroller pins

(2) Hardware specifications

CPU R5F11EFAAFP	Main clock operating frequency	20MHz, part number CSTCE20M0V51-R0
	Sub clock operating frequency	-
Embedded parts	CN1, CN2: Peripheral board connectors (2.54 mm pitch), 26-pin socket X 2 (pad only)	
	CN3: 14-pin connector (for E1 connection)	
	Power LED: Red X 1 (LED3)	
	Test LED: Yellow X 2 (LED1 connected to P62, LED2 connected to P63)	
	SW: SW1 (connected to P137)	
	Main clock (OSC1): 20 MHz resonator (connected to X1 and X2)	
		-

(3) Dimensions and parts layout



Pattern on the board: Splitting this wiring leaves open the relevant circuit ().
To reconnect the circuit, short the circuit by soldering ().
When using P66 and P67, cut off the short pad on the left side of LED. Showing of the pad on circuit diagram. open: short:

(4) Notes on use

- Renesas Electronics will not provide any support for this board, but the board can be exchanged with a new product only when it has an initial failure.

