



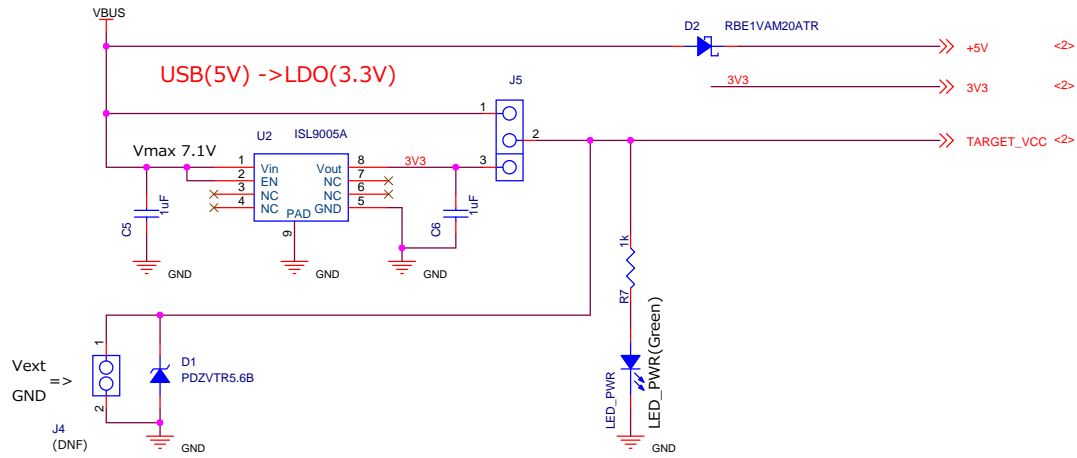
# RL78/G1M Fast Prototyping Board Schematic (ProductNo:RTK5RLG1M0C00000BJ)

PAGE	DESCRIPTION
1	Index
2	Target MCU
3	Target MCU peri,POWER
4	Emulator Circuit

Note:  
 C : Capacitor  
 D : Diode  
 R : Fixed Resistor  
 U : Integrated Circuit  
 X : Crystal, Oscillator  
 SW : Switch  
 LED : Light Emitting Diode  
 J : Connector  
 N.C. : Not connected  
 SS:short-pad short-type(Default:short)  
 SC:short-pad cut-type(Default:Open)  
 \* "DNF" marking means that component is not fitted by default



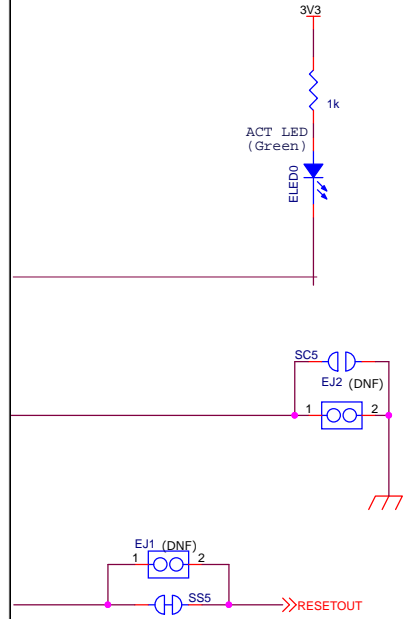
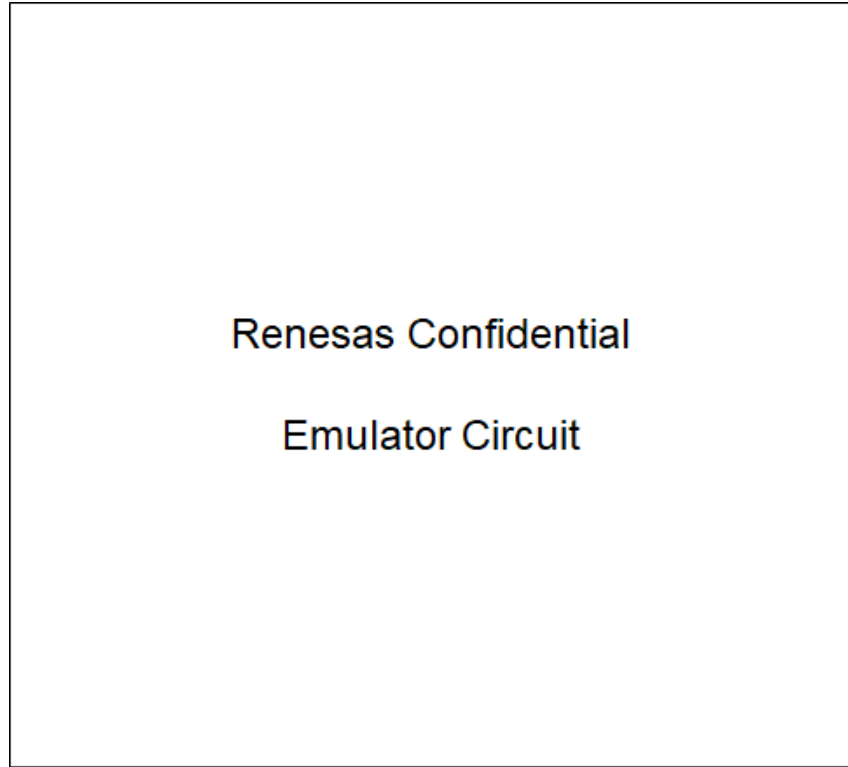
# [POWER BLOCK]



# [RESET SW]



[EML BLOCK]



	EJ1 (SS5)	EJ2 (SC5)
DBG / PRG	short	open
Target MCU operating singly	open (cut)	short (connect)
<b>prohibited</b>	open	open
	short	short