

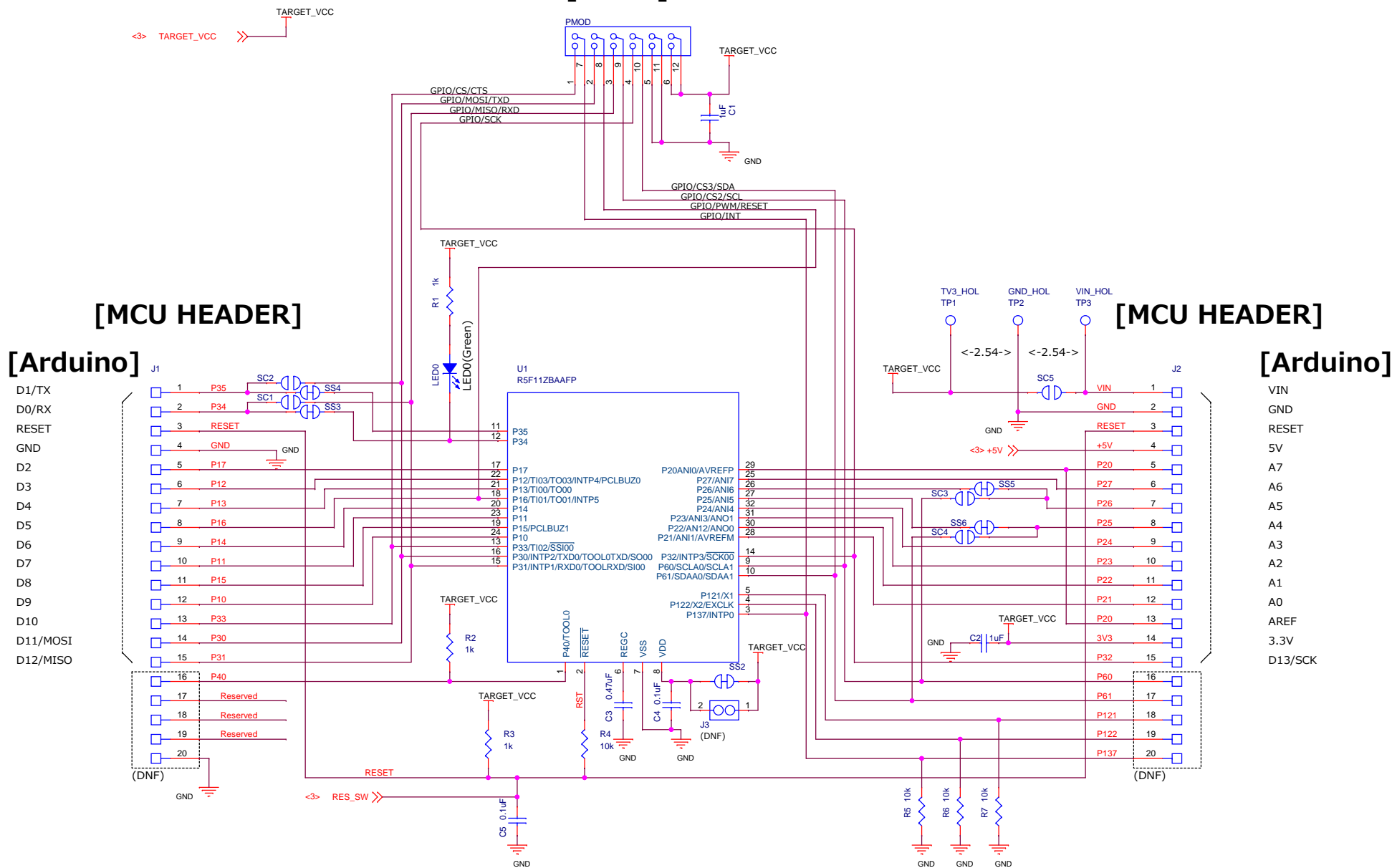


RL78/G1P Fast Prototyping Board Schematic (ProductNo:RTK5RLG1P0C00000BJ)

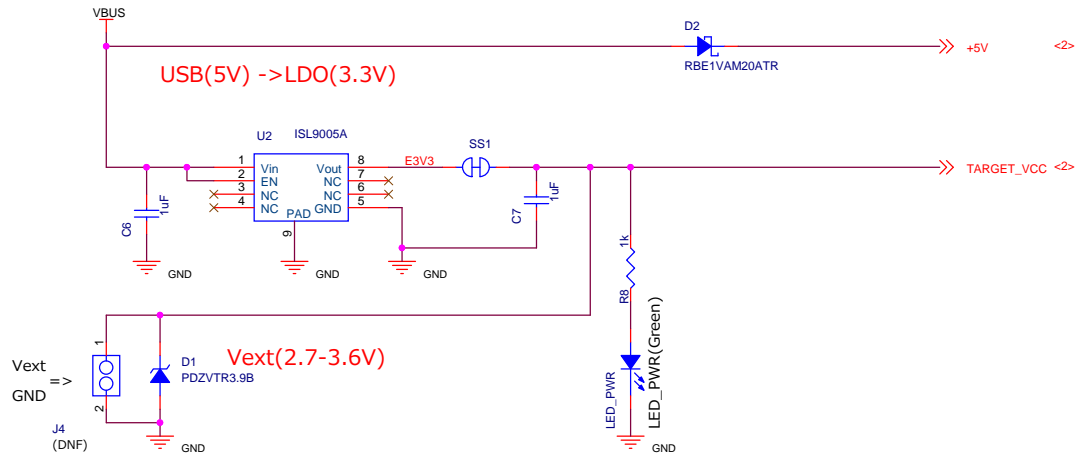
PAGE	DESCRIPTION
1	Index
2	Target MCU
3	Target MCU peri,Power
4	Emulator Circuit

Note:
 C : Capacitor
 D : Diode
 R : Fixed Resistor
 U : Integrated Circuit
 X : Crystal, Oscillator
 SW : Switch
 LED : Light Emitting Diode
 J : Connector
 N.C. : Not connected
 SS:short-pad short-type(Default:short)
 SC:short-pad cut-type(Default:Open)
 * "DNF" marking means that component is not fitted by default

[Pmod]



[POWER BLOCK]



[RESET SW]



[Emulator BLOCK]

