



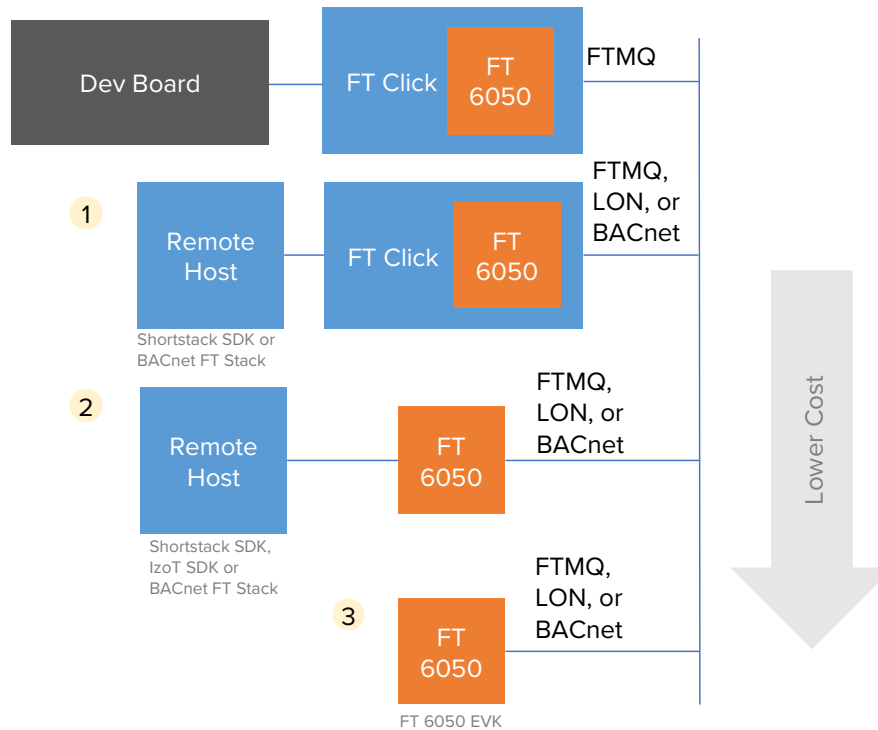
**Adesto**

## FT Click: Next Steps for Product Development

Once you have created an FTMQ application using the FT Click, you can expand your application by taking advantage of the FT 6050 chip which supports LON and BACnet protocols. LON and BACnet protocols provide networking, data and application definitions needed to create networks that scale to thousands of devices communicating with each other and with remote applications as well as facilitating interoperability with other vendor devices.

In the process, you can reduce your hardware cost by designing with the Adesto FT 6050 Smart Transceiver directly. Here are a few options available to you — all of these options can take advantage of the ease-of-use, reliability, and performance of the FT media:

1. Implement LON or BACnet applications on any host with a mikroBUS interface using FT Click hardware and ShortStack SDK for LON or BACnet FT stack for BACnet.
2. Implement FTMQ, LON, or BACnet applications on any host combined with the Adesto FT 6050 Smart Transceiver, flash memory, and network interface firmware using the small ShortStack host code included with the ShortStack SDK or the larger LON/IP stack included with the IzoT SDK Premium Edition SDK for LON or BACnet FT stack for BACnet.
3. For lowest cost, implement FTMQ, LON, or BACnet applications on the Adesto FT 6050 Smart Transceiver using Adesto's FT 6050 EVK. The LON and BACnet stacks for the FT 6050 Smart Transceiver are included with the FT 6050 EVK.



Contact [embedded-iot@adestotech.com](mailto:embedded-iot@adestotech.com) for help on your next project. Rev 02/2020

**Adesto Technologies Corporation**

3600 Peterson Way | Santa Clara, California USA 95054 | Phone: 408-400-0578 FAX: 408-400-0721  
www.adestotech.com