

外形図 Outline drawing

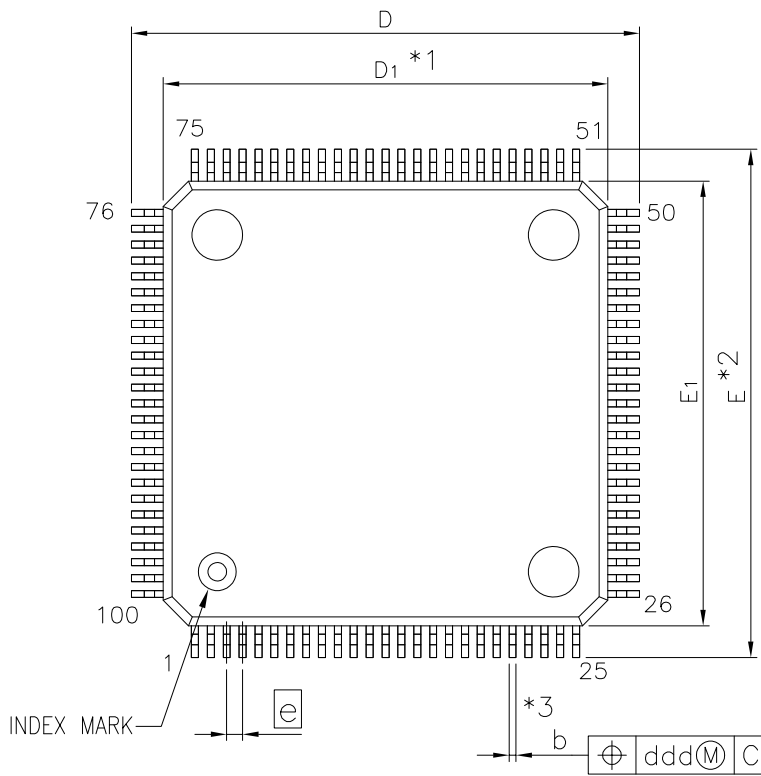
Renesasコード PLQP0100KM-A

RDK-G-001392-1

1/1

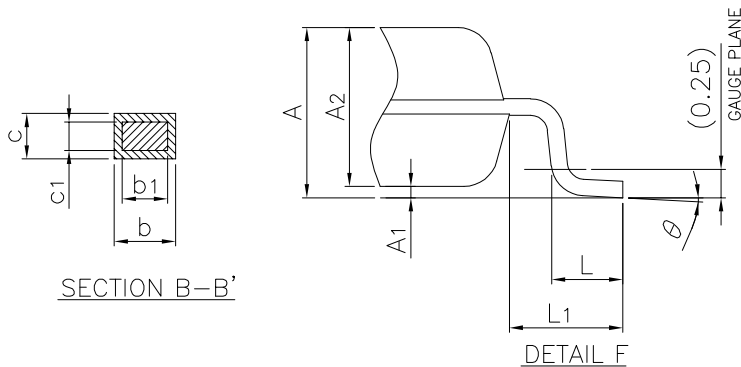
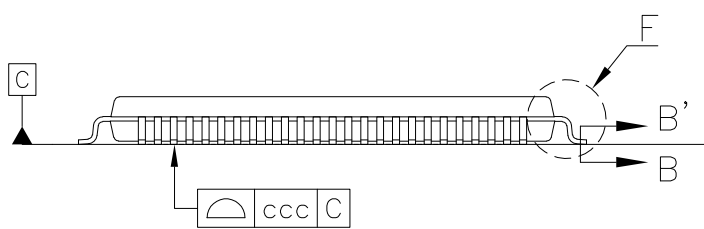
ルネサスエレクトロニクス株式会社
Renesas Electronics Corporation

JEITA Package code	RENESAS code	MASS(TYP.)[g]
P-LFQFP100-14x14-0.50	PLQP0100KM-A	0.6



NOTE)

1. DIMENSIONS "*1" AND "*2"
DO NOT INCLUDE MOLD FLASH.
2. DIMENSIONS "*3"
DO NOT INCLUDE TRIM OFFSET.



Reference Symbol	Dimension in Millimeters		
	Min.	Nom.	Max.
D ₁	13.80	14.00	14.20
E ₁	13.80	14.00	14.20
A ₂	—	1.40	—
D	15.80	16.00	16.20
E	15.80	16.00	16.20
A	—	—	1.60
A ₁	0.05	—	0.15
b	0.17	0.22	0.27
b ₁	0.17	0.20	0.23
c	0.09	—	0.20
c ₁	0.09	—	0.16
θ	0°	—	7°
e	—	0.50	—
L	0.45	0.60	0.75
L ₁	—	1.00	—
ccc	—	—	0.08
ddd	—	—	0.08