

ISL7202xSEH

CAN Transceiver SEE Packet Error Testing Report

Abstract

SEE test results of a two-node Renesas CAN Bus system. Based on those results, CRÈME96 provided an estimated system error rate in a geosynchronous orbit and a typical low earth orbit.

Contents

1. SEE 2-Node CAN Bus System Test Platform	2
1.1 Introduction	2
1.2 System Operation	3
1.3 System CAN Data Packet Message	4
2. CAN Transceiver SEE Packet Error Testing	5
2.1 CRÈME96 Results	7
2.2 Conclusion	8
3. Revision History	8

List of Figures

Figure 1. SEE Two Node CAN Bus System Block Diagram	2
Figure 2. Oscilloscope Plot of Two Data Packets	3
Figure 3. Scope Plot of the System CAN Data Packet	5
Figure 4. Error Cross Section Per packet	7

Related Literature

For a full list of related documents, visit our website:

- [ISL72026SEH](#), [ISL72027SEH](#), [ISL72028SEH](#) device pages

CONFIDENTIAL
IN REVIEW

1. SEE 2-Node CAN Bus System Test Platform

1.1 Introduction

Renesas created a 2-node CAN bus system for testing the SET performance of the ISL7202xSEH CAN transceivers when driving and receiving a 1Mbps standard CAN bus data packet message. The system implements all the standard CAN bus packet error checking protocols, (such as Cyclic Redundancy Code (CRC) Error, Formatting Bit Errors, Stuffing Bit Errors, and Acknowledge (ACK) Error).

A block diagram of the test setup is shown in [Figure 1](#). The 2-node CAN bus system consisted of a transmitting node and a receiving node that are connected together over a 10ft 120Ω cable. Each node consists of a Microchip PIC18F4550 microcontroller, a Microchip MCP2515 CAN controller, and an ISL72026SEH CAN transceiver.

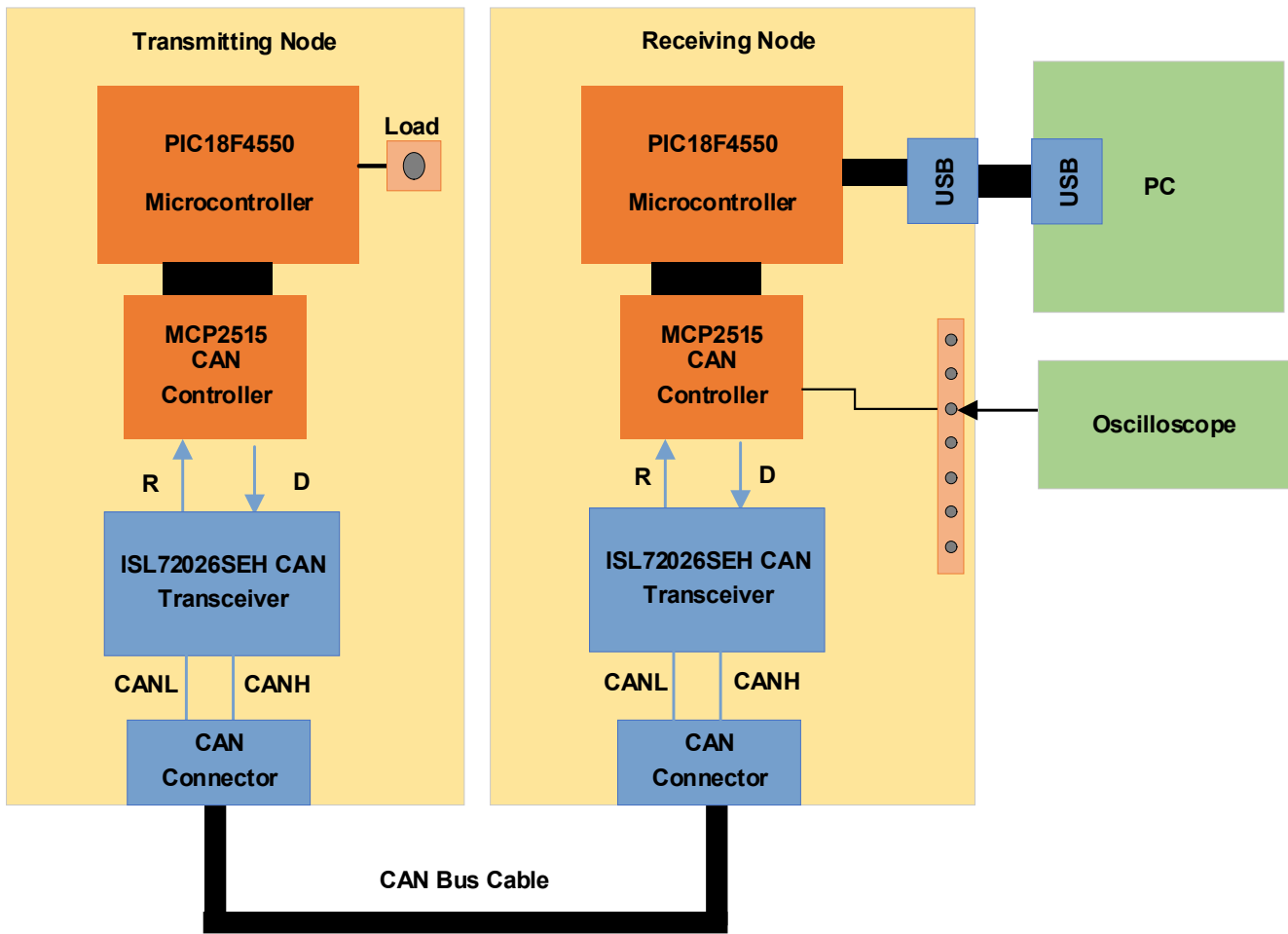


Figure 1. SEE Two Node CAN Bus System Block Diagram

1.2 System Operation

1.2.1 Transmitting Node

The transmitting node CAN controller is programmed with a specific standard CAN data packet message. A timer in the PIC microcontroller is programmed to have the CAN controller output a CAN data packet every 200 μ s. Every CAN data packet message sent out on the bus is identical and is transmitted at a data rate of 1Mbps.

See [“System CAN Data Packet Message” on page 4](#) for the specific details of the CAN message used for this SEE testing.

The transmission of the initial data packet is started when the Load pin to the PIC microcontroller is driven high. As long as the Load pin is held high, a data packet is sent out every 200 μ s. Transmission is halted when the Load pin is driven Low.

[Figure 2 on page 3](#) shows a scope shot of two data packets.



Figure 2. Oscilloscope Plot of Two Data Packets

1.2.2 Receiving Node

The receiving node is programmed to receive and process the CAN data packet message and to send the packet contents over a USB connection to a GUI running on a PC. In addition, the receiving node CAN controller is programmed to set an interrupt whenever an erroneous packet is identified by the controller. The CAN controller is programmed to pulse its INT pin low whenever a packet with an error is detected. The INT pin is monitored by an oscilloscope to count the number of packets with errors while the GUI counts the total number of packets sent out on the bus.

1.2.3 SET Testing Procedure

The transmitting node CAN transceiver and the receiving node CAN transceiver of the 2-node CAN bus link are irradiated separately. A transceiver is exposed to the ion beam while the system is running (Load pin = High).

1.2.3.1 CAN Transceiver Testing at the Transmitting Node

Testing is done at various LET levels while irradiating the transmitting node transceiver. For each LET level applied, the total number of packets are counted along with the number of packets that were received with errors. The counts are done over the time that the transceiver is exposed to the ion beam.

1.2.3.2 CAN Transceiver Testing at the Receiving Node

Testing is done at various LET levels while irradiating the receiving node transceiver. For each LET level applied the total number of packets are counted along with the number of packets that were received with errors. The counts are done over the time that the transceiver is exposed to the ion beam.

1.3 System CAN Data Packet Message

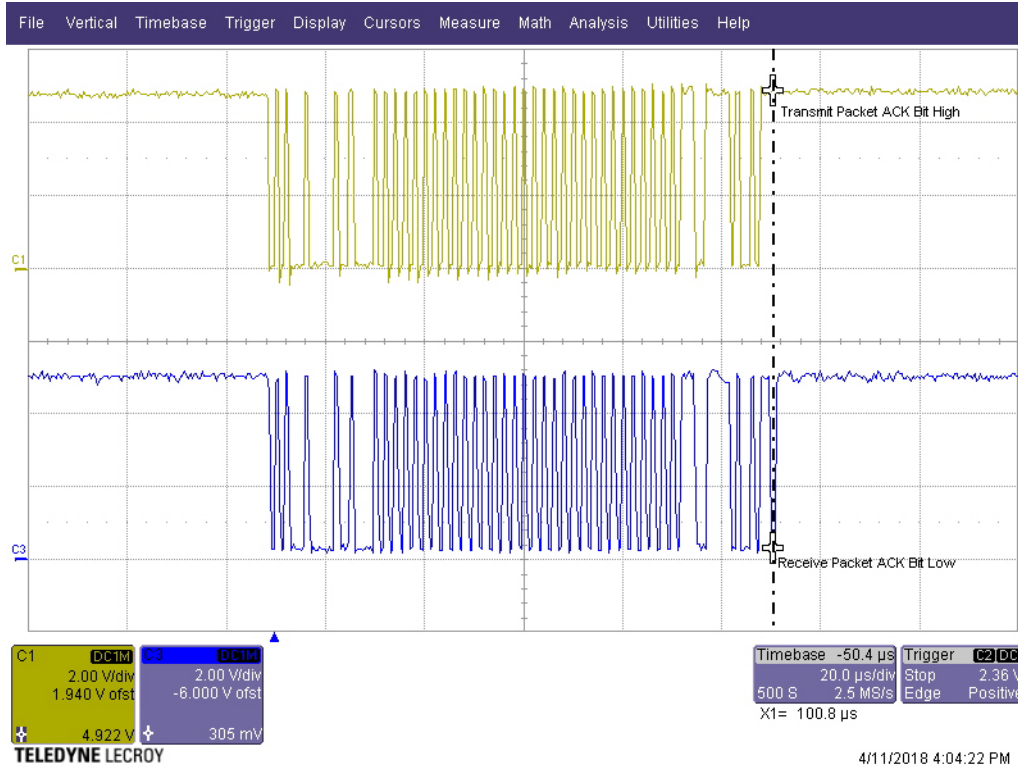
The system was programmed to transmit a standard CAN data packet message at a data rate of 1Mbps. Each data packet message transmitted onto the bus are identical. [Table 1](#) gives the details of the CAN data packet used for the testing. The data packet consists of 117 bits (standard CAN frame format of 115 bits plus two stuffing bits). At a data rate of 1Mbps, it takes 117µs to transmit a single packet. [Figure 3 on page 5](#) shows the scope plots of the system CAN data packet at the transmitting node and at the receiving node.

Table 1. CAN Data Packet Bit Values and Packet Frame Definitions

Packet Bits 0 -19																					
SOF	11 bit Identifier											RTR	Stuff Bit	IDE	RO	DLC					
0	1	0	1	0	0	0	1	0	0	0	0	0	0	1	0	0	1	0	0	0	
Packet Bits 20 - 39																					
Data Byte 1								Data Byte 2								Data Byte 3					
0	1	0	1	0	1	0	1	0	1	0	1	0	1	0	1	0	1	0	1	0	
Packet Bits 40 - 59																					
Data Byte 3				Data Byte 4								Data Byte 5									
0	1	0	1	0	1	0	1	0	1	0	1	0	1	0	1	0	1	0	1	0	
Packet Bits 60 - 79																					
Data Byte 6								Data Byte 7								Data Byte 8					
0	1	0	1	0	1	0	1	0	1	0	1	0	1	0	1	0	1	0	1	0	
Packet Bits 80 - 99																					
Data Byte 8				CRC								Stuff Bit	CRC								
0	1	0	1	1	1	0	0	1	1	1	1	1	1	0	1	0	0	1	0	1	
Packet Bits 100 - 117																					
CRC DEL	ACK	ACK DEL	EOF								IFS										
1	Note 1	1	1	1	1	1	1	1	1	1	1	1	1	1	1	1	1				

Note:

- The receiving node overwrites the transmitting node recessive bit (1) with a dominant bit (0) to indicate to the transmitting node that an error-free message has been received.



Note: Yellow Trace: Packet from Transmitting Node, Blue Trace: Packet at the Receiving Node

Figure 3. Scope Plot of the System CAN Data Packet

2. CAN Transceiver SEE Packet Error Testing

The transmitter and receiver of the 2-node CAN bus link were irradiated separately while the packet errors were counted by oscilloscope captures set to trigger on packet error events as reported by the receiving CAN controller. The CAN transceivers used were the ISL72026SEH with the RS pin grounded for high speed slewing (typical 55ns rise time and 25ns fall time). A cable of length 10ft was used to connect the two nodes, and the transceivers were at approximately 25°C. The count of total packets transmitted during an irradiation was also captured. Over all the irradiations, the calculated average packet rate was 5016 packets per second (between 4765 and 5212), which resulted in approximately one million packets per irradiation. Each irradiation was done with normal incidence to a fluence of 1×10^7 ion/cm² at a flux of approximately 5×10^4 ion/(s·cm²). The summary of the tests from the irradiating the transmitter of the CAN transceiver pair while sending a continuous stream of packets appears in [Table 2](#). The summary for irradiating the receiver of the CAN transceiver pair while sending a continuous stream of packets is presented in [Table 3 on page 6](#).

Table 2. Packet Error Results from Irradiating the Transmitter

Irradiated DUT	Species and LET (MeV·cm ² /mg)	VCC (V)	Packet Errors	Ion Beam Time (s)	Mega Packets	Errors per Mega Packet	Cross Section (cm ²)
DUT1	Au 86	3	6	241	1.23	4.87	6E-07
		4.5	1	277	1.40	0.71	1E-07
DUT3		3	4	204	1.03	3.90	4E-07
		4.5	0	231	1.15	0.00	0
DUT5		3	5	213	1.07	4.68	5E-07
		4.5	0	202	1.01	0.00	0
DUT7		3	6	220	1.10	5.45	6E-07
		4.5	0	226	1.12	0.00	0

Table 2. Packet Error Results from Irradiating the Transmitter (Continued)

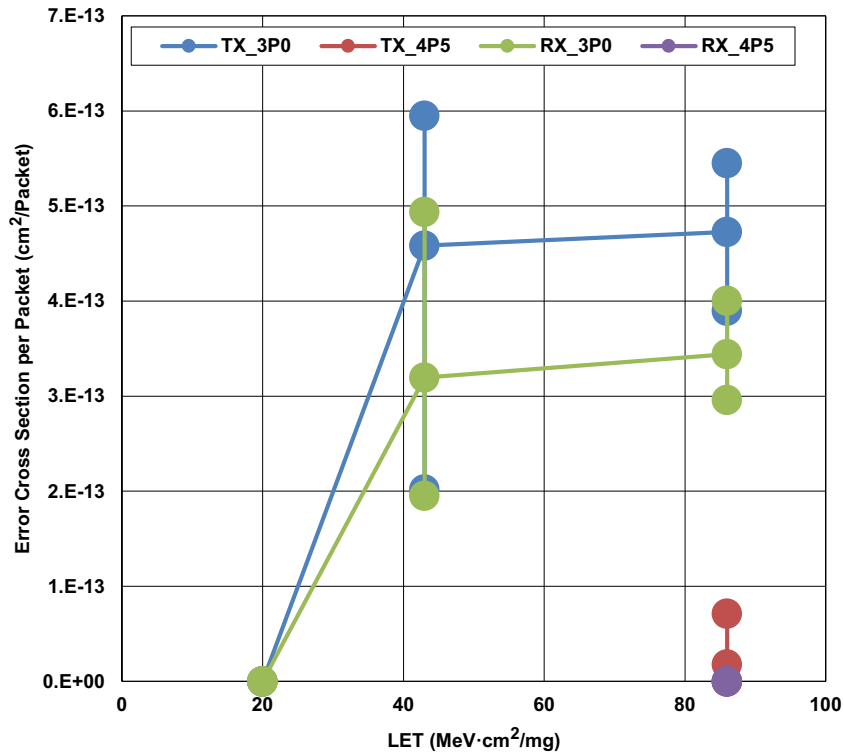
Irradiated DUT	Species and LET (MeV·cm ² /mg)	VCC (V)	Packet Errors	Ion Beam Time (s)	Mega Packets	Errors per Mega Packet	Cross Section (cm ⁻²)
DUT9	Ag 43	3	6	200	1.01	5.95	6E-07
DUT11			2	198	0.99	2.02	2E-07
DUT13			6	211	1.07	5.61	6E-07
DUT15			5	210	1.05	4.77	5E-07
DUT17	Cu 20		0	185	0.96	0.00	0
DUT19			0	206	1.02	0.00	0
DUT21			0	197	1.00	0.00	0

Note: Each line represents a fluence of 1×10^7 ion/cm² of the indicated ion species.

Table 3. Packet Error Results from Irradiating the Receiver

Irradiated DUT	Species & LET (MeV·cm ² /mg)	VCC (V)	Packet Errors	Ion Beam Time (s)	Mega Packets	Errors per Mega Packet	Error Cross Section (cm ⁻²)	
DUT2	Au 86	3	4	239	1.20	3.34	4E-07	
		4.5	0	240	1.20	0.00	0	
DUT4		3	4	232	1.16	3.45	4E-07	
		4.5	0	189	0.94	0.00	0	
DUT6		3	4	199	1.00	4.00	4E-07	
		4.5	0	201	1.01	0.00	0	
DUT8		3	3	202	1.01	2.96	3E-07	
		4.5	0	193	0.97	0.00	0	
DUT10		Ag 43	3	5	200	1.01	4.94	5E-07
DUT12				2	203	1.03	1.95	2E-07
DUT14	4			205	1.02	3.92	4E-07	
DUT16	2			202	1.01	1.98	2E-07	
DUT18	Cu 20		0	199	1.02	0.00	0	
DUT20			0	213	1.02	0.00	0	
DUT22			0	203	1.00	0.00	0	

Note: Each line represents a fluence of 1×10^7 ion/cm² of the indicated ion species.



Note: The means at each LET are connected while the minimum and maximum at each LET are also plotted vertically.

Figure 4. Error Cross Section Per packet

The error data can be converted to a chart. Figure 4 represents the error cross section per packet, which is found by dividing the counted errors by the fluence ($1 \times 10^7 \text{ ion/cm}^2$) and dividing by the number of packets transmitted during the fluence. Clearly the error cross section here depends upon the number of packets transmitted. The transmitter appears more prone to inducing a packet error than the receiver. Worst case numbers are $6 \times 10^{-13} \text{ cm}^2/\text{packet}$ for the transmitter and $5 \times 10^{-13} \text{ cm}^2/\text{packet}$ for the receiver with means at $4.7 \times 10^{-13} \text{ cm}^2/\text{packet}$ and $3.4 \times 10^{-13} \text{ cm}^2/\text{packet}$. Of course in a complete bus system, all nodes are subject to irradiation at the same time so that the cross sections per packet would have to be summed to give a complete bus error cross section per packet. For example, a worst case for a ten node bus would be approximately $5.1 \times 10^{-12} \text{ cm}^2/\text{packet}$, the summation of nine receivers and one transmitter.

2.1 CRÈME96 Results

Using the SEE test results and orbital parameters in the SEE Simulation program CRÈME96, it was possible to estimate the errors/device/day and errors/device/year for a 2-node system in a geosynchronous orbit as well as a typical low earth orbit. Note: Testing with Au at $86 \text{ MeV} \cdot \text{cm}^2/\text{mg}$ and $V_{CC} = 4.5 \text{ V}$ did not yield any packet errors on three of the four parts tested and only one error on the fourth part, so testing with Ag ($43 \text{ MeV} \cdot \text{cm}^2/\text{mg}$) and Cu ($20 \text{ MeV} \cdot \text{cm}^2/\text{mg}$) was only done at $V_{CC} = 3 \text{ V}$. Accordingly, the 3V data was chosen to analyze.

CRÈME96 LET spectrum files were generated for a satellite in a geosynchronous orbit and a low earth orbit of 1100km at a 45° inclination, using all species of heavy ion particles (atomic numbers 2 through 92) with a minimum energy value of 0.1 MeV/nuc and solar minimum conditions (worst case for longterm cosmic rays). 100 mils of Aluminum shielding was assumed for both cases.

Based on the 3V SET test results, Weibull parameters were estimated. These parameters, along with the appropriate LET Spectrum file, were used to obtain the heavy ion error rates per mega-packet for the transmitter and receiver operating at 1Mbps, as shown in Table 4 on page 8, for the 2-node CAN system. Of course in a complete multi-node bus system (such as nine receivers and one transmitter), all nodes are subject to irradiation at the same time, so the error rates per packet would have to be summed accordingly to give a complete bus error cross section per packet.

Table 4. 2-Node CAN System Error Rates per Mega-packet for LEO and GEO Missions

	Low Earth Orbit		Geosynchronous Orbit	
	Transmitter	Receiver	Transmitter	Receiver
Errors/device/day	1.30E-09	1.06E-09	1.64E-07	1.36E-07
Errors/device/year	4.73E-07	3.86E-07	5.98E-05	4.96E-05

Using the error rates from [Table 4](#), we can estimate that a GEO mission with a system consisting of 25 nodes would experience a mega-packet transmit error to heavy ion exposure, on the average, no more than once every 769 years. Also, on average, a LEO mission a system with 25 nodes would experience a mega-packet transmit error to heavy ion exposure no more than once every 98,907 years.

2.2 Conclusion

A CAN transmitter and receiver comprising a 2-node CAN bus link were irradiated with heavy ions, and saturated cross-sections were determined. These cross-sections were much lower than those previously seen from SEE testing of individual parts, demonstrating the robustness of the system to single event transients. Based on those values, the error rates/mega-packet for a transmitter and a receiver in a LEO orbit and a GEO orbit were calculated using CRÈME96. While the actual system error rate depends on the number of nodes, it can be seen that the ISL7202xSEH CAN transceivers, built on SOI, provide excellent system SEE immunity.

3. Revision History

Rev.	Date	Description
1.00	Aug.7.19	Initial release

Notice

1. Descriptions of circuits, software and other related information in this document are provided only to illustrate the operation of semiconductor products and application examples. You are fully responsible for the incorporation or any other use of the circuits, software, and information in the design of your product or system. Renesas Electronics disclaims any and all liability for any losses and damages incurred by you or third parties arising from the use of these circuits, software, or information.
2. Renesas Electronics hereby expressly disclaims any warranties against and liability for infringement or any other claims involving patents, copyrights, or other intellectual property rights of third parties, by or arising from the use of Renesas Electronics products or technical information described in this document, including but not limited to, the product data, drawings, charts, programs, algorithms, and application examples.
3. No license, express, implied or otherwise, is granted hereby under any patents, copyrights or other intellectual property rights of Renesas Electronics or others.
4. You shall not alter, modify, copy, or reverse engineer any Renesas Electronics product, whether in whole or in part. Renesas Electronics disclaims any and all liability for any losses or damages incurred by you or third parties arising from such alteration, modification, copying or reverse engineering.
5. Renesas Electronics products are classified according to the following two quality grades: "Standard" and "High Quality". The intended applications for each Renesas Electronics product depends on the product's quality grade, as indicated below.
 - "Standard": Computers; office equipment; communications equipment; test and measurement equipment; audio and visual equipment; home electronic appliances; machine tools; personal electronic equipment; industrial robots; etc.
 - "High Quality": Transportation equipment (automobiles, trains, ships, etc.); traffic control (traffic lights); large-scale communication equipment; key financial terminal systems; safety control equipment; etc.Unless expressly designated as a high reliability product or a product for harsh environments in a Renesas Electronics data sheet or other Renesas Electronics document, Renesas Electronics products are not intended or authorized for use in products or systems that may pose a direct threat to human life or bodily injury (artificial life support devices or systems; surgical implantations; etc.), or may cause serious property damage (space system; undersea repeaters; nuclear power control systems; aircraft control systems; key plant systems; military equipment; etc.). Renesas Electronics disclaims any and all liability for any damages or losses incurred by you or any third parties arising from the use of any Renesas Electronics product that is inconsistent with any Renesas Electronics data sheet, user's manual or other Renesas Electronics document.
6. When using Renesas Electronics products, refer to the latest product information (data sheets, user's manuals, application notes, "General Notes for Handling and Using Semiconductor Devices" in the reliability handbook, etc.), and ensure that usage conditions are within the ranges specified by Renesas Electronics with respect to maximum ratings, operating power supply voltage range, heat dissipation characteristics, installation, etc. Renesas Electronics disclaims any and all liability for any malfunctions, failure or accident arising out of the use of Renesas Electronics products outside of such specified ranges.
7. Although Renesas Electronics endeavors to improve the quality and reliability of Renesas Electronics products, semiconductor products have specific characteristics, such as the occurrence of failure at a certain rate and malfunctions under certain use conditions. Unless designated as a high reliability product or a product for harsh environments in a Renesas Electronics data sheet or other Renesas Electronics document, Renesas Electronics products are not subject to radiation resistance design. You are responsible for implementing safety measures to guard against the possibility of bodily injury, injury or damage caused by fire, and/or danger to the public in the event of a failure or malfunction of Renesas Electronics products, such as safety design for hardware and software, including but not limited to redundancy, fire control and malfunction prevention, appropriate treatment for aging degradation or any other appropriate measures. Because the evaluation of microcomputer software alone is very difficult and impractical, you are responsible for evaluating the safety of the final products or systems manufactured by you.
8. Please contact a Renesas Electronics sales office for details as to environmental matters such as the environmental compatibility of each Renesas Electronics product. You are responsible for carefully and sufficiently investigating applicable laws and regulations that regulate the inclusion or use of controlled substances, including without limitation, the EU RoHS Directive, and using Renesas Electronics products in compliance with all these applicable laws and regulations. Renesas Electronics disclaims any and all liability for damages or losses occurring as a result of your noncompliance with applicable laws and regulations.
9. Renesas Electronics products and technologies shall not be used for or incorporated into any products or systems whose manufacture, use, or sale is prohibited under any applicable domestic or foreign laws or regulations. You shall comply with any applicable export control laws and regulations promulgated and administered by the governments of any countries asserting jurisdiction over the parties or transactions.
10. It is the responsibility of the buyer or distributor of Renesas Electronics products, or any other party who distributes, disposes of, or otherwise sells or transfers the product to a third party, to notify such third party in advance of the contents and conditions set forth in this document.
11. This document shall not be reprinted, reproduced or duplicated in any form, in whole or in part, without prior written consent of Renesas Electronics.
12. Please contact a Renesas Electronics sales office if you have any questions regarding the information contained in this document or Renesas Electronics products.

(Note1) "Renesas Electronics" as used in this document means Renesas Electronics Corporation and also includes its directly or indirectly controlled subsidiaries.

(Note2) "Renesas Electronics product(s)" means any product developed or manufactured by or for Renesas Electronics.

(Rev.4.0-1 November 2017)

Corporate Headquarters

TOYOSU FORESIA, 3-2-24 Toyosu,
Koto-ku, Tokyo 135-0061, Japan
www.renesas.com

Contact Information

For further information on a product, technology, the most up-to-date version of a document, or your nearest sales office, please visit:
www.renesas.com/contact/

Trademarks

Renesas and the Renesas logo are trademarks of Renesas Electronics Corporation. All trademarks and registered trademarks are the property of their respective owners.