

A

B

C

D

E

F

1

1

RX66T Digital Power Conversion (Uninterruptible Power System (UPS)) Schematic

- 01 : Block Diagram
- 02 : BUS Board circuit (P13178-C0-001)
- 03 : ACDC Board circuit (P13178-C0-002)
- 04 : DCDC Board circuit (P13178-C0-003)
- 05 : DCAC Board circuit (P13178-C0-004)
- 06 : History

2

2

3

3

4

4

Title			RX66T Digital Power Conversion(UPS)		
Size	Number	Rev			
	R01TU0429EJ	1.0			
Checked by			Approved by		
Date			Drawn by		
Filename			Sheet 1 of 7		

A

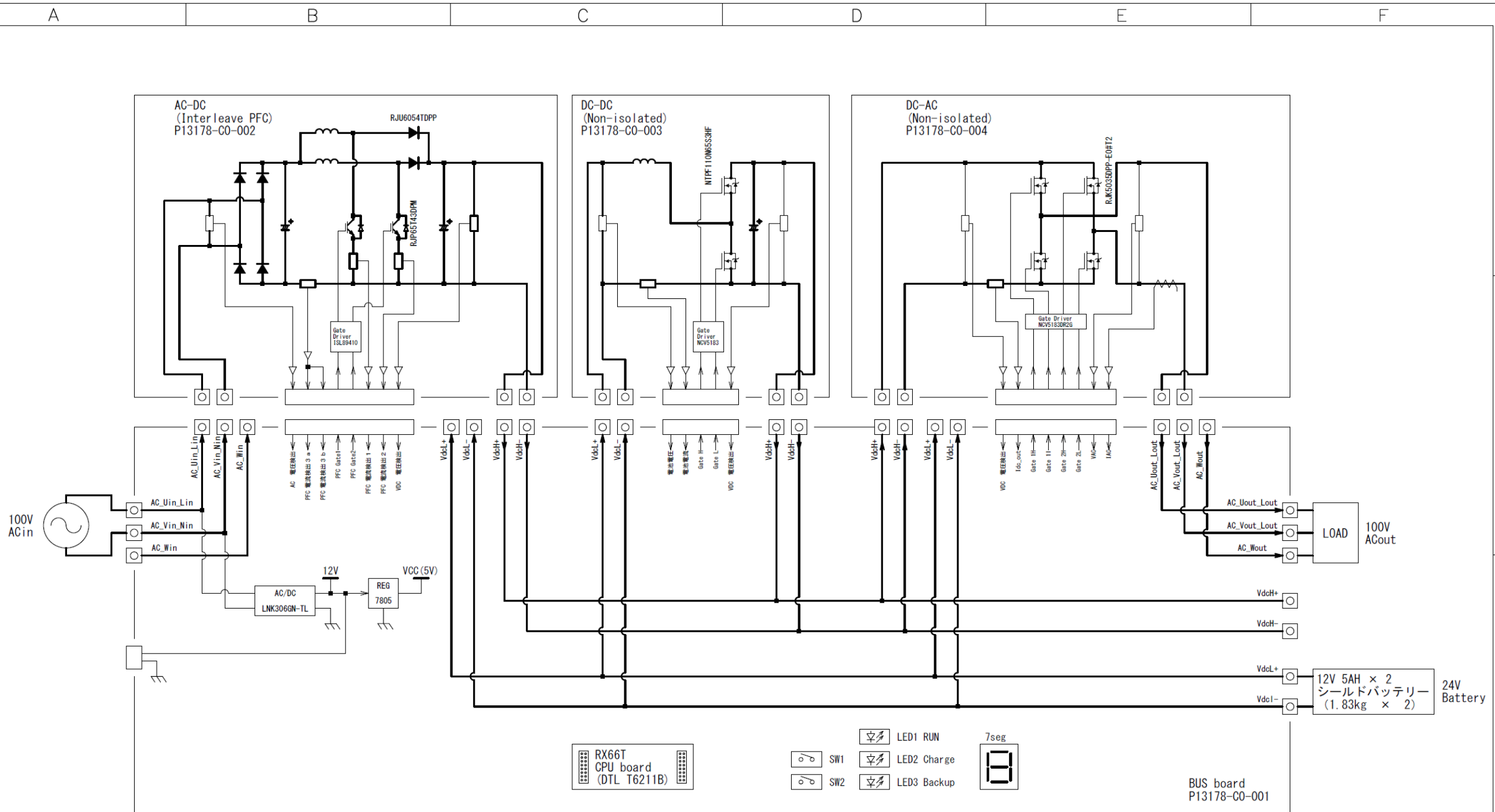
B

C

D

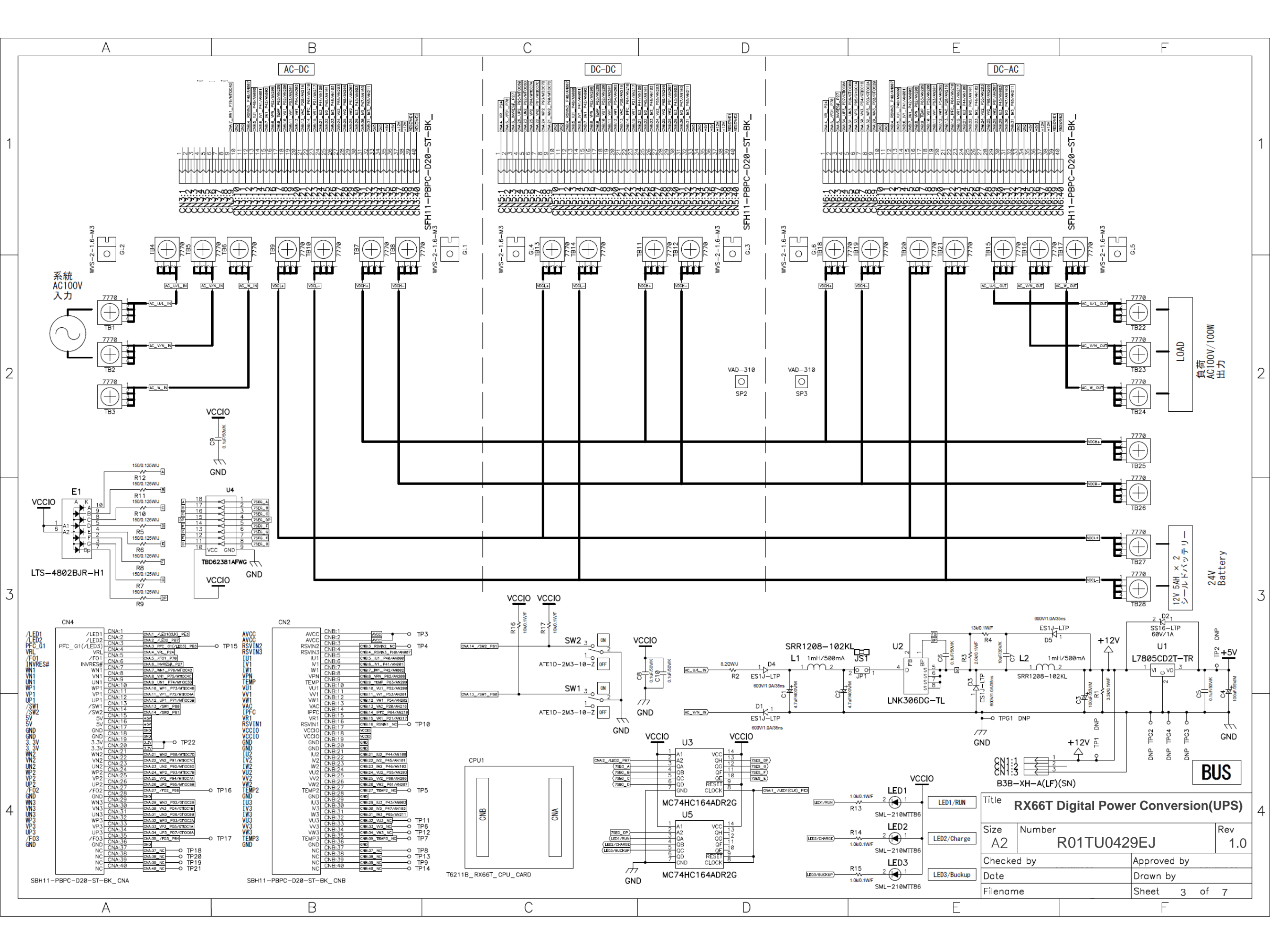
E

F



Block Diagram

Title			RX66T Digital Power Conversion(UPS)		
Size	Number	Rev			
A2	R01TU0429EJ	1.0			
Checked by		Approved by			
Date		Drawn by			
Filename		Sheet 2 of 7			



AC-DC

DC-DC

DC-AC

SFH11-PBPC-D20-ST-BK_

SFH11-PBPC-D20-ST-BK_

SFH11-PBPC-D20-ST-BK_

系統 AC100V 入力

負荷 AC100V/100W 出力

12V 5Ah x 2 シールドバッテリー

24V Battery

CN4

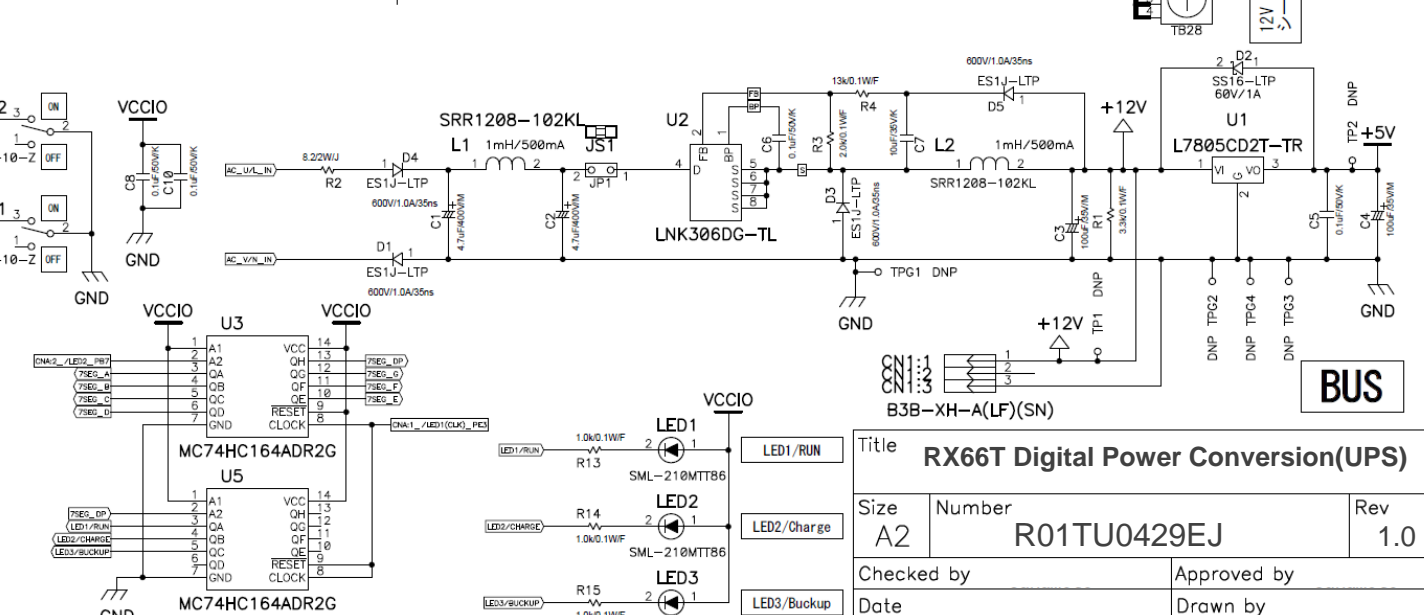
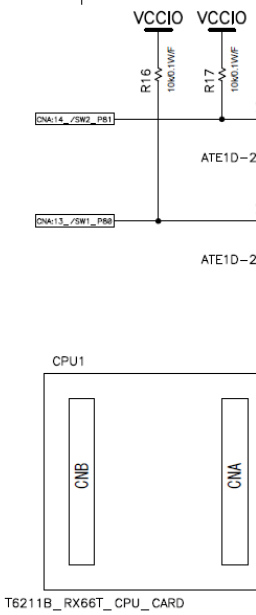
/LED1	/LED1	CNA:1	CNA1_LED1(CLK_PES)	AVCC	CNB:1	AVCC	TP3
/LED2	/LED2	CNA:2	CNA2_LED2_PBT	AVCC	CNB:2	AVCC	TP4
PFC_G1	(LED3)	CNA:3	CNA3_PFC_G1(LED3_PBT)	RSVIN3	CNB:3	CNB3_RSVIN3_NC	TP4
VRL	VRL	CNA:4	CNA4_VRL_P24	RSVIN3	CNB:4	CNB4_RSVIN3_PBR/ANR07	
/F01	/F01	CNA:5	CNA5_F01_P24	IU1	CNB:5	CNB5_IU1_P46/ANR08	
INVRES#	INVRES#	CNA:6	CNA6_INVRES_P22	IU1	CNB:6	CNB6_IU1_P47/ANR08	
WN1	WN1	CNA:7	CNA7_WN1_P78/MTDC02	IM1	CNB:7	CNB7_IM1_P42/ANR02	
UN1	UN1	CNA:8	CNA8_UN1_P78/MTDC02	VPN	CNB:8	CNB8_VPN_P62/ANR08	
WP1	WP1	CNA:9	CNA9_WP1_P78/MTDC02	VPN	CNB:9	CNB9_VPN_P62/ANR08	
UP1	UP1	CNA:10	CNA10_UP1_P78/MTDC02	TEMP	CNB:10	CNB10_TEMP_P63/ANR08	
/SW1	/SW1	CNA:11	CNA11_SW1_P78/MTDC04	VU1	CNB:11	CNB11_VU1_P62/ANR08	
/SW2	/SW2	CNA:12	CNA12_SW2_P78/MTDC08	VV1	CNB:12	CNB12_VV1_P54/ANR02	
5V	5V	CNA:13	CNA13_5V_P88	VAC	CNB:13	CNB13_VAC_P58/ANR10	
GND	GND	CNA:14	CNA14_GND_P81	IPFC	CNB:14	CNB14_IPFC_P54/ANR10	
GND	GND	CNA:15	CNA15_GND_P81	RSVIN1	CNB:15	CNB15_RSVIN1_P47/ANR13	TP10
GND	GND	CNA:16	CNA16_GND_P81	VCCIO	CNB:16	VCCIO	TP10
GND	GND	CNA:17	CNA17_GND_P81	VCCIO	CNB:17	VCCIO	TP10
GND	GND	CNA:18	CNA18_GND_P81	GND	CNB:18	GND	
GND	GND	CNA:19	CNA19_GND_P81	GND	CNB:19	GND	
3.3V	3.3V	CNA:20	CNA20_3.3V_P81	GND	CNB:20	GND	
3.3V	3.3V	CNA:21	CNA21_3.3V_P81	GND	CNB:21	GND	
WN2	WN2	CNA:22	CNA22_WN2_P58/MTDC07	IU2	CNB:22	CNB22_IU2_P44/ANR08	
UN2	UN2	CNA:23	CNA23_UN2_P58/MTDC07	IU2	CNB:23	CNB23_IU2_P44/ANR08	
WP2	WP2	CNA:24	CNA24_WP2_P58/MTDC06	IW2	CNB:24	CNB24_IW2_P46/ANR02	
UP2	UP2	CNA:25	CNA25_UP2_P58/MTDC06	IW2	CNB:25	CNB25_IW2_P46/ANR02	
VP2	VP2	CNA:26	CNA26_VP2_P58/MTDC04	VU2	CNB:26	CNB26_VU2_P58/ANR08	
VP2	VP2	CNA:27	CNA27_VP2_P58/MTDC08	VU2	CNB:27	CNB27_VU2_P58/ANR08	
GND	GND	CNA:28	CNA28_GND_P81	VP2	CNB:28	CNB28_VP2_P58/ANR08	
GND	GND	CNA:29	CNA29_GND_P81	VP2	CNB:29	CNB29_VP2_P58/ANR08	
WN3	WN3	CNA:30	CNA30_WN3_P52/MTDC08	IU3	CNB:30	CNB30_IU3_P43/ANR03	
UN3	UN3	CNA:31	CNA31_UN3_P52/MTDC08	IU3	CNB:31	CNB31_UN3_P43/ANR03	
WP3	WP3	CNA:32	CNA32_WP3_P52/MTDC02A	IW3	CNB:32	CNB32_IW3_NC	TP11
UP3	UP3	CNA:33	CNA33_UP3_P52/MTDC02A	IW3	CNB:33	CNB33_IW3_NC	TP12
VP3	VP3	CNA:34	CNA34_VP3_P52/MTDC04	VU3	CNB:34	CNB34_VU3_NC	TP13
VP3	VP3	CNA:35	CNA35_VP3_P52/MTDC08A	VU3	CNB:35	CNB35_VU3_NC	TP12
/F03	/F03	CNA:36	CNA36_F03_P24	TEMP3	CNB:36	CNB36_TEMP3_NC	TP7
GND	GND	CNA:37	CNA37_GND_P81	GND	CNB:37	CNB37_GND	TP8
NC	NC	CNA:38	CNA38_NC	GND	CNB:38	CNB38_NC	TP13
NC	NC	CNA:39	CNA39_NC	GND	CNB:39	CNB39_NC	TP9
NC	NC	CNA:40	CNA40_NC	GND	CNB:40	CNB40_NC	TP14

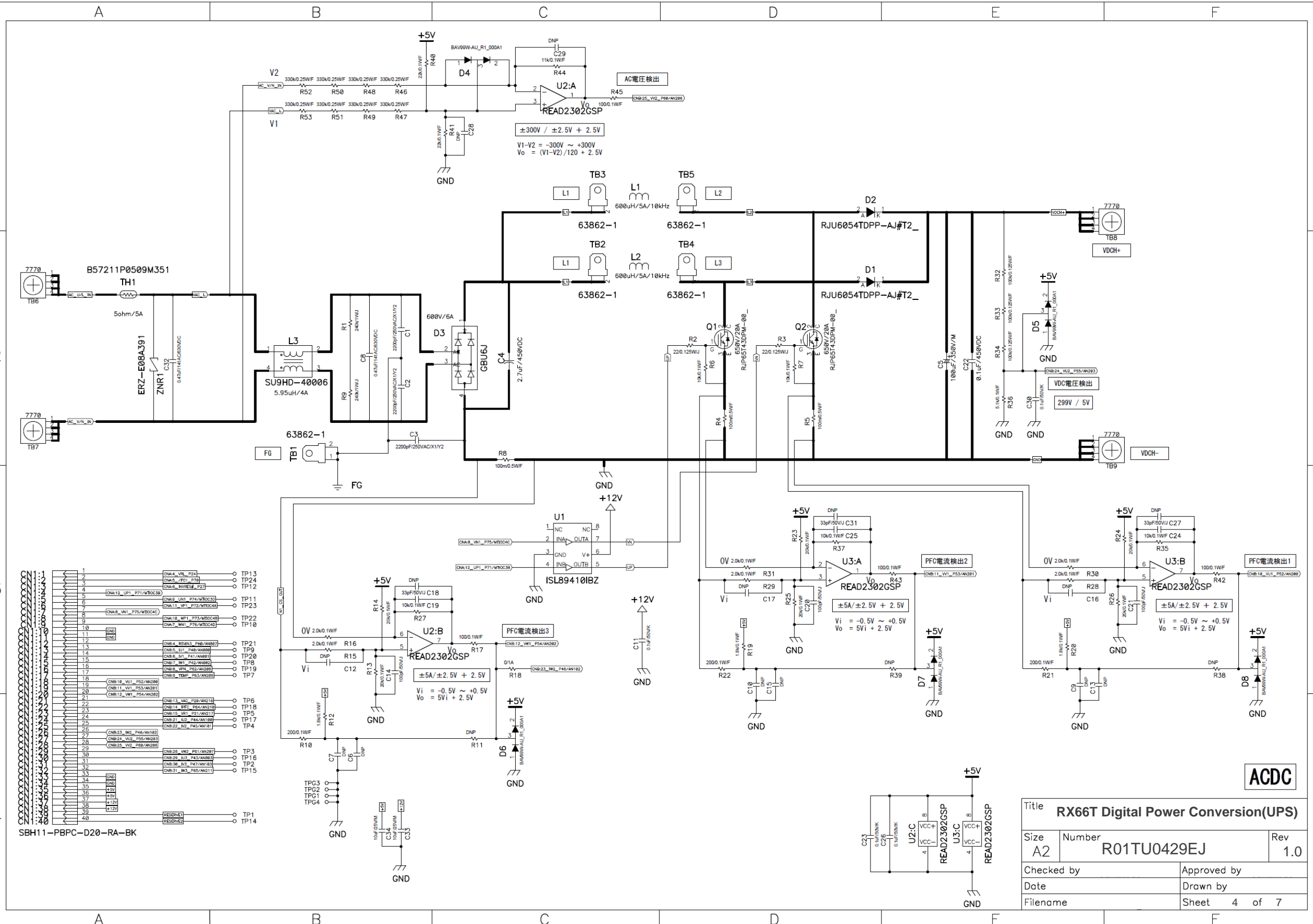
SBH11-PBPC-D20-ST-BK_CNA

CN2

AVCC	CNB:1	AVCC	TP3
AVCC	CNB:2	AVCC	TP4
RSVIN3	CNB:3	CNB3_RSVIN3_NC	TP4
RSVIN3	CNB:4	CNB4_RSVIN3_PBR/ANR07	
IU1	CNB:5	CNB5_IU1_P46/ANR08	
IU1	CNB:6	CNB6_IU1_P47/ANR08	
IM1	CNB:7	CNB7_IM1_P42/ANR02	
VPN	CNB:8	CNB8_VPN_P62/ANR08	
VPN	CNB:9	CNB9_VPN_P62/ANR08	
TEMP	CNB:10	CNB10_TEMP_P63/ANR08	
VU1	CNB:11	CNB11_VU1_P62/ANR08	
VV1	CNB:12	CNB12_VV1_P54/ANR02	
VV1	CNB:13	CNB13_VV1_P54/ANR02	
VAC	CNB:14	CNB14_VAC_P58/ANR10	
IPFC	CNB:15	CNB15_IPFC_P54/ANR10	
RSVIN1	CNB:16	CNB16_RSVIN1_P47/ANR13	TP10
VCCIO	CNB:17	VCCIO	TP10
VCCIO	CNB:18	VCCIO	TP10
GND	CNB:19	GND	
GND	CNB:20	GND	
IU2	CNB:21	CNB21_IU2_P44/ANR08	
IU2	CNB:22	CNB22_IU2_P44/ANR08	
IW2	CNB:23	CNB23_IW2_P46/ANR02	
IW2	CNB:24	CNB24_IW2_P46/ANR02	
VU2	CNB:25	CNB25_VU2_P58/ANR08	
VU2	CNB:26	CNB26_VU2_P58/ANR08	
VP2	CNB:27	CNB27_VP2_P58/ANR08	TP5
GND	CNB:28	GND	
GND	CNB:29	GND	
IU3	CNB:30	CNB30_IU3_P43/ANR03	
IU3	CNB:31	CNB31_IU3_P43/ANR03	
IW3	CNB:32	CNB32_IW3_NC	TP11
VU3	CNB:33	CNB33_VU3_NC	TP12
VU3	CNB:34	CNB34_VU3_NC	TP13
VP2	CNB:35	CNB35_VP2_P58/ANR08	TP7
GND	CNB:36	GND	
NC	CNB:37	CNB37_NC	TP8
NC	CNB:38	CNB38_NC	TP13
NC	CNB:39	CNB39_NC	TP9
NC	CNB:40	CNB40_NC	TP14

SBH11-PBPC-D20-ST-BK_CNB



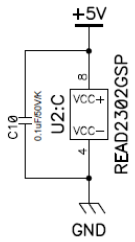
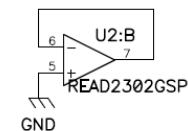
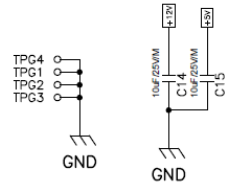
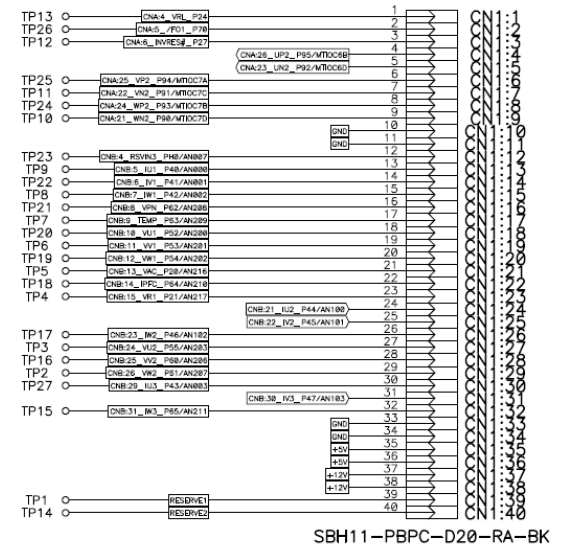
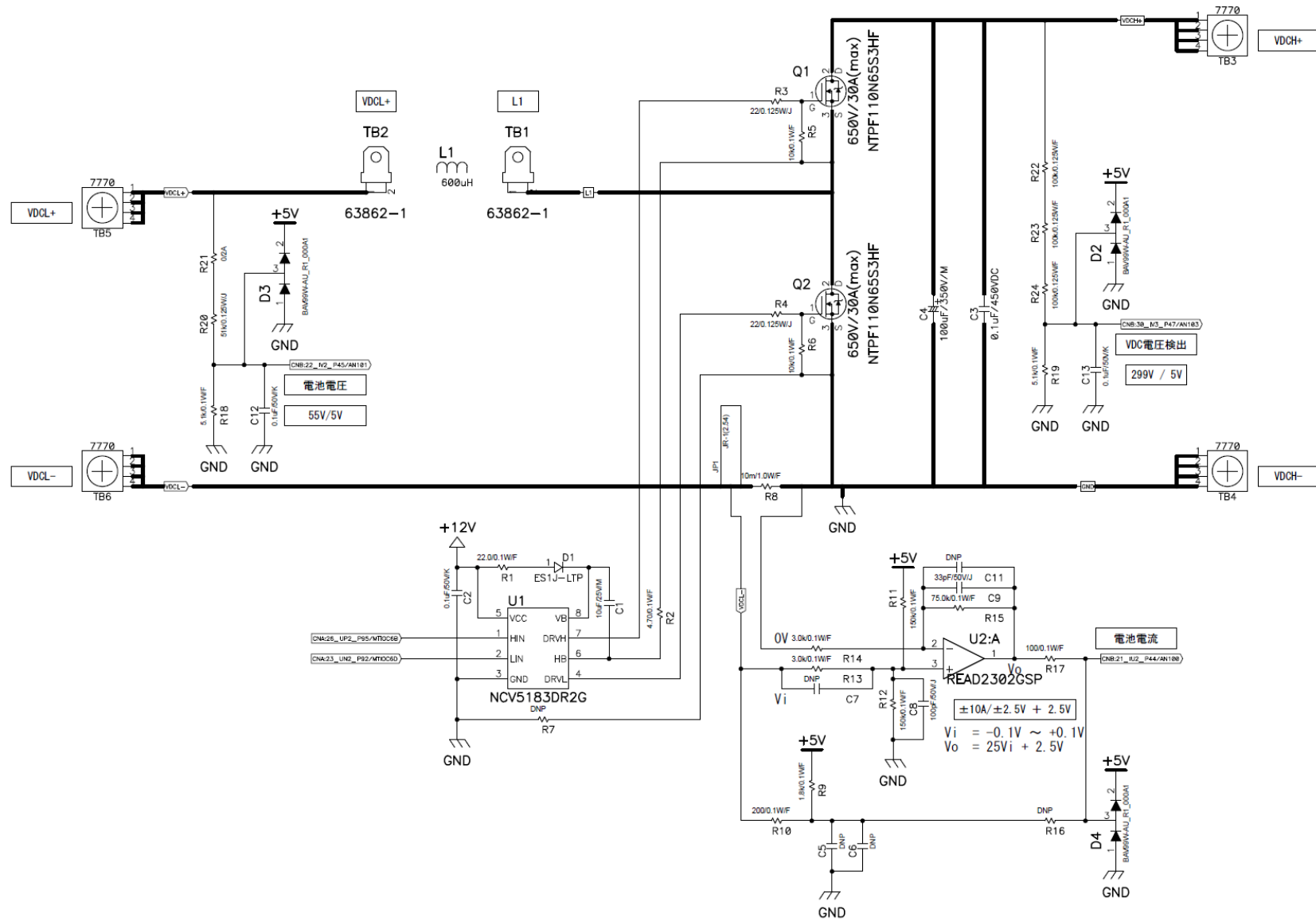


1	[CNB-4_VRL_P24]	TP13
2	[CNB-5_FDI_P28]	TP24
3	[CNB-6_NVRES_P27]	TP12
4	[CNB-12_UP1_P71/MTDC3B]	TP11
5	[CNB-5_UN1_P74/MTDC3D]	TP11
6	[CNB-11_VF1_P72/MTDC4A]	TP23
7	[CNB-8_VN1_P75/MTDC4C]	TP22
8	[CNB-18_WF1_P73/MTDC4B]	TP10
9	[CNB-7_WN1_P76/MTDC4D]	TP10
10	[GND]	
11	[GND]	
12	[GND]	
13	[CNB-4_RSN3_P88/AN807]	TP21
14	[CNB-5_IU1_P48/AN800]	TP9
15	[CNB-6_IV1_P41/AN801]	TP20
16	[CNB-7_IV1_P42/AN802]	TP8
17	[CNB-8_VN1_P52/AN280]	TP19
18	[CNB-9_TMP_P63/AN280]	TP7
19	[CNB-13_VAC_P28/AN210]	TP6
20	[CNB-14_PFC_P44/AN210]	TP18
21	[CNB-15_VR1_P21/AN217]	TP5
22	[CNB-21_BD_P44/AN180]	TP17
23	[CNB-22_V2_P45/AN181]	TP4
24	[GND]	
25	[GND]	
26	[CNB-23_W2_P46/AN182]	
27	[CNB-24_VU2_P55/AN283]	
28	[CNB-25_VV2_P58/AN285]	
29	[GND]	
30	[CNB-25_VW2_P51/AN287]	TP3
31	[CNB-29_BD_P43/AN180]	TP16
32	[CNB-30_B3_P47/AN183]	TP2
33	[CNB-31_W3_P45/AN211]	TP15
34	[GND]	
35	[GND]	
36	[+5V]	
37	[+12V]	
38	[+12V]	
39	[+12V]	
40	[RESERVE1]	TP1
	[RESERVE2]	TP14

SBH11-PBPC-D20-RA-BK

Title RX66T Digital Power Conversion(UPS)		
Size A2	Number R01TU0429EJ	Rev 1.0
Checked by	Approved by	
Date	Drawn by	
Filename	Sheet 4 of 7	

ACDC



DCDC

Title			RX66T Digital Power Conversion(UPS)		
Size	Number	Rev			
A2	R01TU0429EJ	1.0			
Checked by			Approved by		
Date			Drawn by		
Filename			Sheet 5 of 7		

A B C D E F

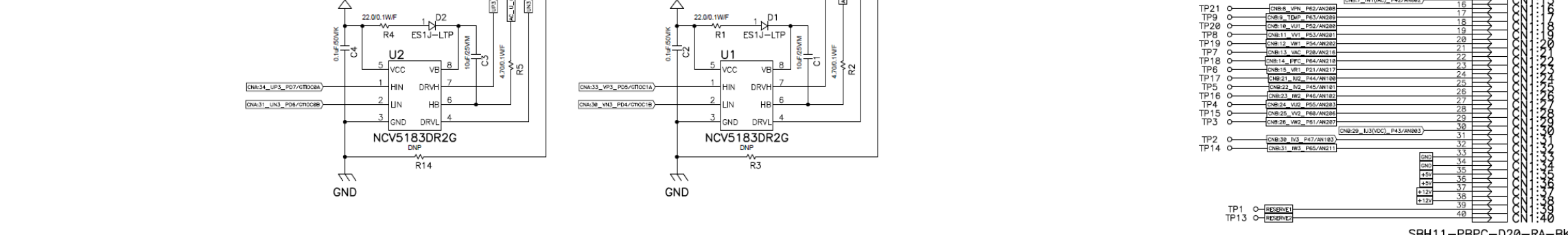
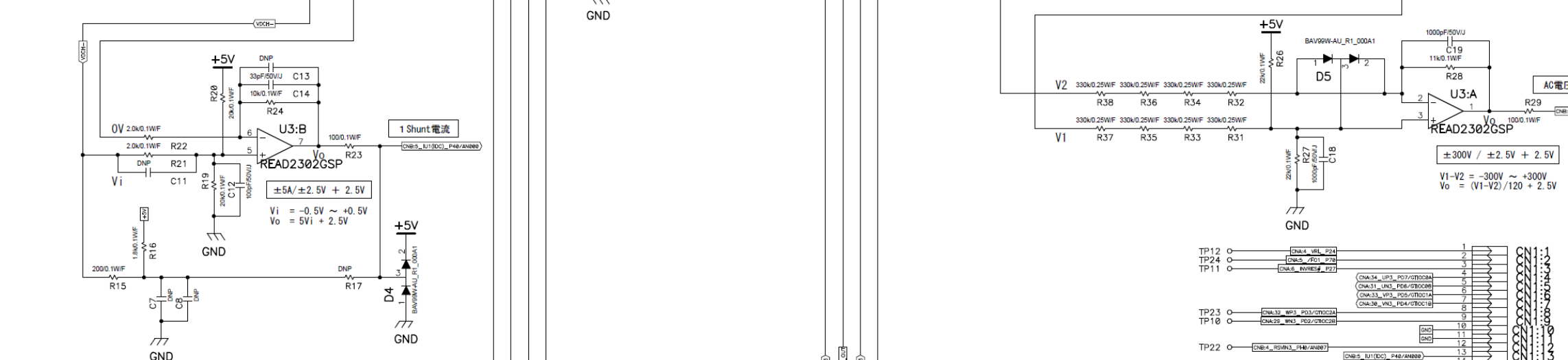
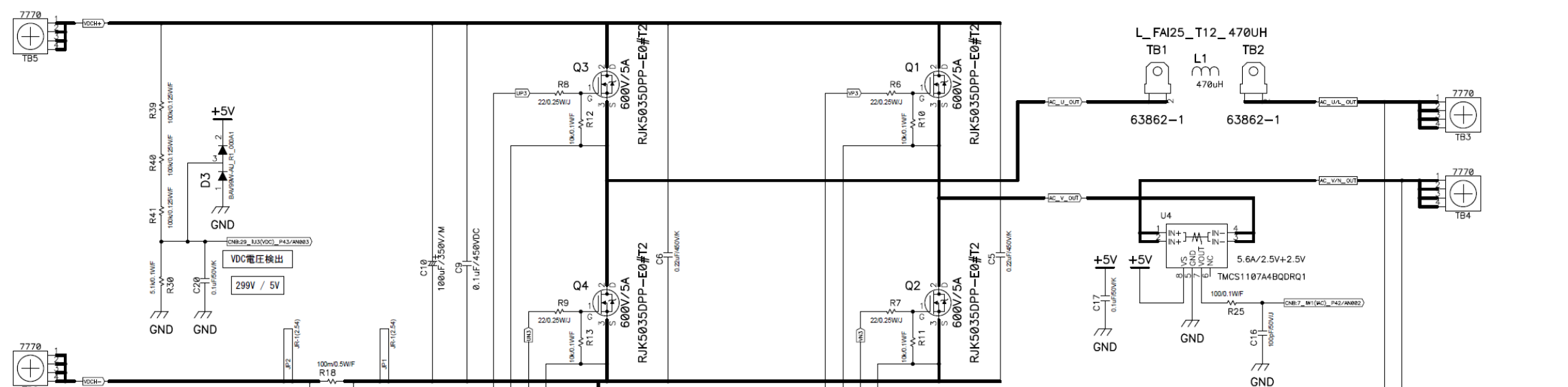
1

2

3

4

A B C D E F



Pin	Signal
TP12	CNA4_VIN_P21
TP24	CNA5_VIN_P21
TP11	CNA6_INVRES_P27
TP23	CNA3_WP3_P03/OTOC2A
TP10	CNA25_WN3_P02/OTOC2B
TP22	CNA4_RSNV3_P48/AN807
TP9	CNA9_VIN_P02/AN200
TP20	CNA18_VI1_P02/AN200
TP8	CNA11_VI1_P03/AN201
TP19	CNA13_VI1_P04/AN202
TP7	CNA15_VI1_P08/AN210
TP18	CNA14_IPFC_P04/AN210
TP6	CNA15_VI1_P21/AN217
TP17	CNA21_IU2_P44/AN180
TP5	CNA22_IU2_P45/AN181
TP16	CNA23_IU2_P46/AN182
TP4	CNA24_VI2_P04/AN203
TP15	CNA25_VI2_P08/AN203
TP3	CNA26_VI2_P01/AN207
TP2	CNA38_IU3_P47/AN183
TP14	CNA31_IU3_P06/AN211
TP1	RESERVE1
TP13	RESERVE2

SBH11-PBPC-D20-RA-BK DCAC

Title RX66T Digital Power Conversion(UPS)		
Size A2	Number R01TU0429EJ	Rev 1.0
Checked by	Approved by	
Date	Drawn by	
Filename	Sheet 6 of 7	

History

Rev.	Date	Page	Summary
1.0	2022/8/8	-	First edition

Title			RX66T Digital Power Conversion(UPS)		
Size	Number		Rev		
	R01TU0429EJ		1.0		
Checked by			Approved by		
Date			Drawn by		
Filename			Sheet 7 of 7		