

Low Jitter Frequency Reference

In communication and other circuits, it is often necessary to produce an accurate reference signal whose frequency and phase can be precisely controlled in real time. The Numerically Controlled Oscillator (NCO) is ideally suited for this purpose. For some applications, the output reference signal is a square wave, so the temptation is to use only the MSB of the NCO output. This is useful in low frequency applications such as motor controllers, but is inadequate for most communications tasks. This is because the zero crossings of this signal can vary by one period of the input clock from one pulse to the next, which creates an unacceptable amount of jitter in the output. For example, if the NCO is clocked at 30MHz, the jitter is 33ns. For a 1MHz square wave, this results in 12° of phase jitter. The straightforward solution is to use an NCO with a much higher

clock rate. This is not cost effective for applications requiring phase jitter of less than 5ns, however, since it requires a sample rate of 200 Mega Samples Per Second (MSPS), which drives the user to an ECL NCO.

A much less costly circuit which solves this problem is shown in Figure 1. The output of the comparator is a square wave with much less jitter than the NCO alone. The basic idea is that the sampled sine wave output of the NCO is converted to a smooth sine wave, which is converted back to a square wave with a comparator. In the circuit shown, the comparator drives a filter, which attenuates the odd order harmonics so that the final output of the circuit is a sine wave. The upper limit on the purity of the sine wave is also much better than that of the NCO, as will be seen below.

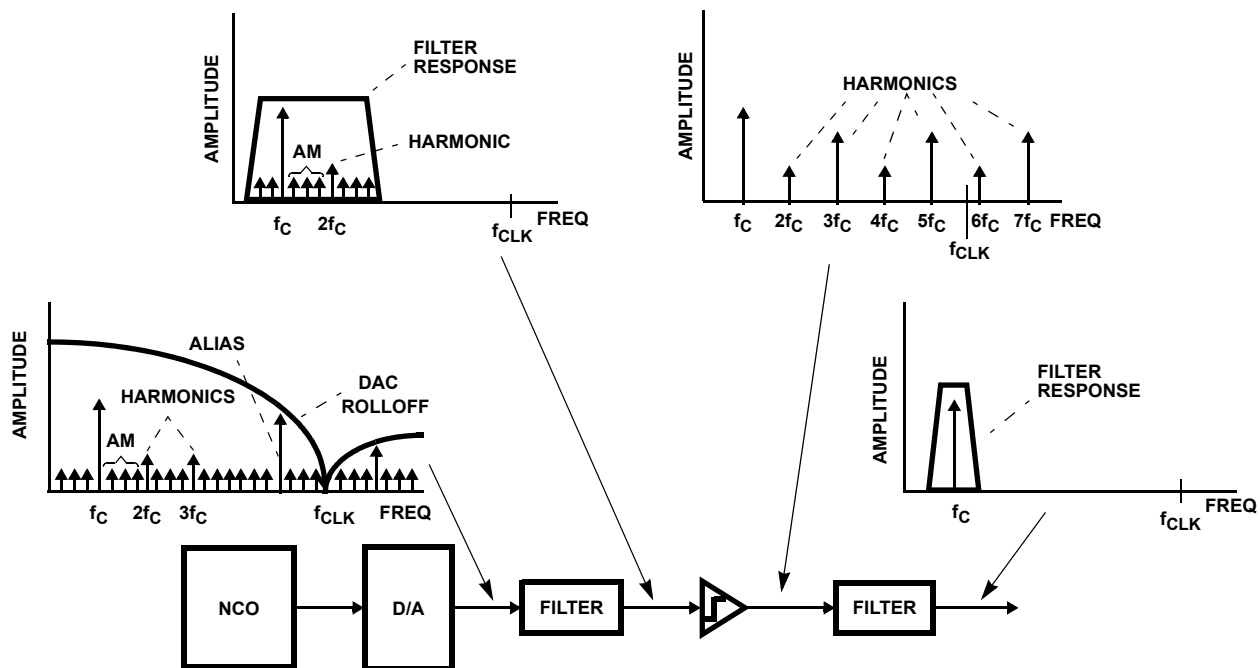


FIGURE 1. MINIMUM SPUR CIRCUIT

The primary sources of error in this circuit are:

In the NCO, spurs are classified as either AM or PM. PM spurs are due to truncation of the phase in calculating the sine and cosine. If M = number of bits into the input of the Sine/Cosine Generator, the PM spur level is $-6M + 5.17\text{dB}$ [1]. The AM spurs are due to amplitude quantization on the output of the NCO. If the number of NCO output bits is N, the AM spur level is approximately equal to $-6.02N - 1.76\text{dB}$. [1] There will also be jitter due to the clock oscillator driving the NCO, but since it is only the short term jitter, not the long term stability of the oscillator that contributes to phase noise, this will be negligible if a reasonably good oscillator is used.

The DAC introduces additional spurs which come from three sources: Intermodulation spurs due to nonlinearities in the DAC; a spur at the clock oscillator frequency due to clock feed-through; and power supply noise. The DAC also faithfully reproduces the aliases and harmonics that are unavoidable products of the NCO due to the digital nature of the output.

The bandpass filter on the output of the DAC eliminates the clock feedthrough, aliases due to the sampled nature of the NCO output and most of the AM spurs. Spurs within the pass band are unchanged. The spectrum of the DAC output is a tone surrounded by spurs and noise in the frequency band corresponding to the pass band of the filter with negligible noise elsewhere. The area comprised of the tone, spurs and noise is known as the pedestal.

The input of the comparator is a relatively clean sine wave which the comparator converts into a square wave. This limiting action eliminates the AM spurs but has no effect on the PM spurs. For this reason, the number of bits used on the output of the NCO and the input of the DAC has little measurable effect on the output. The primary contributions to errors on the output of the comparator are the PM spurs on its input, which are passed through relatively unaffected, and power supply noise, which is attenuated by the power supply rejection of the comparator. If the filter on the input of the comparator did not remove the aliases and clock feed through, then the comparator will generate intermodulation components. This makes a good filter and a careful frequency plan essential.

If the desired output of the circuit is a sine wave rather than a square wave, the output of the comparator is filtered to extract the fundamental - that is, to suppress the odd order harmonics of the square wave signal. Note that this signal is much cleaner than the output of the first filter, since the comparator has removed the AM spurs.

The circuit shown here is often used to generate the reference tone for an indirect loop PLL synthesizer. In this case, the output of this circuit is fed into one input of a mixer, with the other input of the mixer driven by a high frequency VCO. The output of the mixer is a high frequency tone. The phase noise at the output of the mixer due to the noise in the reference circuit will be equal to the spur level of the reference circuit plus $20 \cdot \log_{10}(\text{output frequency}/\text{NCO frequency})$. For example, using the 45106 as a 5MHz reference for a 1GHz synthesizer, the spurs on the output of the reference would increase by $20 \log_{10}(200)$, so the output spur level would be $-114 + 46 = -68\text{dBc}$ at 1GHz. The NCO frequency resolution is 0.008Hz at 33 MSPS, so the tuning resolution of the synthesizer is $200(0.008) = 1.6\text{Hz}$. Finer resolution can be obtained by cascading the Time Accumulator with the Phase Accumulator. (See below).

Extended Frequency Resolution

The phase accumulator of the HSP45106 (NCO16) is 32 bits wide. This corresponds to a frequency resolution of $(\text{Sample Frequency})/2^{32}$. For a 25 MSPS sample rate, this results in an output frequency resolution of 0.006Hz. In certain applications, there is a requirement for much greater resolution. The NCO16 can address these applications using the Time Accumulator as an extension of the Phase Accumulator. Frequency resolutions of up to 64 bits can be obtained in this configuration. Using the previous example of a 25MHz clock, the frequency resolution is $25\text{MHz}/2^{64} = 1.35\text{pHz}$. Using the parts in this configuration requires a small change to the external control logic: The Timer Accumulator Register must be loaded over the control bus interface. This mode of operation has no effect on any of the other performance parameters, such as spurious free dynamic range, phase resolution, etc.

To configure the HSP45106 for this application, the setup shown in Figure 2. Note that the Timer Accumulator output, TICO, is connected to the Phase Accumulator input, PACI. To set the output frequency of the part, the Center Frequency Register and the Timer Accumulator must be loaded. Assuming that the Offset Register is not used, the equation for calculating the output frequency is now:

$$\text{Center Frequency} = f_{\text{CLK}} \times (\text{Center Frequency Register} / 2^{32}) + (\text{Timer Accumulator Register} / 2^{64})$$

In this equation, the contents of the value in the Center Frequency Register is a two's complement number, meaning that the part tunes from $-(\text{CLK Frequency}) / 2$ to $+(\text{CLK Frequency}) / 2$. The value in the Timer Accumulator is an unsigned number. It is unsigned because it provides the carry in to the Phase Accumulator, which is always added to the LSB of the current phase value.

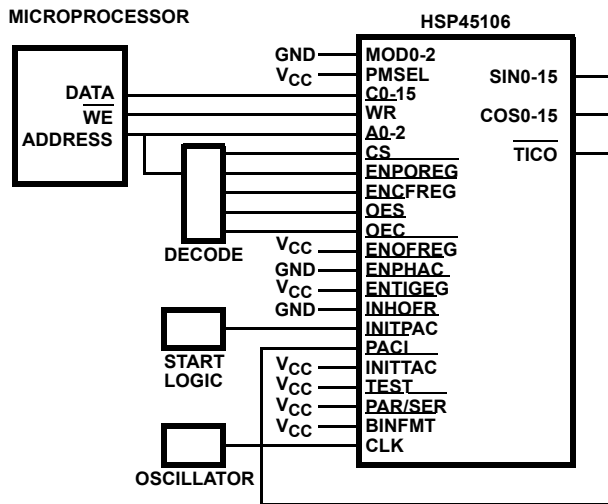


FIGURE 2. EXTENDED FREQUENCY RESOLUTION CIRCUIT

The user should note that there is a flip flop between the Time Accumulator carry out and the $\overline{\text{TICO}}$ pin, and another flip flop between the $\overline{\text{PACI}}$ pin and the Phase Accumulator carry input. This will cause a two clock cycle delay between the carry out of the timer into the carry in of the accumulator. This will only have an effect on the output when the frequency register is updated; in effect, the Time Accumulator lags the Phase Accumulator by two clock cycles. If this is a concern, this can be compensated for by loading the input registers for both accumulators, then toggling $\overline{\text{ENTIREG}}$ two clock cycles before $\overline{\text{ENCFREG}}$.

While the internal architecture of the HSP45116 NCOM and the HSP45106 NCO16 are very similar, this application works better with the NCO16 for two reasons. The first is that on the NCO16, the timer is loaded using a unique pin, rather than sharing this function with the ROM bypass line. This means that the output of the NCO16 is always valid, instead of having erroneous results on the output whenever the timer is updated. The second is that with the NCO16, the data for the various registers is downloaded into separate input registers, which can be downloaded into the operating registers with the $\overline{\text{ENXXREG}}$ pulses. With the NCOM, there is only one 32 bit input register, which must be downloaded into the appropriate operating register before the next value can be input into the part. In this application, it means that the user can adjust the phase between the register updates with the NCO16 but not with the NCOM.

Example

The circuit used to verify this equation is shown in Figure 2. The clock oscillator frequency was measured at 25.24102MHz. In order to achieve an output frequency of 1.000000Hz, the center frequency was set to hexadecimal AA, the offset frequency set to 0, and the Timer Accumulator set to hexadecimal 28880000. A frequency counter was attached to bit 15 of the cosine output. The actual frequency out varied from 0.9999999 to 1.0000003 as the oscillator drifted with time. A more stable oscillator would yield more predictable results. Note that going through the calculations results in an output frequency of 1.0000006Hz. The difference is due to the fact that the oscillator frequency measurement was only carried out to 7 digits, but the counter used in this example had 8 digits.

References

For Intersil documents available on the internet, see web site <http://www.intersil.com>.

Cercas, Francisco A. B., Tomlinson, M and Albuquerque, A. A. Designing with Digital Frequency Synthesizers, Proceedings of RF Expo East, 1990

Notice

1. Descriptions of circuits, software and other related information in this document are provided only to illustrate the operation of semiconductor products and application examples. You are fully responsible for the incorporation or any other use of the circuits, software, and information in the design of your product or system. Renesas Electronics disclaims any and all liability for any losses and damages incurred by you or third parties arising from the use of these circuits, software, or information.
2. Renesas Electronics hereby expressly disclaims any warranties against and liability for infringement or any other claims involving patents, copyrights, or other intellectual property rights of third parties, by or arising from the use of Renesas Electronics products or technical information described in this document, including but not limited to, the product data, drawings, charts, programs, algorithms, and application examples.
3. No license, express, implied or otherwise, is granted hereby under any patents, copyrights or other intellectual property rights of Renesas Electronics or others.
4. You shall not alter, modify, copy, or reverse engineer any Renesas Electronics product, whether in whole or in part. Renesas Electronics disclaims any and all liability for any losses or damages incurred by you or third parties arising from such alteration, modification, copying or reverse engineering.
5. Renesas Electronics products are classified according to the following two quality grades: "Standard" and "High Quality". The intended applications for each Renesas Electronics product depends on the product's quality grade, as indicated below.
"Standard": Computers; office equipment; communications equipment; test and measurement equipment; audio and visual equipment; home electronic appliances; machine tools; personal electronic equipment; industrial robots; etc.
"High Quality": Transportation equipment (automobiles, trains, ships, etc.); traffic control (traffic lights); large-scale communication equipment; key financial terminal systems; safety control equipment; etc.
Unless expressly designated as a high reliability product or a product for harsh environments in a Renesas Electronics data sheet or other Renesas Electronics document, Renesas Electronics products are not intended or authorized for use in products or systems that may pose a direct threat to human life or bodily injury (artificial life support devices or systems; surgical implantations; etc.), or may cause serious property damage (space system; undersea repeaters; nuclear power control systems; aircraft control systems; key plant systems; military equipment; etc.). Renesas Electronics disclaims any and all liability for any damages or losses incurred by you or any third parties arising from the use of any Renesas Electronics product that is inconsistent with any Renesas Electronics data sheet, user's manual or other Renesas Electronics document.
6. When using Renesas Electronics products, refer to the latest product information (data sheets, user's manuals, application notes, "General Notes for Handling and Using Semiconductor Devices" in the reliability handbook, etc.), and ensure that usage conditions are within the ranges specified by Renesas Electronics with respect to maximum ratings, operating power supply voltage range, heat dissipation characteristics, installation, etc. Renesas Electronics disclaims any and all liability for any malfunctions, failure or accident arising out of the use of Renesas Electronics products outside of such specified ranges.
7. Although Renesas Electronics endeavors to improve the quality and reliability of Renesas Electronics products, semiconductor products have specific characteristics, such as the occurrence of failure at a certain rate and malfunctions under certain use conditions. Unless designated as a high reliability product or a product for harsh environments in a Renesas Electronics data sheet or other Renesas Electronics document, Renesas Electronics products are not subject to radiation resistance design. You are responsible for implementing safety measures to guard against the possibility of bodily injury, injury or damage caused by fire, and/or danger to the public in the event of a failure or malfunction of Renesas Electronics products, such as safety design for hardware and software, including but not limited to redundancy, fire control and malfunction prevention, appropriate treatment for aging degradation or any other appropriate measures. Because the evaluation of microcomputer software alone is very difficult and impractical, you are responsible for evaluating the safety of the final products or systems manufactured by you.
8. Please contact a Renesas Electronics sales office for details as to environmental matters such as the environmental compatibility of each Renesas Electronics product. You are responsible for carefully and sufficiently investigating applicable laws and regulations that regulate the inclusion or use of controlled substances, including without limitation, the EU RoHS Directive, and using Renesas Electronics products in compliance with all these applicable laws and regulations. Renesas Electronics disclaims any and all liability for damages or losses occurring as a result of your noncompliance with applicable laws and regulations.
9. Renesas Electronics products and technologies shall not be used for or incorporated into any products or systems whose manufacture, use, or sale is prohibited under any applicable domestic or foreign laws or regulations. You shall comply with any applicable export control laws and regulations promulgated and administered by the governments of any countries asserting jurisdiction over the parties or transactions.
10. It is the responsibility of the buyer or distributor of Renesas Electronics products, or any other party who distributes, disposes of, or otherwise sells or transfers the product to a third party, to notify such third party in advance of the contents and conditions set forth in this document.
11. This document shall not be reprinted, reproduced or duplicated in any form, in whole or in part, without prior written consent of Renesas Electronics.
12. Please contact a Renesas Electronics sales office if you have any questions regarding the information contained in this document or Renesas Electronics products.
(Note 1) "Renesas Electronics" as used in this document means Renesas Electronics Corporation and also includes its directly or indirectly controlled subsidiaries.
(Note 2) "Renesas Electronics product(s)" means any product developed or manufactured by or for Renesas Electronics.

(Rev.4.0-1 November 2017)



SALES OFFICES

Renesas Electronics Corporation

<http://www.renesas.com>

Refer to "<http://www.renesas.com/>" for the latest and detailed information.

Renesas Electronics America Inc.
1001 Murphy Ranch Road, Milpitas, CA 95035, U.S.A.
Tel: +1-408-432-8888, Fax: +1-408-434-5351

Renesas Electronics Canada Limited
9251 Yonge Street, Suite 8309 Richmond Hill, Ontario Canada L4C 9T3
Tel: +1-905-237-2004

Renesas Electronics Europe Limited
Dukes Meadow, Millboard Road, Bourne End, Buckinghamshire, SL8 5FH, U.K.
Tel: +44-1628-651-700, Fax: +44-1628-651-804

Renesas Electronics Europe GmbH
Arcadiastrasse 10, 40472 Düsseldorf, Germany
Tel: +49-211-6503-0, Fax: +49-211-6503-1327

Renesas Electronics (China) Co., Ltd.
Room 1709 Quantum Plaza, No.27 ZhichunLu, Haidian District, Beijing, 100191 P. R. China
Tel: +86-10-8235-1155, Fax: +86-10-8235-7679

Renesas Electronics (Shanghai) Co., Ltd.
Unit 301, Tower A, Central Towers, 555 Langao Road, Putuo District, Shanghai, 200333 P. R. China
Tel: +86-21-2226-0888, Fax: +86-21-2226-0999

Renesas Electronics Hong Kong Limited
Unit 1601-1611, 16/F., Tower 2, Grand Century Place, 193 Prince Edward Road West, Mongkok, Kowloon, Hong Kong
Tel: +852-2265-6688, Fax: +852-2886-9022

Renesas Electronics Taiwan Co., Ltd.
13F, No. 363, Fu Shing North Road, Taipei 10543, Taiwan
Tel: +886-2-8175-9600, Fax: +886-2-8175-9670

Renesas Electronics Singapore Pte. Ltd.
80 Bendemeer Road, Unit #06-02 Hyflux Innovation Centre, Singapore 339949
Tel: +65-6213-0200, Fax: +65-6213-0300

Renesas Electronics Malaysia Sdn.Bhd.
Unit 1207, Block B, Menara Amcorp, Amcorp Trade Centre, No. 18, Jln Persiaran Barat, 46050 Petaling Jaya, Selangor Darul Ehsan, Malaysia
Tel: +60-3-7955-9390, Fax: +60-3-7955-9510

Renesas Electronics India Pvt. Ltd.
No.777C, 100 Feet Road, HAL 2nd Stage, Indiranagar, Bangalore 560 038, India
Tel: +91-80-67208700, Fax: +91-80-67208777

Renesas Electronics Korea Co., Ltd.
17F, KAMCO Yangjae Tower, 262, Gangnam-daero, Gangnam-gu, Seoul, 06265 Korea
Tel: +82-2-558-3737, Fax: +82-2-558-5338