

ISL62771

Disabling the North Bridge Regulator

TB497
Rev 0.00
February 19, 2014

The ISL62771 is a feature rich power supply controller targeted for AMD SVI2 compliant processors that is capable of controlling two independent rails. One of the rails, referred to as the Core regulator, can be configured as either a two-phase regulator or a single-phase regulator. The second rail is a single phase regulator and is referred to as the North Bridge regulator.

Many applications require a single AMD SVI2 compliant power supply that utilizes only one or two phases. The ISL62771 can support these requirements but it lacks an option for disabling the North Bridge regulator so that only the Core regulator is

running. This technical brief describes the method that can be used to effectively disable the North Bridge regulator so that the ISL62771 is controlling a single output.

Figure 1 shows how to configure the ISL62771 with the North Bridge regulator disabled and the Core regulator configured as a two-phase system.

Figure 2 shows how to configure the ISL62771 with the North Bridge regulator disabled and the Core regulator configured as a single-phase system.

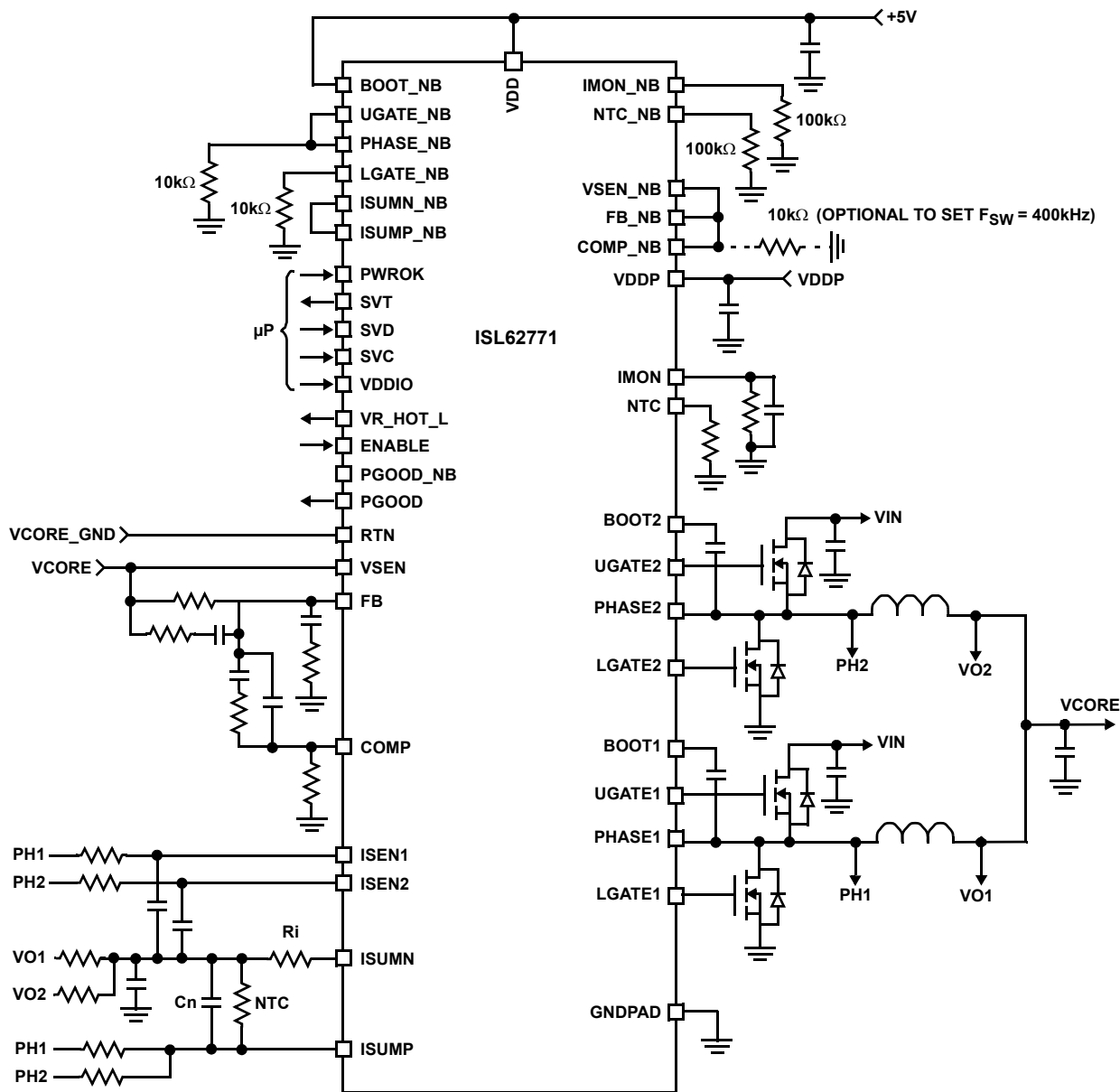


FIGURE 1. TWO-PHASE CORE REGULATOR WITH NORTH BRIDGE DISABLED

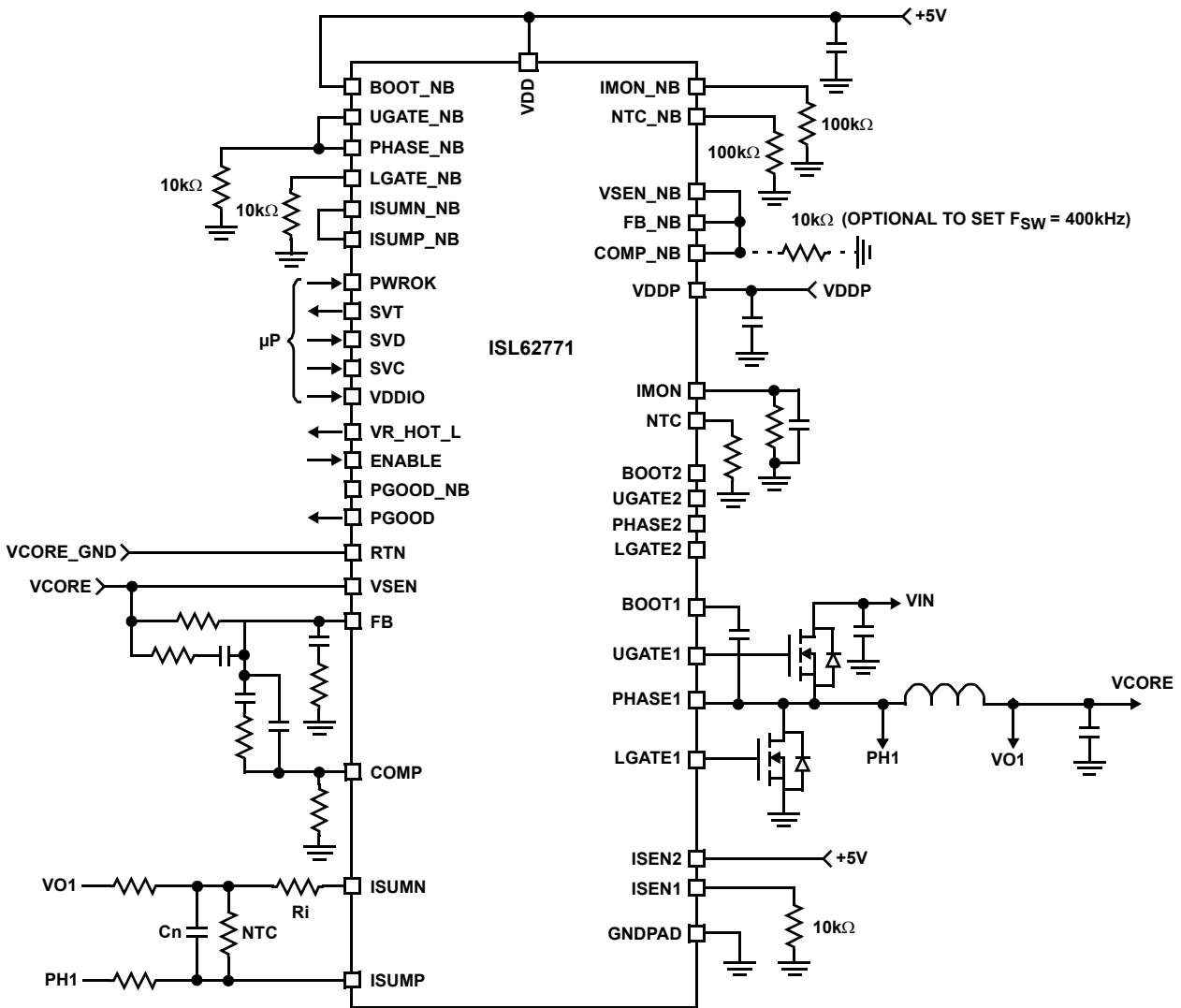


FIGURE 2. SINGLE-PHASE CORE REGULATOR WITH NORTH BRIDGE DISABLED

The Core regulator is configured as either a one- or two-phase system per the instructions given in the ISL62771 datasheet. Whether the Core regulator is configured as a one- or two-phase system, the North Bridge regulator is disabled in the same manner:

1. Short the following pins together: COMP_NB (pin 36), FB_NB (pin 37), and VSEN_NB (pin 38).
2. Short the following pins together: ISUMN_NB (pin 39) and ISUMP_NB (pin 40).
3. Tie pin IMON_NB (pin 2) to ground through a 100k Ω resistor.
4. Tie pin NTC_NB (pin 1) to ground through a 100k Ω resistor.
5. Tie pin BOOT_NB (pin 31) to pin VDD (pin 25).
6. Tie pin PHASE_NB (pin 33) to pin UGATE_NB (pin 32).
7. Tie pin LGATE_NB (pin 34) to ground through a 10k Ω resistor.
8. Tie pin UGATE_NB (pin 32) to ground through a 10k Ω resistor.
9. Pin PGOOD_NB (pin 35) can be left floating.

These instructions will yield a system with a switching frequency of 300kHz. In order to obtain a 400kHz switching frequency, the COMP_NB pin should be tied to ground through a 10k Ω resistor.

Programming an offset on the Core regulator is accomplished through the prescribed method in the ISL62771 datasheet.

Behavior of the ISL62771

With the ISL62771 configured as described in this technical brief, the internal circuitry for the North Bridge regulator is not powered down nor is it disabled. All feedback, control, protection, and gate driver circuits are active. Due to this, there is a minor bias current draw for this active circuitry.

The shorting of the COMP_NB and FB_NB pins places a unity gain on the North Bridge amplifier. This will force the North Bridge DAC voltage on both of these pins after soft-start. Shorting the VSEN_NB pin to COMP_NB and FB_NB insures that there will be no over or undervoltage events that could shut the regulators down.

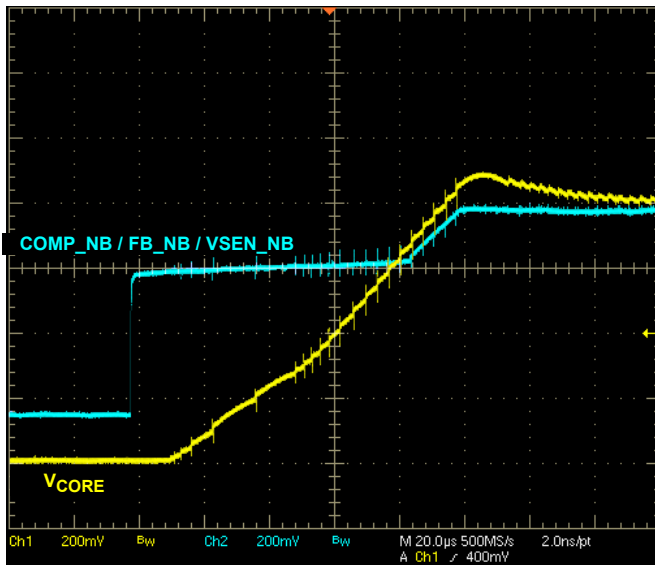


FIGURE 3. STARTUP WITH NORTH BRIDGE DISABLED

Figure 3 shows how the VSEN_NB, COMP_NB, and FB_NB pins will act during startup. Following startup, these pins will remain at whatever the MetalVID voltage is, unless an SVID command is sent to change the North Bridge DAC value.

If an SVI command is sent to the ISL62771 that commands the North Bridge DAC to a particular VID level, the COMP_NB, FB_NB, and VSEN_NB pins will ramp to that new VID level, tracking the DAC as it ramps. If an SVI command is never sent to the North Bridge regulator, then the COMP_NB, FB_NB, and VSEN_NB voltages will remain at the MetalVID voltage that was prescribed by the initial SVC and SVD voltages at startup.

Shorting the ISUMP_NB and ISUMN_NB pins together will force the current sensing amplifiers to measure a zero load current. As such, there can be no shutdowns due to a sensed overcurrent by the North Bridge circuitry.

Both the IMON_NB and NTC_NB pins are tied to ground through a 100kΩ resistor. These resistors will insure that there will be no overcurrent or thermal shutdown initiated by the North Bridge control circuitry.

The gate drivers for the North Bridge regulator remain active in this configuration. For this reason, the BOOT_NB pin is tied to VDD so that the upper gate driver retains a bias. The 10kΩ resistors on the UGATE_NB and LGATE_NB pins allow for a minimal amount of current to flow through the drivers when turned on. The PHASE_NB pin is tied to the UGATE_NB pin to simulate the switching of the PHASE node.

Figure 4 shows what the upper and lower gate signals will look like for the North Bridge regulator in this configuration. Figure 5 shows a number of switching cycles. If an SVI command is sent to the North Bridge regulator and the DAC is changed, the duty cycle of the gate signals will likely change. If the North Bridge DAC is commanded to a low enough voltage, the COMP_NB signal can fall below the oscillator and switching could halt entirely.

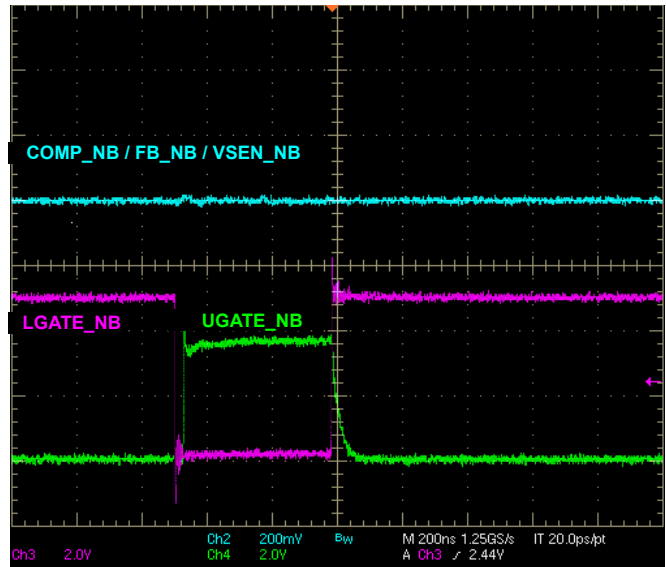


FIGURE 4. NORTH BRIDGE GATE SIGNALS

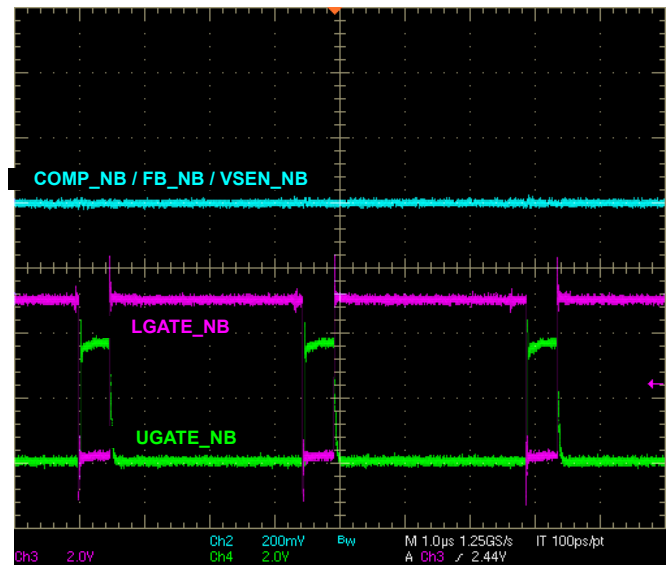


FIGURE 5. NORTH BRIDGE GATE SIGNALS SHOWING DUTY CYCLE

References

For Intersil documents available on the web, see www.intersil.com

[1] [ISL62771](#) Datasheet

Notice

1. Descriptions of circuits, software and other related information in this document are provided only to illustrate the operation of semiconductor products and application examples. You are fully responsible for the incorporation or any other use of the circuits, software, and information in the design of your product or system. Renesas Electronics disclaims any and all liability for any losses and damages incurred by you or third parties arising from the use of these circuits, software, or information.
2. Renesas Electronics hereby expressly disclaims any warranties against and liability for infringement or any other claims involving patents, copyrights, or other intellectual property rights of third parties, by or arising from the use of Renesas Electronics products or technical information described in this document, including but not limited to, the product data, drawings, charts, programs, algorithms, and application examples.
3. No license, express, implied or otherwise, is granted hereby under any patents, copyrights or other intellectual property rights of Renesas Electronics or others.
4. You shall not alter, modify, copy, or reverse engineer any Renesas Electronics product, whether in whole or in part. Renesas Electronics disclaims any and all liability for any losses or damages incurred by you or third parties arising from such alteration, modification, copying or reverse engineering.
5. Renesas Electronics products are classified according to the following two quality grades: "Standard" and "High Quality". The intended applications for each Renesas Electronics product depends on the product's quality grade, as indicated below.
"Standard": Computers; office equipment; communications equipment; test and measurement equipment; audio and visual equipment; home electronic appliances; machine tools; personal electronic equipment; industrial robots; etc.
"High Quality": Transportation equipment (automobiles, trains, ships, etc.); traffic control (traffic lights); large-scale communication equipment; key financial terminal systems; safety control equipment; etc.
Unless expressly designated as a high reliability product or a product for harsh environments in a Renesas Electronics data sheet or other Renesas Electronics document, Renesas Electronics products are not intended or authorized for use in products or systems that may pose a direct threat to human life or bodily injury (artificial life support devices or systems; surgical implantations; etc.), or may cause serious property damage (space system; undersea repeaters; nuclear power control systems; aircraft control systems; key plant systems; military equipment; etc.). Renesas Electronics disclaims any and all liability for any damages or losses incurred by you or any third parties arising from the use of any Renesas Electronics product that is inconsistent with any Renesas Electronics data sheet, user's manual or other Renesas Electronics document.
6. When using Renesas Electronics products, refer to the latest product information (data sheets, user's manuals, application notes, "General Notes for Handling and Using Semiconductor Devices" in the reliability handbook, etc.), and ensure that usage conditions are within the ranges specified by Renesas Electronics with respect to maximum ratings, operating power supply voltage range, heat dissipation characteristics, installation, etc. Renesas Electronics disclaims any and all liability for any malfunctions, failure or accident arising out of the use of Renesas Electronics products outside of such specified ranges.
7. Although Renesas Electronics endeavors to improve the quality and reliability of Renesas Electronics products, semiconductor products have specific characteristics, such as the occurrence of failure at a certain rate and malfunctions under certain use conditions. Unless designated as a high reliability product or a product for harsh environments in a Renesas Electronics data sheet or other Renesas Electronics document, Renesas Electronics products are not subject to radiation resistance design. You are responsible for implementing safety measures to guard against the possibility of bodily injury, injury or damage caused by fire, and/or danger to the public in the event of a failure or malfunction of Renesas Electronics products, such as safety design for hardware and software, including but not limited to redundancy, fire control and malfunction prevention, appropriate treatment for aging degradation or any other appropriate measures. Because the evaluation of microcomputer software alone is very difficult and impractical, you are responsible for evaluating the safety of the final products or systems manufactured by you.
8. Please contact a Renesas Electronics sales office for details as to environmental matters such as the environmental compatibility of each Renesas Electronics product. You are responsible for carefully and sufficiently investigating applicable laws and regulations that regulate the inclusion or use of controlled substances, including without limitation, the EU RoHS Directive, and using Renesas Electronics products in compliance with all these applicable laws and regulations. Renesas Electronics disclaims any and all liability for damages or losses occurring as a result of your noncompliance with applicable laws and regulations.
9. Renesas Electronics products and technologies shall not be used for or incorporated into any products or systems whose manufacture, use, or sale is prohibited under any applicable domestic or foreign laws or regulations. You shall comply with any applicable export control laws and regulations promulgated and administered by the governments of any countries asserting jurisdiction over the parties or transactions.
10. It is the responsibility of the buyer or distributor of Renesas Electronics products, or any other party who distributes, disposes of, or otherwise sells or transfers the product to a third party, to notify such third party in advance of the contents and conditions set forth in this document.
11. This document shall not be reprinted, reproduced or duplicated in any form, in whole or in part, without prior written consent of Renesas Electronics.
12. Please contact a Renesas Electronics sales office if you have any questions regarding the information contained in this document or Renesas Electronics products.
(Note 1) "Renesas Electronics" as used in this document means Renesas Electronics Corporation and also includes its directly or indirectly controlled subsidiaries.
(Note 2) "Renesas Electronics product(s)" means any product developed or manufactured by or for Renesas Electronics.

(Rev.4.0-1 November 2017)



SALES OFFICES

Renesas Electronics Corporation

<http://www.renesas.com>

Refer to "<http://www.renesas.com/>" for the latest and detailed information.

Renesas Electronics America Inc.
1001 Murphy Ranch Road, Milpitas, CA 95035, U.S.A.
Tel: +1-408-432-8888, Fax: +1-408-434-5351

Renesas Electronics Canada Limited
9251 Yonge Street, Suite 8309 Richmond Hill, Ontario Canada L4C 9T3
Tel: +1-905-237-2004

Renesas Electronics Europe Limited
Dukes Meadow, Millboard Road, Bourne End, Buckinghamshire, SL8 5FH, U.K
Tel: +44-1628-651-700, Fax: +44-1628-651-804

Renesas Electronics Europe GmbH
Arcadiastrasse 10, 40472 Düsseldorf, Germany
Tel: +49-211-6503-0, Fax: +49-211-6503-1327

Renesas Electronics (China) Co., Ltd.
Room 1709 Quantum Plaza, No.27 ZhichunLu, Haidian District, Beijing, 100191 P. R. China
Tel: +86-10-8235-1155, Fax: +86-10-8235-7679

Renesas Electronics (Shanghai) Co., Ltd.
Unit 301, Tower A, Central Towers, 555 Langao Road, Putuo District, Shanghai, 200333 P. R. China
Tel: +86-21-2226-0888, Fax: +86-21-2226-0999

Renesas Electronics Hong Kong Limited
Unit 1601-1611, 16/F., Tower 2, Grand Century Place, 193 Prince Edward Road West, Mongkok, Kowloon, Hong Kong
Tel: +852-2265-6688, Fax: +852-2886-9022

Renesas Electronics Taiwan Co., Ltd.
13F, No. 363, Fu Shing North Road, Taipei 10543, Taiwan
Tel: +886-2-8175-9600, Fax: +886-2-8175-9670

Renesas Electronics Singapore Pte. Ltd.
80 Bendemeer Road, Unit #06-02 Hyflux Innovation Centre, Singapore 339949
Tel: +65-6213-0200, Fax: +65-6213-0300

Renesas Electronics Malaysia Sdn.Bhd.
Unit 1207, Block B, Menara Amcorp, Amcorp Trade Centre, No. 18, Jln Persiaran Barat, 46050 Petaling Jaya, Selangor Darul Ehsan, Malaysia
Tel: +60-3-7955-9390, Fax: +60-3-7955-9510

Renesas Electronics India Pvt. Ltd.
No.777C, 100 Feet Road, HAL 2nd Stage, Indiranagar, Bangalore 560 038, India
Tel: +91-80-67208700, Fax: +91-80-67208777

Renesas Electronics Korea Co., Ltd.
17F, KAMCO Yangjae Tower, 262, Gangnam-daero, Gangnam-gu, Seoul, 06265 Korea
Tel: +82-2-558-3737, Fax: +82-2-558-5338