



Integrated Device Technology, Inc.  
6024 Silver Creek Valley Road, San Jose, CA 95138

### PRODUCT/PROCESS CHANGE NOTICE (PCN)

PCN #: <b>TB0711-02</b>	DATE: <b>12/12/2007</b>	MEANS OF DISTINGUISHING CHANGED DEVICES: <input type="checkbox"/> Product Mark <input type="checkbox"/> Back Mark <input type="checkbox"/> Date Code <input checked="" type="checkbox"/> Other
Product Affected: <b>14 mm x 14 mm PQFP 52L and 64L shipped in tray</b>		
Date Effective: <b>3/12/2008</b>		Supplier part# on side of tray

Contact: <b>Geoffrey Cortes</b>	Attachment: <input checked="" type="checkbox"/> Yes <input type="checkbox"/> No
Title: <b>Product Quality Assurance</b>	
Phone #: <b>(408) 284-8321</b>	Samples: <b>N/A</b>
Fax #: <b>(408) 284-1450</b>	
E-mail: <a href="mailto:Geoffrey.Cortes@idt.com">Geoffrey.Cortes@idt.com</a>	

**DESCRIPTION AND PURPOSE OF CHANGE:**

<input type="checkbox"/> Die Technology	This notification is to advise our customers that IDT has qualified new shipping trays for 14 mm x 14 mm PQFP 52L and 64L products.
<input type="checkbox"/> Wafer Fabrication Process	
<input type="checkbox"/> Assembly Process	
<input type="checkbox"/> Equipment	There is no change to the number of units per tray and tray dimensions but changes to the tray withstand temperature.
<input type="checkbox"/> Material	
<input type="checkbox"/> Testing	
<input type="checkbox"/> Manufacturing Site	Attachment I details the change.
<input type="checkbox"/> Data Sheet	Attachment II provides a list of affected products.
<input checked="" type="checkbox"/> Other - Packing Material	Attachment III provides the existing and new tray drawings.

**RELIABILITY/QUALIFICATION SUMMARY:**

The new trays have passed IDT qualification. Please see Attachment I for the qualification results.

**CUSTOMER ACKNOWLEDGMENT OF RECEIPT:**

IDT records indicate that you require written notification of this change. Please use the acknowledgement below or E-Mail to grant approval or request additional information. If IDT does not receive acknowledgement within 30 days of this notice it will be assumed that this change is acceptable.

IDT reserves the right to ship either version manufactured after the process change effective date until the inventory on the earlier version has been depleted.

Customer: _____	<input type="checkbox"/> <b><i>Approval for shipments prior to effective date.</i></b>
Name/Date: _____	E-Mail Address: _____
Title: _____	Phone # /Fax #: _____

**CUSTOMER COMMENTS:** \_\_\_\_\_

**IDT ACKNOWLEDGMENT OF RECEIPT:**

RECD. BY: \_\_\_\_\_ DATE: \_\_\_\_\_



Integrated Device Technology, Inc.  
6024 Silver Creek Valley Road, San Jose, CA 95138

## PRODUCT/PROCESS CHANGE NOTICE (PCN)

### ATTACHMENT I - PCN #: TB0711-02

**PCN Type:** Packing Material

**Data Sheet Change:** None

**Detail of Change:** This notification is to advise our customers that IDT has qualified new shipping trays for 14 mm x 14 mm PQFP 52L and 64L products.

There is no change to the number of units per tray and tray dimensions but changes to the tray withstand temperature.

The new shipping trays have passed IDT's internal qualification requirements.

Customer may receive product shipped in the existing trays and new trays in one single shipment until the existing trays are depleted.

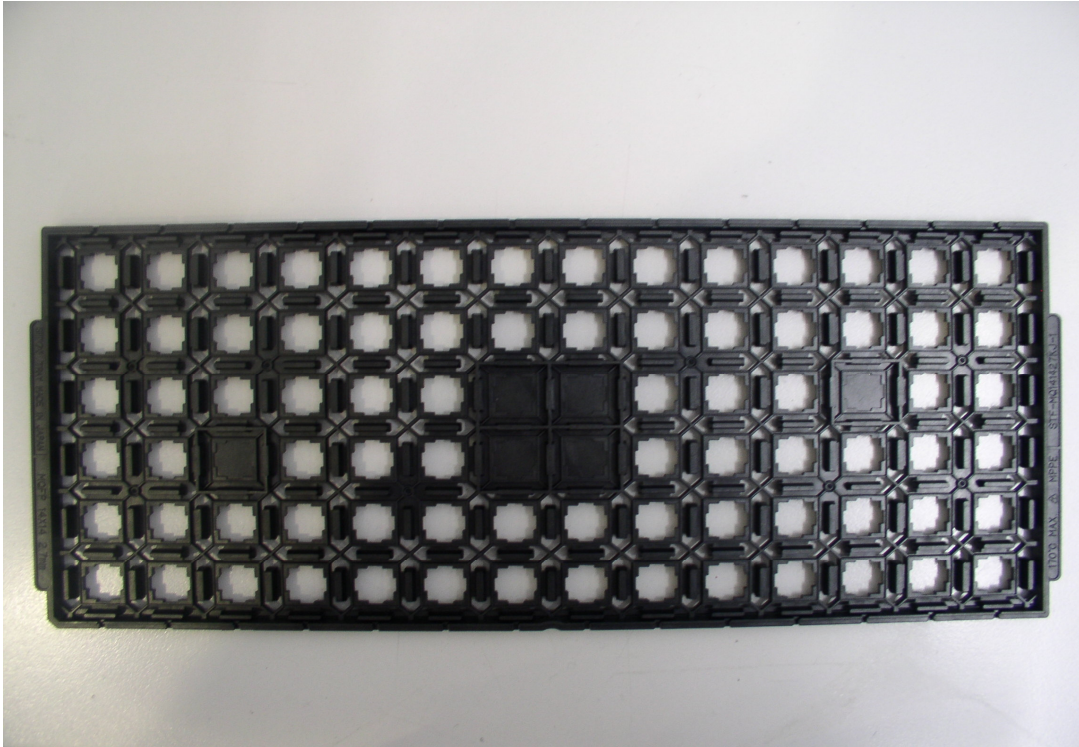
Description	Existing Shipping Tray	New Shipping Tray
Supplier	Shinon	NK Tech
Supplier Part Number	STF-MQ141427LD-1	TMHT-061402-02
IDT Part Number	P7-148-000	P7-229-000
Tray Matrix	6 X 14	6 X 14
Qty per Tray	84 units	84 units
Rating Temperature	150°C	135°C
Tray Material	PPE + CF	PPE + CF
Pocket Size (WxL)	13.83 X 13.83 +/- 0.13 mm	13.92 X 13.92 +/- 0.07 mm
Tray Drawing Number	MSC-1717	MSC-5758



Integrated Device Technology, Inc.  
6024 Silver Creek Valley Road, San Jose, CA 95138

## PRODUCT/PROCESS CHANGE NOTICE (PCN)

### ATTACHMENT I - PCN #: TB0711-02



Existing Shipping Tray



New Shipping Tray



Integrated Device Technology, Inc.  
6024 Silver Creek Valley Road, San Jose, CA 95138

## PRODUCT/PROCESS CHANGE NOTICE (PCN)

### ATTACHMENT I - PCN #: TB0711-02

**Qualification Plan #:** BC07-07-06

**Qualification Test Plan and Result:**

Qualification Test and Conditions	Reject / Sample Size	Result
5 Feet Drop Test (6 drops, 1 drop per side @ standard packing)	0/4 trays (336 units)	Pass
Manufacturability (IC Fitting, Trim & Form Machine, Vision System, Test Handler)	0/5 trays	Pass
Visual/Mechanical (Chip, crack, pit, incomplete fill, contamination, burr on tray pocket)	0/5 trays	Pass
Static Electricity Test (100 volts max)	0/5 trays	Pass
Surface Resistivity Test ( $1 \times 10^5$ to $1 \times 10^{11}$ ohms per sq)	0/5 trays	Pass
Dimensional (critical dimensions based on drawing)	0/5 trays	Pass
Bake Test (135°C@24 hours, bundled and singulated methods)	0/8 trays	Pass



Integrated Device Technology, Inc.  
6024 Silver Creek Valley Road, San Jose, CA 95138

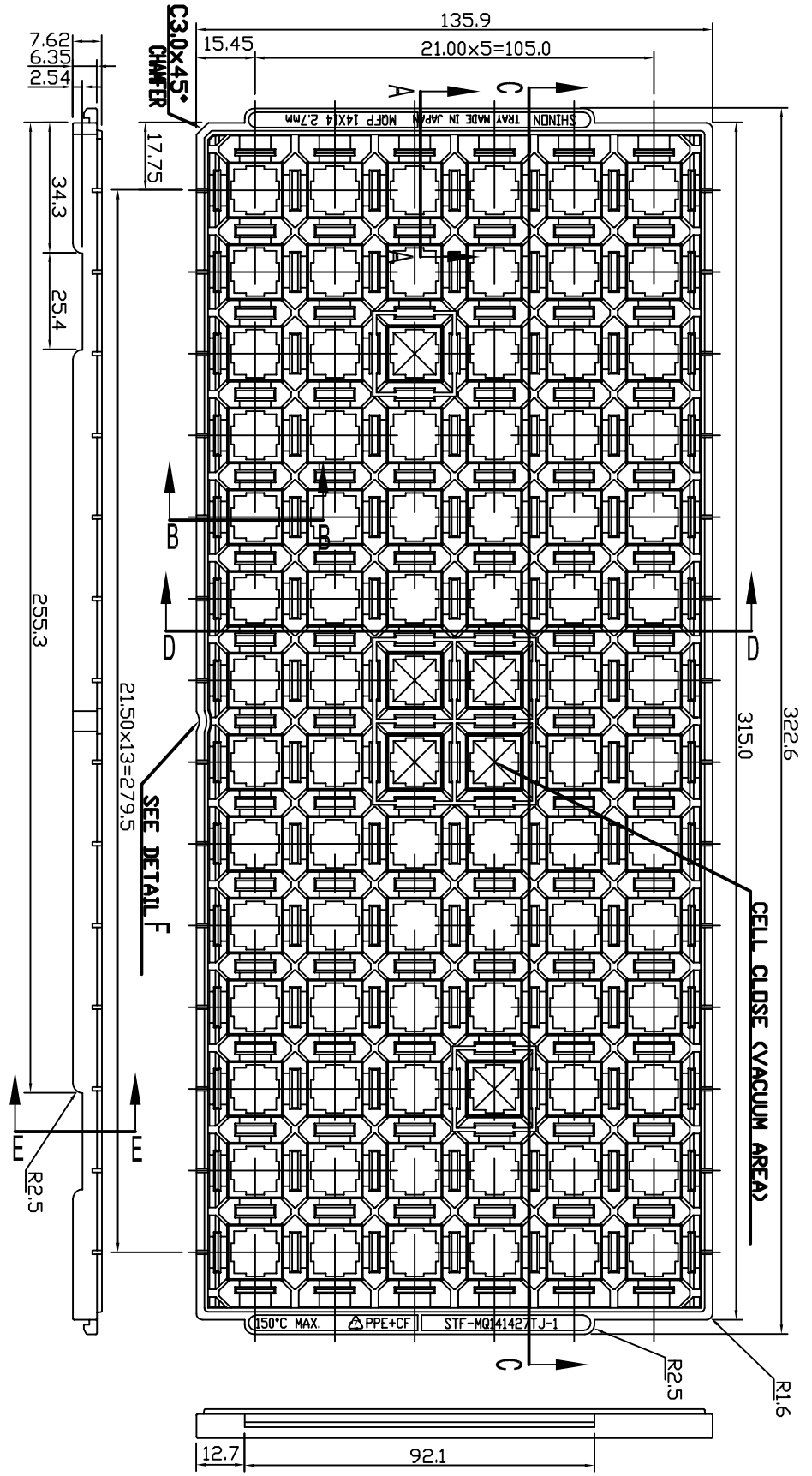
## **PRODUCT/PROCESS CHANGE NOTICE (PCN)**

### **ATTACHMENT II - PCN #: TB0711-02**

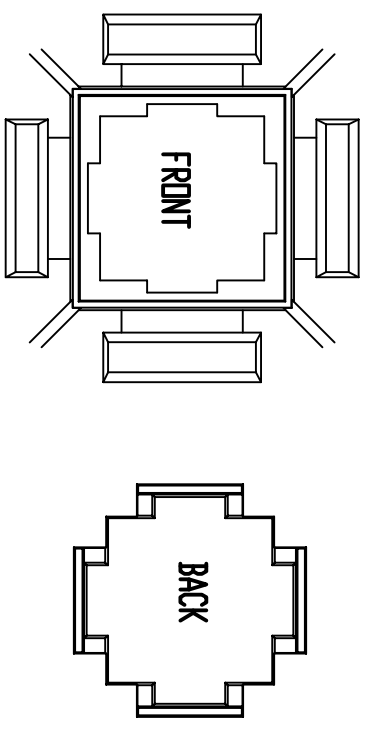
#### **Affected Part Number**

IDT821034DN  
IDT821034DNG

REVISIONS			
REV	DESCRIPTION	DATE	APPROVED
05	REMOVED END CLIP IMPLEMENTATION	06/21/06	KK Thee
06	ADDED NEW PACKAGE - DN/DNG 64	12/12/06	KK Thee




- NOTES : (UNLESS OTHERWISE SPECIFIED)
1. MATERIAL : PPE + CF (BLACK)
  2. ALL DIMENSIONS ARE IN mm.
  3. TEMPERATURE : 150°C MAX
  4. ESD SURFACE RESISTIVITY SHALL CONFORM TO IDT SPEC MSA-3032.
  5. SHIMON PART NUMBER : BLACK TRAY : STF-MQ141427JU-1  
RED TRAY : STF-MQ141427LD-1
  6. NUMBER OF POCKET : 6 X 14 = 84 POCKETS

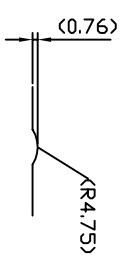
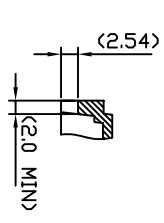
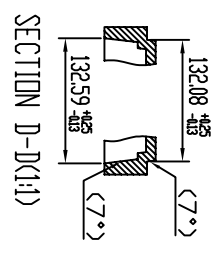
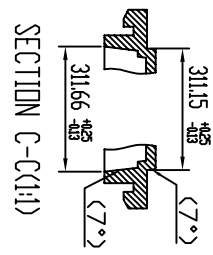
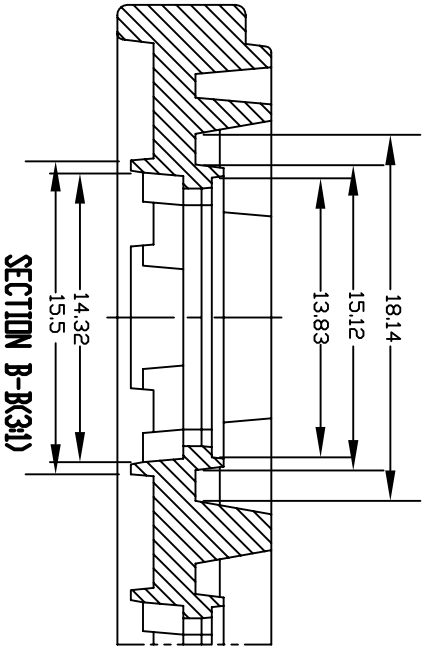
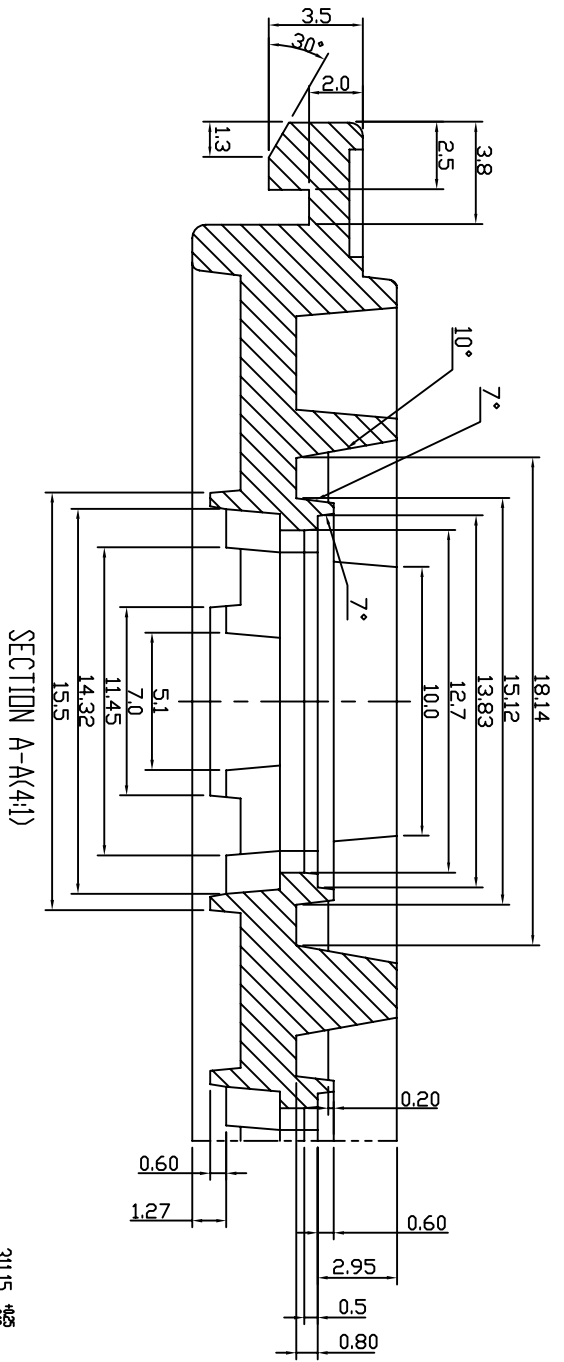


CELL VIEW(2/1)

TOLERANCES UNLESS OTHERWISE SPECIFIED		DECIMALS		ANGLE	
XXX ±.13		XX ±.13		X ±.13	
APPROVALS		DATE			
DRAWN				TITLE:	
CHECKED				DN/DNG 52/64	
				SHIPPING TRAY	
STOCK NO.		DRAWING NO.		SCALE	
P7-148-000		MSC-1717		N/A	
DO NOT SCALE DRAWING		SHEET 1 OF 2		REV	
				B	


**6024 Silver Creek Valley Road,**  
 San Jose, CA 95138  
 PHONE: (408) 284-8200  
 FAX: (408) 284-5572  
[www.IDT.com](http://www.IDT.com)

REVISIONS			
REV	DESCRIPTION	DATE	APPROVED
05	REMOVED END CLIP IMPLEMENTATION	06/21/06	KK Three
06	ADDED NEW PACKAGE - DN/DNG 64	12/12/06	KK Three



SECTION E-E(1:1)

NOTE: SCALLOP IS CENTERED ON SIDE OF TRAY.  
DETAIL F(1:1)

TRAY PURCHASING INFORMATION

\* VENDOR & TRAY DESIGNATOR

SHINDEN TRAY MADE IN JAPAN MQFP 14X14 2.7mm

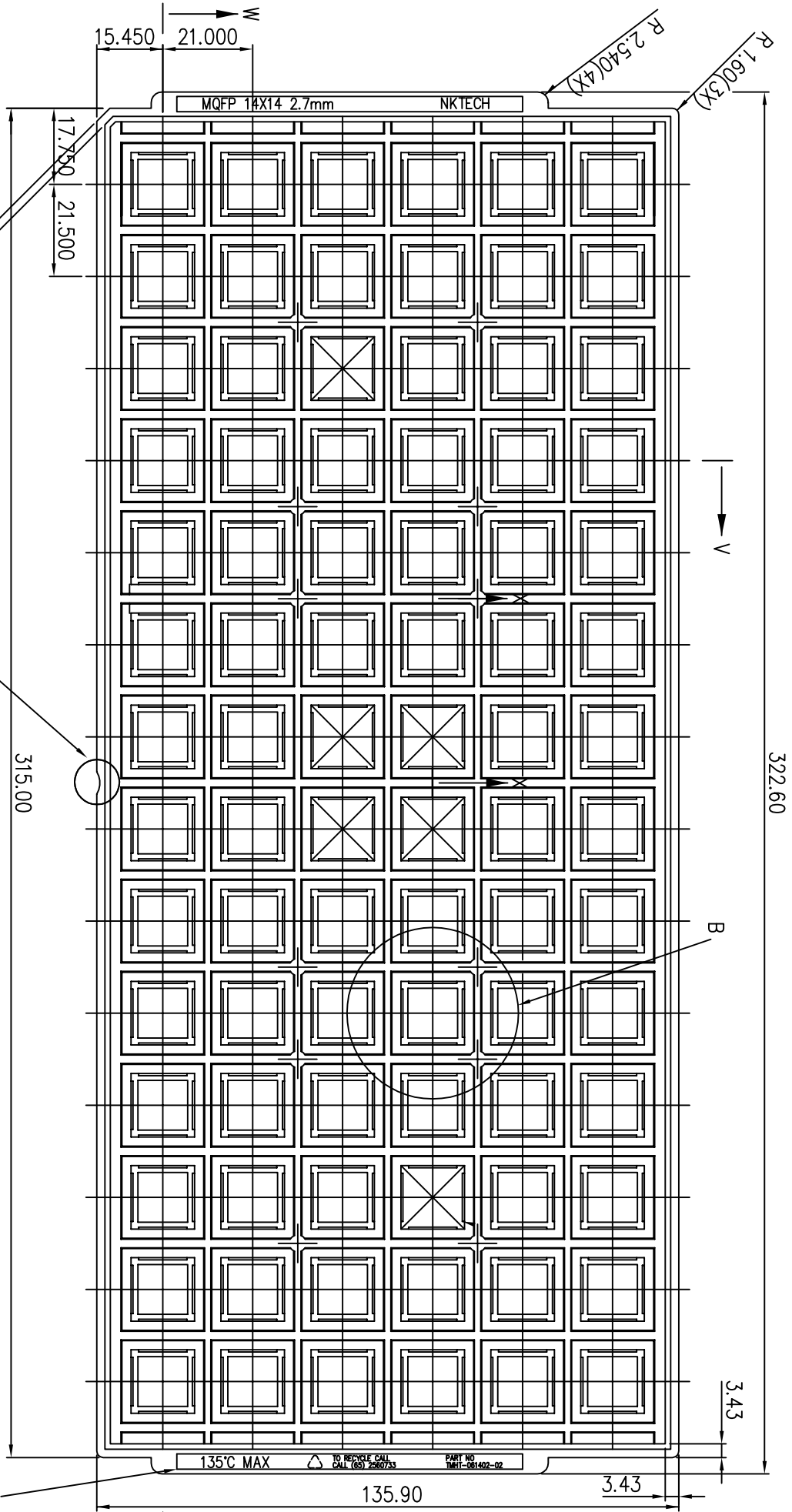
\* TEMPERATURE RATING & RECYCLE MARK & MATERIAL & PART NUMBER

150°C MAX. PPE+CF STF-MQ141427J-1

TOLERANCES UNLESS OTHERWISE SPECIFIED		ANGLE ±.5°	
DECIMALS	XX ±.13	XX ±.13	
APPROVALS	DATE	TITLE: DN/DNG 52/64 SHIPPING TRAY	
DRAWN		SCALE N/A	
CHECKED		REV B	
STOCK NO. P7-148-000		DRAWING NO. MSC-1717	
DO NOT SCALE DRAWING		SHEET 2 OF 2	


6024 Silver Creek Valley Road,  
San Jose, CA 95138  
PHONE: (408) 284-8200  
FAX: (408) 284-3572  
www.IDT.com

REVISIONS			
REV	DESCRIPTION	DATE	APPROVED
00	INITIAL RELEASE	08/02/07	KK Thee



- NOTES : (UNLESS OTHERWISE SPECIFIED)
1. MATERIAL : PPE+CF (BLACK)
  2. ALL DIMENSIONS ARE IN mm.
  3. TEMPERATURE : 135°C MAX
  4. ESD SURFACE RESISTIVITY SHALL CONFORM TO IDT SPEC MSA-3032.
  5. NEPTUNE PART NUMBER : TMHT-061402-02
  6. NUMBER OF POCKET : 6 X 14 = 84 POCKETS

TOLERANCES UNLESS OTHERWISE SPECIFIED		DECIMAL		ANGLE	
.X		±.25		±.5°	
.XX		±.13			
.XXX		±.13			
APPROVALS	DATE	www.IDT.com			
DRAWN		TITLE: DN/DNG 52/64 SHIPPING TRAY			
CHECKED		STOCK NO. P7-229-0001 MSC-5758			
		DRAWING NO. 00			
FILE: MSCI7011		DO NOT SCALE DRAWING SHEET 1 OF 4			



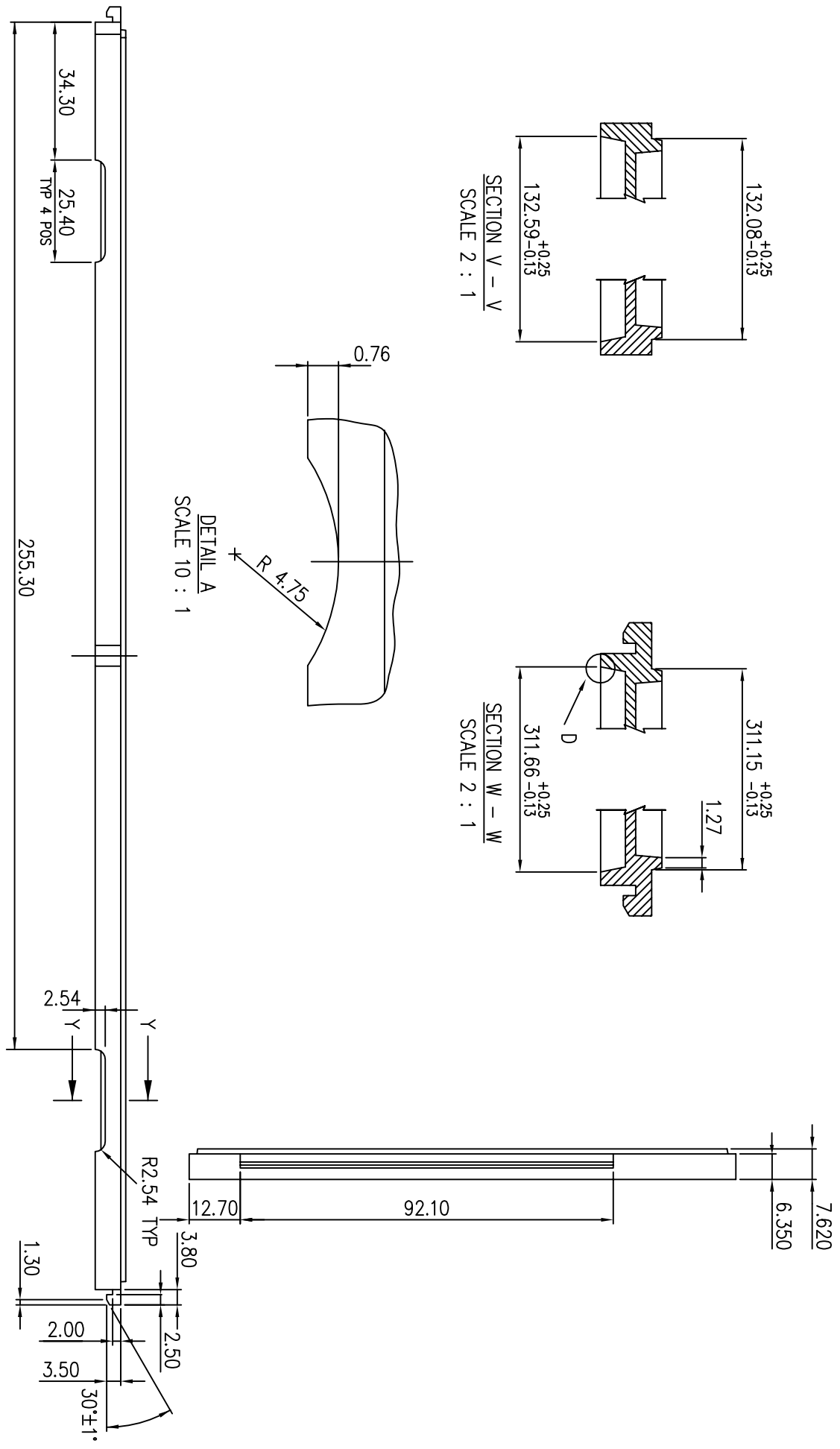
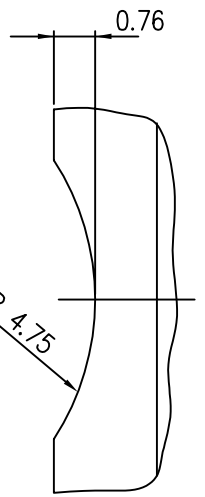
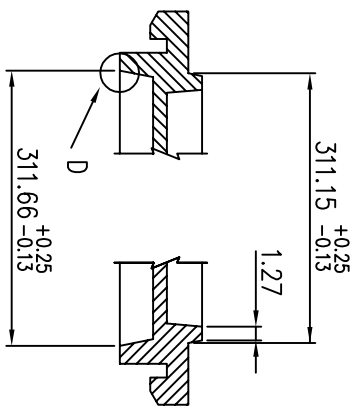
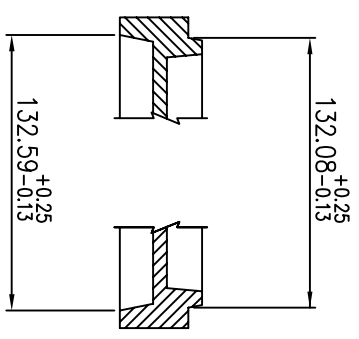
6024 Silver Creek Valley Road  
San Jose, CA 95138  
PHONE: (408) 284-8200  
FAX: (408) 284-3572

TEMPERATURE RATING FOR  
MAXIMUM BAKING TEMP.

135°C MAX



REVISIONS			
REV	DESCRIPTION	DATE	APPROVED
00	INITIAL RELEASE	08/02/07	KK Thee



TOLERANCES UNLESS OTHERWISE SPECIFIED  
DECIMALS .XX ±.13  
.XXX ±.13

ANGLE ±.5°

APPROVALS DATE

DRAWN

CHECKED

FILE: MSC17011

www.IDT.com

**IDT** 6024 Silver Creek Valley Road, San Jose, CA 95138  
PHONE: (408) 284-8200  
FAX: (408) 284-3572

TITLE: DN/DNG 52/64 SHIPPING TRAY

STOCK NO. P7-229-0001 MSC-5758

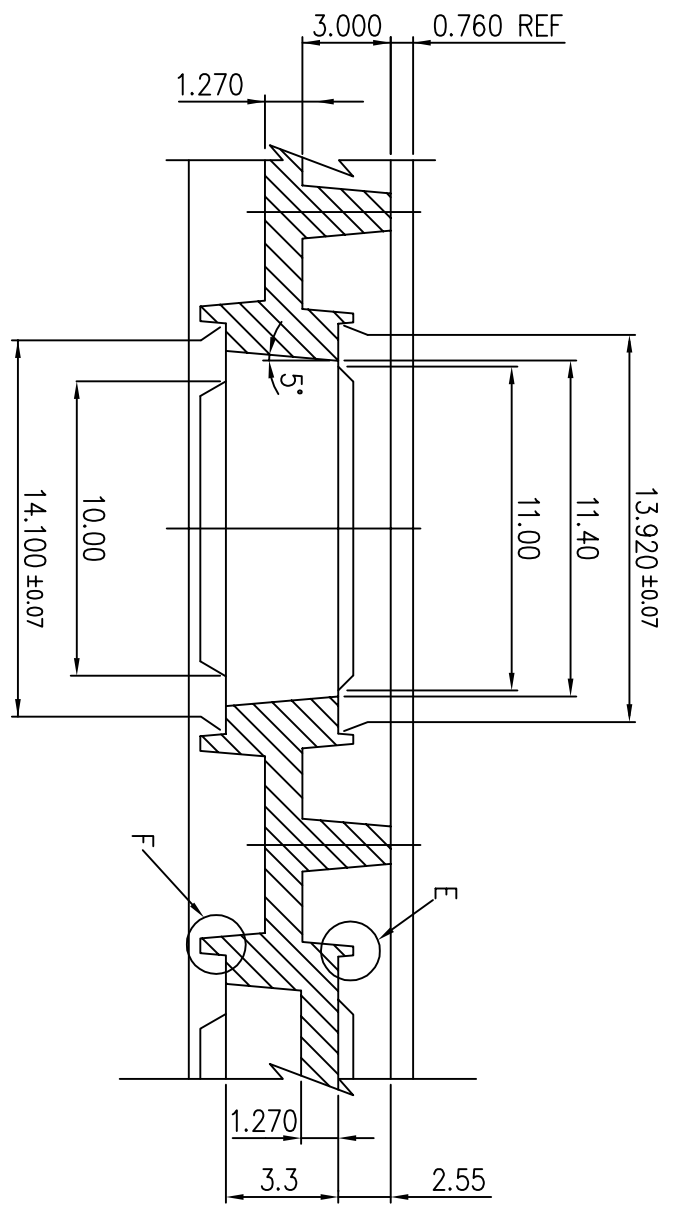
DRAWING NO. 00

REV B

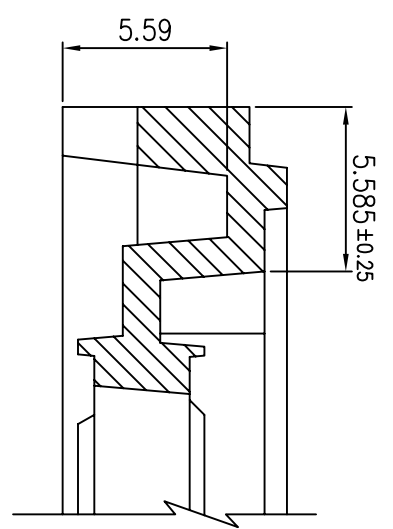
SCALE N/A

DO NOT SCALE DRAWING SHEET 2 OF 4

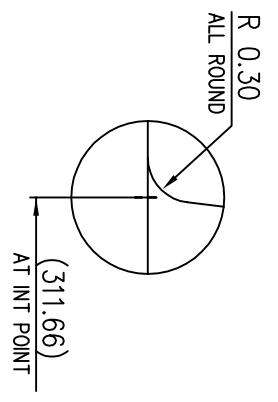
REVISIONS			
REV	DESCRIPTION	DATE	APPROVED
00	INITIAL RELEASE	08/02/07	KK Three



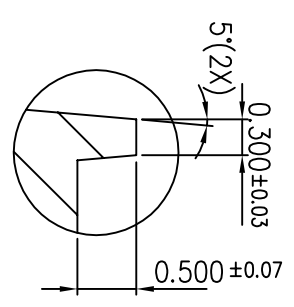
SECTION X - X  
SCALE 5 : 1



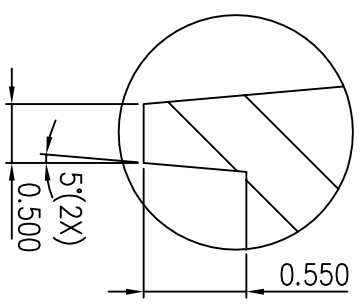
SECTION Y-Y  
SCALE 5 : 1



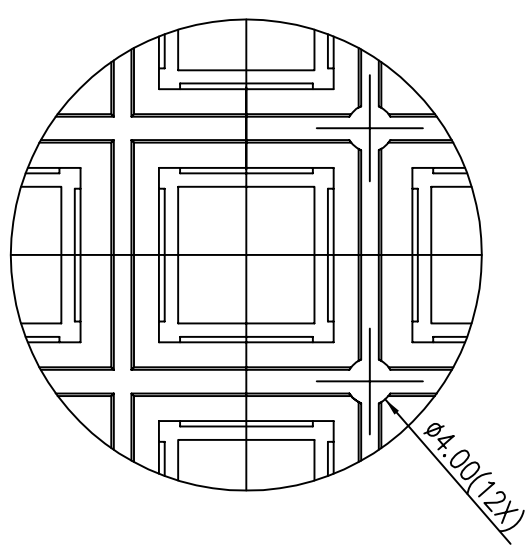
DETAIL D  
SCALE 20 : 1



DETAIL E  
SCALE 20 : 1



DETAIL F  
SCALE 20 : 1



DETAIL B  
SCALE 2:1

TOLERANCES UNLESS OTHERWISE SPECIFIED  
 DECIMALS .XX ±.13  
 .XXX ±.13  
 ANGLES ±.5°

APPROVALS DATE

DRAWN

CHECKED

STOCK NO. P7-229-0001 MSC-5758

DRAWING NO. 00

REV B

SCALE N/A

SIZE B

REV 00

FILE: MSC1701

DO NOT SCALE DRAWING

SHEET 3 OF 4

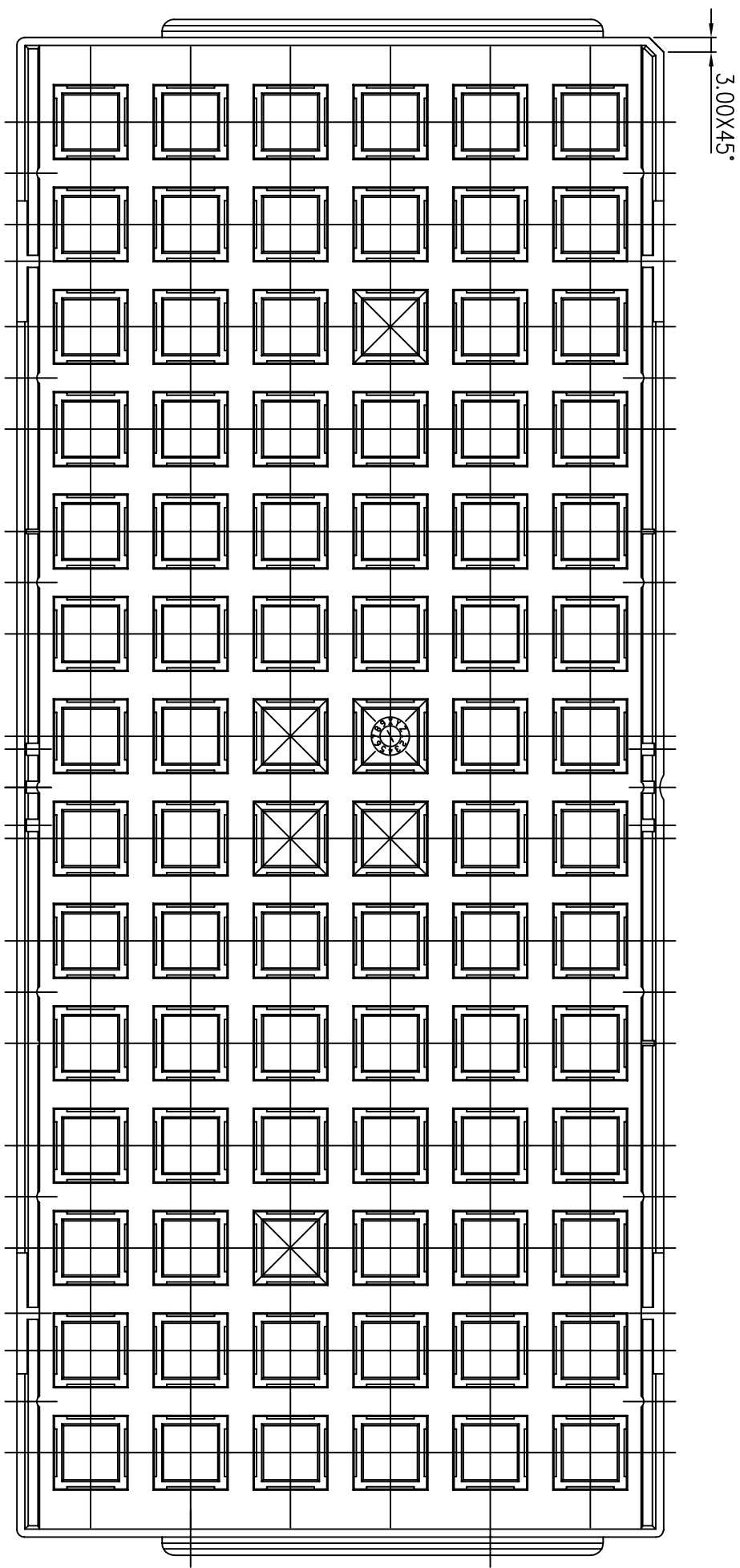


6024 Silver Creek Valley Road  
 San Jose, CA 95138  
 PHONE: (408) 284-8200  
 FAX: (408) 284-3572

WWW.IDT.COM

TITLE: DN/DNG 52/64 SHIPPING TRAY

REVISIONS			
REV	DESCRIPTION	DATE	APPROVED
00	INITIAL RELEASE	08/02/07	KK Thee



TOLERANCES UNLESS OTHERWISE SPECIFIED  
 DECIMALS .X ±.25  
 .XX ±.13  
 .XXX ±.13  
 ANGLE ±.5°

APPROVALS \_\_\_\_\_ DATE \_\_\_\_\_

DRAWN \_\_\_\_\_

CHECKED \_\_\_\_\_

STOCK NO. \_\_\_\_\_ DRAWING NO. \_\_\_\_\_

P7-229-000 MSC-5758 00

DO NOT SCALE DRAWING SHEET 4 OF 4

**IDT** 6024 Silver Creek Valley Road  
 San Jose, CA 95138  
 PHONE: (408) 284-8200  
 FAX: (408) 284-3572  
[www.IDT.com](http://www.IDT.com)

FILE: MSC1701

TITLE: DN/DNG 52/64 SHIPPING TRAY

SCALE: N/A

SIZE: B