

# RA Ecosystem Partner Solution

## High-Speed Wi-Fi Cloud Connectivity Solution



### Solution Summary

AltoBeam is a Wi-Fi chip & module vendor. The Wi-Fi module features a highly integrated 802.11b/g/n WLAN SoC with SDIO interface (SDIO2.0 compliant) to enable easy cloud connectivity for IoT edge devices. Works out-of-box with [RA MCUs](#). Learn more at <http://www.altobeam.com/en/index.html>

### Features/Benefits

- WLAN MAC, 1T1R capable WLAN baseband and WLAN RF in a single chip
- Integrated PA, LNA, Balun, and T/R switch to minimize BOM
- Integrated LDO to simplify power source, requiring only 3.3V
- Compatible 802.11b/g/n/i/e/w specifications
- Supports both 20MHz and 40Mhz bandwidth transmission
- 4x4 mm<sup>2</sup>, 28-pin QFN package with on-chip 32.768 crystal

### Diagrams/Graphics

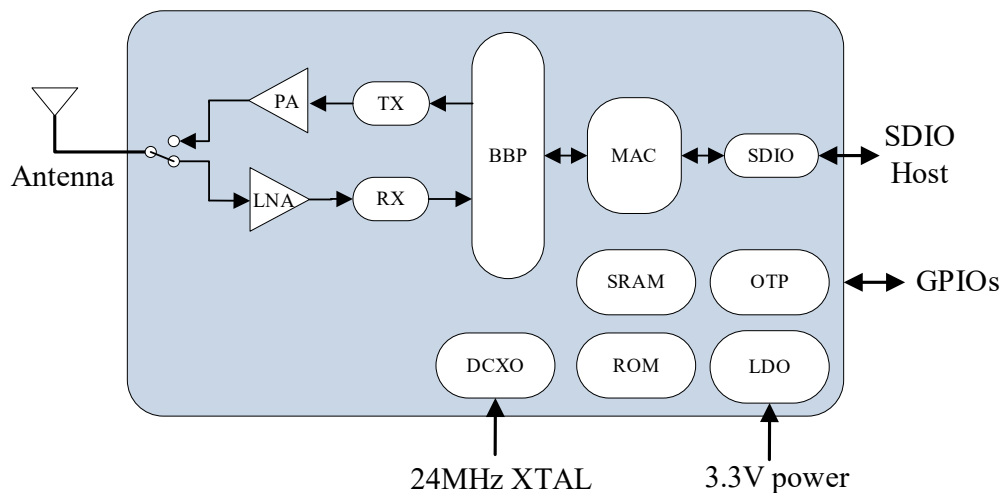


Figure: AltoBeam Wi-Fi Chip/Module Block Diagram

### Target Markets and Applications

- Smart Home
- Smart Lighting
- Industrial Equipment
- Smart Health
- Intelligent Lock/ Doorbell
- IP Camera

**Corporate:** AltoBeam (China) Inc.

**Address:** B808, Tsinghua Tongfang Hi-Tech Plaza, Haidian District, Beijing, China 100083

<http://www.altobeam.com/en/index.html>

2020.07