

RX Ecosystem Partner Solution

Commotech Technical Service for Electronic Scale



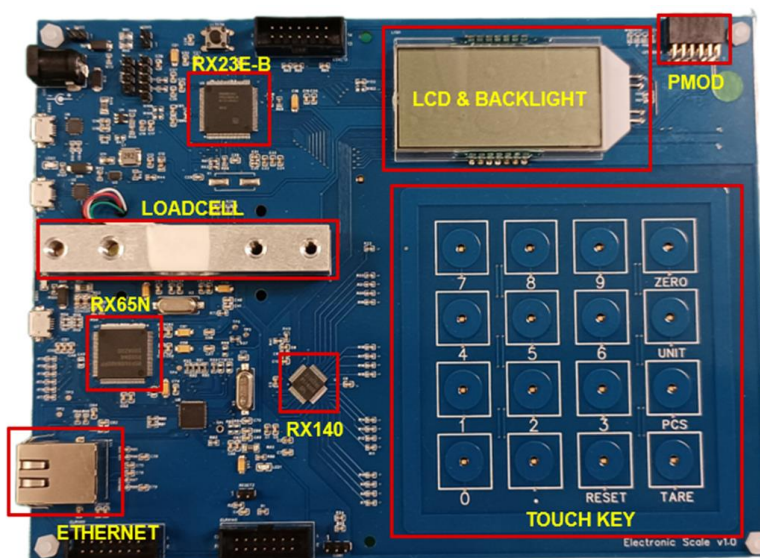
Solution Summary

Commotech technical service for electronic scale applications leverages the built-in analog front end (AFE) of the [RX23E-B 32-bit MCU](#) to integrate multiple peripherals required for advanced weight scale designs helping customers to smoothly develop and release their product to the market. The related reference design board includes all peripherals required for evaluation and development.

Features/Benefits

- Customize system according to customer's design requirements
- The reference design board includes loadcell, LCD display, touch keypad and USB and Ethernet connectivity
- Equipped with weighting with tare function and counting to display the unit price
- Optimized BOM with Renesas [RX140](#), [RX65N](#) as well as RX23E-B MCUs

Diagrams/Graphics



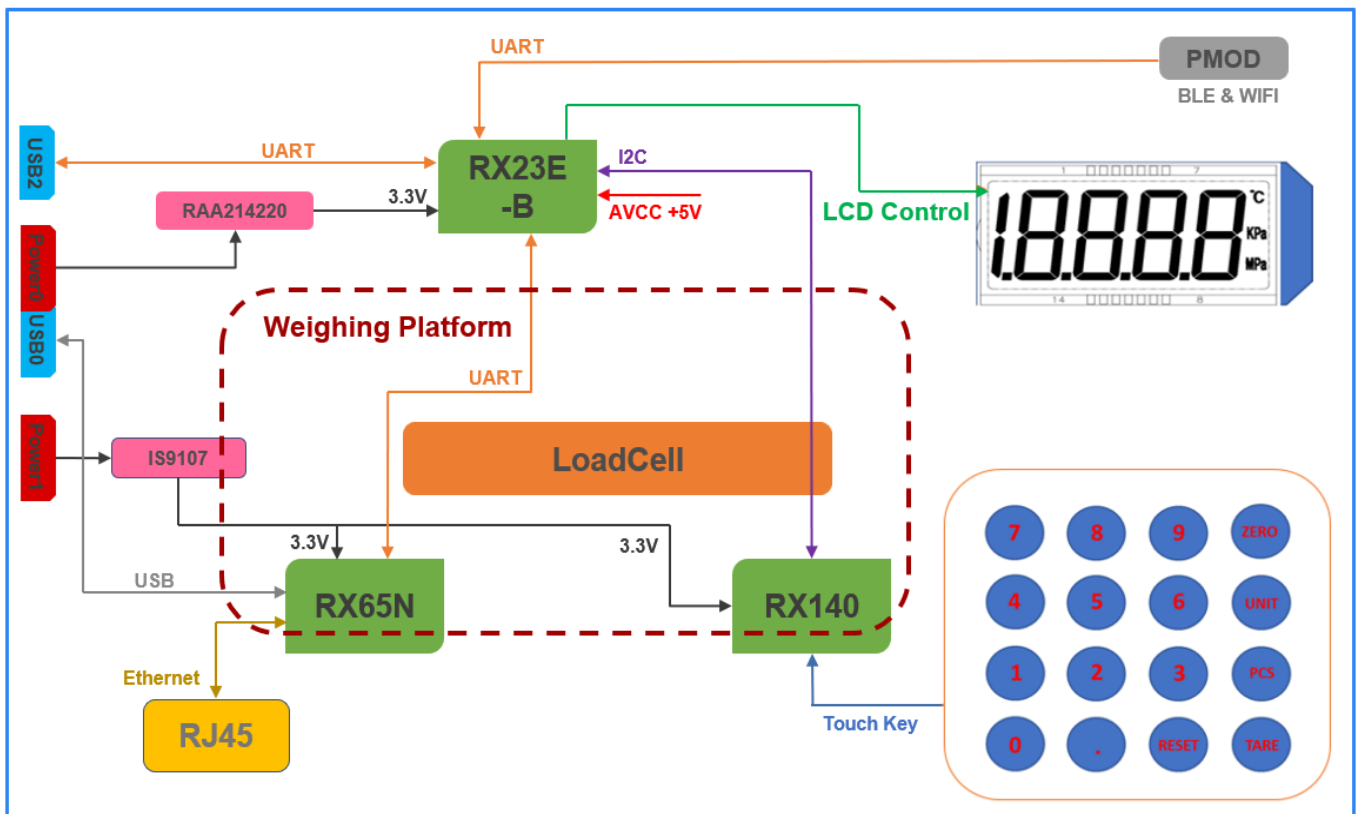
Target Markets and Applications

- Industrial controls
- Home appliances
- Consumer electronics
- Smart home/ IoT
- Medical devices

www.commotech.com.tw/application/detail/rx-ecosystem-partner-solution-commotech-tech-service-for-electronic-scale

■ Electronic scale Reference Board

- RX140 – Touch-key & proximity detection
- RX23E-B – Load Cell Measurement & LCD display
- RX65N – USB & Ethernet communication
- Pmod for WIFI & BLE module
- Displaying data and waveforms on the computer via USB
- Equipped with weighing pricing, counting, and tare functions



About Commotech:

For recent years, Commotech pace on improving LED dimming control technical supporting scheme, and provides from development to mass production service to famous customers on gaming PC, MB, VGA, fan, CAP Touch, BLE and related peripherals. Commotech solution integrated LED control MCU with PC GUI software and OBM's certification which can help customers to provide end products time to market.

In addition, Commotech cooperated with customers to develop multi-pack Li-ion battery charger with significant sales result, if there is a requirement for low power component, Commotech can also be your choice. sales@commotec.com.tw