

SmartBeat DA7403 mono codec with wideband digital ANC and 2 mic beamforming

Outstanding audio and battery lifetime for wired and wireless earbuds

From gaming and virtual reality to watching movies and listening to music, people are enjoying audio on the move more and more. And they expect crystal-clear sound everywhere. The SmartBeat DA7403 lets you deliver high-resolution headphones and headsets to impress even the most demanding user. It combines industry leading audio and wideband hybrid digital active noise cancellation (ANC) and 2 mic beamforming in a space-saving solution whose low power consumption could enable longer playback times.

The SmartBeat DA7403 is a high-performance, ultra-low-power mono hi-fi codec. Featuring Dialog's custom digital hybrid ANC technology, it offers stronger suppression of ambient noise over a wider range of frequencies for the best user experience in any environment.

With its integrated audio processor, the DA7403 delivers excellent audio performance including dynamic ranges for playback and record of 115 dB and 103 dB respectively and sampling rates up to 384 kHz. It also offers 40 kHz audio bandwidth to support Hi-Res Audio. All this while consuming just 7.9 mW during mono playback with ANC and 2 mic beamforming.

The SmartBeat DA7403 is available in a choice of compact packages to meet the needs of even the most space-constrained applications. Moreover, it is part of a family of pin-compatible codecs, making it easier for you to develop a complete portfolio of earbud solutions for any application.

Applications

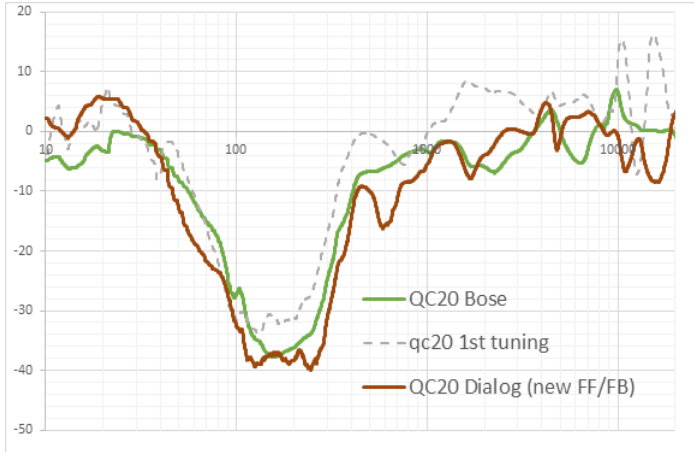
- Wireless (Bluetooth) earbuds
- Wired (USB-C) earbuds

Benefits

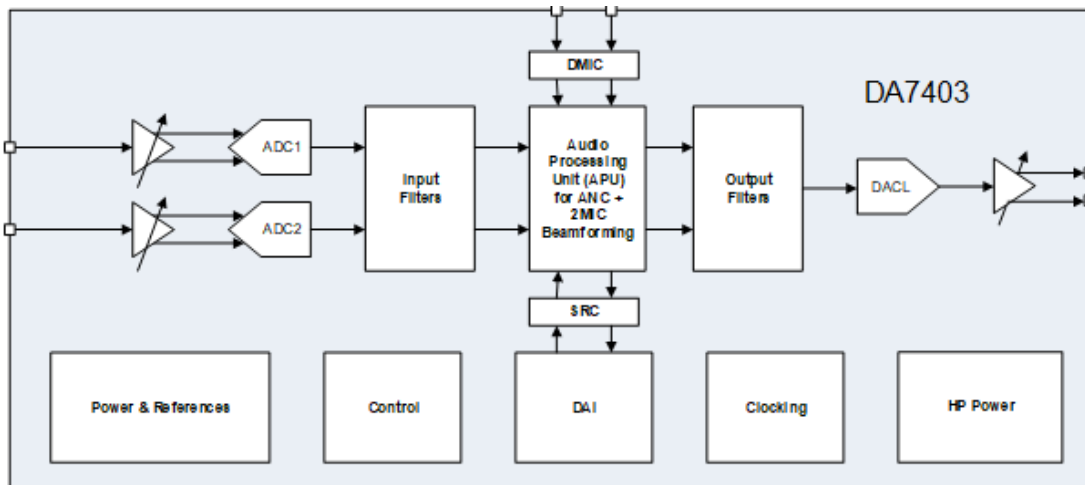
- Superior audio performance
- World-class magnitude and range of ambient noise suppression
- Class-leading low power consumption
- Highly compact footprint
- Reduced external component count
- Development kit and extensive tooling speed product development
- Family of pin-compatible variants simplifies creation of a complete portfolio

Wideband digital hybrid ANC

The DA7403 features our proprietary digital ANC technology that can be configured to work in feedback, feedforward or a novel hybrid mode. In hybrid mode it delivers best-in-class ambient noise suppression in terms of both magnitude (upto 35 dB at 100 Hz) and frequency range (over 2.5 kHz).



Key to this performance is a custom DSP that is optimized for ANC and enables an input-to-output latency of just 25 μ s. Meanwhile a dedicated fast equalization (FEQ) path operating at the digital microphone (DMIC) clock rate improves cancellation at high frequencies.



Tailored support

Dialog offers all the tools and support you need to develop new DA7403-based applications fast. This includes the option for hand-on support from experts in our audio labs in Europe and South East Asia.

Development kit

The DA7403 development kit contains all the hardware you need to explore the potential of this high-performance ANC codec for yourself. The motherboard includes the codec and a DA14195 co-processor, while the daughterboard features the DA7403 in your choice of package.

Development tools

We also offer an extensive range of tools covering the whole development cycle to help you design and tune your hardware and software. They include a semi-automatic ANC tuning tool to simplify and speed up the optimization of your ANC configuration. In addition, an easy-to-use production line calibration tool helps you compensate for tolerances within commercial microphones to ensure consistently great performance in every product you make.

Key features

- Wideband digital active noise cancellation:
 - Supports hybrid, feedforward and feedback topologies
 - Upto 35 dB cancellation at 200 Hz
 - Over 2.5 kHz suppression range
 - 25 μ s input-to-output latency
 - Dedicated calibration and tuning tool
- 2 mic beamforming
- Ultra-low power consumption
 - 10 mW stereo hybrid ANC playback
- Enhanced audio performance
 - 115 dB playback dynamic range
 - 103 dB record dynamic range
 - 40 kHz bandwidth supports Hi-Res Audio
- 4-wire digital audio interface with support for I²S, TDM and other common audio formats
 - Up to 32 bits per channel
 - Up to 384 kHz sample rate support
- Three stereo PDM inputs for digital microphones and low latency connection from host processors
- Integrated low-noise microphone bias
- Flexible DSP supporting mixing, gain, equalization, sidetone, and automatic gain control
- Bypassable asynchronous sample-rate converters
- Clocking
 - Programmable fractional-N phase-locked loop (PLL)
 - Sample rate tracking
 - MCLK free option
- 2-wire I²C compatible control interface
- WLCSP package:
 - 32-ball 3.2 mm x 1.6 mm, 0.4 mm pitch WLCSP

IMPORTANT NOTICE AND DISCLAIMER

RENESAS ELECTRONICS CORPORATION AND ITS SUBSIDIARIES (“RENESAS”) PROVIDES TECHNICAL SPECIFICATIONS AND RELIABILITY DATA (INCLUDING DATASHEETS), DESIGN RESOURCES (INCLUDING REFERENCE DESIGNS), APPLICATION OR OTHER DESIGN ADVICE, WEB TOOLS, SAFETY INFORMATION, AND OTHER RESOURCES “AS IS” AND WITH ALL FAULTS, AND DISCLAIMS ALL WARRANTIES, EXPRESS OR IMPLIED, INCLUDING, WITHOUT LIMITATION, ANY IMPLIED WARRANTIES OF MERCHANTABILITY, FITNESS FOR A PARTICULAR PURPOSE, OR NON-INFRINGEMENT OF THIRD-PARTY INTELLECTUAL PROPERTY RIGHTS.

These resources are intended for developers who are designing with Renesas products. You are solely responsible for (1) selecting the appropriate products for your application, (2) designing, validating, and testing your application, and (3) ensuring your application meets applicable standards, and any other safety, security, or other requirements. These resources are subject to change without notice. Renesas grants you permission to use these resources only to develop an application that uses Renesas products. Other reproduction or use of these resources is strictly prohibited. No license is granted to any other Renesas intellectual property or to any third-party intellectual property. Renesas disclaims responsibility for, and you will fully indemnify Renesas and its representatives against, any claims, damages, costs, losses, or liabilities arising from your use of these resources. Renesas' products are provided only subject to Renesas' Terms and Conditions of Sale or other applicable terms agreed to in writing. No use of any Renesas resources expands or otherwise alters any applicable warranties or warranty disclaimers for these products.

(Disclaimer Rev.1.01 Jan 2024)

Corporate Headquarters

TOYOSU FORESIA, 3-2-24 Toyosu,
Koto-ku, Tokyo 135-0061, Japan
www.renesas.com

Trademarks

Renesas and the Renesas logo are trademarks of Renesas Electronics Corporation. All trademarks and registered trademarks are the property of their respective owners.

Contact Information

For further information on a product, technology, the most up-to-date version of a document, or your nearest sales office, please visit www.renesas.com/contact-us/.