

Off-Line Digital Power Controller for LED Driver with High-Power Factor and Low-Ripple Current

1 Description

The iW3626 is a high performance, single-stage AC/DC power controller for LED luminaires with power factor (PF) correction. The device uses digital control technology to build unique hybrid mode control in PWM flyback power supplies to achieve high power factor meanwhile minimizing LED current ripple. This distinctive control approach enables the capability for users to make trade-offs between PF and LED current ripple in a single-stage design. It can achieve excellent LED current regulation over line and load variation, without the need for secondary feedback circuit. The built-in temperature sensor along with control logic can automatically adjust output current in real-time without visible flicker during the process. The iW3626 operates in quasi-resonant mode to provide high efficiency along with a number of key built-in protection features while minimizing the external component count, simplifying EMI design, and lowering the total bill of material cost. It also eliminates the need for loop compensation components while maintaining stability over all operating conditions. The built-in power limit function enables optimized transformer design in universal off-line applications with input voltage from 90V_{AC} to 277V_{AC}.

Dialog's innovative proprietary technology maximizes the iW3626 performance in a tiny SOT-23 package. The iW3626 offers two multi-function pins allowing users to configure PF and OTP as required with no cost or size impact, thereby providing design flexibility. The active start-up scheme enables the shortest possible start-up time without sacrificing active efficiency.

2 Features

- All-in-one non-dimmable low-cost off-line LED driver (isolated and non-isolated applications)
- Supports universal input voltage range (90V_{AC} to 277V_{AC}) and output power up to 10W
- High power factor (PF) with low current-ripple control technology
- User-configurable power factor setting (>0.7 to >0.9)
- User-configurable over-temperature protection (OTP) with temperature-current derating
- Very tight LED current regulation ($\pm 5\%$) across line and load, and within primary inductance tolerance ($\pm 20\%$)
- Isolated design without opto-coupler
- Supports wide range of LED numbers with tight current regulation
- Stabilized LED current-ripple control without visible shimmer or flicker
- Active start-up scheme enables fastest possible start-up
- 72kHz maximum PWM switching frequency with quasi-resonant operation
- Dynamic base current control to drive low-cost BJT
- **EZ-EMI**[®] design enhances manufacturability
- Built-in single-point fault protection features: LED open-/short-circuit protection and over-current protection
- No audible noise over entire operating range

3 Applications

- Solid-state LED lighting
- LED lighting ballast

Off-Line Digital Power Controller for LED Driver with High-Power Factor and Low-Ripple Current

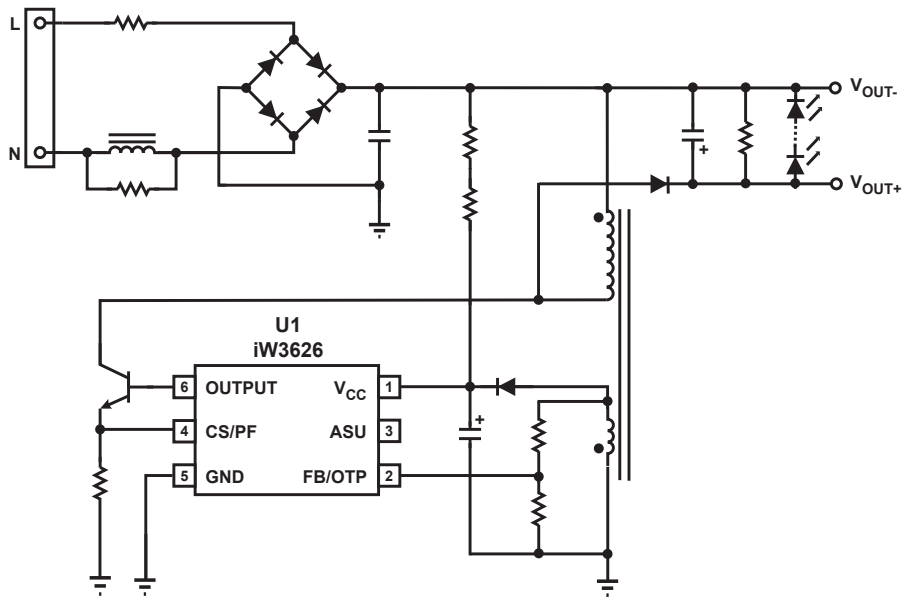


Figure 3.1 : iW3626 Typical Application Circuit (Non-isolated Application)

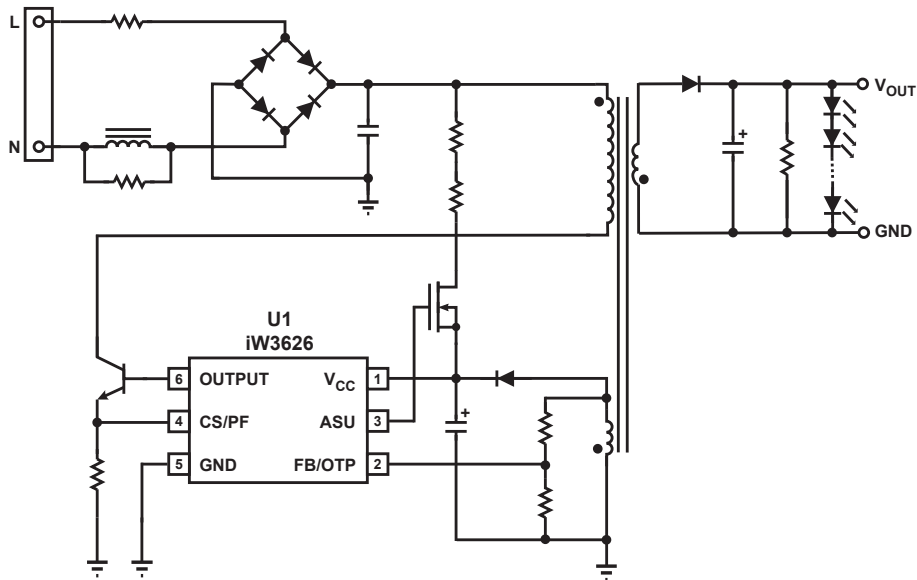


Figure 3.2 : iW3626 Typical Application Circuit (Isolated Application)

Off-Line Digital Power Controller for LED Driver with High-Power Factor and Low-Ripple Current

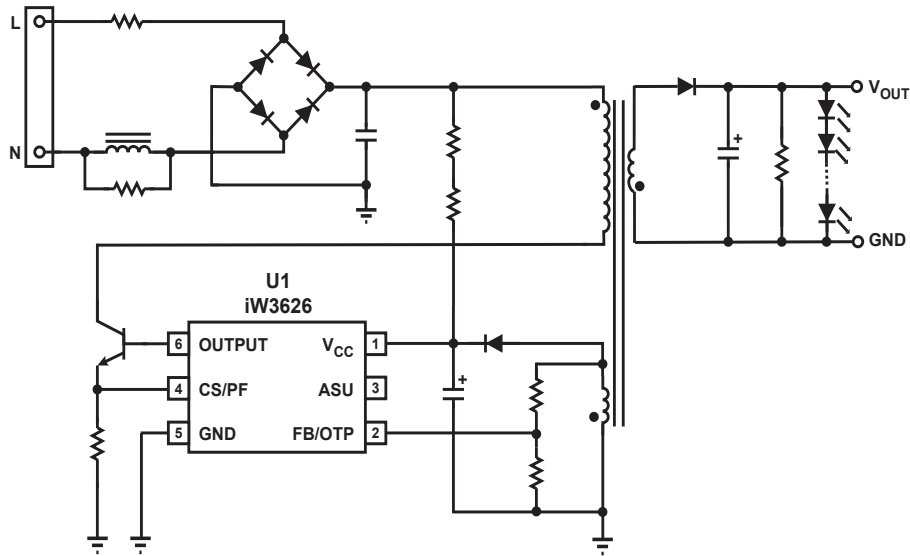


Figure 3.3 : iW3626 Typical Application Circuit (Isolated Application without Using Active Start-up Device)

Off-Line Digital Power Controller for LED Driver with High-Power Factor and Low-Ripple Current

5 Pinout Description

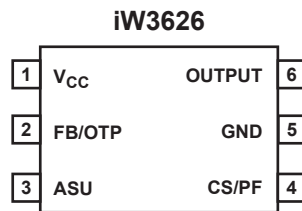


Figure 5.1 : 6-Pin SOT23 Package

| Pin No. | Pin Name | Type | Pin Description |
|---------|-----------------|--------------|--|
| 1 | V _{CC} | Power Input | Power supply for control logic and BJT drive. |
| 2 | FB/OTP | Analog Input | Multi-function pin. Used for OTP current derating configuration at the beginning of start-up and to provide auxiliary voltage sense for primary regulation during normal operation. |
| 3 | ASU | Output | Control signal for active start-up device (BJT or depletion mode NFET). |
| 4 | CS/PF | Analog Input | Multi-function pin. Used for PF configuration at the beginning of start-up and to provide primary current sense for cycle-by-cycle peak current control and limit during normal operation. |
| 5 | GND | Ground | Ground. |
| 6 | OUTPUT | Output | Base drive for BJT. |

4 Absolute Maximum Ratings

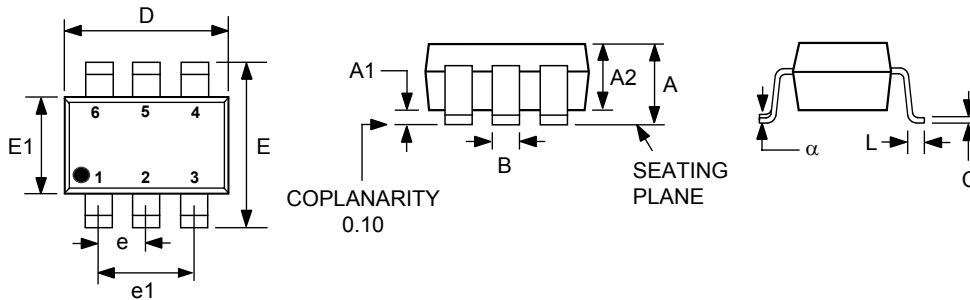
Absolute maximum ratings are the parameter values or ranges which can cause permanent damage if exceeded.

| Parameter | Symbol | Value | Units |
|---|-------------------|--------------|-------|
| DC supply voltage range (pin 1, I _{CC} = 20mA max) | V _{CC} | -0.3 to 18.0 | V |
| Continuous DC supply current at V _{CC} pin (V _{CC} = 15V) | I _{CC} | 20 | mA |
| ASU output (pin 3) | | -0.3 to 18.0 | V |
| OUTPUT (pin 6) | | -0.3 to 4.0 | V |
| FB/OTP input (pin 2, I _{FB/OTP} ≤ 10mA) | | -0.7 to 4.0 | V |
| CS/PF input (pin 4) | | -0.3 to 4.0 | V |
| Maximum junction temperature | T _{JMAX} | 150 | °C |
| Operating junction temperature | T _{JOPT} | -40 to 150 | °C |
| Storage temperature | T _{STG} | -65 to 150 | °C |
| Thermal resistance junction-to-ambient | θ _{JA} | 190 | °C/W |
| ESD rating per JEDEC JESD22-A114 | | ±2,000 | V |
| Latch-up test per JESD78A | | ±100 | mA |

Off-Line Digital Power Controller for LED Driver with High-Power Factor and Low-Ripple Current

6 Physical Dimensions

6-Lead SOT Package



| Symbol | Millimeters | |
|----------|-------------|------|
| | MIN | MAX |
| A | 0.90 | 1.45 |
| A1 | 0.00 | 0.15 |
| A2 | 0.90 | 1.30 |
| B | 0.30 | 0.50 |
| C | 0.09 | 0.20 |
| D | 2.80 | 3.00 |
| E | 2.60 | 3.00 |
| E1 | 1.50 | 1.75 |
| e | 0.95 BSC | |
| e1 | 1.90 BSC | |
| L | 0.30 | 0.55 |
| α | 0° | 8° |

Compliant to JEDEC Standard MO-178AB

Controlling dimensions are in millimeters

This package is RoHS compliant and Halide free.

Soldering Temperature Resistance:

- [a] Package is IPC/JEDEC Std 020D Moisture Sensitivity Level 1
- [b] Package exceeds JEDEC Std No. 22-A111 for Solder Immersion Resistance; packages can withstand 10 s immersion < 260°C

Dimension D does not include mold flash, protrusions or gate burrs. Mold flash, protrusions or gate burrs shall not exceed 0.25 mm per side.

The package top may be smaller than the package bottom. Dimensions D and E1 are determined at the outermost extremes of the plastic body exclusive of mold flash, tie bar burrs and interlead flash, but including any mismatch between top and bottom of the plastic body.

7 Ordering Information

| Part No. | Options | Package | Description |
|-----------|---|---------|--------------------------|
| iW3626-00 | Maximum driver current = 40mA, wide V_{OUT} range | SOT-23 | Tape & Reel ¹ |
| iW3626-02 | Maximum driver current = 50mA, wide V_{OUT} range | SOT-23 | Tape & Reel ¹ |

Note 1: Tape and reel packing quantity is 3,000/reel. Minimum ordering quantity is 3,000.

Off-Line Digital Power Controller for LED Driver with High-Power Factor and Low-Ripple Current

IMPORTANT NOTICE AND DISCLAIMER

RENESAS ELECTRONICS CORPORATION AND ITS SUBSIDIARIES (“RENESAS”) PROVIDES TECHNICAL SPECIFICATIONS AND RELIABILITY DATA (INCLUDING DATASHEETS), DESIGN RESOURCES (INCLUDING REFERENCE DESIGNS), APPLICATION OR OTHER DESIGN ADVICE, WEB TOOLS, SAFETY INFORMATION, AND OTHER RESOURCES “AS IS” AND WITH ALL FAULTS, AND DISCLAIMS ALL WARRANTIES, EXPRESS OR IMPLIED, INCLUDING, WITHOUT LIMITATION, ANY IMPLIED WARRANTIES OF MERCHANTABILITY, FITNESS FOR A PARTICULAR PURPOSE, OR NON-INFRINGEMENT OF THIRD PARTY INTELLECTUAL PROPERTY RIGHTS.

These resources are intended for developers who are designing with Renesas products. You are solely responsible for (1) selecting the appropriate products for your application, (2) designing, validating, and testing your application, and (3) ensuring your application meets applicable standards, and any other safety, security, or other requirements. These resources are subject to change without notice. Renesas grants you permission to use these resources only to develop an application that uses Renesas products. Other reproduction or use of these resources is strictly prohibited. No license is granted to any other Renesas intellectual property or to any third-party intellectual property. Renesas disclaims responsibility for, and you will fully indemnify Renesas and its representatives against, any claims, damages, costs, losses, or liabilities arising from your use of these resources. Renesas’ products are provided only subject to Renesas’ Terms and Conditions of Sale or other applicable terms agreed to in writing. No use of any Renesas resources expands or otherwise alters any applicable warranties or warranty disclaimers for these products.

© 2024 Renesas Electronics Corporation. All rights reserved.

(Disclaimer Rev.1.01 Jan 2024)

Corporate Headquarters

TOYOSU FORESIA, 3-2-24 Toyosu
Koto-ku, Tokyo 135-0061, Japan
www.renesas.com

Contact Information

For further information on a product, technology, the most up-to-date version of a document, or your nearest sales office, please visit:
www.renesas.com/contact/

Trademarks

Renesas and the Renesas logo are trademarks of Renesas Electronics Corporation. All trademarks and registered trademarks are the property of their respective owners.