

RZ Ecosystem Partner Solution RNX-RZG2UL-OSM



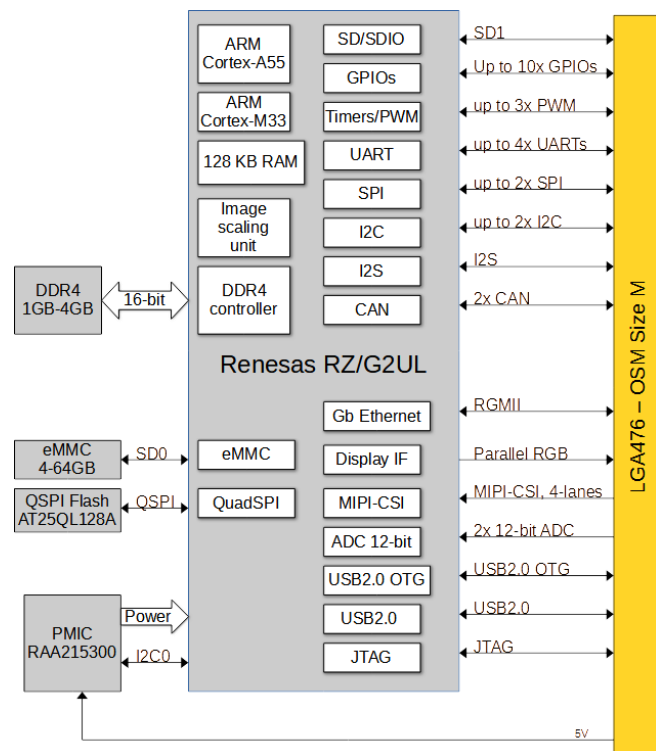
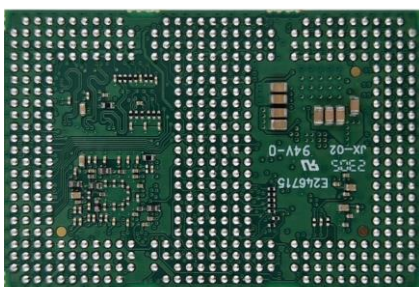
Solution Summary

The RNX-RZG2UL-OSM is a Solderable System on Module (SoM) based on Renesas RZ/G2UL 64-bit MPU. It is available in three SoC variants, in compliance with Open Standard Module™ specification OSM Size-M.

Features/Benefits

- In compliance with Open Standard Module™ specification OSM Size-M, 45x30mm
- Single-core ARM Cortex-A55 CPU, 1 GHz + Cortex-M33, 200MHz
- RAM: 1GiB, DDR4
- eMMC: 4 GiB (optional: up to 64 GiB)
- QSPI NOR Flash (optional)

Diagrams/Graphics



Target Markets and Applications

- Industrial controls
- Smart buildings
- Smart home
- Consumer electronics
- Home appliance



Ronetix Development Tools GmbH
Hirschstettner Str. 19/Z110
1220 Vienna
Austria

High-performance System on Module (SOM) solutions and
Hardware development tools for embedded systems.

Experience in embedded systems since 2005.

Ronetix specializes in developing and manufacturing of high-
performance System on Module (SOM) solutions and JTAG
emulation tools and debuggers for different based MCUs.