

RA Ecosystem Partner Solution

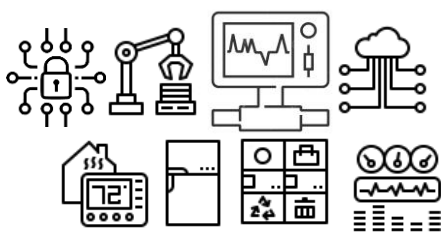
SDKPac™ Solution Kit for Azure RTOS

Solution Summary

The Cypherbridge SDKPac Solution Kit for Azure RTOS includes SDKs & Toolkits fully integrated with Azure RTOS FSP. It includes standalone and IoT cloud security and connectivity solutions for a wide range of applications. From greenfield designs, to product refresh and retrofit, the Renesas Ready SDKPac Solution Kit is tailored, project ready, integrated and tested on the RA MCU product line including the new RA6M4 with 200MHz Arm® Cortex®-M33 TrustZone®.

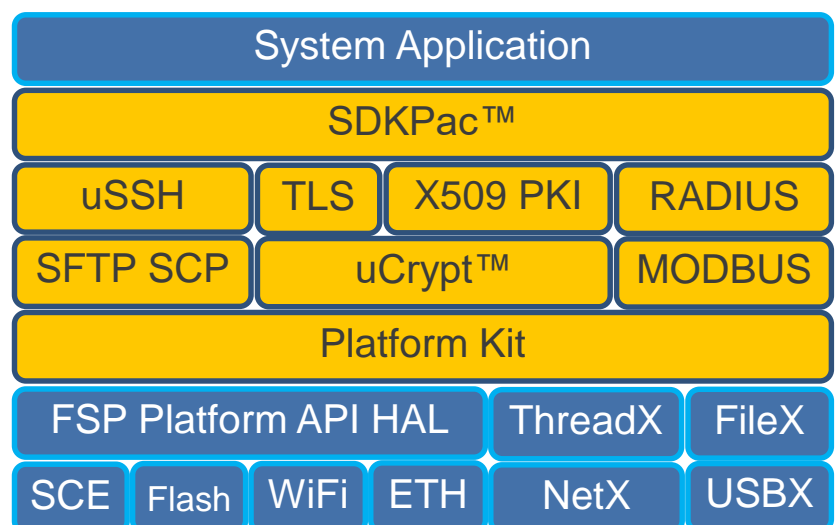
Features & Benefits

- uSSH server, client, user account and host key controls
- SFTP and SCP secure file transfer
- WiFi connectivity kits
- Azure IoT Cloud support from device to cloud
- Platform Kit for FSP: ThreadX, NetX Duo, FileX and USBX
- uCrypt library integrated with Synergy SCE crypto engine
- Supported on toolchains including e2studio
- Design Services for Platform Integration & Full Stack Cloud Computing
- Long Term Azure RTOS Technical Support
- Microsoft Cloud Solution Provider



Target Applications & Solution Kits

- Industrial Automation
- Medical Device
- Consumer Appliance
- Azure IoT Device to Cloud
- IoT Device Credentials
- Edge Gateway Computing



www.cypherbridge.com/renesas

Delivering IoT Device Solutions

From concept to production, Cypherbridge delivers solutions for device platform, connectivity, security and IoT cloud.

Partnership and Planning

Cypherbridge works with our industry partners at greenfield product planning and product refresh cycles, helping to align product requirements for security, and connectivity, for data in-flight and at-rest. Identify vulnerabilities and security measures tailored to project, designed to achieve safety, reliability, integrity and trust.

SDKPac IoT Device Software Solutions

The SDKPac Solution Kits include SDKs and Toolkits to fit a wide range of device level applications and vertical markets. Integrated with Azure RTOS and off-the-shelf Renesas RA Evaluation Kits and toolchains, SDKPac delivers a tailored project ready solution.

Design Services and Azure RTOS Add-Ons

Cypherbridge technical solutions and design services span device level software, platform and end-to-end system integration, and full-stack IoT Cloud Computing. SDKPac solution kits complement, integrate with and extend the features of Azure RTOS, including WiFi drivers for NetX Duo, FileX media drivers, and add-ons for USBX class drivers.

Microsoft Ecosystem Partner & Long Term Support

Cypherbridge is a Microsoft Cloud Solution Provider and Azure RTOS partner with long term technical support for ThreadX Classic and Azure RTOS.

Cypherbridge brings it all together, delivering technical solutions & customer satisfaction from R&D, to pilot and production.

Cypherbridge Systems LLC

www.cypherbridge.com

7040 Avenida Encinas #104211

Carlsbad, CA 92011 USA

Email: renesas@cypherbridge.com

Phone +1 760.814.1575.

*SDKPac Solution Kit for Azure RTOS v.210827-A
Copyright © 2021 Cypherbridge Systems All Rights Reserved.
Product Specifications Subject to Change Without Notice*

About Us

Cypherbridge Systems was established in 2005 to develop security and connectivity solutions. Our range of solutions and services continues to expand with long-term growth and design wins in a diverse range of vertical markets.

Industry Focus

IoT Device to Cloud Data, Intelligence and Analytics is transforming industries across the board including Consumer Products, Industrial Control, Manufacturing and Factory Automation, Medical Device, Smart Building, and Transportation.

Proven value and benefits include increased efficiency and productivity, lower operating costs, and shift towards predictive analytics.

The intersection of IoT with vertical industries is driving solutions that can deliver connectivity, security, reliability and trust at scale.

The SDKPac Solution

Accelerate your journey to the IoT Cloud with the SDKPac Solution. Unlock opportunity and business value through reporting, analytics and machine learning.

Partner with Cypherbridge

IoT systems demand a broad range of skills, including embedded device software, networking, cloud computing and expert security practices. Cypherbridge offers comprehensive design services for end-to-end line of business applications including IoT device platform integration, differentiating features, and full-stack cloud computing and data systems engineering.