

## Renesas Ready Ecosystem Partner Solution TMGTE IO-Link Device Software

RENESAS

PARTNER  
NETWORK

READY

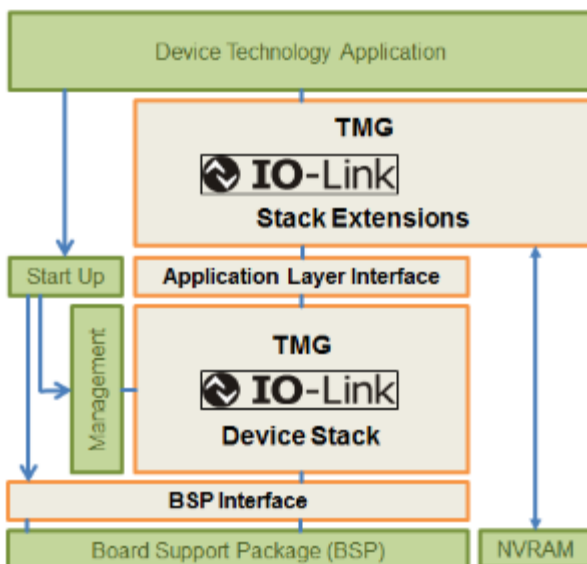
### Solution Summary

With the very comprehensive TMGTE IO-Link Device Software, simple to complex IO-Link projects can be realized on all platforms including the new [RA MCU](#) Family, [RX MCU](#) Family and [RL78 MCU](#) Family in a very short time.

### Features/Benefits

- IO-Link Device Software conformant to IO-Link Specification V1.1.3
- Supports all telegram types and bit rates
- Backward compatibility to IO-Link V1.0 Masters
- Easy integration on all microcontrollers (8/16/32 Bit) including RA Series
- Works with all IO-Link transceivers including [ZIOL2401](#), [CCE4502](#), [CCE4503](#), [RH4Z2501](#)
- Very small footprint
- Application framework available
  - Best practice implementation proved in many customer projects

### Diagrams/Graphics



#### IO-Link Device Stack

The Stack implements the IO-Link communication interface and provides the entire IO-Link functionality for this purpose.

#### IO-Link Device Stack Extensions

The Stack Extensions implement the IO-Link related Device application with:

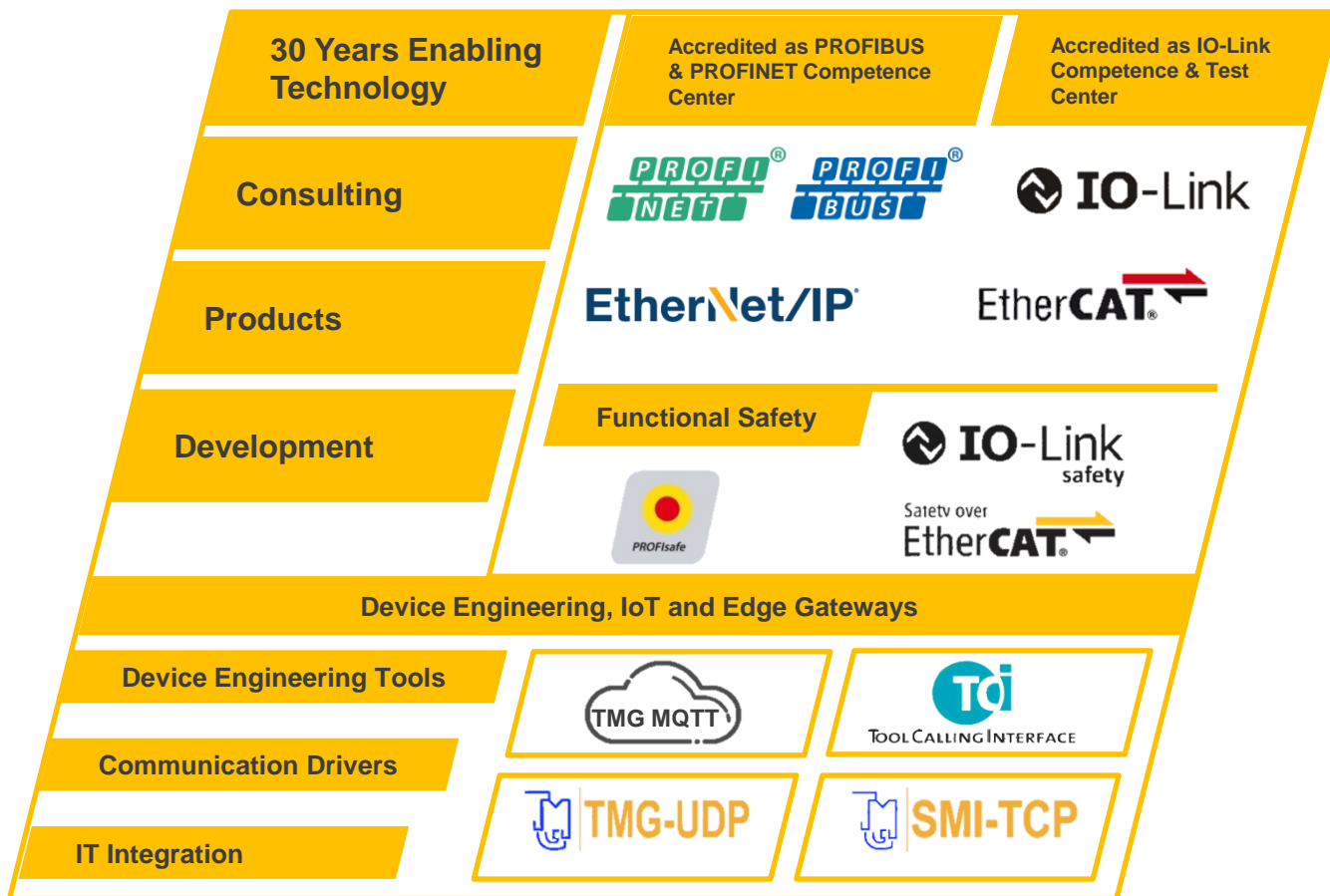
- Parameter Manager, Data Storage, Block Parameterization, Event Dispatcher, Device Status and Detailed Device Status, Parameter Consistency Check, Application-Reset and Back-to-Box commands

### Target Markets and Applications

- Industrial Sensors
- IO-Link

[TMG Technologie und Engineering - IO-Link Device protocol stack](#)

# TMG TE



## About TMG TE

TMG TE is one of the leading technology providers and service providers in industrial communication technology, especially for IO-Link, PROFINET, EtherNet/IP, EtherCAT and PROFIBUS.

TMG TE is a member of the IO-Link Community, PROFIBUS & PROFINET International, ODVA and ETG and takes part in the most important working groups that promote and improve these technologies.

We are also member of the IO-Link Steering Committee and an accredited competence center for IO-Link, PROFINET and PROFIBUS as well as an accredited IO-Link Test Center.

TMG TE has its own technology products such as IO-Link Master and Device Stacks, modules, evaluation boards and engineering and test tools. A large number of projects have already been implemented with the help of the technology products.

TMG TE has a large worldwide market share and we are the market leader in particular for IO-Link. Our technology products are always developed according to the latest specifications.

For more information, please visit:

<https://tmgte.de/en/>

mailto: [info@tmgte.de](mailto:info@tmgte.de)

**TMG TECHNOLOGIE MANAGEMENT GRUPPE  
Technologie und Engineering GmbH**

Zur Gießerei 10 - 76227 Karlsruhe

Tel.: +49 (721) 8 28 06 0

Fax: +49 (721) 8 28 06 10