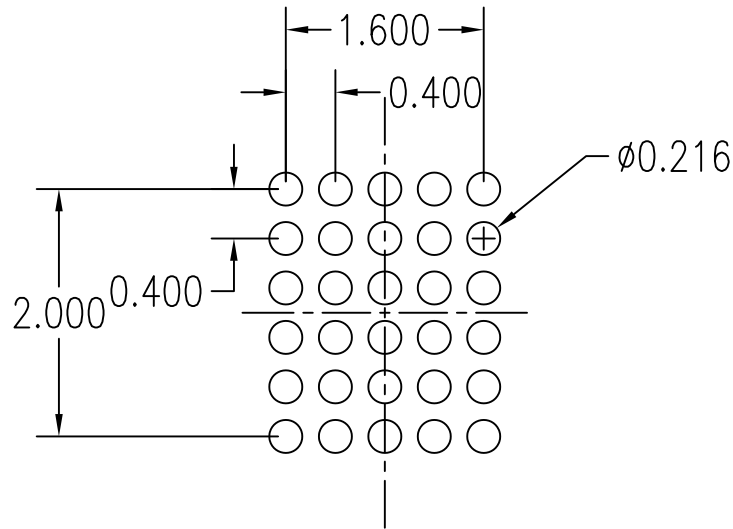


NOTES:

1. ALL DIMENSIONS ARE IN MM.
2. SCRIBE LINE 90UM X 90UM; DIE SIZE HEREIN IS DIE STEP 2210UM X 2590UM MINUS 40UM SAW CUT.



RECOMMENDED LAND PATTERN DIMENSION

NOTE:

1. ALL DIMENSIONS ARE IN MM, ANGLES IN DEGREES.
2. TOP DOWN VIEW, AS VIEW ON PCB.
3. NSMD LAND PATTERN ASSUMED.
4. LAND PATTERN RECOMMENDATION AS PER IDT DSBGA APPLICATION NOTE.

Package Revision History		
Date Created	Rev No.	Description
May 18, 2021	00	Initial Release