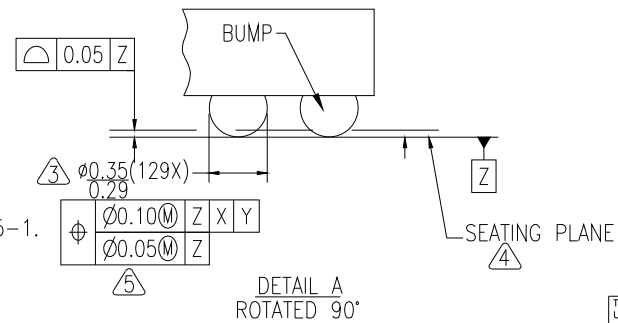
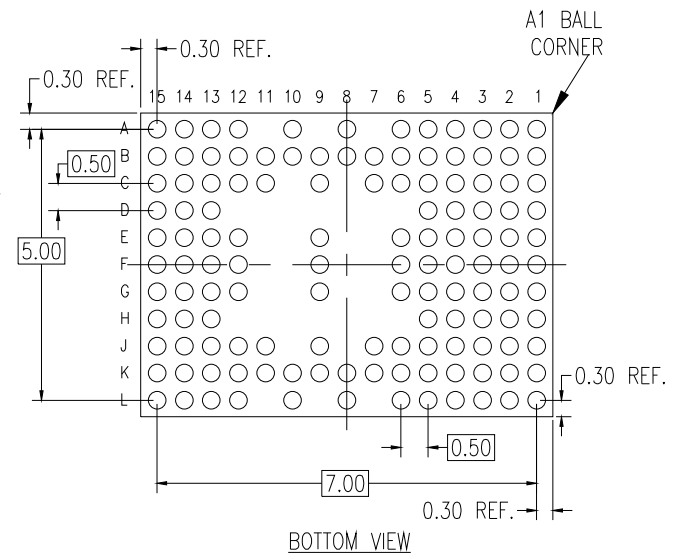
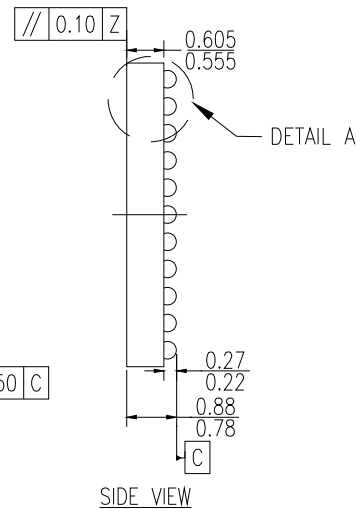
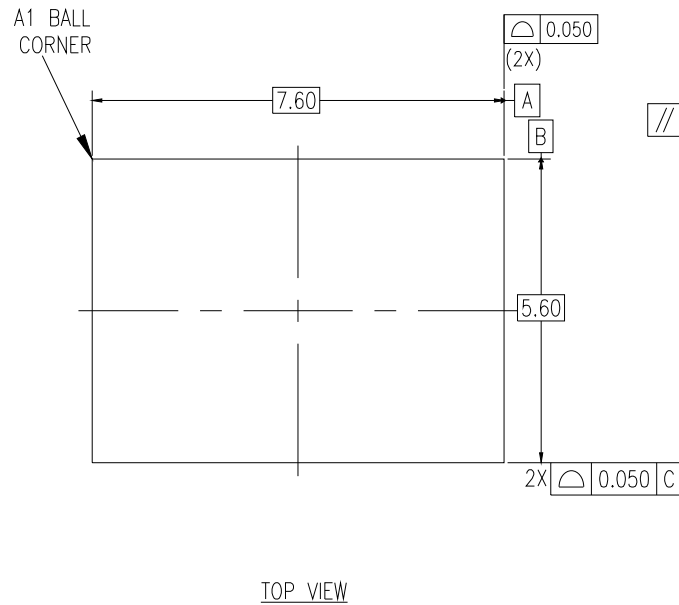


DATE		REVISIONS	
CREATED	REV	DESCRIPTION	AUTHOR
4/17/19	00	INITIAL RELEASE	CM
NOTE: REFER TO DCP FOR OFFICIAL RELEASE DATE			

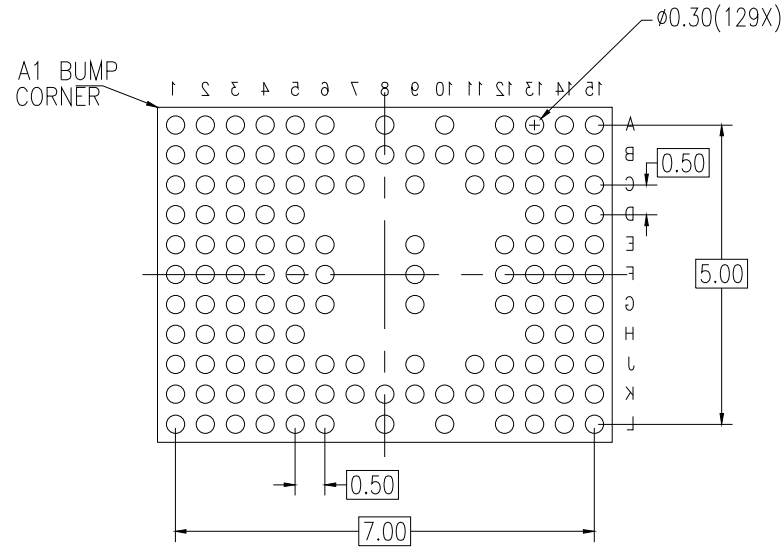


NOTES:

1. DIMENSIONS AND TOLERANCE PER ASME Y 14.5M - 2009, JESD 95-1.
2. ALL DIMENSIONS ARE IN MILLIMETERS.
3. DIMENSION IS MEASURED AT THE MAXIMUM BALL DIAMETER PARALLEL TO PRIMARY DATUM Z
4. PRIMARY DATUM Z AND SEATING PLANE ARE DEFINED BY THE SPHERICAL CROWNS OF THE BALL.
5. BALL POSITION DESIGNATION PER JESD 95-1.
6. THE RAW SOLDER BALL SIZE IS 300um.

TOLERANCES UNLESS SPECIFIED DECIMAL ANGULAR XX± 0.05 ± XXX± 0.012 ± XXXX±	 www.IDT.com	6024 SILVER CREEK VALLEY ROAD, SAN JOSE, CA 95138 PHONE: (408) 284-8200 FAX: (408) 284-3572
		TITLE AGV129 Package Outline Drawing 7.60 x 5.60 x 0.83 mm Body 0.5mm Pitch eWLB
SIZE C	DRAWING No. PSC-4801	REV 00
DO NOT SCALE DRAWING		SHEET 1 OF 2


DATE CREATED		REVISIONS		
REV	DESCRIPTION	AUTHOR		
4/17/19	00	INITIAL RELEASE		CM
NOTE: REFER TO DCP FOR OFFICIAL RELEASE DATE				



RECOMMENDED LAND PATTERN DIMENSION

NOTES:

1. ALL DIMENSIONS AND TOLERANCES ARE PER ASME Y14.5M-1994.
2. ALL DIMENSIONS ARE IN MILLIMETERS.

TOLERANCES UNLESS SPECIFIED		 6024 SILVER CREEK VALLEY ROAD, SAN JOSE, CA 95138 PHONE: (408) 284-8200 FAX: (408) 284-3572	
DECIMAL	ANGULAR	www.IDT.com	
XXX± 0.05 ±		TITLE ACY129 Package Outline Drawing 7.60 x 5.60 x 0.83 mm Body 0.5mm Pitch eWLB	
XXX± 0.012		SIZE C	REV 00
XXXX±		DRAWING No. PSC-4801	
		DO NOT SCALE DRAWING SHEET 2 OF 2	