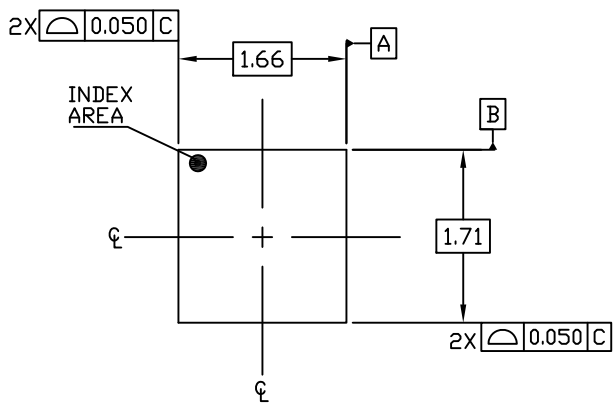


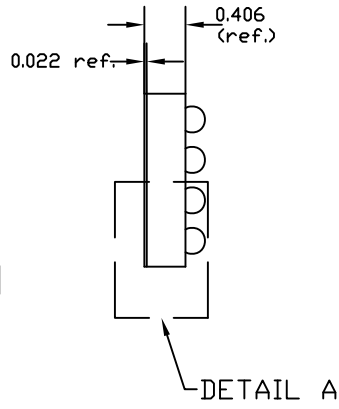
REVISIONS			
REV	DESCRIPTION	DATE	APPROVED
00	INITIAL RELEASE	2/22/16	JH

NOTES:

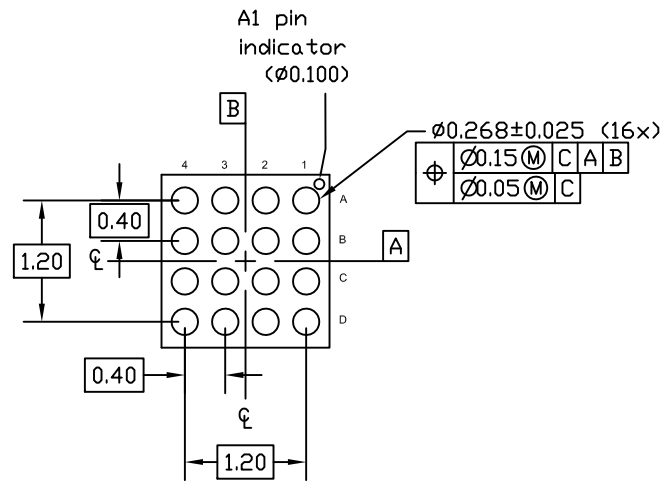
1. ALL DIMENSIONS AND TOLERANCES ARE PER ASME Y14.5M-1994.
2. ALL DIMENSIONS ARE IN MILLIMETERS.
3. SEATING PLANE AND PRIMARY DATUM -C- ARE DEFINED BY THE CONTACT POINTS OF THREE OR MORE SOLDER BALLS THAT SUPPORT THE DEVICE WHEN PLACED ON A TOP OF A PLANAR SURFACE.
4. BOTTOM PIN#1 INDICATOR OPTIONAL.
5. PACKAGE BODY SIZE CONSIDERS 40UM WAFER CUT WIDTH.



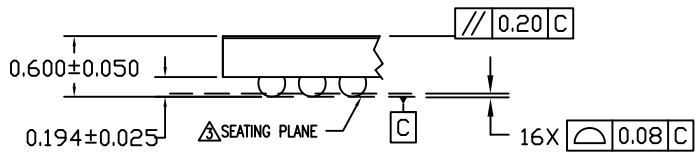
TOP VIEW




DETAIL A



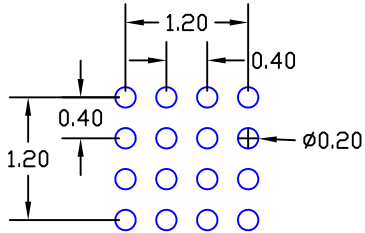
BOTTOM VIEW



DETAIL A  
(ROTATED 90 DEG CW)


TOLERANCES UNLESS SPECIFIED		 6024 SILVER CREEK VALLEY ROAD, SAN JOSE, CA 95138 PHONE: (408) 284-8200 FAX: (408) 284-3572 www.IDT.com
DECIMAL	ANGULAR	
XX± 0.05	±	
XXX± 0.012		
XXXX±		
APPROVALS	DATE	TITLE
DRAWN <i>RAC</i>	2/22/16	AHC16 PACKAGE OUTLINE 1.660 x 1.710mm BODY 0.4mm PITCH DSBGA
CHECKED		
	SIZE	DRAWING No.
	C	PSC-4621
		REV
		00
DO NOT SCALE DRAWING		SHEET 1 OF 2

REVISIONS			
REV	DESCRIPTION	DATE	APPROVED
00	INITIAL RELEASE	2/22/16	JH



RECOMMENDED LAND PATTERN DIMENSION

- NOTE:
- 1) ALL dimensions are in mm, Angles in degrees.
  - 2) Top down view, as view on PCB.
  - 3) NSMD Land Pattern Assumed
  - 4) Land Pattern Recommendation as per IPC-7351B generic requirement for surface mount design and Land Pattern.

TOLERANCES UNLESS SPECIFIED DECIMAL ANGULAR XX± 0.05 ± XXX± 0.012 ± XXXX±		 6024 SILVER CREEK VALLEY ROAD, SAN JOSE, CA 95138 PHONE: (408) 284-8200 FAX: (408) 284-3572 www.IDT.com	
APPROVALS	DATE	TITLE	
DRAWN <i>dad</i>	2/22/16	AHG16 PACKAGE OUTLINE 1.660 x 1.710mm BODY 0.4mm PITCH DSBGA	
CHECKED		SIZE	REV
		C	00
		DRAWING No.	
		PSC-4621	
DO NOT SCALE DRAWING			SHEET 2 OF 2