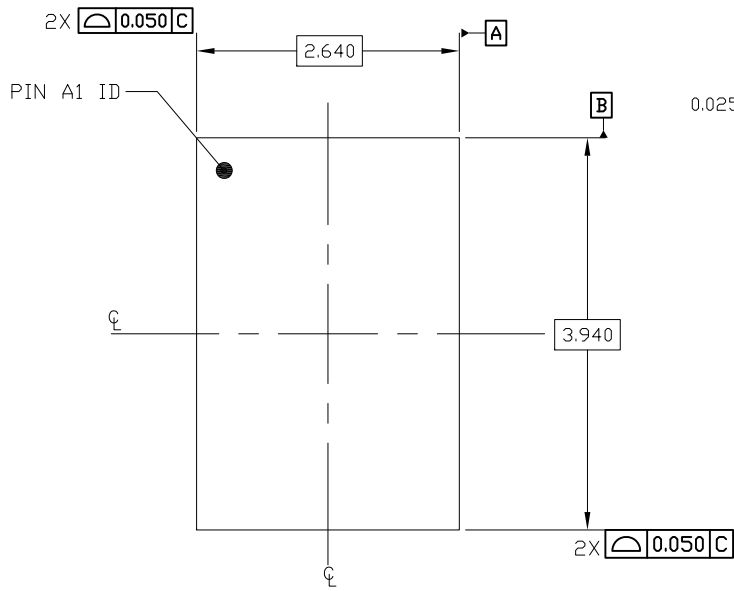


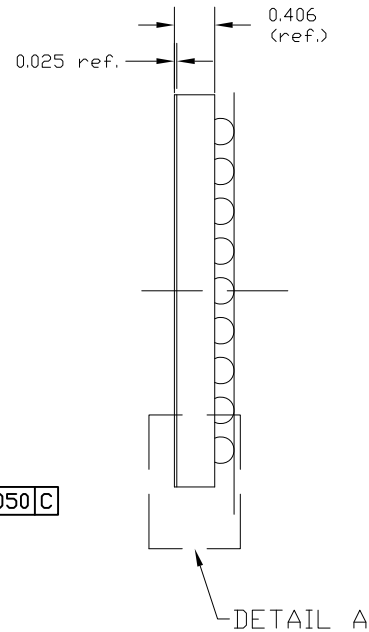
NOTES:

1. ALL DIMENSIONS AND TOLERANCES ARE PER ASME Y14.5M-1994.
 2. ALL DIMENSIONS ARE IN MILLIMETERS.
- △ SEATING PLANE AND PRIMARY DATUM -C- ARE DEFINED BY THE CONTACT POINTS OF THREE OR MORE SOLDER BALLS THAT SUPPORT THE DEVICE WHEN PLACED ON A TOP OF A PLANAR SURFACE.
- △ BOTTOM PIN#1 INDICATOR OPTIONAL.

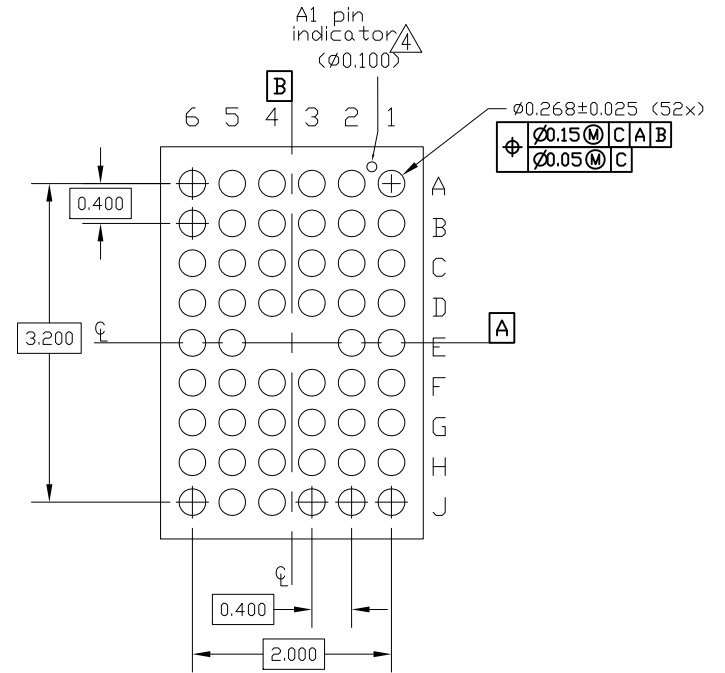
REVISIONS			
REV	DESCRIPTION	DATE	APPROVED
00	INITIAL RELEASE	02/04/15	CM
01	CHANGE BODY TOLERANCE	06/05/15	JH
02	Change back side tape to 0.022um to 0.025um.	4/14/16	JH



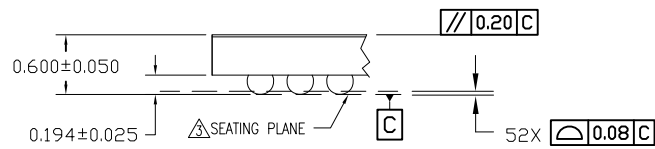
TOP VIEW



DETAIL A



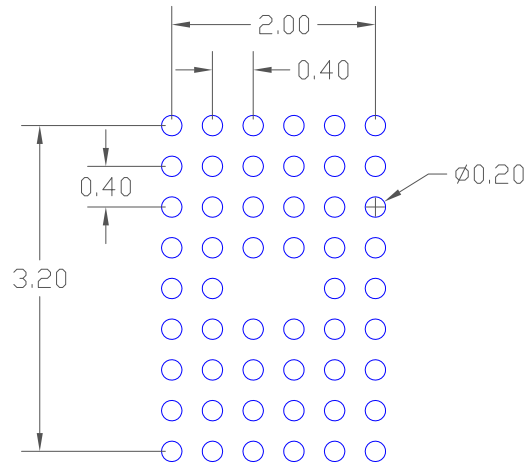
BOTTOM VIEW



DETAIL A
(ROTATED 90 DEG CW)

TOLERANCES UNLESS SPECIFIED		6024 SILVER CREEK VALLEY ROAD, SAN JOSE, CA 95138	
DECIMAL	ANGULAR	PHONE: (408) 284-8200	
XX± 0.05 ±		FAX: (408) 284-3572	
XXX± 0.012		www.IDT.com	
XXXX±		TITLE AHGS2 PACKAGE OUTLINE	
APPROVALS	DATE	2.640 x 3.940mm BODY	
DRAWN <i>CM</i>	02/04/15	0.4mm PITCH DSBGA	
CHECKED		SIZE	REV
		C	02
		DRAWING No.	PSC-4497
		DO NOT SCALE DRAWING	
		SHEET 1 OF 2	


REVISIONS			
REV	DESCRIPTION	DATE	APPROVED
00	INITIAL RELEASE	02/04/15	CM
01	CHANGE BODY TOLERANCE	06/05/15	JH
02	Change back side tape to 0.022um to 0.025um.	4/14/16	JH



RECOMMENDED LAND PATTERN DIMENSION

NOTE:

1. ALL DIMENSIONS ARE IN MM, ANGLES IN DEGREES.
2. TOP DOWN VIEW, AS VIEW ON PCB.
3. NSMD LAND PATTERN ASSUMED.
4. LAND PATTERN RECOMMENDATION AS PER IPC-7351
GENERIC REQUIREMENT FOR SURFACE MOUNT DESIGN AND LAND PATTERN.

TOLERANCES UNLESS SPECIFIED		 www.IDT.com	6024 SILVER CREEK VALLEY ROAD, SAN JOSE, CA 95138 PHONE: (408) 284-8200 FAX: (408) 284-3572	
DECIMAL	ANGULAR			
XX± 0.05 ±				
XXX± 0.012				
APPROVALS	DATE	TITLE AHG52 PACKAGE OUTLINE		
DRAWN <i>CM</i>	02/04/15	2.640 x 3.940mm BODY		
CHECKED		0.4mm PITCH DSBGA		
		SIZE	DRAWING No.	REV
		C	PSC-4497	02
DO NOT SCALE DRAWING			SHEET 2 OF 2	