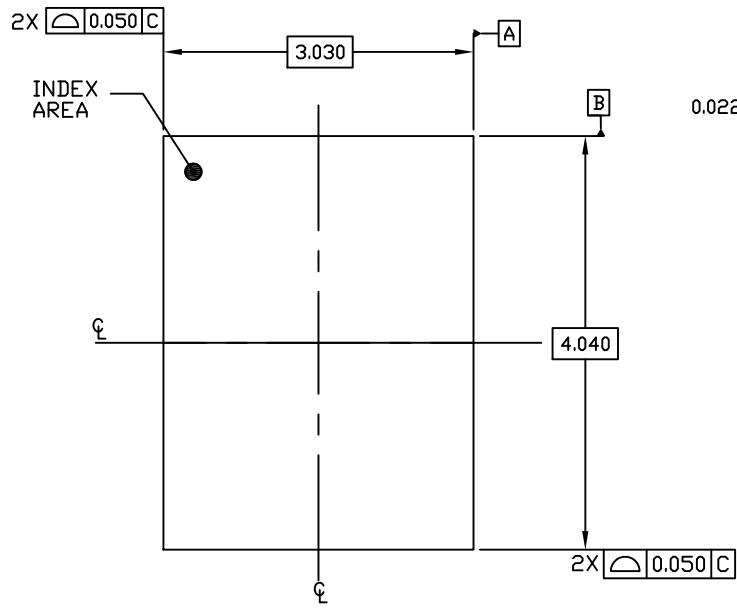


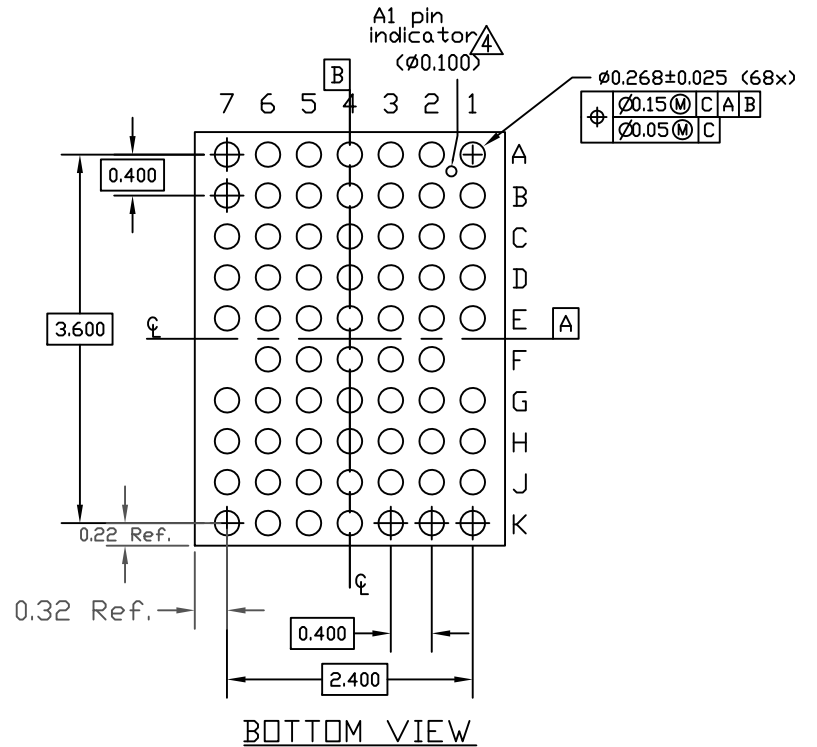
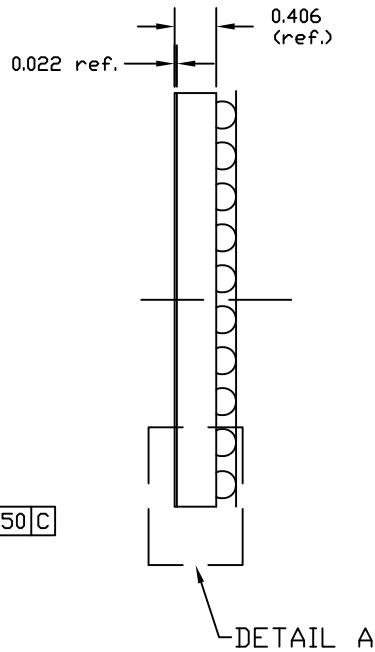
NOTES:

1. ALL DIMENSIONS AND TOLERANCES ARE PER ASME Y14.5M-1994.
 2. ALL DIMENSIONS ARE IN MILLIMETERS.
- ⚠ SEATING PLANE AND PRIMARY DATUM -C- ARE DEFINED BY THE CONTACT POINTS OF THREE OR MORE SOLDER BALLS THAT SUPPORT THE DEVICE WHEN PLACED ON A TOP OF A PLANAR SURFACE.
 - ⚠ BOTTOM PIN#1 INDICATOR OPTIONAL.

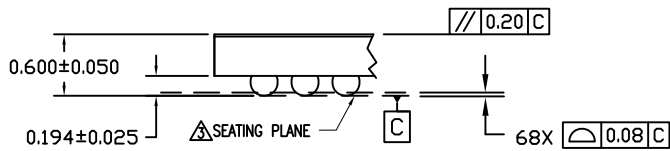
REVISIONS			
REV	DESCRIPTION	DATE	APPROVED
00	INITIAL RELEASE	11/9/15	JH



TOP VIEW



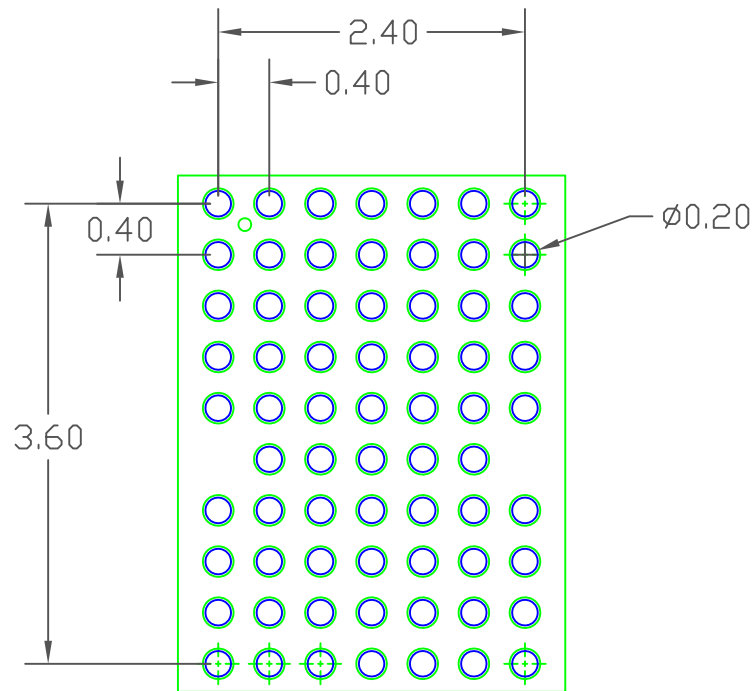
BOTTOM VIEW



DETAIL A
(ROTATED 90 DEG CW)

TOLERANCES UNLESS SPECIFIED DECIMAL ANGULAR XX± 0.05 ± XXX± 0.012 XXXX±		 8024 SILVER CREEK VALLEY ROAD, SAN JOSE, CA 95138 PHONE: (408) 284-8200 FAX: (408) 284-3572 www.IDT.com	TITLE AHG68 PACKAGE OUTLINE 3.030 x 4.040mm BODY 0.4mm PITCH DSBGA	
APPROVALS DRAWN <i>gdc</i> CHECKED	DATE 11/9/15		SIZE C	DRAWING No. PSC-4624
DO NOT SCALE DRAWING		SHEET 1 OF 2		


REVISIONS			
REV	DESCRIPTION	DATE	APPROVED
00	INITIAL RELEASE	11/9/15	JH



RECOMMENDED LAND PATTERN

NOTES:

1. ALL DIMENSION ARE IN mm. ANGLES IN DEGREES.
2. TOP DOWN VIEW. AS VIEWED ON PCB.
3. COMPONENT OUTLINE SHOW FOR REFERENCE IN GREEN.
4. LAND PATTERN IN BLUE. NSMD PATTERN ASSUMED.
5. LAND PATTERN RECOMMENDATION PER IDT WLCSP APPLICATION NOTE.

TOLERANCES UNLESS SPECIFIED DECIMAL ANGULAR XX± 0.05 ± XXX± 0.012 XXXX±		 IDT www.IDT.com	6024 SILVER CREEK VALLEY ROAD, SAN JOSE, CA 95138 PHONE: (408) 284-8200 FAX: (408) 284-3572	
APPROVALS DRAWN <i>BAC</i> CHECKED	DATE 11/9/15		TITLE AHG68 PACKAGE OUTLINE 3.030 x 4.040mm BODY 0.4mm PITCH DSBGA	
		SIZE C	DRAWING No. PSC-4624	REV 00
DO NOT SCALE DRAWING			SHEET 2 OF 2	