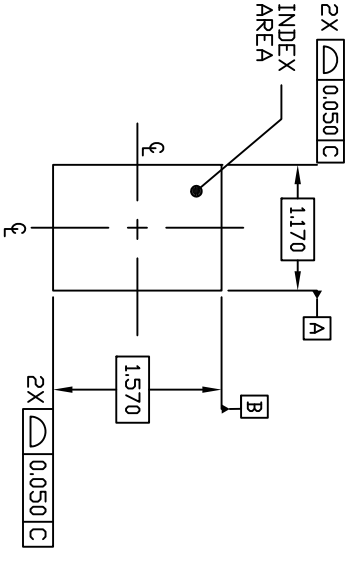


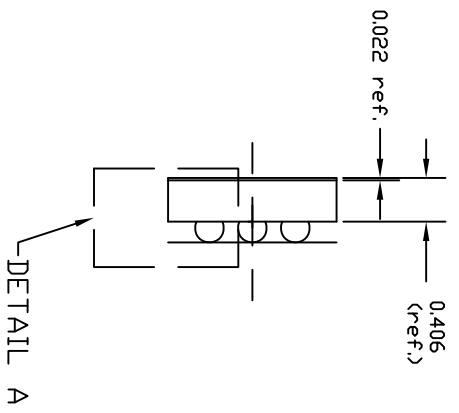
NOTES:

1. ALL DIMENSIONS AND TOLERANCES ARE PER ASME Y14.5M-1994.
  2. ALL DIMENSIONS ARE IN MILLIMETERS.
- △ SEATING PLANE AND PRIMARY DATUM -C- ARE DEFINED BY THE CONTACT POINTS OF THREE OR MORE SOLDER BALLS THAT SUPPORT THE DEVICE WHEN PLACED ON A TOP OF A PLANAR SURFACE.
- ▽ BOTTOM PIN#1 INDICATOR OPTIONAL.

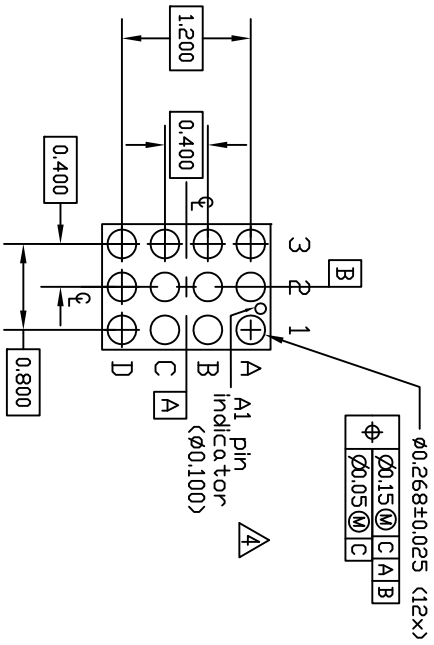
REVISIONS			
REV	DESCRIPTION	DATE	APPROVED
00	INITIAL RELEASE	05/29/14	JH
01	CORRECT PAGE 2 TITLE BLOCK	8/25/14	JH
02	CHANGE BUMP and BODY TOLERANCE	6/5/15	JH



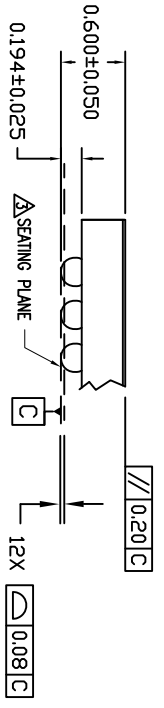
TOP VIEW



SIDE VIEW



BOTTOM VIEW

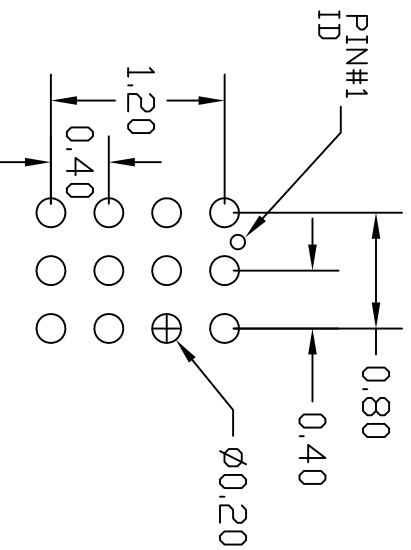


DETAIL A

<ROTATED 90 DEG CW>

TOLERANCES UNLESS SPECIFIED		6024 SILVER CREEK VALLEY ROAD, SAN JOSE, CA 95138	
DECIMAL	ANGULAR	PHONE: (408) 284-4200	
XXX± 0.05	±	WWW.IDT.COM	
XXXX 0.012		FAK: (408) 284-3572	
XXXXX			
APPROVALS	DATE	TITLE	SIZE
DRAWN <i>DZ</i>	05/29/14	ANG12 PACKAGE OUTLINE	C
CHECKED		1.170 x 1.570mm BODY	
		0.4mm PITCH DS98A	
		DRAWING No.	REV
		PSC-4483	02
DO NOT SCALE DRAWING			SHEET 1 OF 2


REVISIONS			
REV	DESCRIPTION	DATE	APPROVED
00	INITIAL RELEASE	05/29/14	JH
01	CORRECT PAGE 2 TITLE BLOCK	8/25/14	JH
02	CHANGE BUMP and BODY TOLERANCE	6/5/15	JH



RECOMMENDED LAND PATTERN DIMENSION

NOTE:

- 1) ALL dimensions are in mm, Angles in degrees.
- 2) Top down view, as view on PCB.
- 3) NSMD Land Pattern Assumed
- 4) Land Pattern Recommendation as per IPC-7351B generic requirement for surface mount design and Land Pattern.

TOLERANCES UNLESS SPECIFIED		6024 SILVER CREEK VALLEY ROAD, SAN JOSE, CA 95138 PHONE: (408) 294-8200 FAX: (408) 294-3572	
DECIMAL	ANGULAR	 <a href="http://www.idt.com">www.idt.com</a>	
XX.X 0.05	±		
APPROVALS	DATE	TITLE	SIZE
DRAWN 09*	05/29/14	AMG12 PACKAGE OUTLINE	C
CHECKED		1.170 x 1.570mm BODY 0.4mm PITCH DSBGA	DRAWING No. PSC-4483
XXXXE			REV 02
DO NOT SCALE DRAWING			SHEET 2 OF 2