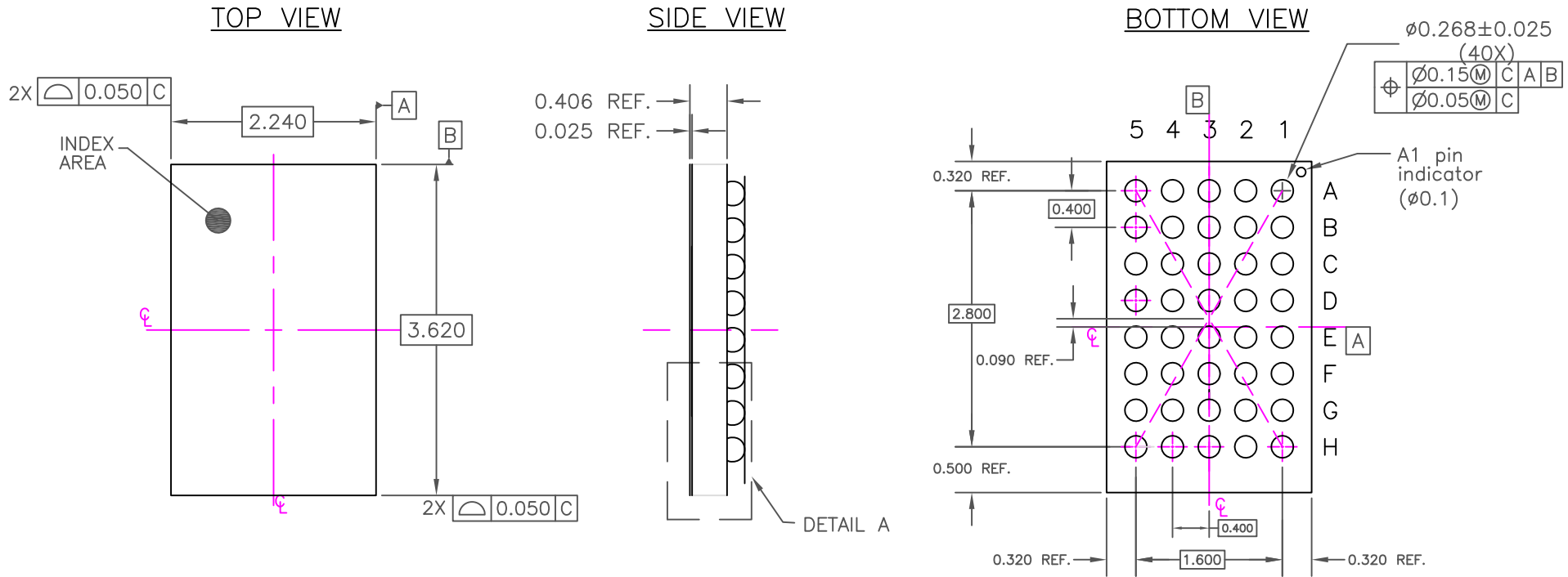


NOTES:

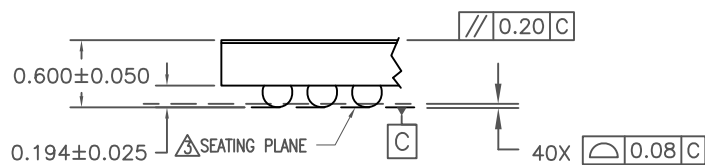
1. ALL DIMENSIONS AND TOLERANCES ARE PER ASME Y14.5M-1994.
2. ALL DIMENSIONS ARE IN MILLIMETERS.
3. SEATING PLANE AND PRIMARY DATUM -C- ARE DEFINED BY THE CONTACT POINTS OF THREE OR MORE SOLDER BALLS THAT SUPPORT THE DEVICE WHEN PLACED ON A TOP OF A PLANAR SURFACE.
4. THE BUMP ARRAY IS OFFSET 0.090MM FROM THE DIE CENTER IN THE Y DIRECTION TOWARDS A1 PIN INDICATOR.

DATE CREATED	REVISIONS		
	REV	DESCRIPTION	AUTHOR
11/06/14	00	INITIAL RELEASE	CM
6/5/15	01	CHANGE BUMP and BODY TOLERANCE	JH
12/13/16	02	CHANGE BACK SIDE TAPE 0.022 to 0.025	JH

NOTE: REFER TO DCP FOR OFFICIAL RELEASE DATE

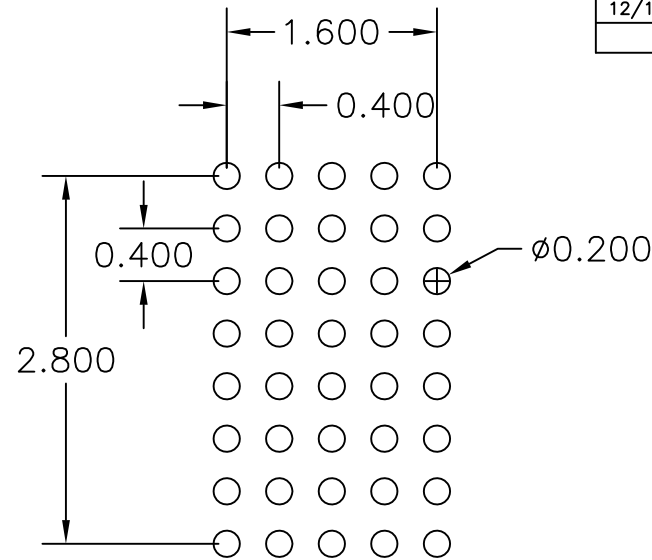


DETAIL A
(ROTATED 90 DEG CW)



TOLERANCES UNLESS SPECIFIED DECIMAL ANGULAR XX± 0.05 ± XXX± 0.012 ± XXXX±			8024 SILVER CREEK VALLEY ROAD, SAN JOSE, CA 95138 PHONE: (408) 284-8200 FAX: (408) 284-3572
	TITLE AWG40 PACKAGE OUTLINE 2.240 x 3.620 mm BODY 0.4mm PITCH DSBGA		
SIZE C	DRAWING No. PSC-4493	REV 02	
DO NOT SCALE DRAWING			SHEET 1 OF 2


DATE CREATED		REVISIONS	
DATE CREATED	REV	DESCRIPTION	AUTHOR
11/06/14	00	INITIAL RELEASE	CM
6/5/15	01	CHANGE BUMP and BODY TOLERANCE	JH
12/13/16	02	CHANGE BACK SIDE TAPE 0.022 to 0.025	JH
NOTE: REFER TO DCP FOR OFFICIAL RELEASE DATE			



RECOMMENDED LAND PATTERN DIMENSION

NOTE:

- 1) ALL dimensions are in mm, Angles in degrees.
- 2) Top down view, as view on PCB.
- 3) NSMD Land Pattern Assumed
- 4) Land Pattern Recommendation as per IPC-7351B generic requirement for surface mount design and Land Pattern.

TOLERANCES UNLESS SPECIFIED DECIMAL ANGULAR XX± 0.05 ± XXX± 0.012 ± XXXX±		 IDT™ 6024 SILVER CREEK VALLEY ROAD, SAN JOSE, CA 95138 PHONE: (408) 284-8200 FAX: (408) 284-3572 www.IDT.com	TITLE AWG40 PACKAGE OUTLINE 2.240 x 3.620 mm BODY 0.4mm PITCH DSBGA	
SIZE	DRAWING No.		REV	
C	PSC-4493	02		
DO NOT SCALE DRAWING			SHEET 2 OF 2	