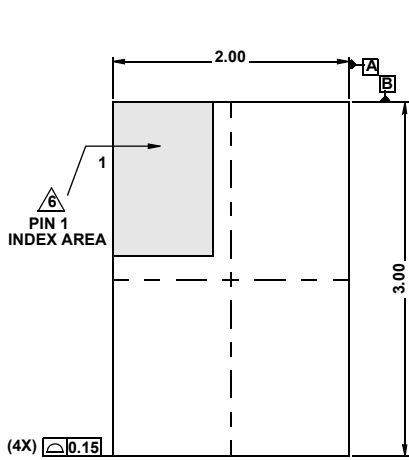


Package Outline Drawing

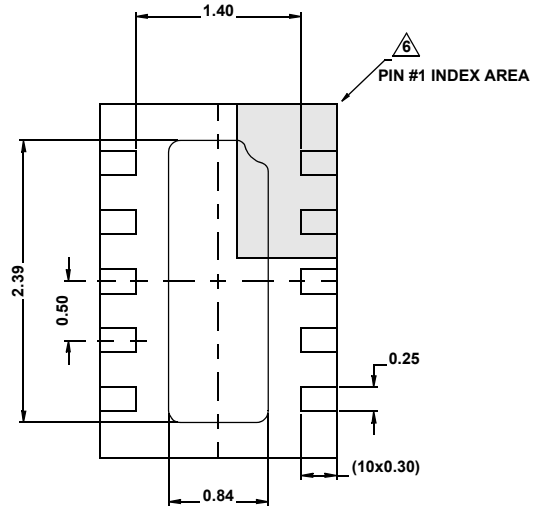
L10.3x2

10 LEAD THIN DUAL FLAT NO-LEAD PLASTIC PACKAGE WITH E-PAD (TDFN)

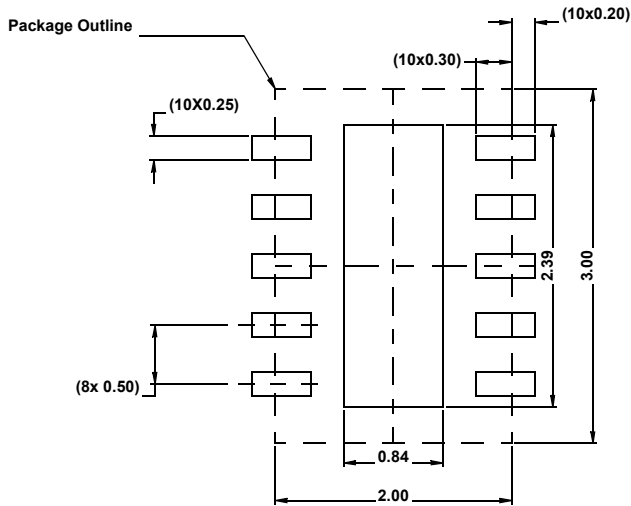
Rev 1, 4/15



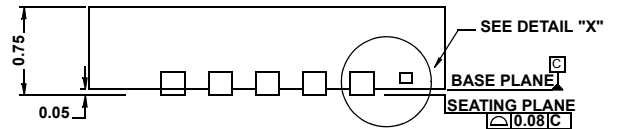
TOP VIEW



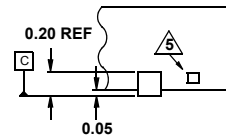
BOTTOM VIEW



TYPICAL RECOMMENDED LAND PATTERN



SIDE VIEW



DETAIL "X"

NOTES:

1. Dimensions are in mm. Dimensions in () for reference only.
 2. Dimensioning and tolerancing conform to AMSEY14.5m-1994.
 3. Unless otherwise specified, tolerance : Decimal ± 0.05
 4. Dimension b applies to the metalized terminal and is measured between 0.18mm and 0.30mm from the terminal tip.
- △ Tiebar shown (if present) is a non-functional feature and may be located on any of the 4 sides (or ends).
- △ The configuration of the pin #1 identifier is optional, but must be located within the zone indicated. The pin #1 identifier may be either a mold or mark feature.