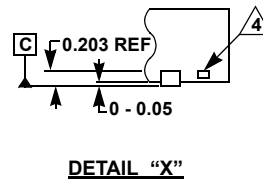
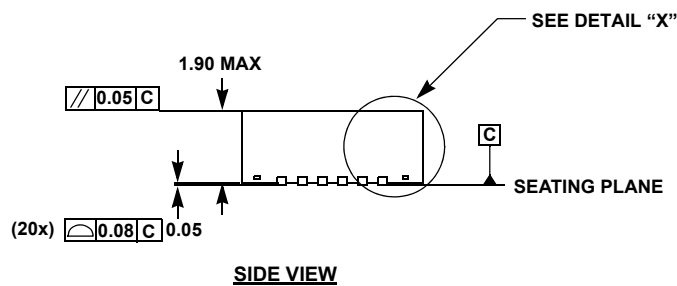
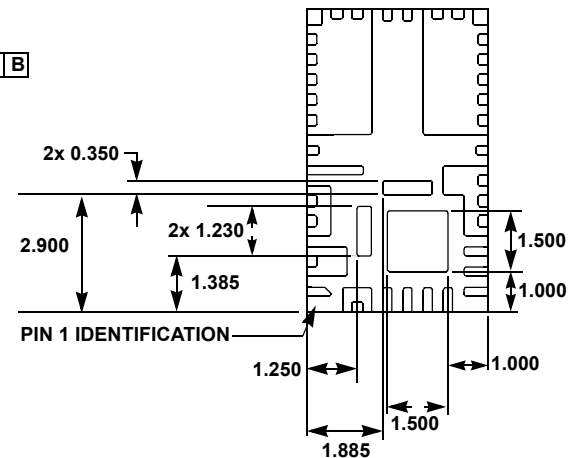
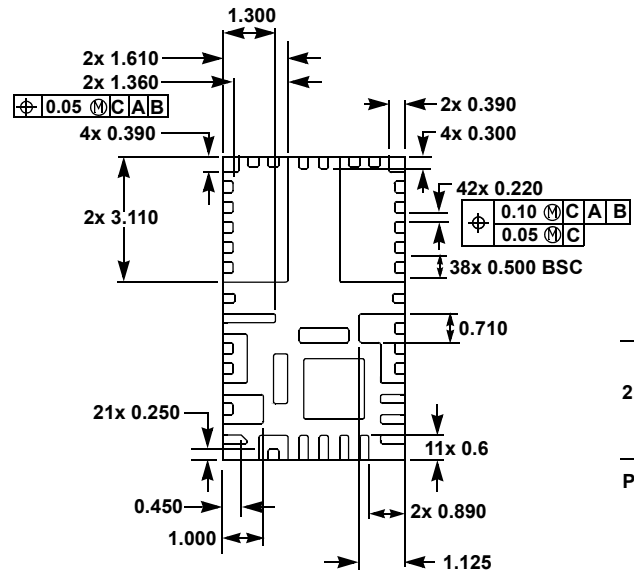
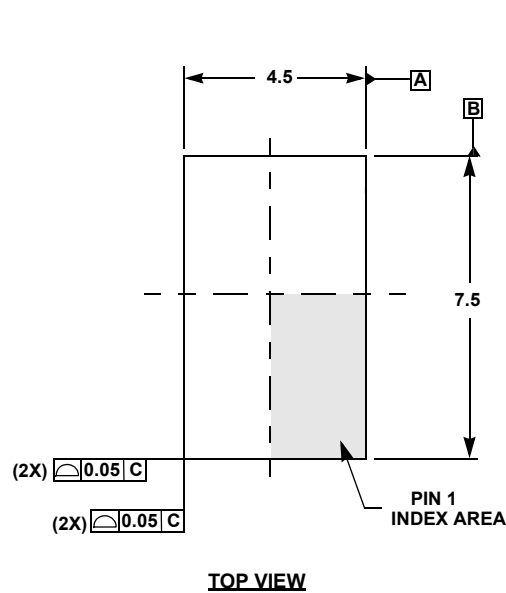


Package Outline Drawing

L22.4.5x7.5

22 LEAD QUAD FLAT NO-LEAD PLASTIC PACKAGE

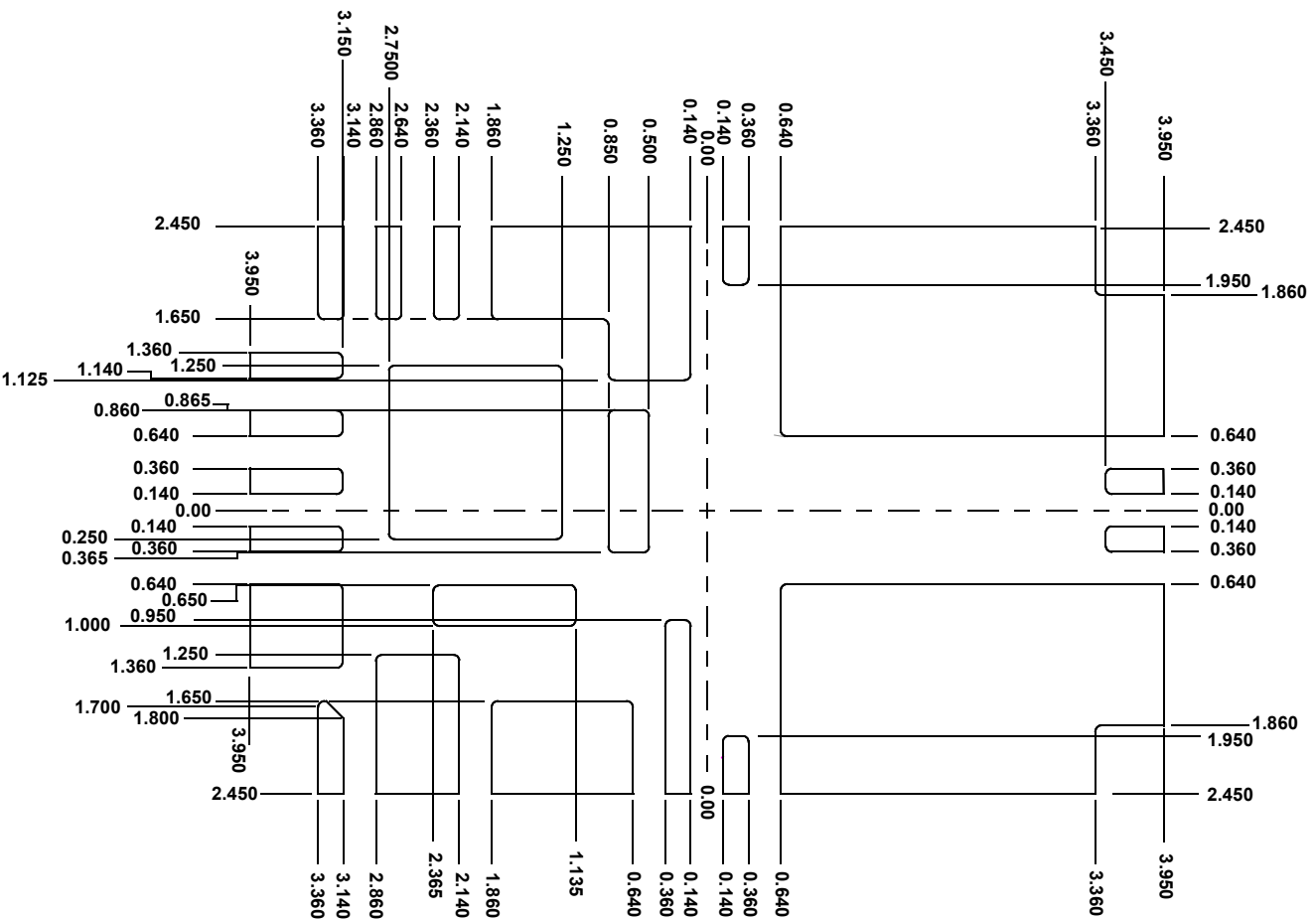
Rev 0, 9/15



NOTES:

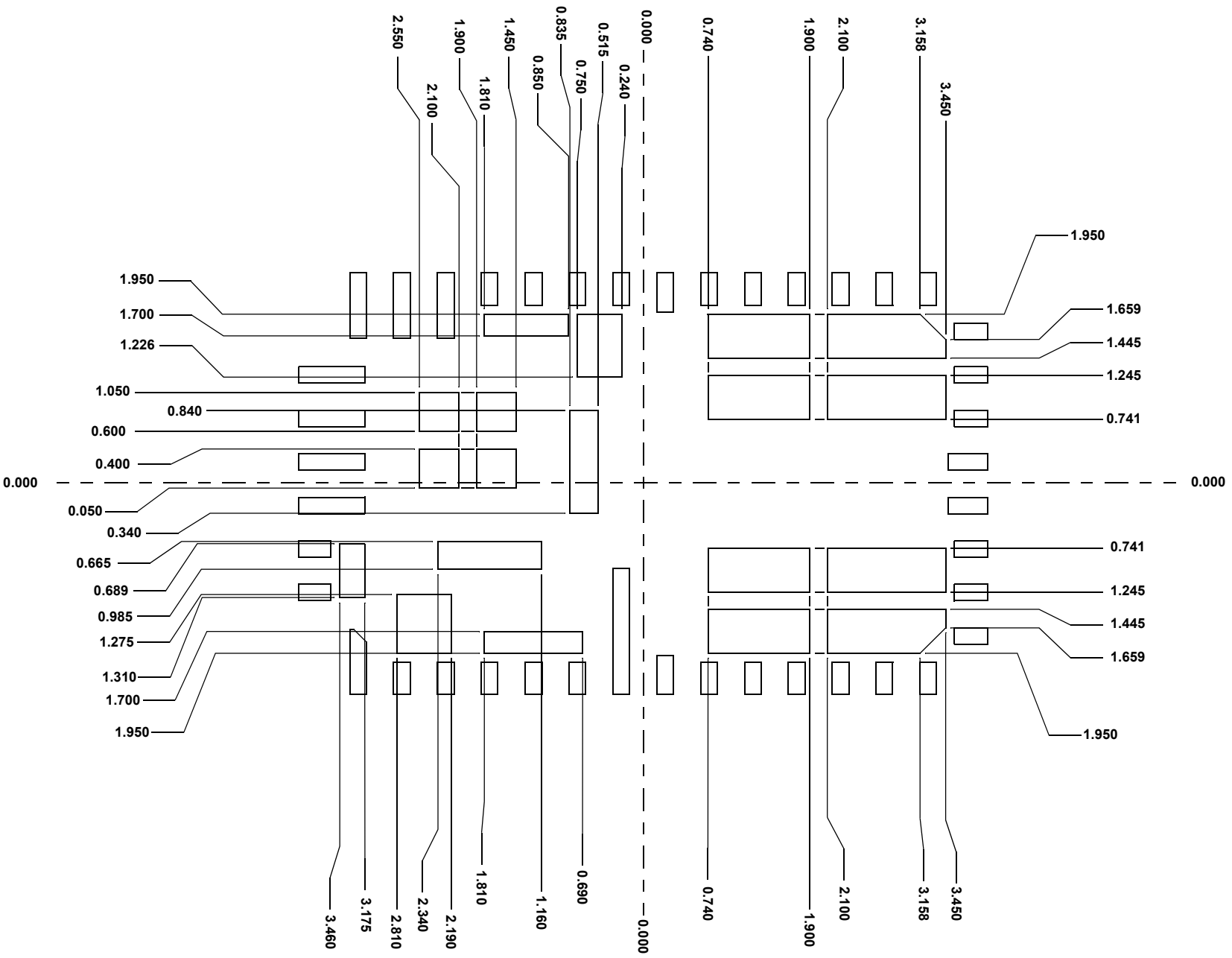
1. Dimensions are in millimeters.
2. Dimensioning and tolerancing conform to ASMEY 14.5m-1994.
3. Unless otherwise specified, tolerance: Decimal ± 0.05 .
4. Tiebar shown (if present) is a non-functional feature.
5. The configuration of the pin #1 identifier is optional, but must be located within the zone indicated. The pin #1 identifier may be either a mold or mark feature.

Plastic Packages for Integrated Circuits



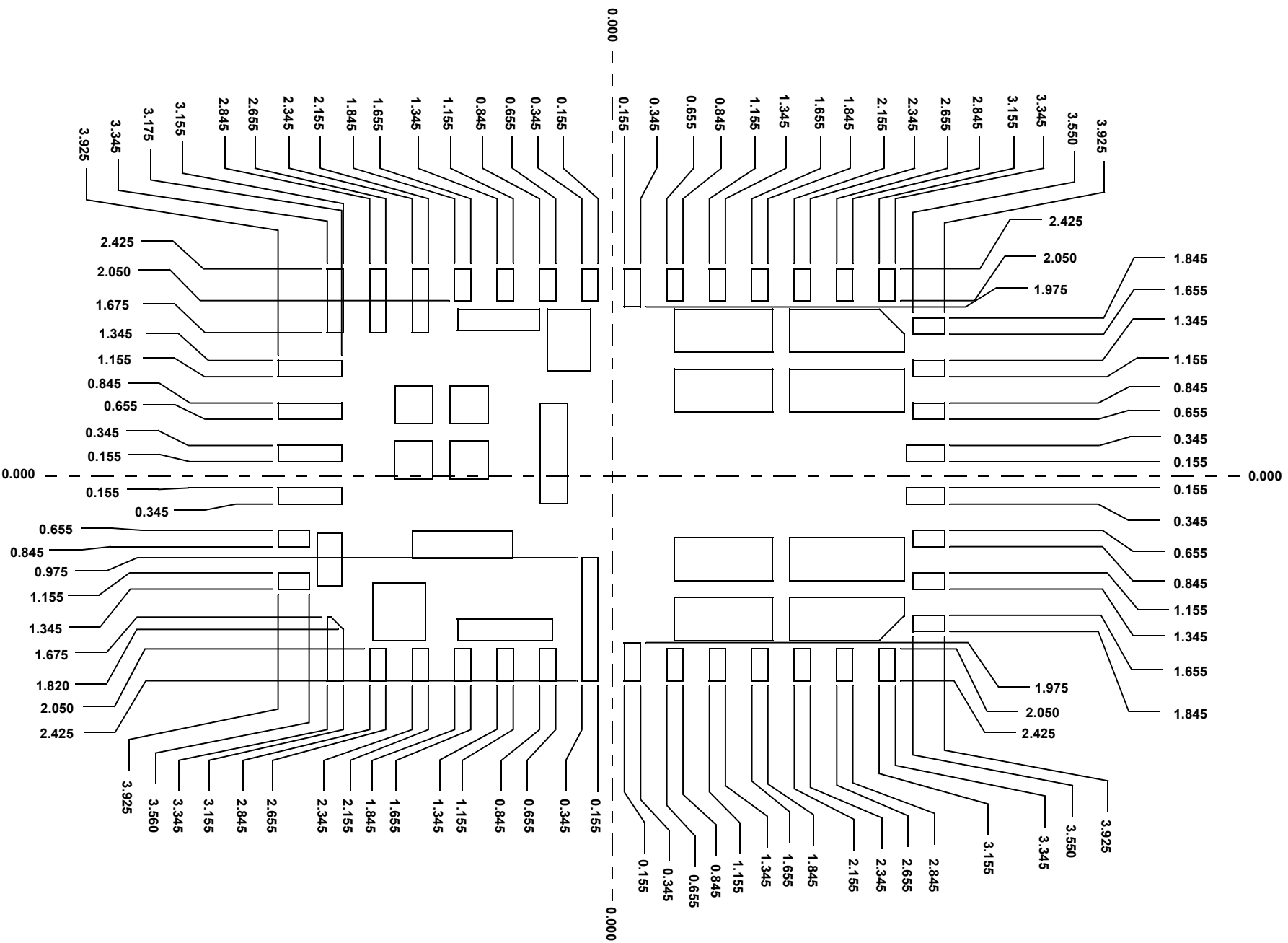
PCB LAND PATTERN

Plastic Packages for Integrated Circuits



RECOMMENDED STENCIL INTERIOR PADS

Plastic Packages for Integrated Circuits



RECOMMENDED STENCIL PERIMETER PADS