

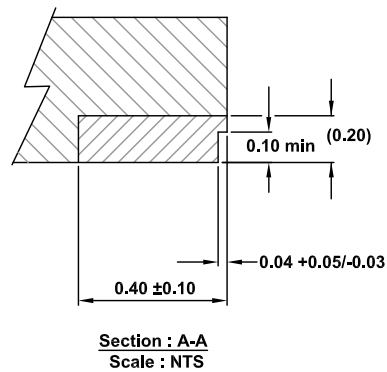
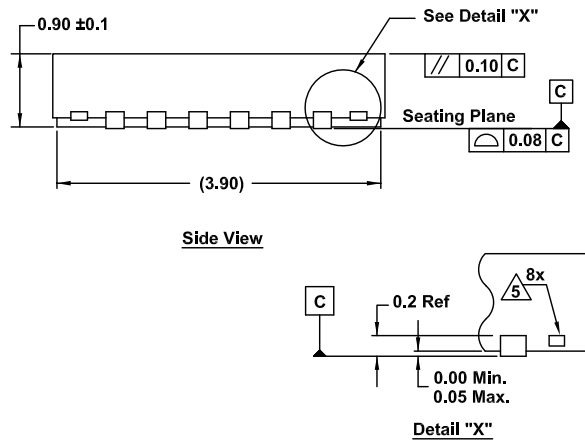
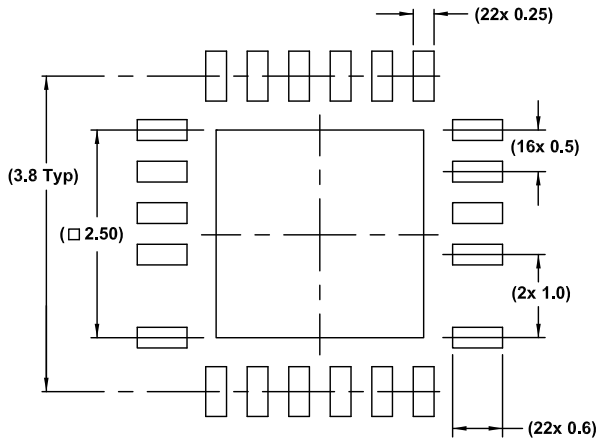
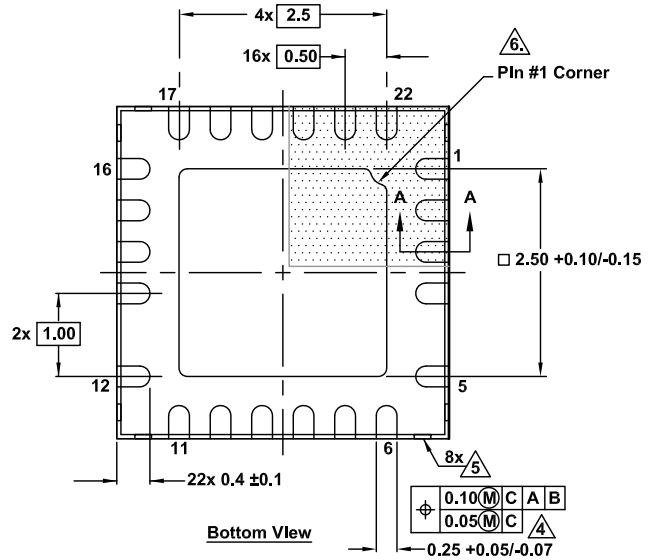
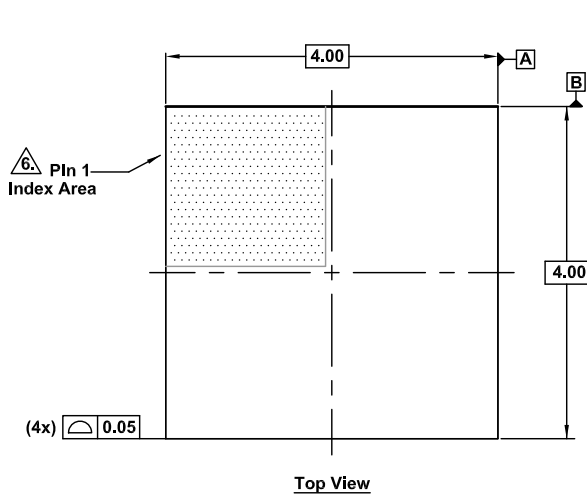
Plastic Packages for Integrated Circuits

Package Outline Drawing

L22.4x4

22 Lead Step Cut Quad Flat No-Lead Plastic Package (SCQFN)

Rev 0, 1/19



Notes:

- Dimensions are in millimeters.
Dimensions in () for reference only.
- Dimensioning and tolerancing conform to ASME Y14.5m-1994.
- Unless otherwise specified, tolerance: Decimal ± 0.05
- $\triangle 4$: This dimension applies to the metallized terminal and is measured between 0.15mm and 0.30mm from the terminal tip.
- $\triangle 5$: Tiebar shown (if present) is a non-functional feature.
- $\triangle 6$: The configuration of the pin #1 identifier is optional, but must be located within the zone indicated. The pin #1 identifier may be either a mold or mark feature.