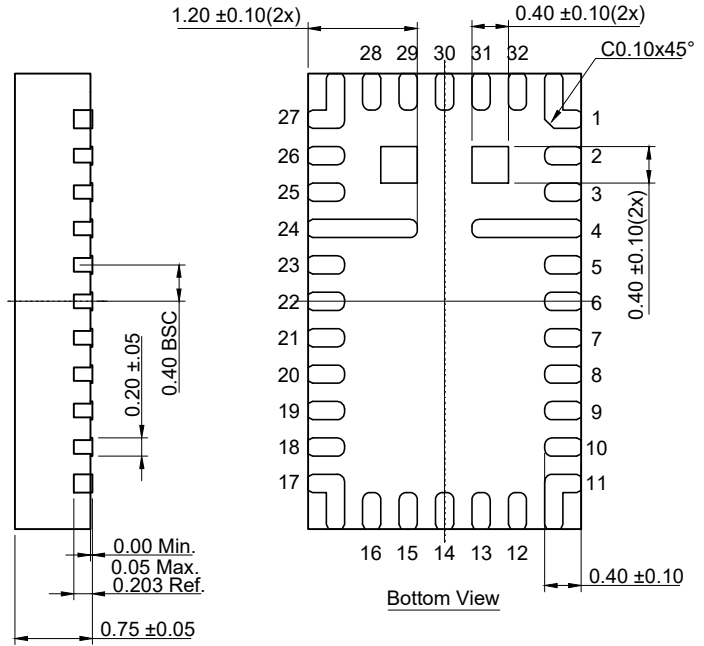
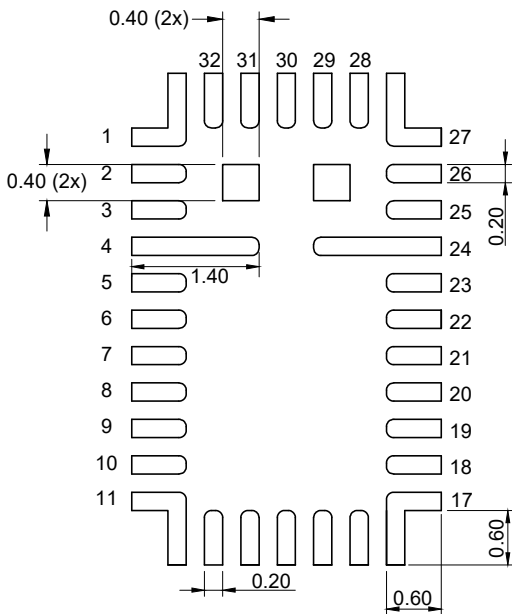


Top View



Side View



Typical Recommended Land Pattern

Notes:

1. Dimensions are in millimeters.  
Dimensions in ( ) for reference only.
2. Dimensioning and tolerancing conform to ASME Y14.5M-1994.
3. The configuration of the pin #1 identifier is optional, but must be located in the zone indicated, The pin #1 identifier can be either a mold or a mark feature.
4. Pin1 corner chamfer not required.
5. Unless otherwise specified, tolerance Decimal  $\pm 0.05$ .