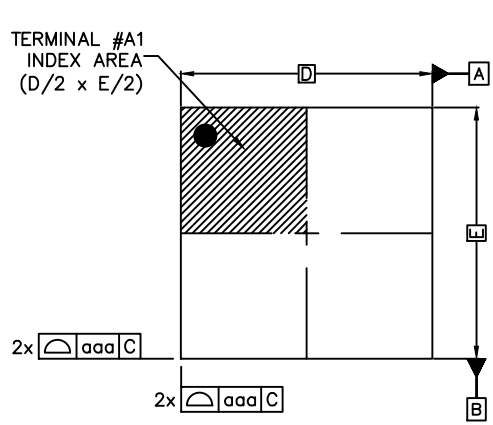
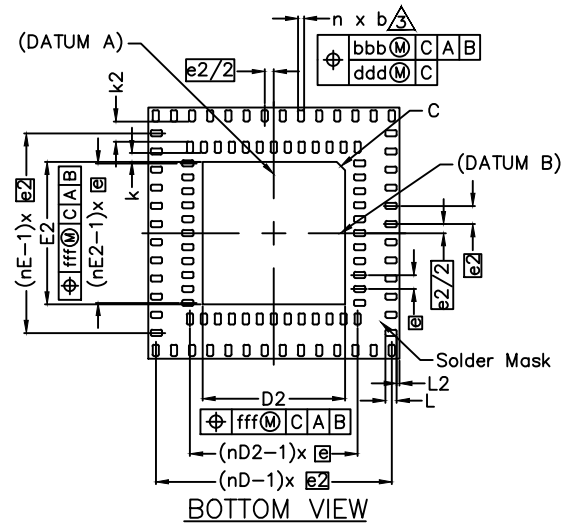


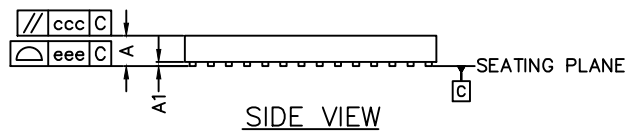
REVISIONS			
REV	DESCRIPTION	DATE	APPROVED
00	INITIAL RELEASE	06/11/13	JH
01	Add EPAD corner chamfer dimension.	10/22/13	JH
02	Add e2/2 dimension.	10/28/13	JH



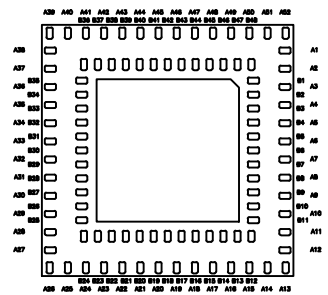
TOP VIEW



BOTTOM VIEW



SIDE VIEW




PIN ASSIGNMENT (BOTTOM VIEW)

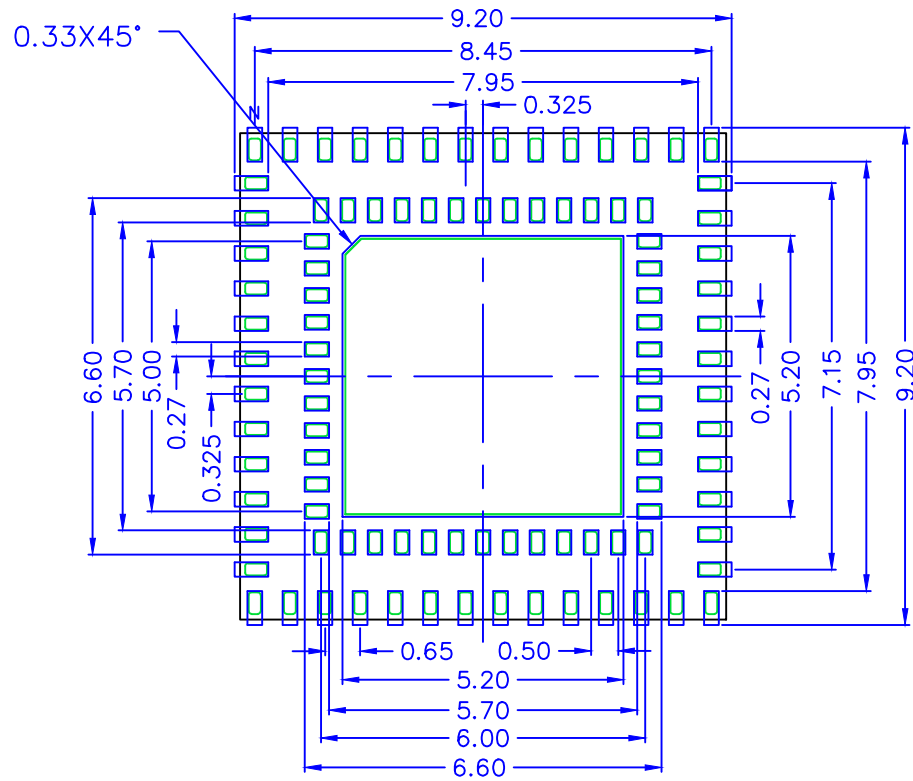
DIMENSIONS			
SYMBOL	MIN	NOM	MAX
A	0.80	0.83	0.90
A1	--	--	0.05
k	0.325 REF.		
k2	0.725 REF.		
b	0.17	0.22	0.27
L	0.35	0.40	0.45
L2	0.10 REF.		
e	0.50 BSC.		
e2	0.65 BSC.		
e2/2	0.325 BSC.		
D	9.00 BSC.		
D2	5.00	5.10	5.20
E	9.00 BSC.		
E2	5.00	5.10	5.20
C	0.30X45° Chamfer		
n	100		
nD	14		
nD2	13		
nE	12		
nE2	11		
TOLERANCE OF FORM & POSITION			
aaa	0.10		
bbb	0.10		
ccc	0.10		
ddd	0.05		
eee	0.08		
fff	0.10		

NOTES:

1. DIMENSIONING AND TOLERANCING PER ASME Y14.5M-1994.
2. ALL DIMENSIONS ARE IN MILLIMETERS.
3. 'n' IS THE TOTAL NUMBER OF I/O.
4. 'e' & 'e2' REPRESENT THE BASIC LAND TERMINAL PITCHES.
5. nD, nD2, nE, & nE2 REFER TO THE NUMBER OF TERMINALS ON D & E SIDE.

TOLERANCES UNLESS SPECIFIED DECIMAL ANGULAR XX± 0.05 ± XXX± 0.012 ± XXXX±		 6024 SILVER CREEK VALLEY ROAD, SAN JOSE, CA 95138 PHONE: (408) 284-8200 FAX: (408) 284-3572 www.IDT.com
APPROVALS DRAWN JH CHECKED	DATE 10/28/13	
TITLE NAG100 PACKAGE OUTLINE 9.0x9.0mm BODY 0.50mm/0.65mm PITCH		
SIZE C	DRAWING No. PSC-4464	REV 02
DO NOT SCALE DRAWING		SHEET 1 OF 2


REVISIONS			
REV	DESCRIPTION	DATE	APPROVED
00	INITIAL RELEASE	06/11/13	JH
01	Add EPAD corner chamfer dimension.	10/22/13	JH
02	Add e2/2 dimension.	10/28/13	JH



RECOMMENDED FOOTPRINT  
5.1 mm EPAD, N=100

NOTES:

1. ALL DIMENSION ARE IN mm. ANGLES IN DEGREES.
2. TOP DOWN VIEW. AS VIEWED ON PCB.
3. COMPONENT OUTLINE SHOW FOR REFERENCE IN GREEN.
4. LAND PATTERN IN BLUE. NSMD PATTERN ASSUMED.
5. LAND PATTERN RECOMMENDATION PER IPC-7351B GENERIC REQUIREMENT FOR SURFACE MOUNT DESIGN AND LAND PATTERN.

TOLERANCES UNLESS SPECIFIED		 www.IDT.com		6024 SILVER CREEK VALLEY ROAD, SAN JOSE, CA 95138 PHONE: (408) 284-8200 FAX: (408) 284-3572	
DECIMAL	ANGULAR				
XX± 0.05	±				
XXX± 0.012					
XXXX±					
APPROVALS	DATE	TITLE			
DRAWN JH	10/28/13	NAG100 PACKAGE OUTLINE 9.0x9.0mm BODY 0.50mm/0.65mm PITCH			
CHECKED		SIZE	DRAWING No.	REV	
		C	PSC-4464	02	
DO NOT SCALE DRAWING				SHEET 2 OF 2	