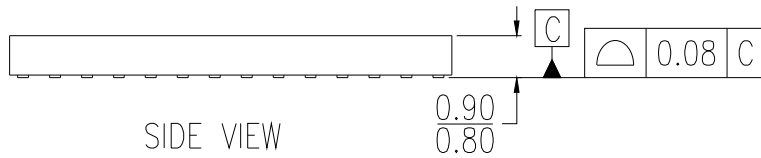


TOP VIEW

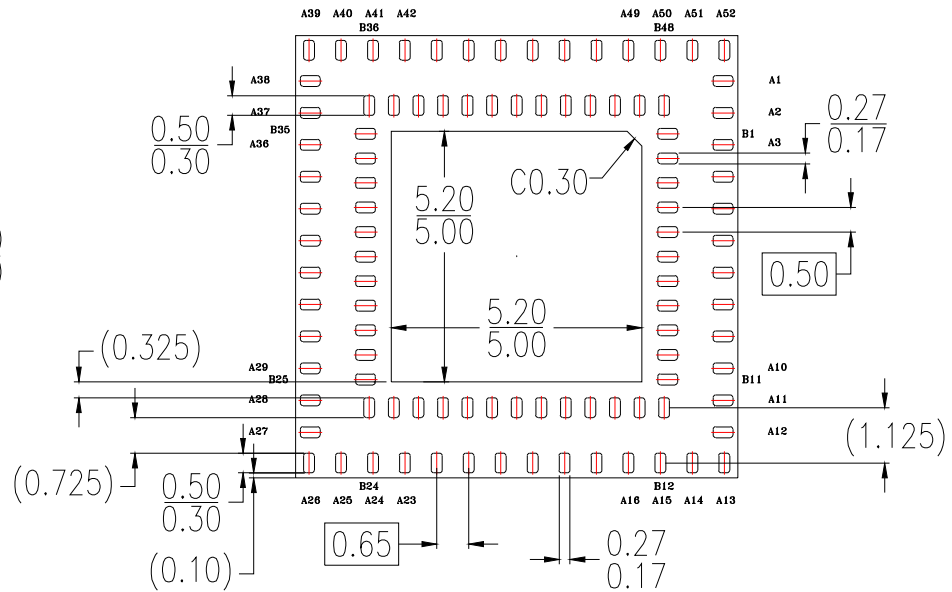


SIDE VIEW

NOTE: ALL DIMENSIONS IN MM.

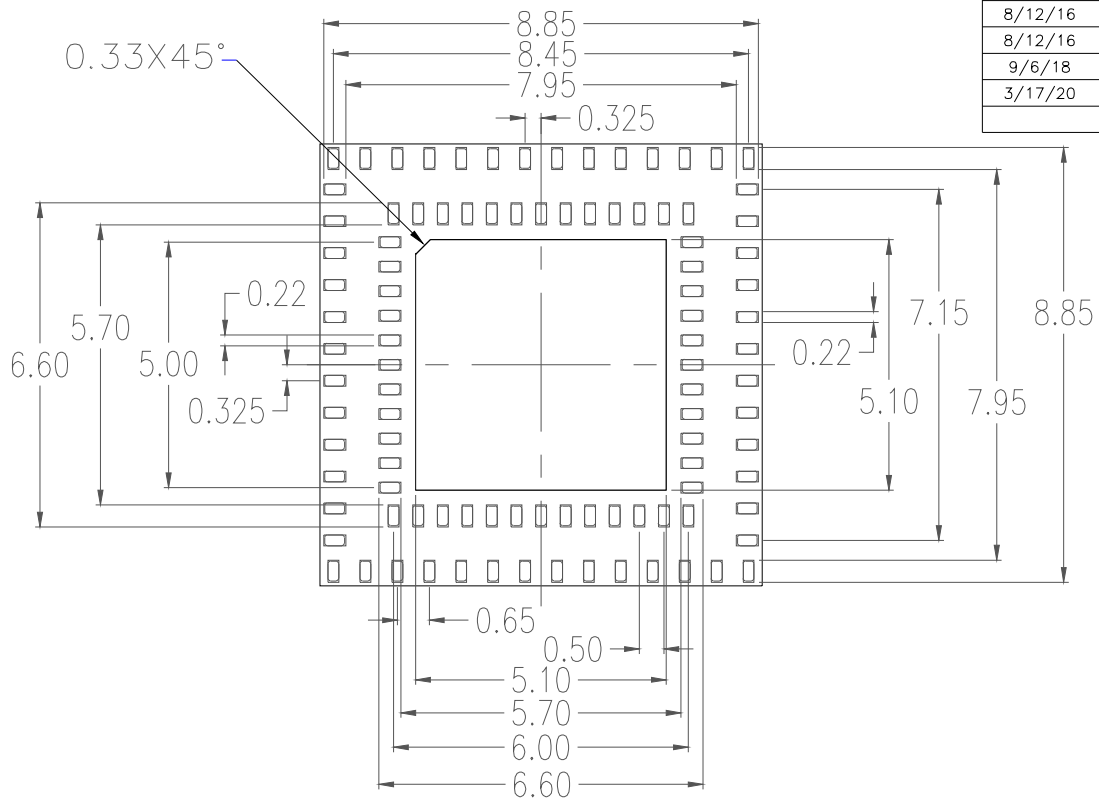
DATE	REV	DESCRIPTION	AUTHOR
7/16/14			
9/28/15	00	INITIAL RELEASE	J.HUA
8/12/16	01	UPDATE LAND PATTERN	J.HUA
8/12/16	02	ADD OPTION ON PACKAGE THICKNESS	J.HUA
9/6/18	03	REMOVE OPTION 2	J.HUA
3/17/20	04	ADD COPLANARITY	J.HUA

NOTE: REFER TO DCP FOR OFFICIAL RELEASE DATE



BOTTOM VIEW

TOLERANCES UNLESS SPECIFIED		6024 Silver Creek Valley Road San Jose CA 95138 PHONE: (408) 284-8200 FAX: (408) 284-8591
DECIMAL	ANGULAR	
X±	±1°	
XX±		
XXX±		
TITLE NHG100 Package Outline Drawing 9.0 x 9.0 x 0.85 mm Body 0.50/0.65mm Pitch Dual Row QFN		
SIZE	DRAWING No.	REV
C	PSC-4488	04
DO NOT SCALE DRAWING		SHEET 1 OF 2



DATE	REV	DESCRIPTION	AUTHOR
7/16/14			
9/28/15	00	INITIAL RELEASE	J.HUA
8/12/16	01	UPDATE LAND PATTERN	J.HUA
8/12/16	02	ADD OPTION ON PACKAGE THICKNESS	J.HUA
9/6/18	03	REMOVE OPTION 2	J.HUA
3/17/20	04	ADD COPLANARITY	J.HUA

NOTE: REFER TO DCP FOR OFFICIAL RELEASE DATE

RECOMMENDED LAND PATTERN DIMENSION

NOTES:

1. ALL DIMENSIONS ARE IN MM. ANGLES IN DEGREES.
2. TOP DOWN VIEW. AS VIEWED ON PCB.
3. LAND PATTERN RECOMMENDATION PER IPC-7351B GENERIC REQUIREMENT FOR SURFACE MOUNT DESIGN AND LAND PATTERN.

TOLERANCES UNLESS SPECIFIED		6024 Silver Creek Valley Road San Jose CA 95138	
DECIMAL	ANGULAR	RENESAS PHONE: (408) 284-8200	
X±	± 1°	FAX: (408) 284-8591	
XX±		TITLE NHG100 Package Outline Drawing	
XXX±		9.0 x 9.0 x 0.85 mm Body	
		0.50/0.65mm Pitch Dual Row GQFN	
SIZE	DRAWING No.	REV	
C	PSC-4488	04	
DO NOT SCALE DRAWING			SHEET 2 OF 2